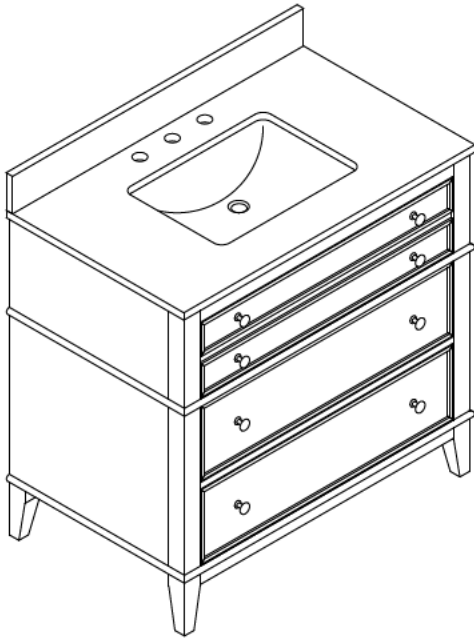


36"

BATHROOM VANITY SET

Colors/Finishes: OAK

Nominal Dimension: 36W*22D*35H inches

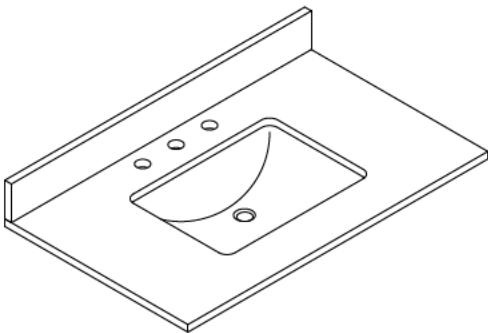


VANITY FEATURES:

1. Material: Solid poplar wood frame, high-quality veneer plywood.
2. Drawers: 3 Dovetail Drawers, DTC concealed soft-close sliders.
3. Hardware: Metal alloy
4. Installation Type: Freestanding
5. Built-in Adjusters: Adjustable height levelers
6. Vanity Top: High-quality quartz/marble with single undermount sink
7. Assemble required: No
8. Vanity top Included: Yes
9. Mirror Included: Optional
10. Medicine Cabinet Included: Optional

Contents

36"Vanity.....	PAGE2
36"Vanity Top.....	PAGE3
Vanity Installation.....	PAGE4



VANITY TOP FEATURES:

1. Material: Highly resilient, nonporous, scratch-and stain-resistant quartz, or natural Italian Carrera white marble.
2. Top Color: Carrera white
3. Sink: 1*20" undermount rectangle sink
4. Faucet Hole s: Top pre-drilled for 8" widespread faucet holes
5. Sink Certified: CUPC certified
6. Backsplash: 4" backsplash included
7. Faucet Included: No
8. Nominal Dimension(W*D*H): 36W*22D*0.79H inches

36"

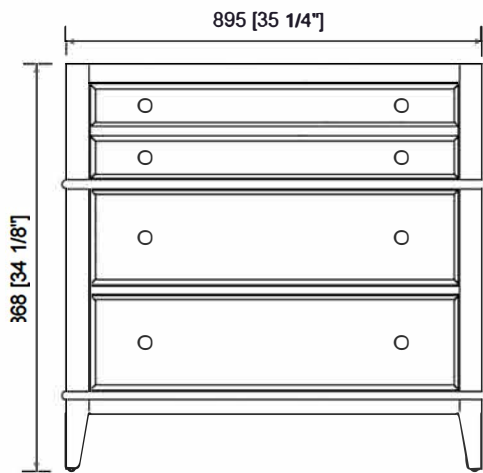
BATHROOM VANITY SET

COMPONENTS:

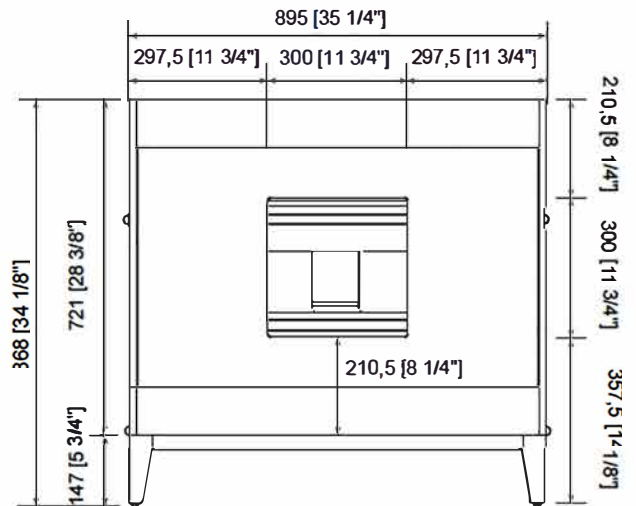
Vanity
Vanity Top
Wall Mirror
Medicine Cabinet

PRODUCT DIAGRAMS:

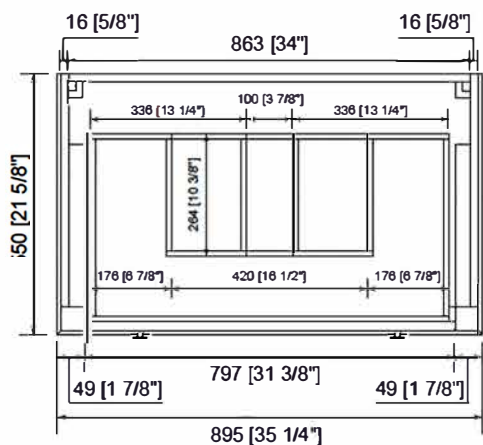
Front



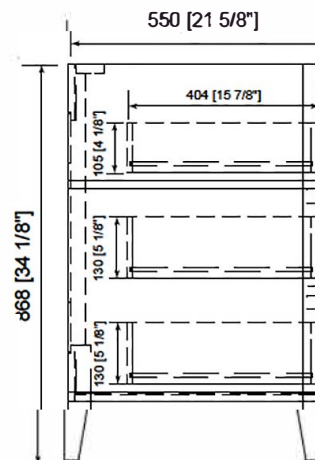
Back



Top



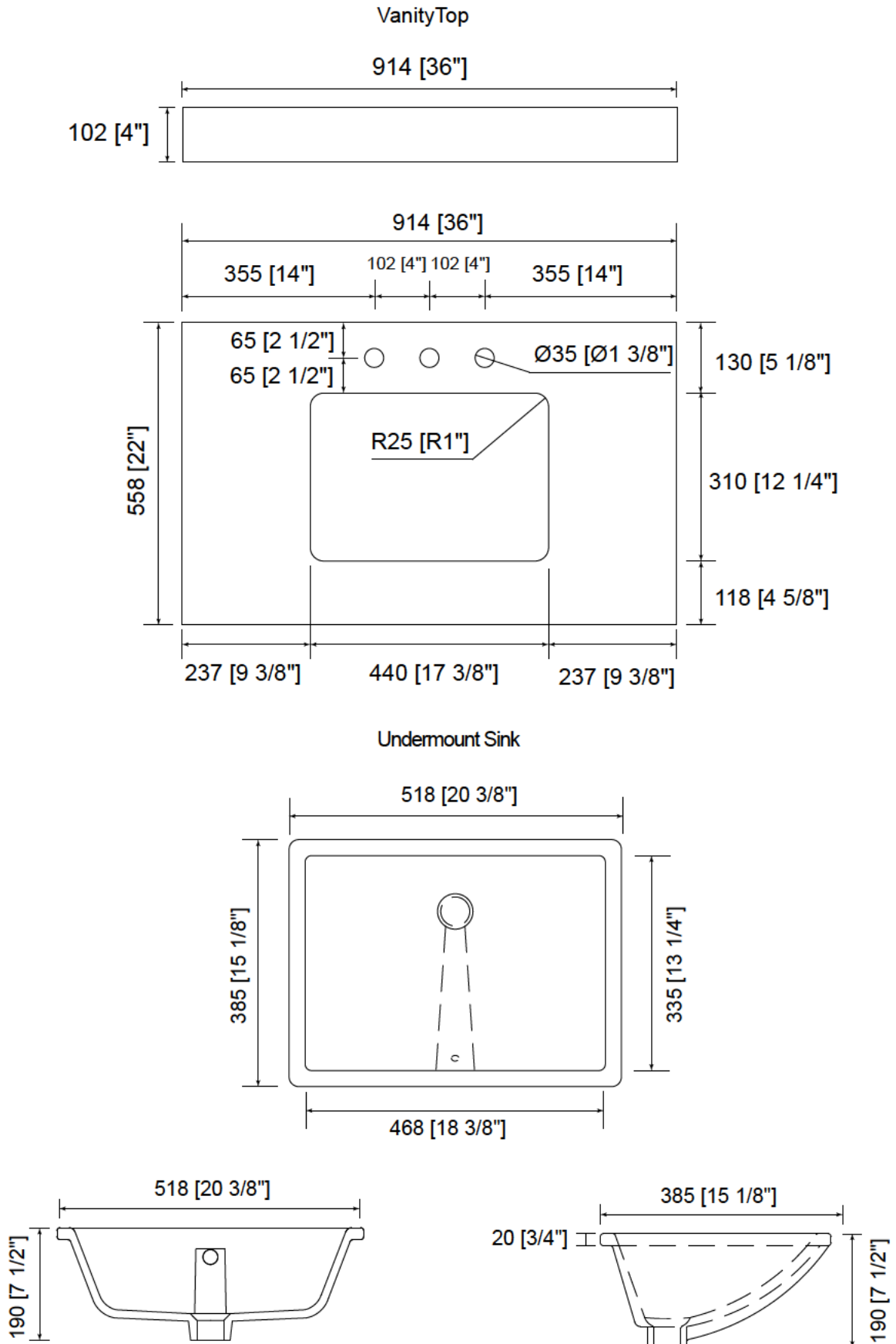
Side



36"

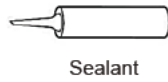
VANITY TOP

With rectangular undermount sink



Vanity Installation

SUGGESTED TOOLS AND MATERIALS:



Sealant



Measuring tape



Safety glasses



Rag

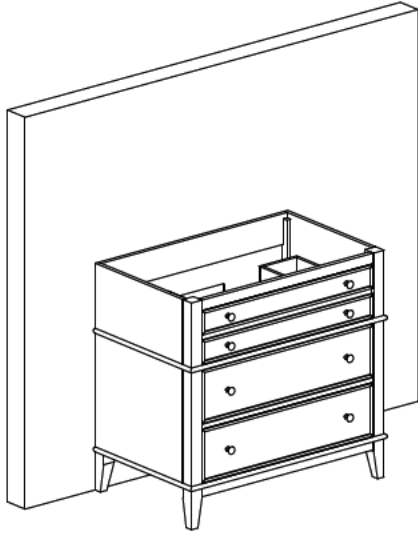


Level

INSTALLATION INSTRUCTLONS

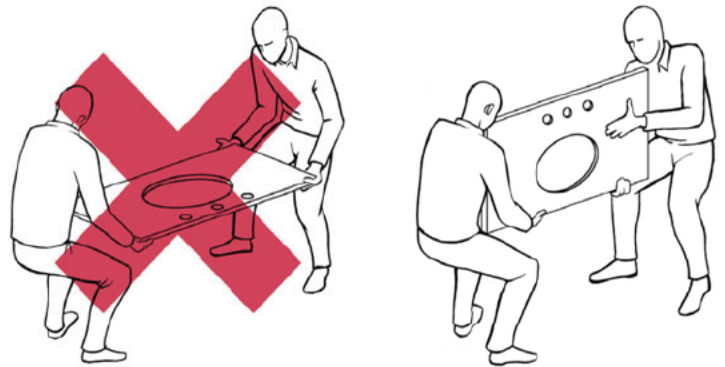
We recommend consulting a professional if you are unfamiliar with installing bathroom fixtures and plumbing .We accept no liability for any damage to the floor,plumbing, vanity cabinet,sink,counter top,or personal injury during installation.

1



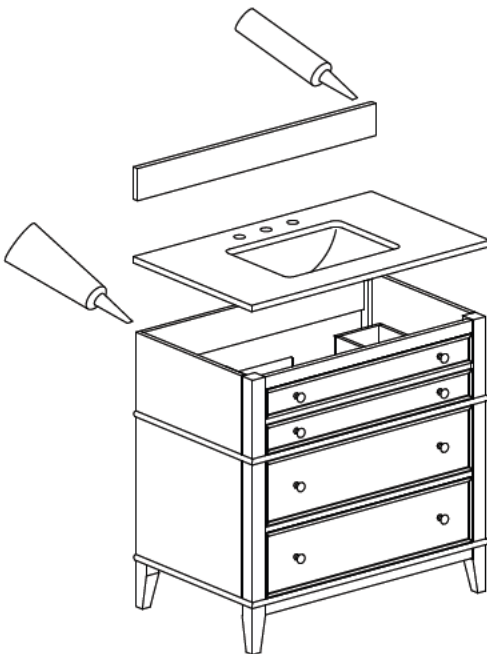
Remove vanity from box and examine vanity for any defects or damage.Carefully place vanity against wall.

2



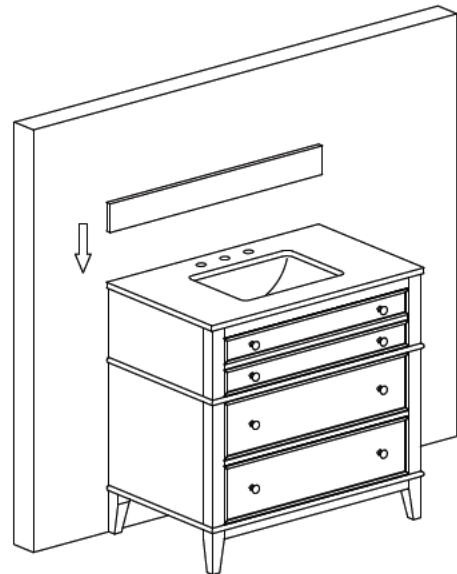
Always use a two man crew,a single person crew is much more likely to break or chip the stone top.

3



Apply bead of quality sealant evenly along the bottom of backsplash and the top of the vanity.

4



Finally,place the bottom side of back splash with sealant onto the counter top and check alignment of back splash.