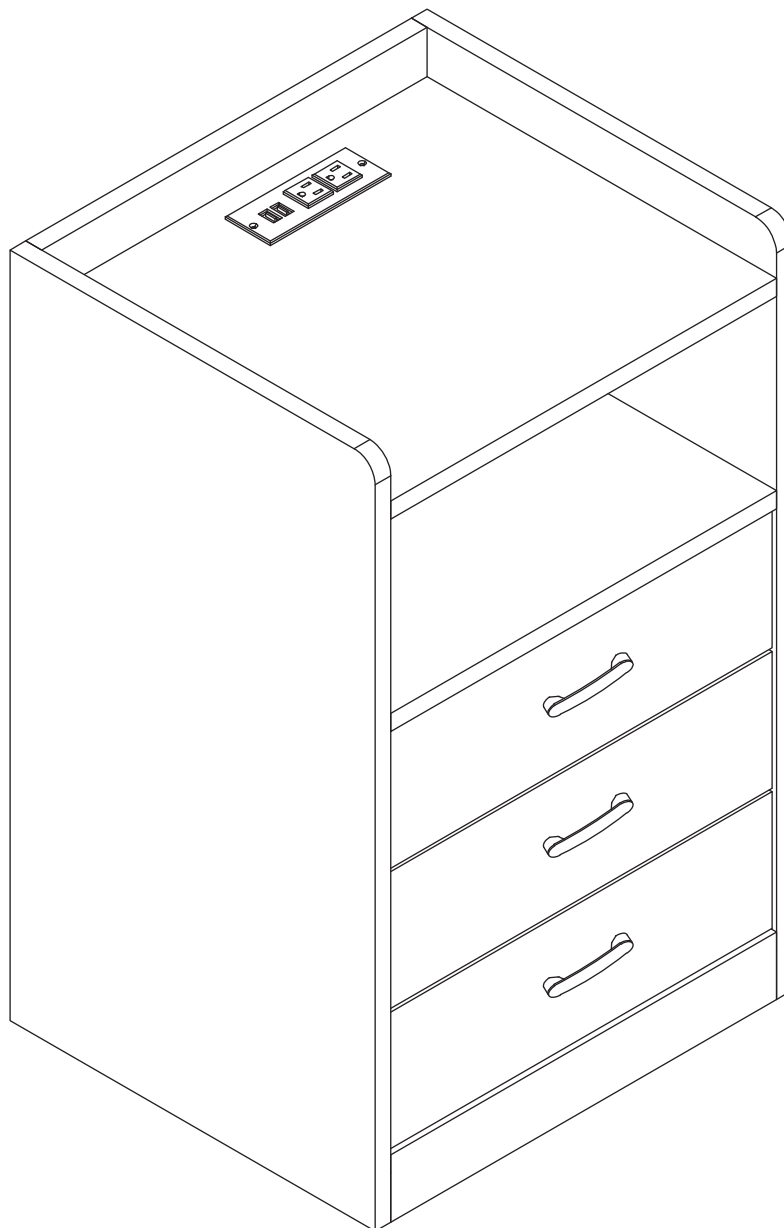


Makes life more comfortable

INSTRUCTION MANUAL



Makes life more comfortable

Makes life more comfortable

Makes life more comfortable

ABOUT US

...

We Do Care!

We, don't care only about designing and providing you with handy, ergonomic, and durable products.

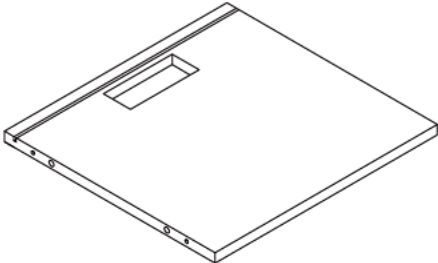
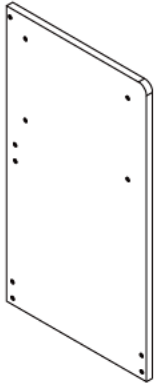
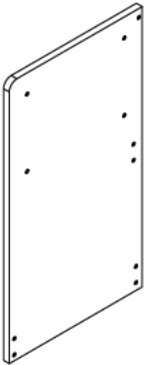
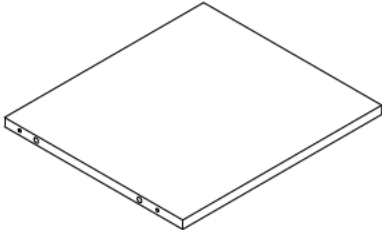
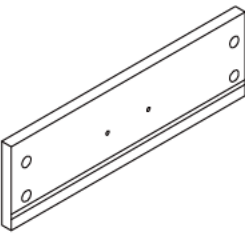
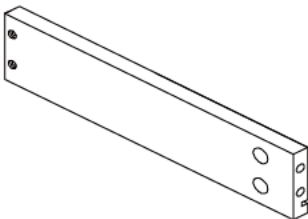
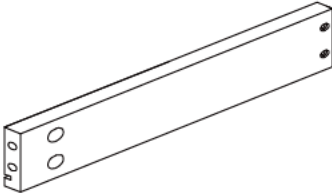
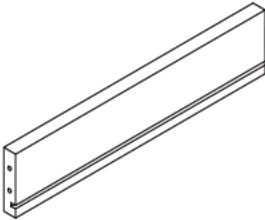
We also care a lot about your happiness, which is why we are always by your side in order to offer you a once-in-a-life time shopping experience!

MATTERS NEEDING ATTENTION

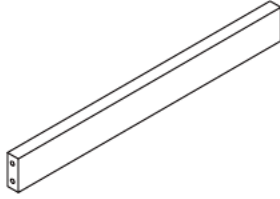
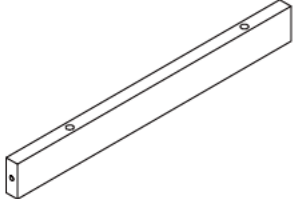
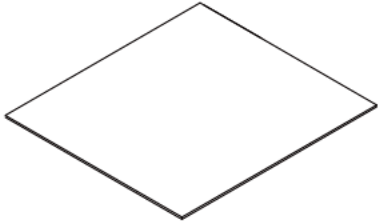
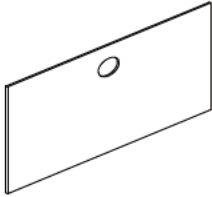
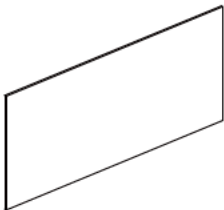
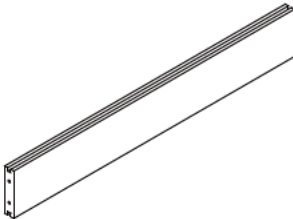
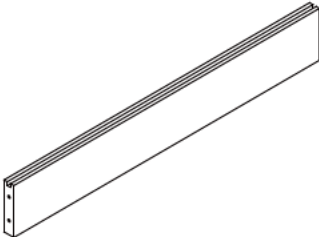
- You need a helper to finish the installation.
- Don't over-tighten the screws until all the parts are in place. Failure to follow the instructions may cause misalignment of the screws.
- DO NOT let children climb the product.
- To avoid suffocation danger, keep small parts and package materials away from children.
- Adult assembly required. Keep children away during the installation.
- Children should not use it without parents' supervision.
- You could use "corner guard" to protect children from getting hurt by the edges.
- If any parts were missing, broken or wrongly delivered, contact us immediately via email: sevice@superjare.com, we are here to help you.



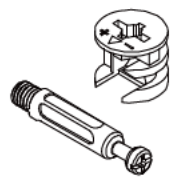


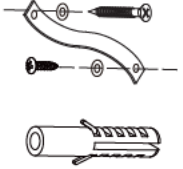



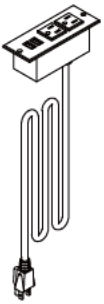
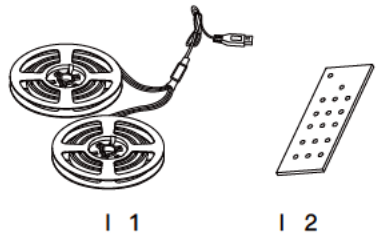
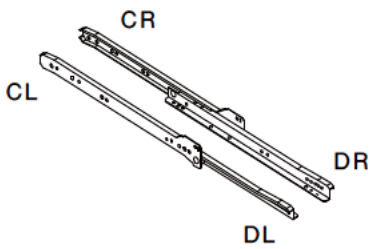


PART LIST

<p>1</p>  <p>x1</p>	<p>2</p>  <p>x1</p>
<p>3</p>  <p>x1</p>	<p>4</p>  <p>x1</p>
<p>5</p>  <p>x1</p>	<p>6</p>  <p>x1</p>
<p>7</p>  <p>x1</p>	<p>8</p>  <p>x1</p>

PART LIST

<p>9 x1</p> 	<p>10 x1</p> 
<p>11 x3</p> 	<p>12 x1</p> 
<p>13 x1</p> 	<p>14 x1</p> 
<p>15 x1</p> 	

PART LIST

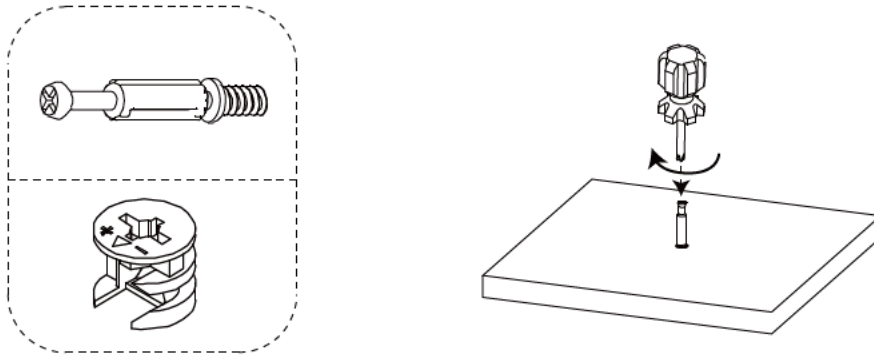
A	B	C	D	E	F
	 <p>M6x30mm</p>	 <p>M3.5x12mm</p>		 <p>M4x30mm</p>	 <p>II</p>
x12+1	x10+1	x26+1	x1+1	x34+1	x3
G	x22+1		H	x1	
					
I	x1		J	x3	
 <p>I 1 I 2</p>		 <p>CR CL DR DL</p>			
K	x1		L	x1	
					

ASSEMBLY INSTRUCTION

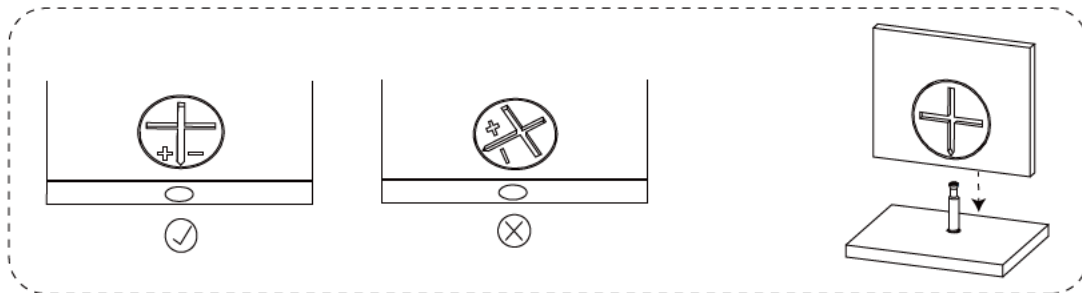
How to connect screw S1.

Note: Do not tighten the screws first, otherwise the screw hole position may not align.

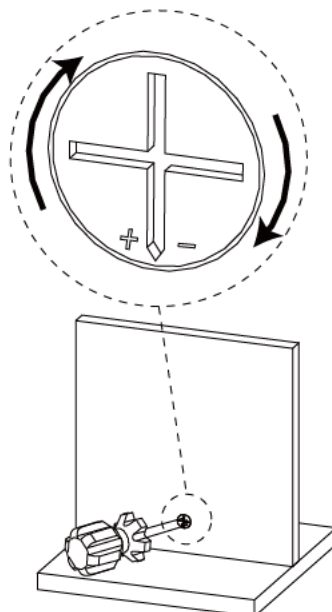
- Step 1
Tighten it.



- Step 2
Pay attention to the direction of the opening.



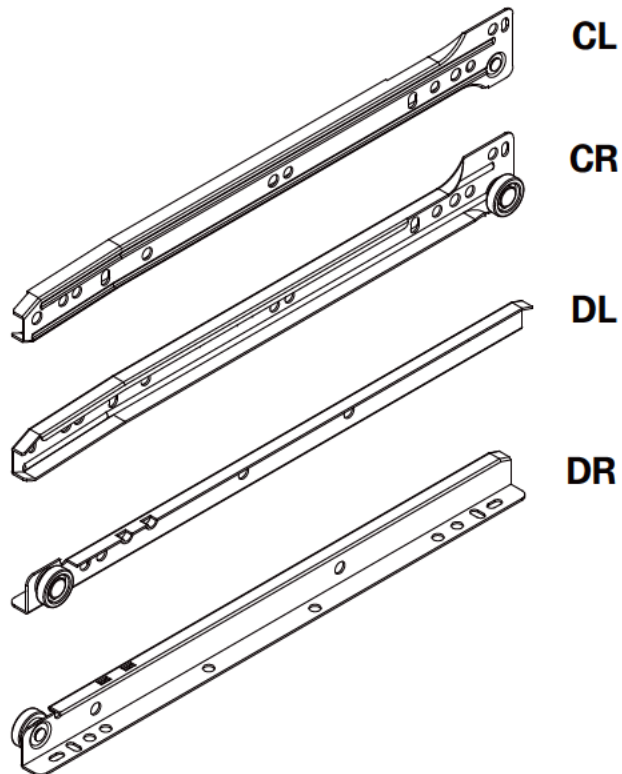
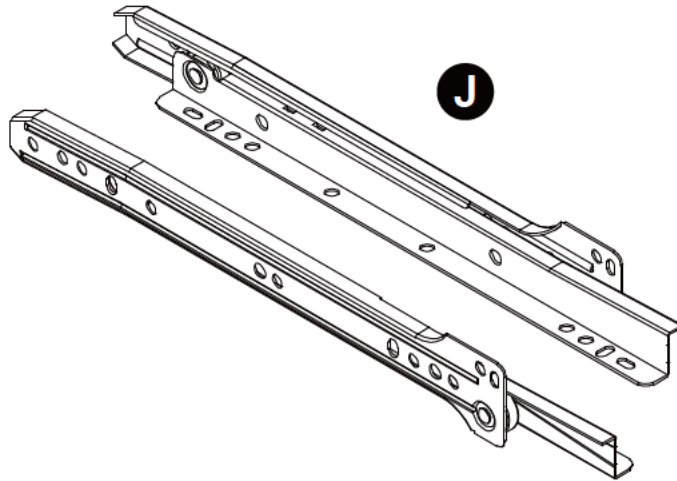
- Step 3
Rotate in the direction shown.



ASSEMBLY INSTRUCTION

1

Note: Split J into four parts.

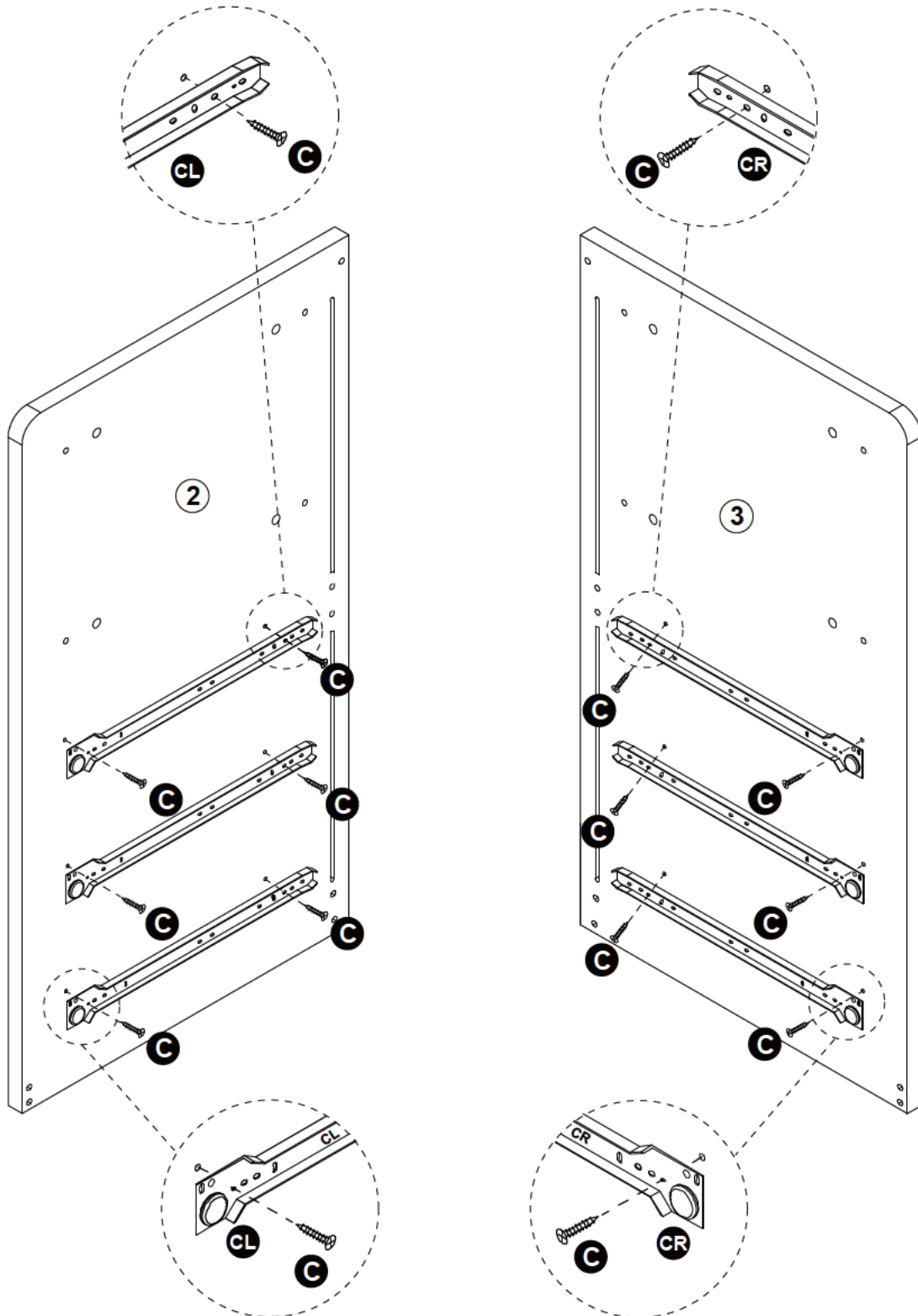


x3

ASSEMBLY INSTRUCTION

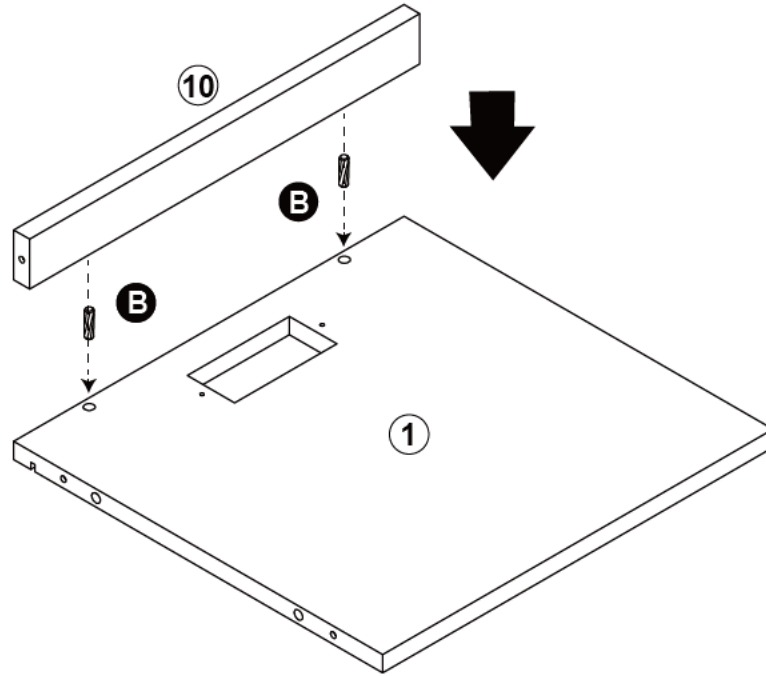
2

Note: Assemble J according to the hole position.



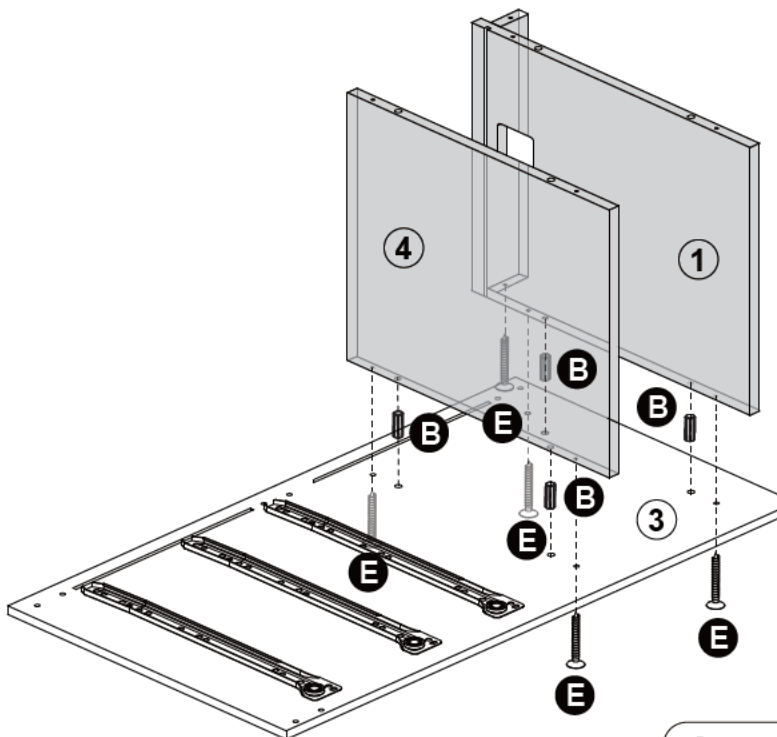
ASSEMBLY INSTRUCTION

3



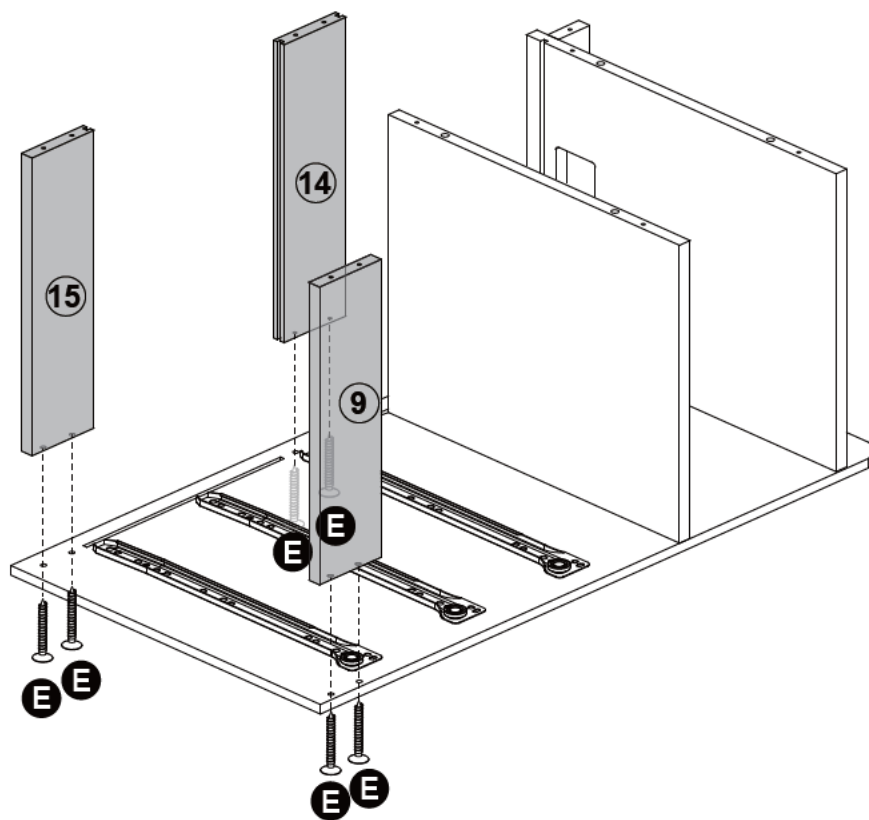
4

Note: Please note the installation direction of plates 1, 4 and 3, and keep the sides of the three boards flush.

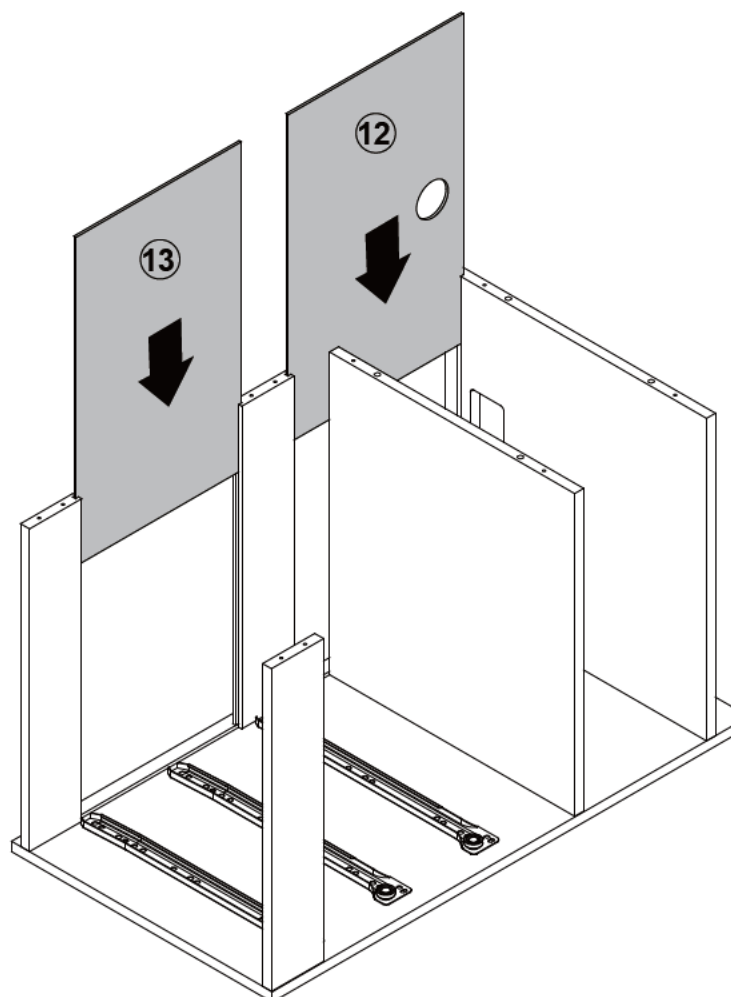


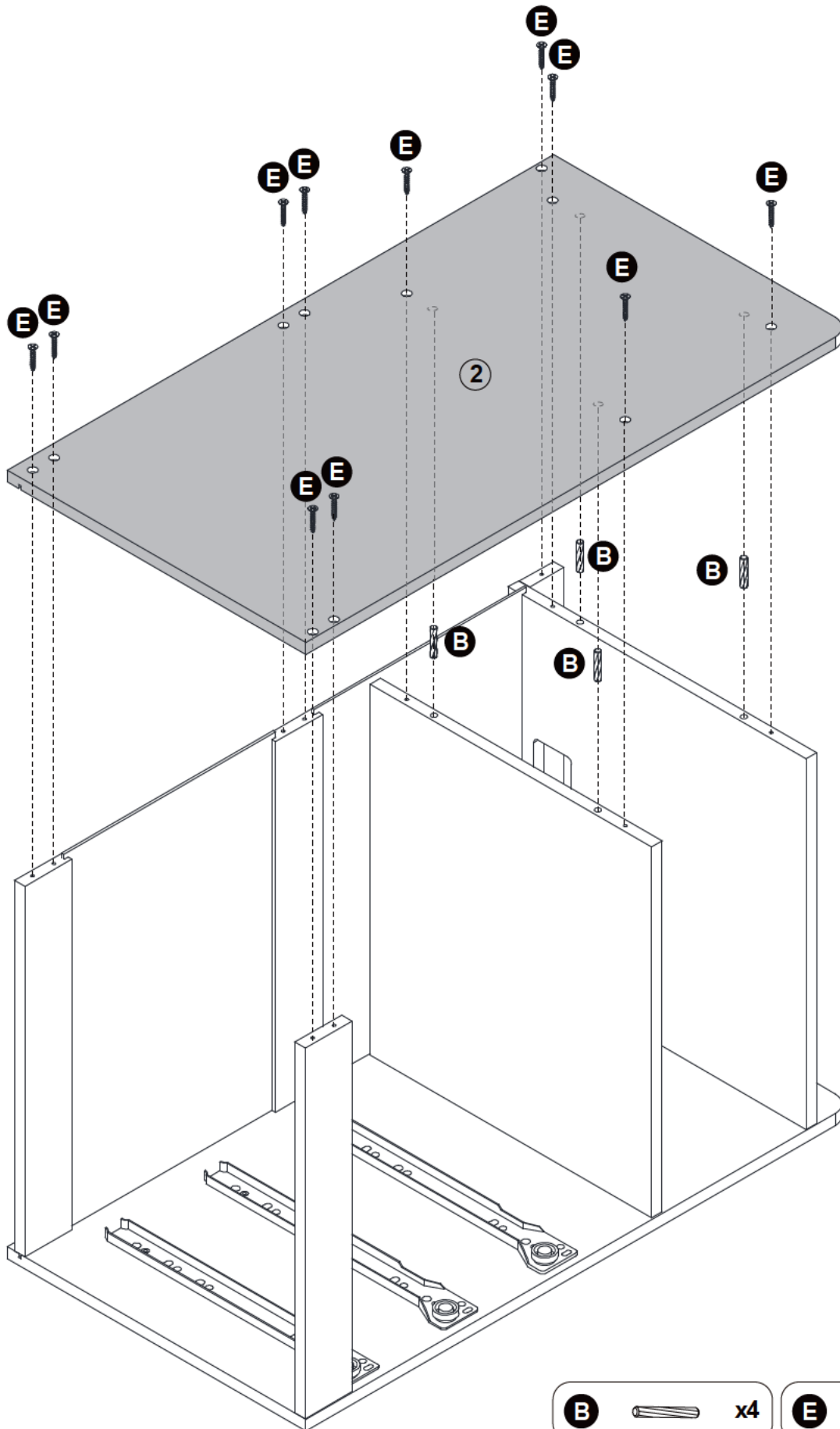
ASSEMBLY INSTRUCTION

5



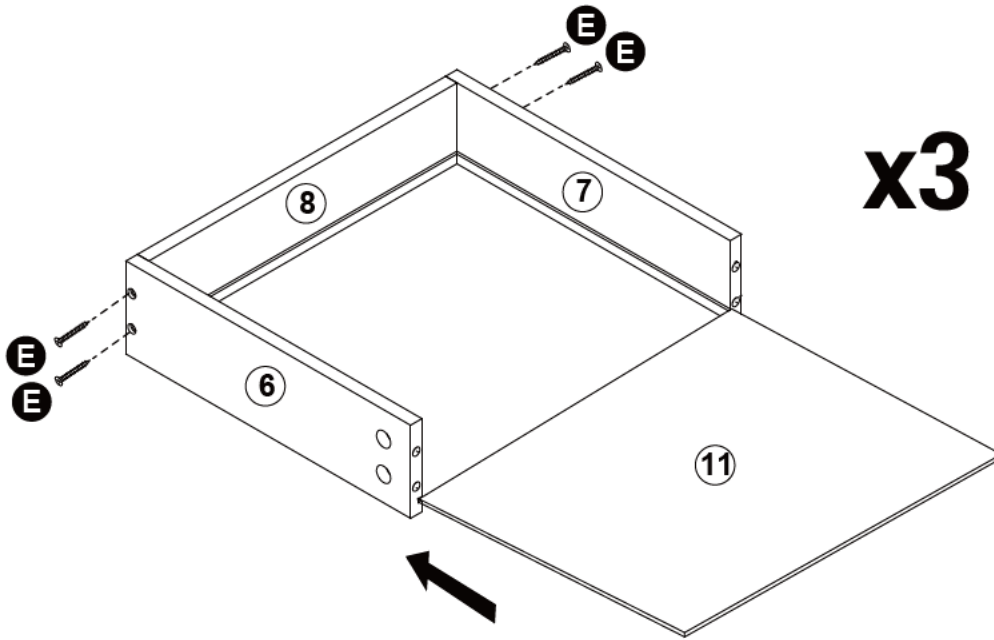
6





ASSEMBLY INSTRUCTION

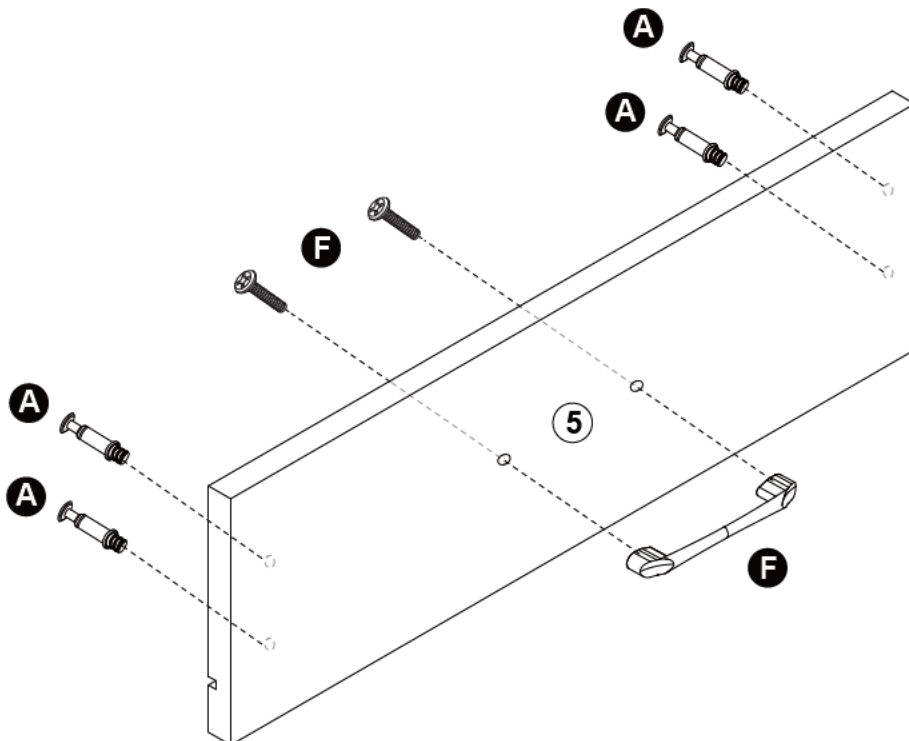
8



x3



9

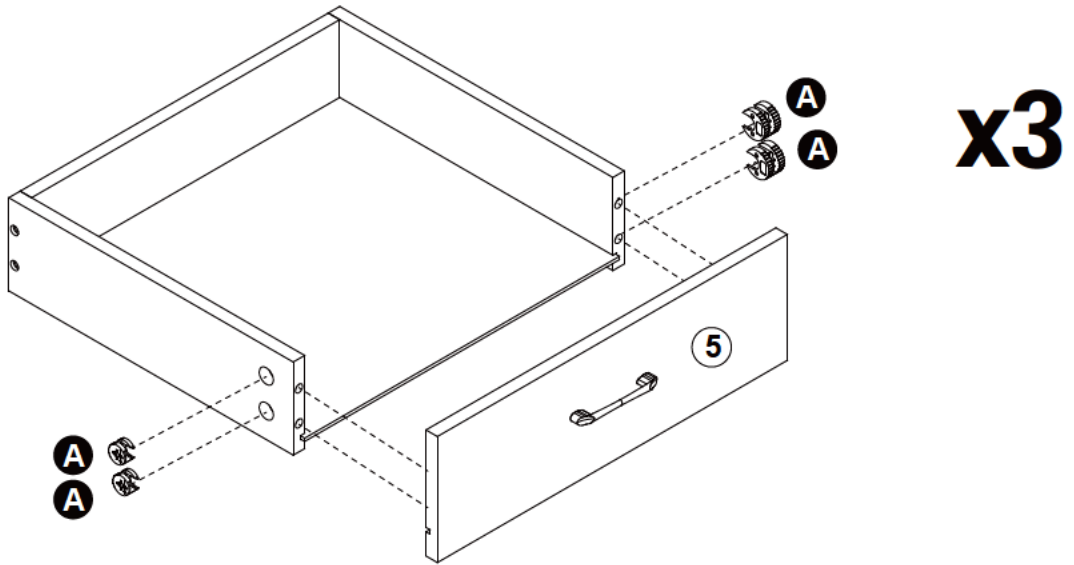


x3



ASSEMBLY INSTRUCTION

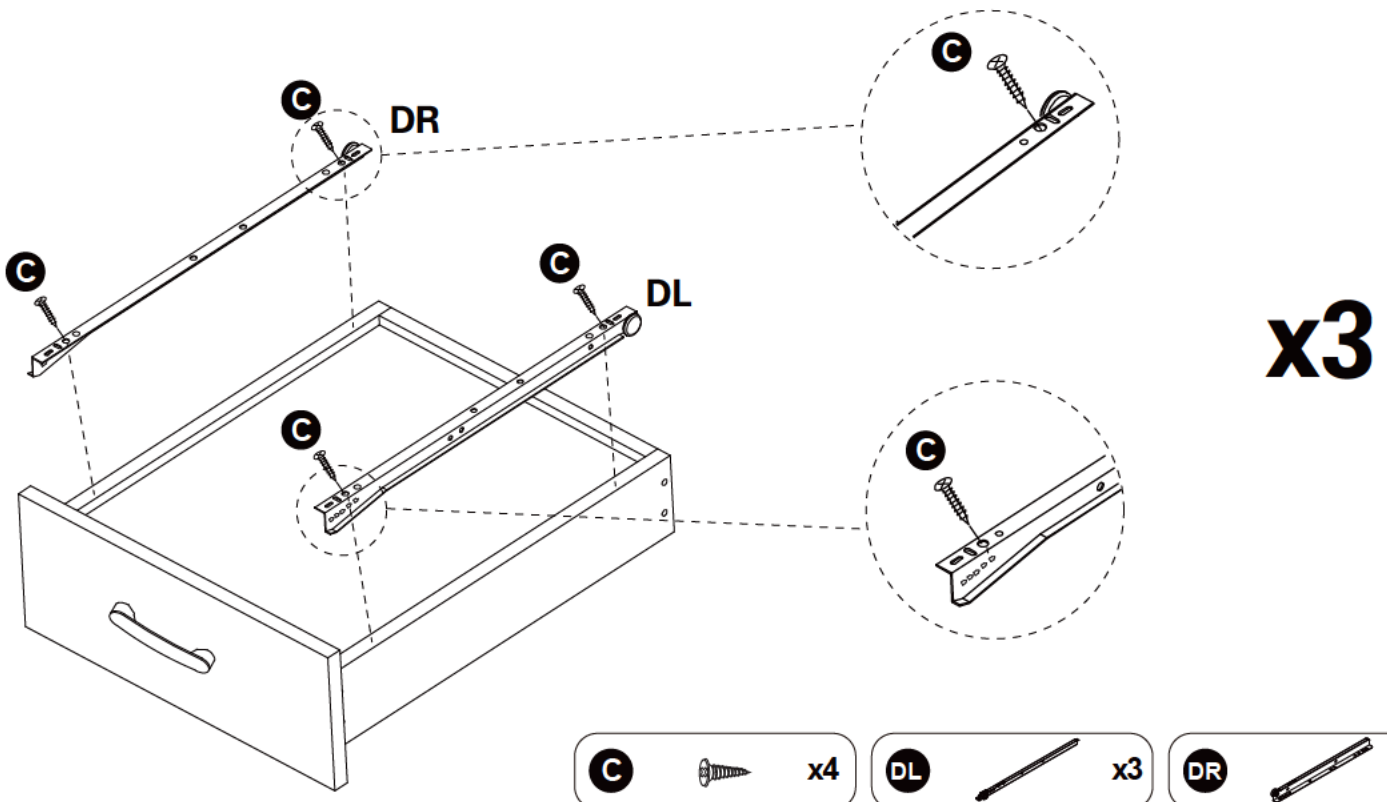
10



A  x12

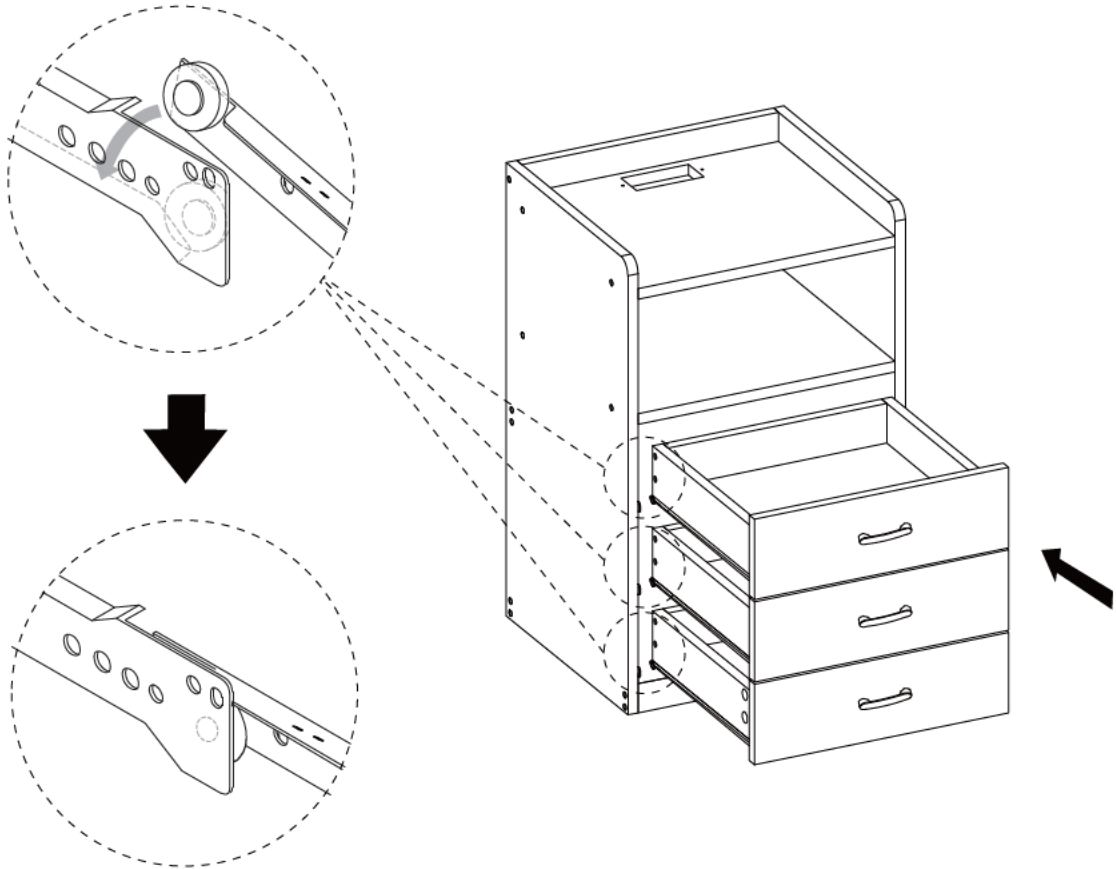
11

Note: Assemble J according to the hole position.

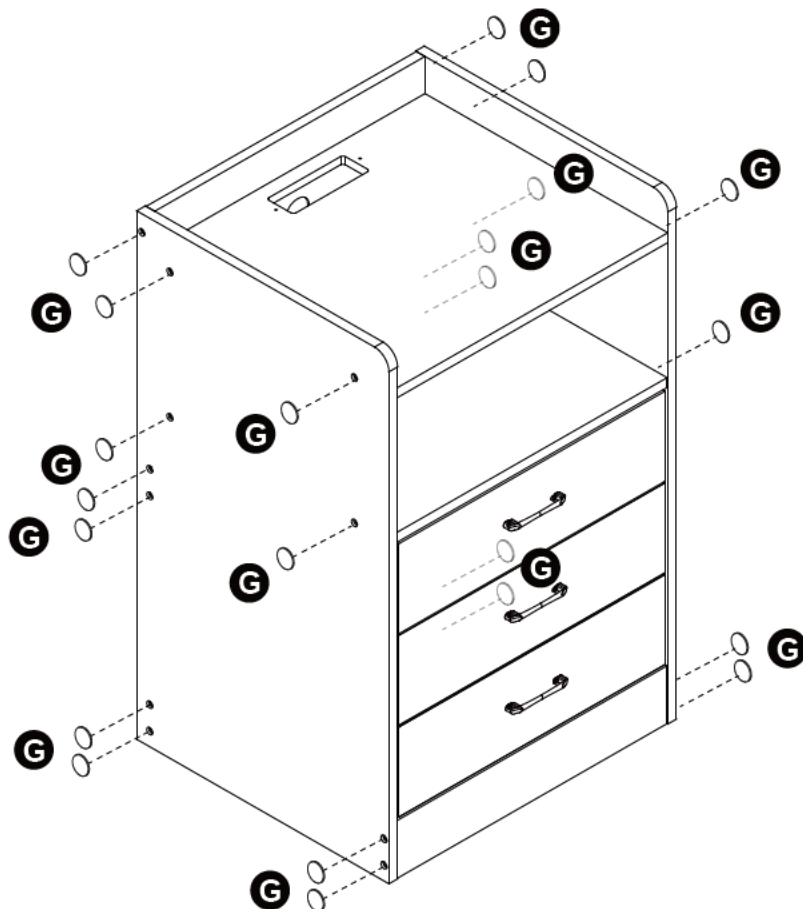


ASSEMBLY INSTRUCTION

12



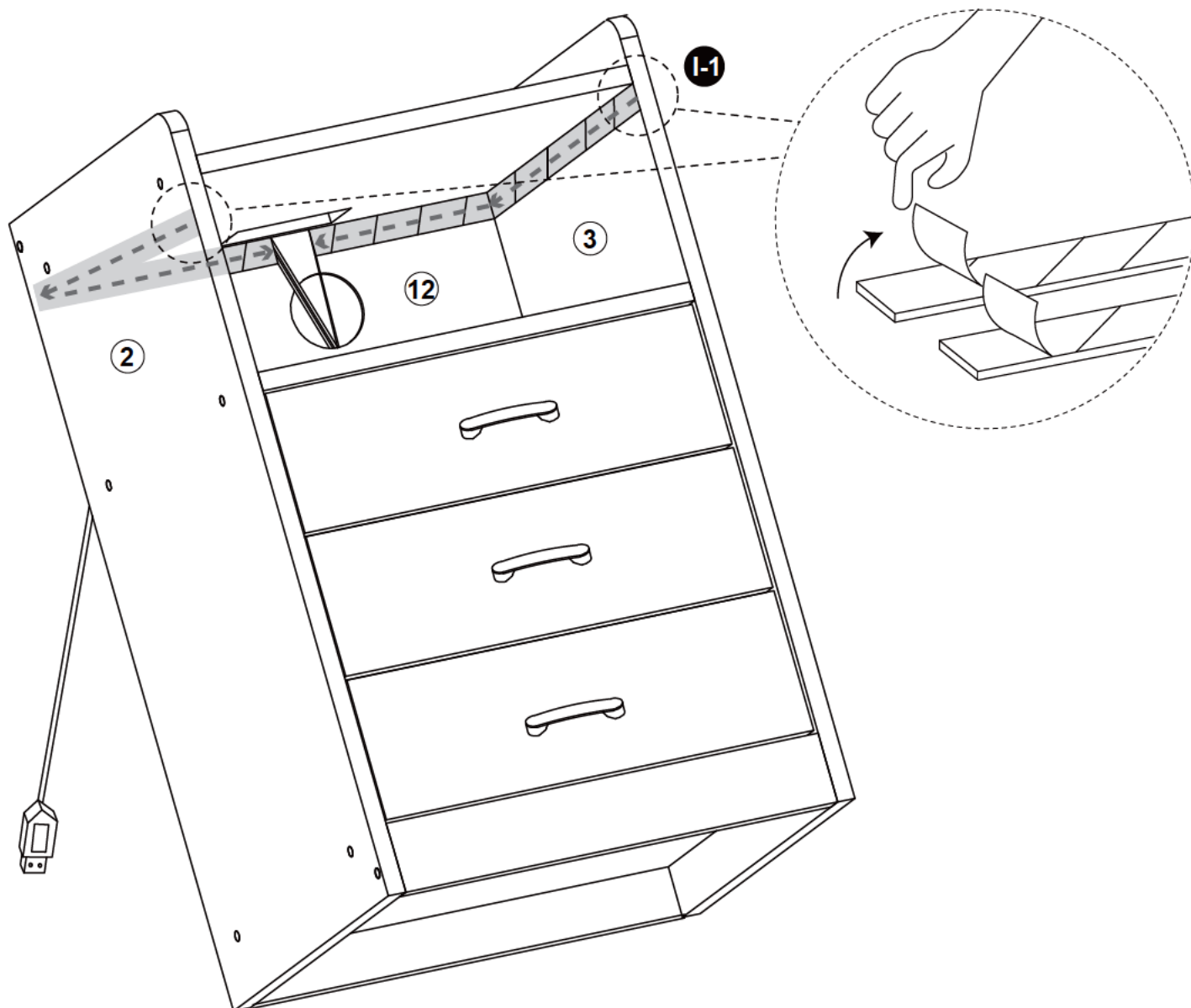
13



ASSEMBLY INSTRUCTION

14

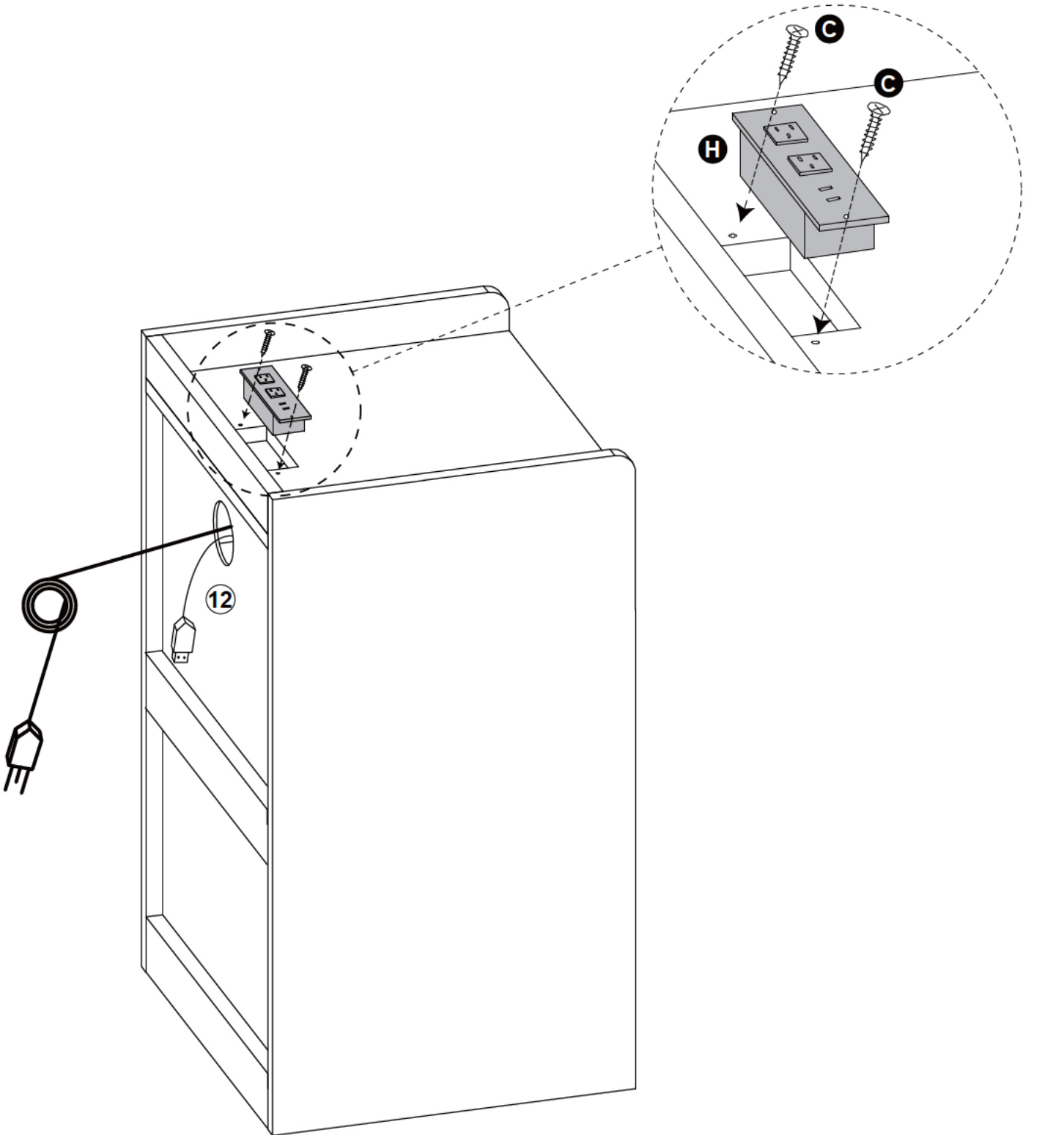
Note: Paste I-1 through the hole on the back of 12.
Then paste I-1 onto the internal surfaces of 3 and 12 and 2.



ASSEMBLY INSTRUCTION

16

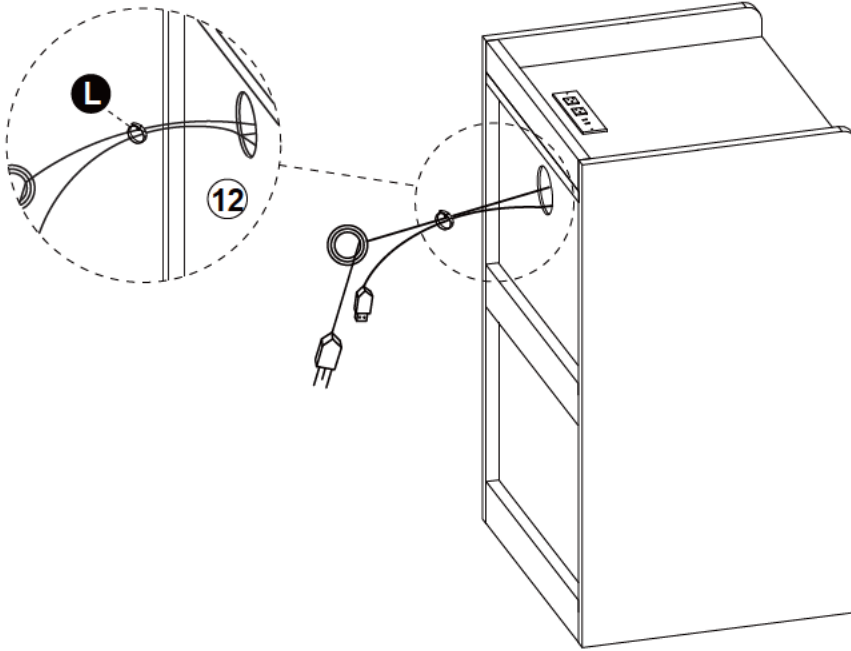
Note: The line of H goes through the hole in 12.



ASSEMBLY INSTRUCTION

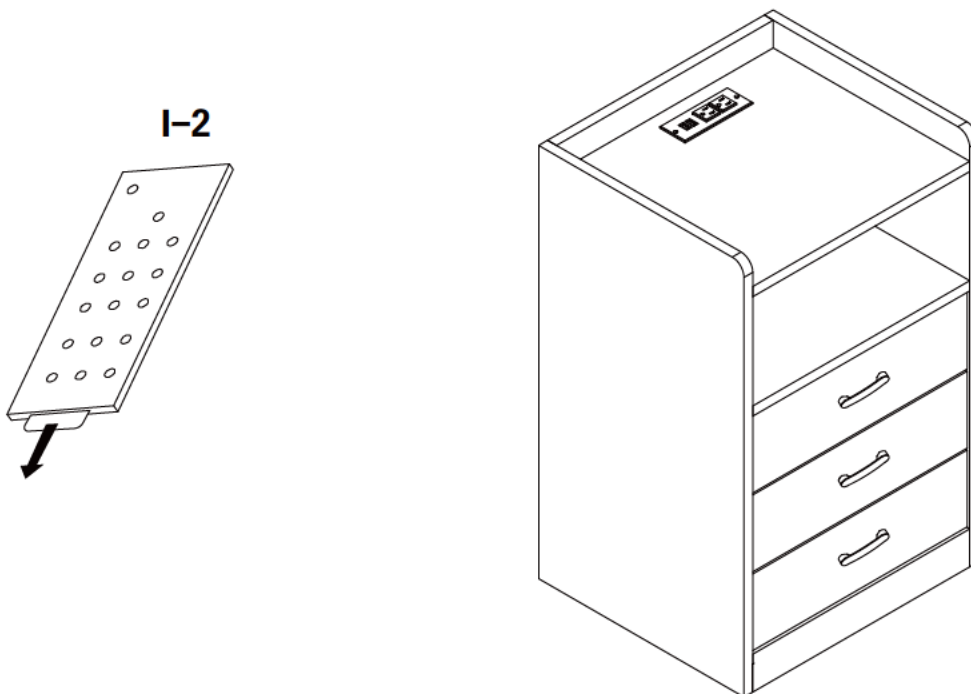
18

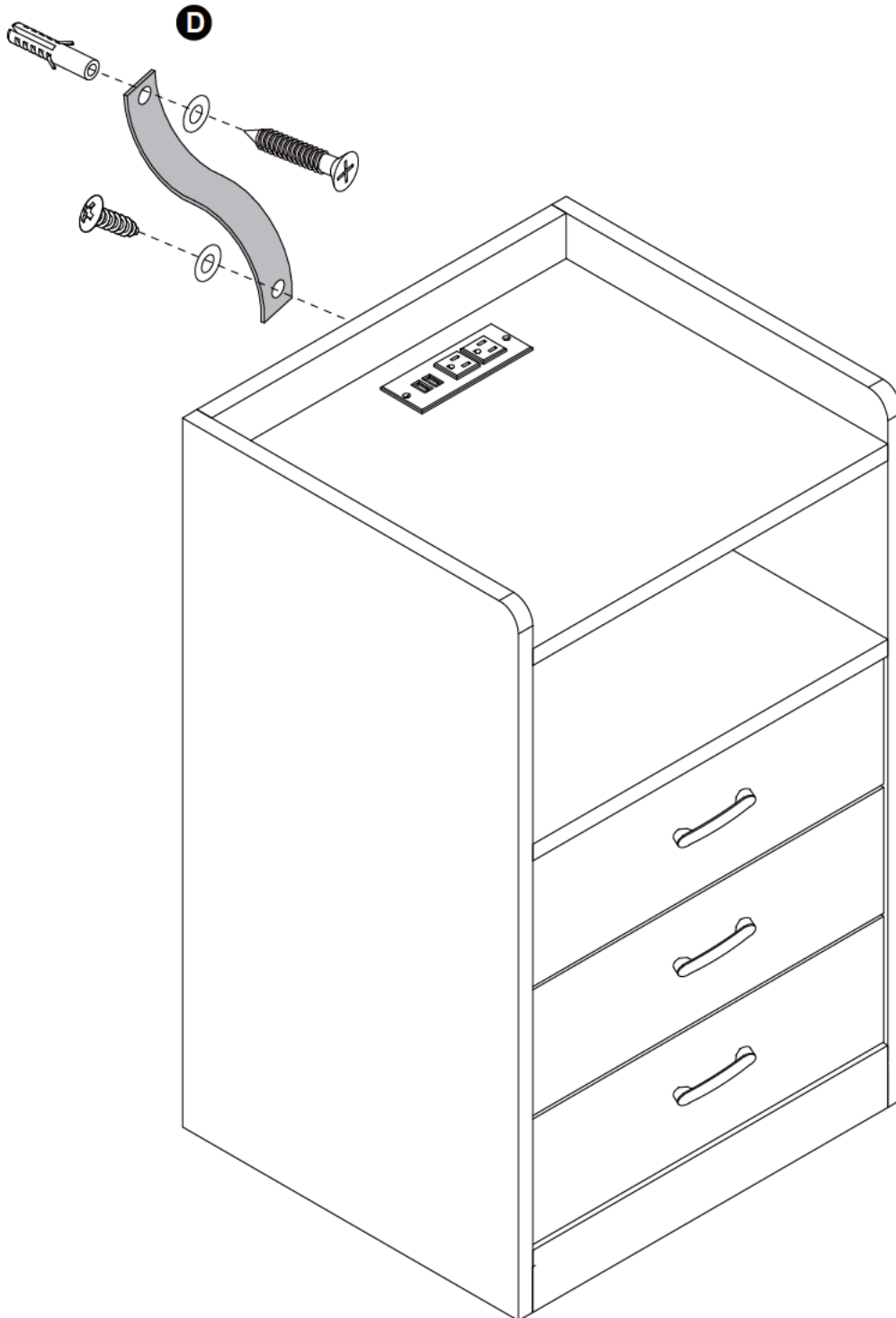
Note: Bind the wire harness passing through the plate 12 with L.



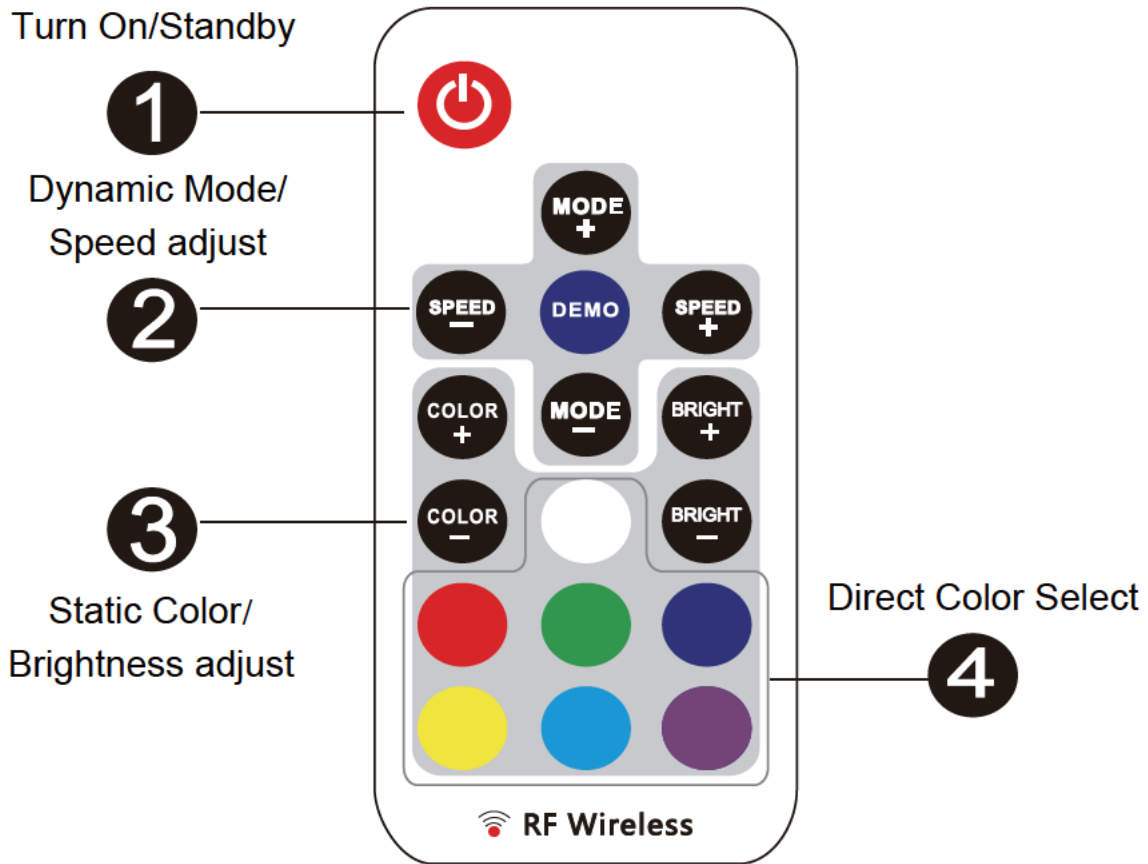
19

Note: Please take out plastic sheet before using remote control.
Finally, plug H in the power supply, I-2 can be adjusted.





ASSEMBLY INSTRUCTION



Specification

Dynamic mode	22 modes
Static Color	20 colors
PWM Grade	256 levels
Brightness Grade	5 levels
Speed Grade	10 levels
Demo mode	Yes
Direct Color Select	Yes
Output Color Switchable	Yes, 6 options
Working Voltage	DC 5~24V
Output Current	3x4A peak, 3x2A constant
Remote frequency	433.92MHz

HELP CENTER

**Please contact us first,
if you have any problem!**

WARNINGS

Seller does not assume any and all responsibility or liability from personal injury, property damage or loss, whether direct or indirect, or incidental, resulting from the incorrect instruction, improper use, inadequate maintenance, or neglect of this product.