



INSTALLATION GUIDE

MODEL NUMBER

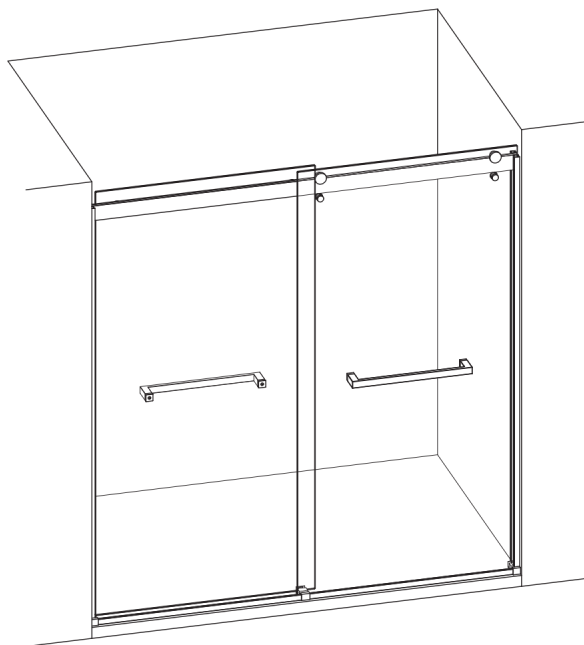
TD222-6060

CAUTION: To reduce the risk of breakage, keep corner protectors on glass while installing.
Keep corner protectors for use in case future adjustments are needed.
Consult your local plumbing codes prior to installation.

Recommended Clearance Heights for Installation:
62 inches (157.5cm)

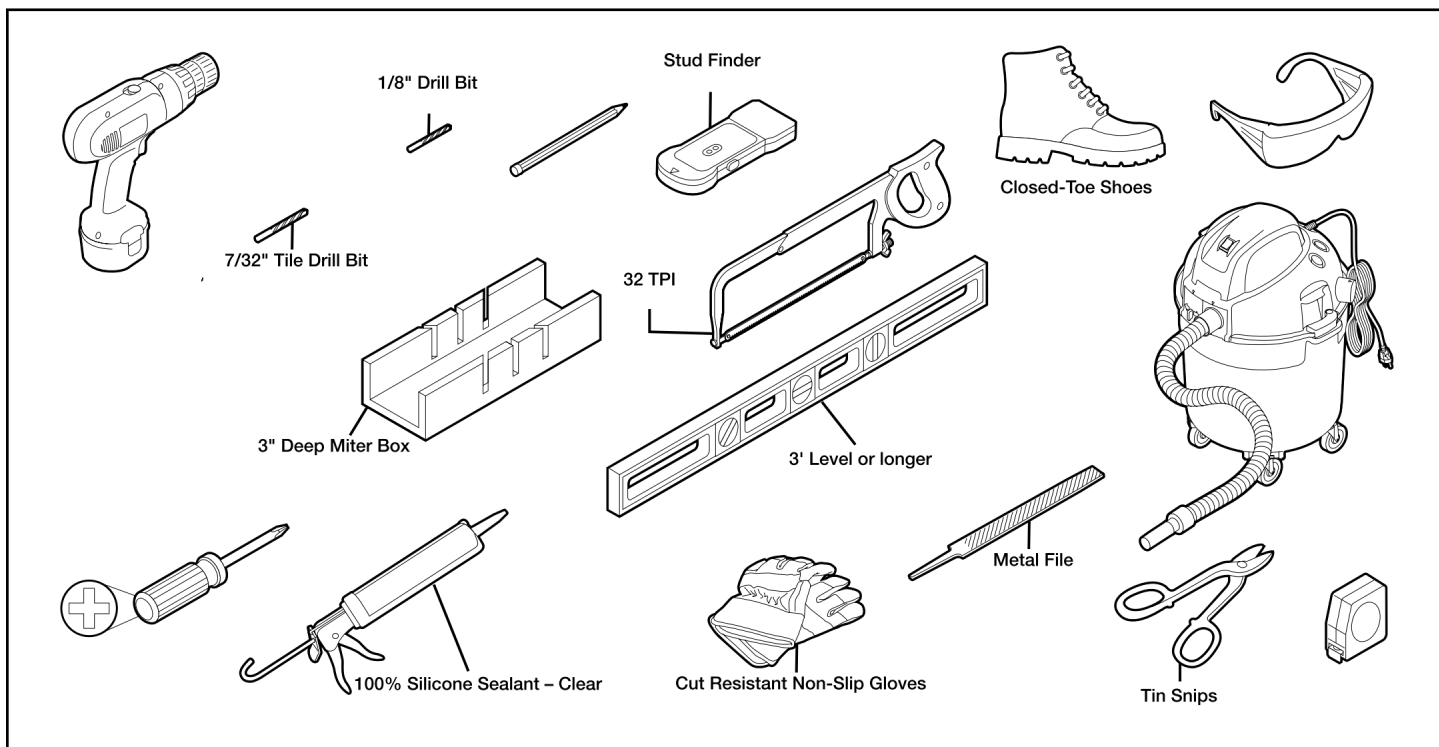
Recommended Width for Installation:

60-inch enclosure:
54-3/8 - 60 inches (138.1- 152.4 cm)



60-inch Enclosure

Tools Required (Not Included)



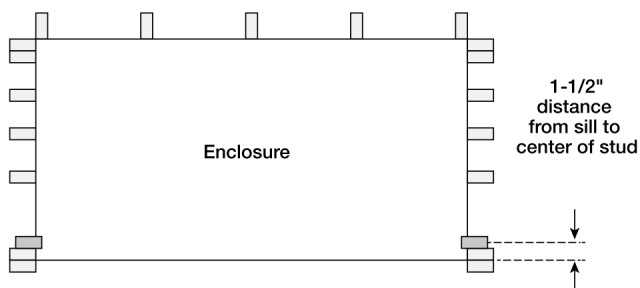
IMPORTANT: To install your shower door unit, you must: (1) completely read all instructions, warnings, cautions, and care and maintenance information; and (2) purchase the correct water supply components.

CAUTION: Failure to install this product according to installation instructions may result in personal injury, property damage, or product failure, and may void the warranty.

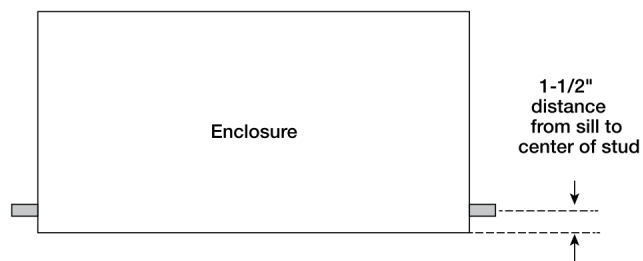
CAUTION: When cutting or drilling metal components or when handling glass, to reduce the risk of personal injury, protective eye wear, gloves, and closed-toe shoes are required.

STUD LAYOUT

Wall Surround



Tile Surround



CAUTION: Studs must be in this location on each side of door installation. Other stud locations are not critical.

BEFORE YOU START

- ⚠ CAUTION:** Risk of injury or product damage. During installation tempered glass should not come in direct contact with metal parts or hard surfaces (such as tile/concrete flooring) or it may shatter. Gaskets and bushings must always be used between glass and metal.
- ⚠ CAUTION:** Risk of injury or product damage. **DO NOT** touch the edges of tempered glass with tools. **DO NOT** attempt to cut tempered glass or it will shatter.
- ⚠ CAUTION:** Keep the corner protectors on the glass during unpacking and installation. **DO NOT** remove them until indicated in instructions steps.
- ⚠ CAUTION:** Once installed, glass panels must be clear of all shower environment obstructions to avoid risk of personal injury, property damage, or product failure. Ensure appropriate clearances exist before beginning the installation process.
- ⚠ CAUTION:** Door installation requires at least two people.
- ⚠ NOTICE:** Tempered safety glass is stronger than normal glass but is not unbreakable. A scratch to the glass or contact with a hard surface (such as a screw head or tile/concrete floor) can cause it to break or weaken. This could, immediately or even at a later time, cause the glass panel to shatter into many small pieces without apparent cause. When it does break, it loudly explodes into thousands of smaller pieces (the smaller pieces reduce the risk of personal injury).

NOTE:

- Shower opening dimensions:
 - **60" Tub/shower:** 54-3/8" minimum - 60" maximum
- Walls must be within 3/8" of plumb (vertical). Dimensions at top and bottom of shower should be within 3/8" of each other.
- Cover tub or shower drain with rag or tape to avoid loss of small parts.
- Follow the silicone manufacturer's instructions for application and curing time.

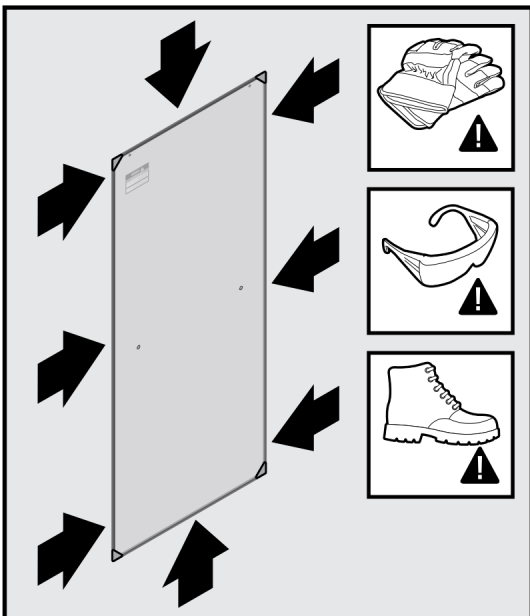
CARE AND CLEANING

For regular cleaning use **ONLY** mild detergents or warm, soapy water. Use **ONLY** non-abrasive cloth or sponge. **ALWAYS** rinse surfaces after cleaning. Before cleaning this product with cleaning products, test a small, inconspicuous area.

CAUTION: Manufacturer does not recommend the use of cleaning products that contain any of the following chemicals. Use of products containing these chemicals can cause the products to discolor and will void the warranty.

- Naphtha
- Hydrogen Peroxide Solution (common household peroxide)
- Toluene
- Ethyl Acetate
- Lye (common in drain cleaner)
- Acetone

For optimal maintenance it is recommended that the glass panels be squeegeed on a regular basis after the shower is used.

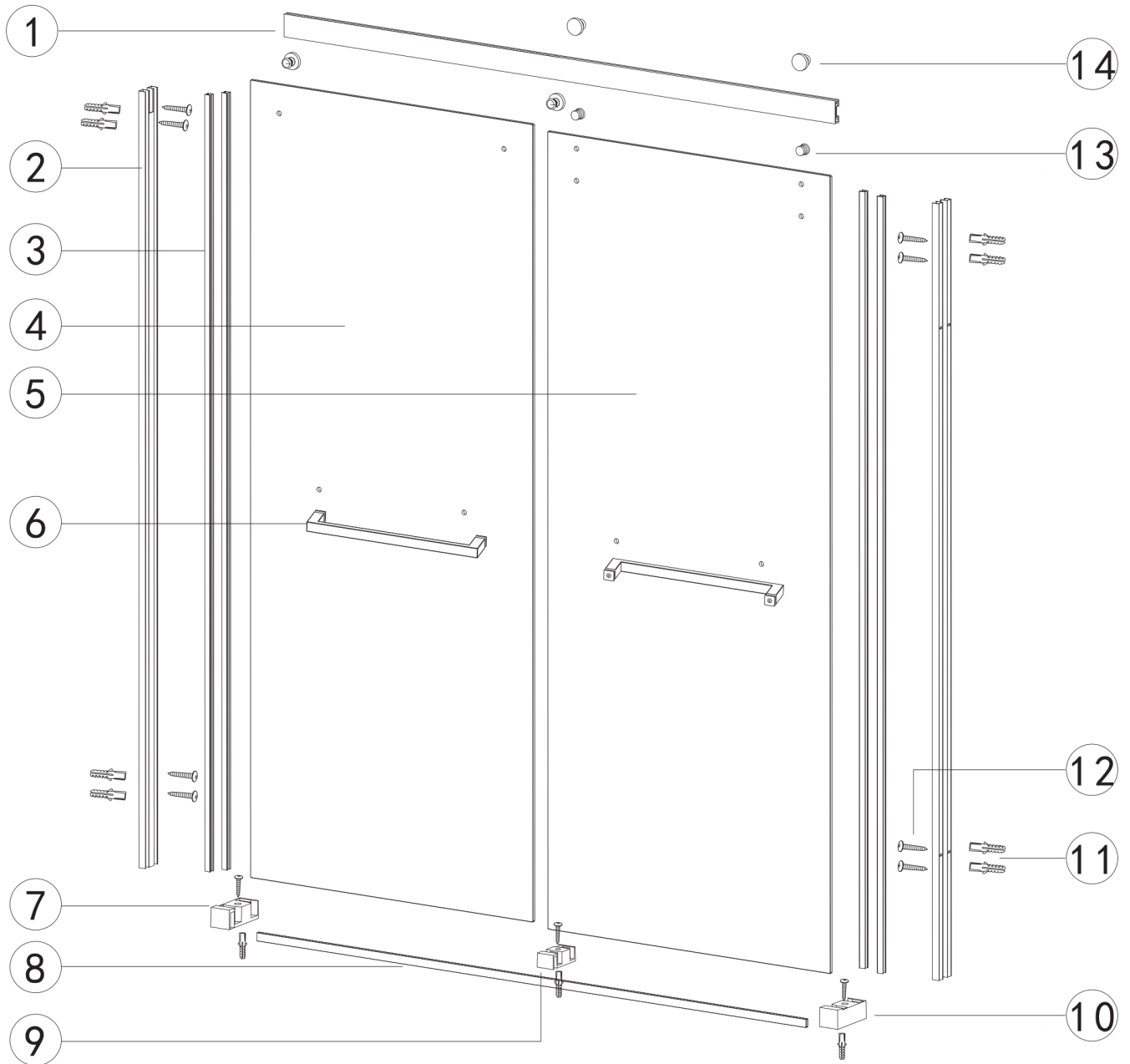


BEFORE BEGINNING YOUR INSTALLATION, fully inspect the edges and corners of your glass panels for any nicks, chips or scratches which might have occurred during the transportation of your glass panels. If you see any wear or damage to your glass panels contact the retailer with images to initiate the replacement part request.




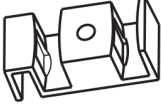

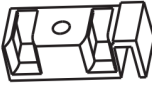
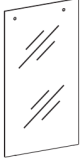

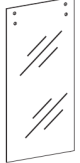
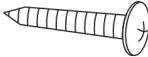

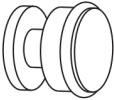
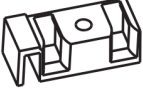
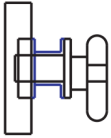
⚠ CAUTION

Installing glass panels with any nicks, chips or scratches may result in personal injury, property damage, or product failure.

DOOR ASSEMBLY

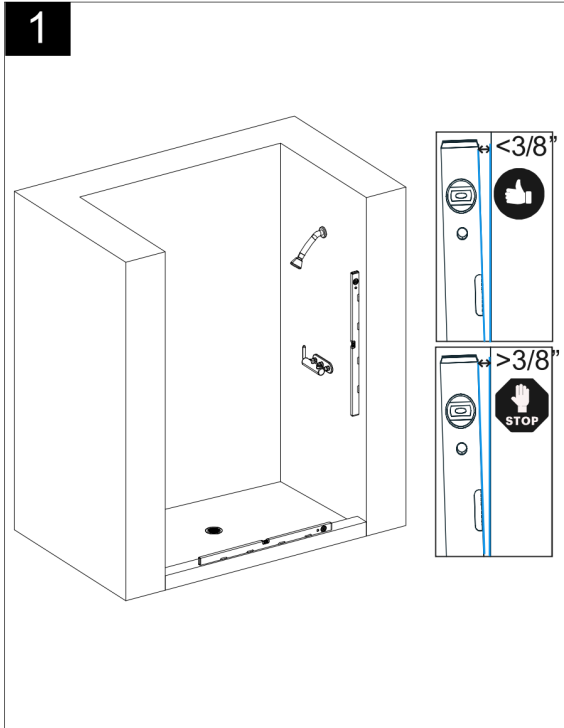


PARTS LISTING

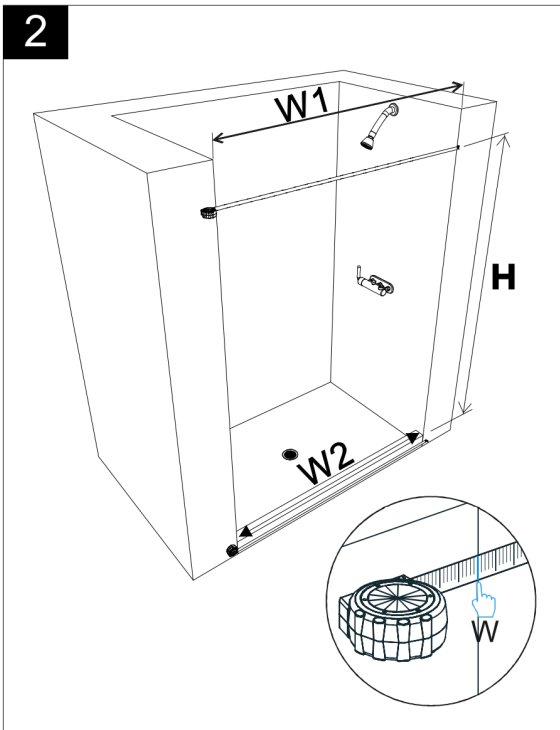
PART	PICTURE	DESCRIPTION	QTY	PART	PICTURE	DESCRIPTION	QTY
1		Top rail	1	8		Bottom threshold	1
2		Wall channel	2	9		Center door guider	1
3		Strip for wall channel	4	10		Right door guider	1
4		Inside glass	1	11		Floor and wall anchor	11
5		Outside glass	1	12		St4x32	11
6		Handle	2	13		Anti-Jump	2
7		Left door guider	1	14		Roller	4

⚠ CAUTION

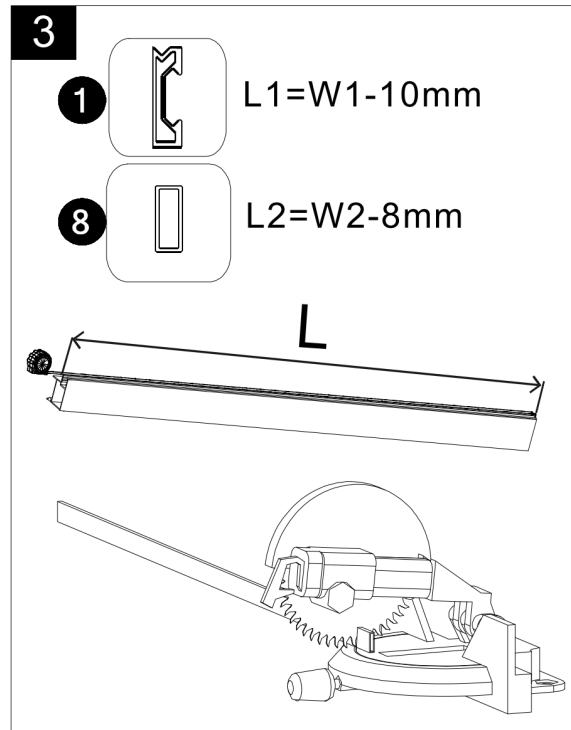
To reduce the risk of breakage, which may result in personal injury, property damage or product failure, DO NOT set glass panels on a hard surface or on their edge.



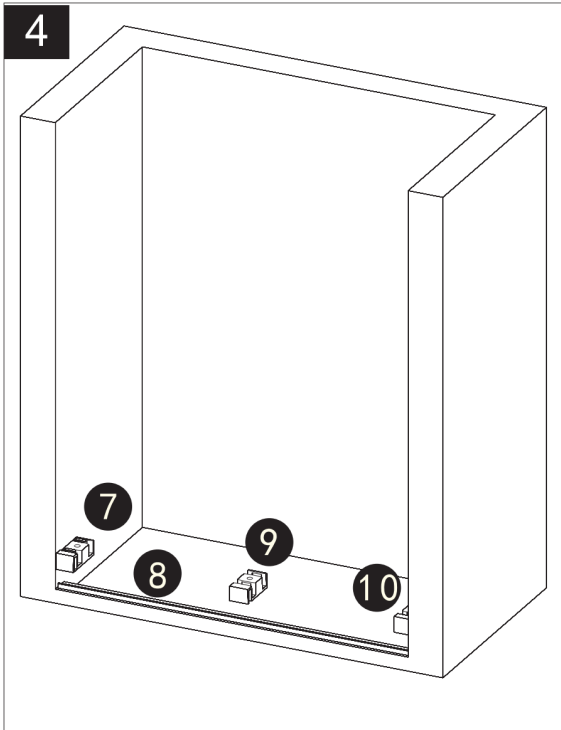
IMPORTANT:
Determine if your tub / showercurb is level and if the walls are plumb. If they are out of level / plumb by more than 3/8", call the customer service.



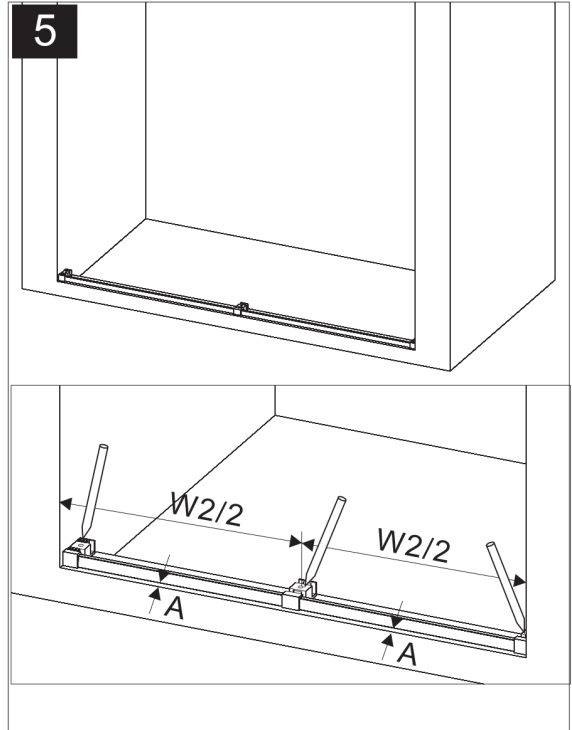
Measure the width W1, W2.



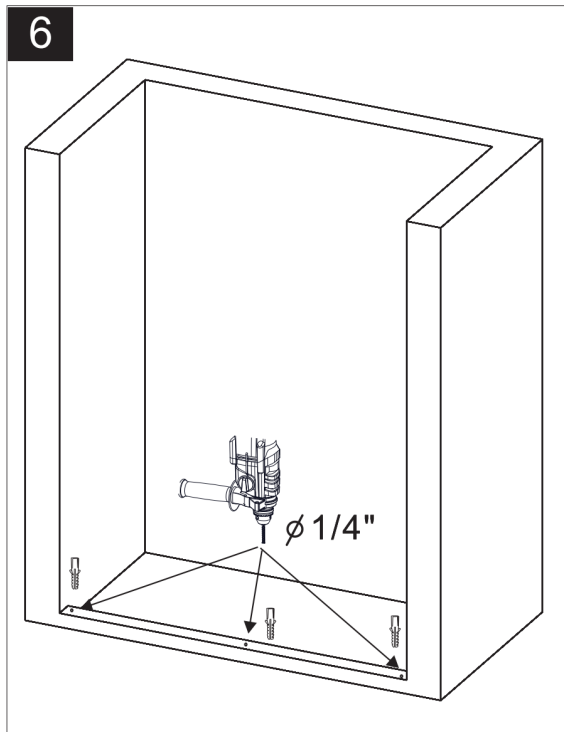
Cut the top rail to get L1 and cut bottom threshold to get L2.



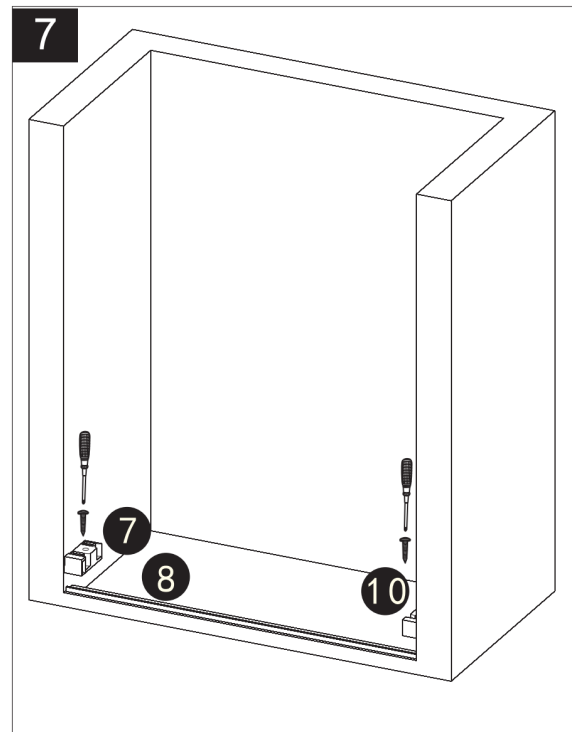
Place the guider and bottom threshold like the picture.



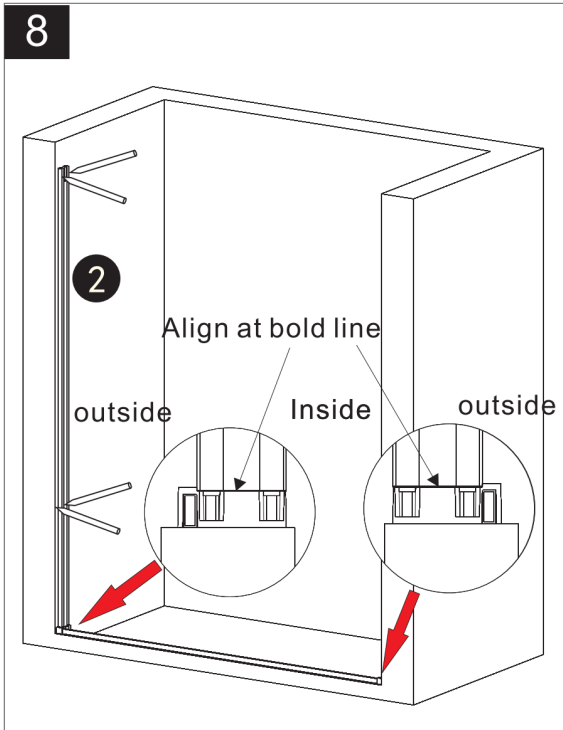
Make center guider (#9 Part) at middle of bottom, and mark the hole of all guiders.



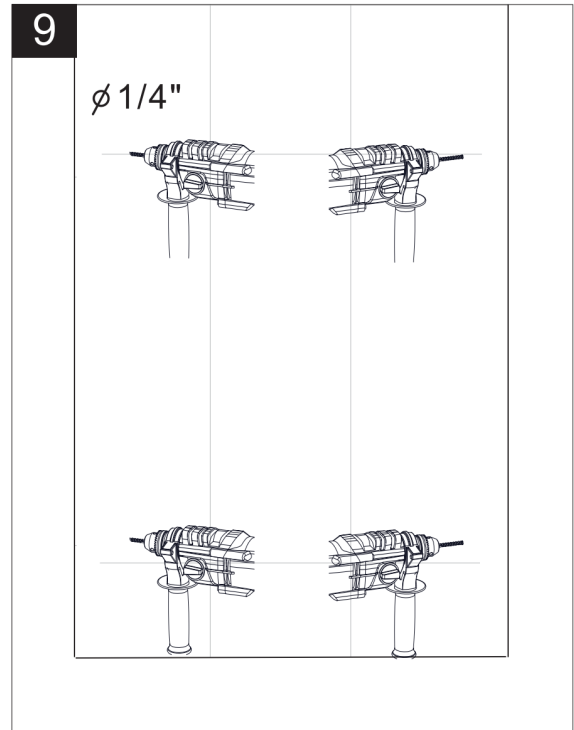
Drilling the hole and insert anchor (#11 Part).



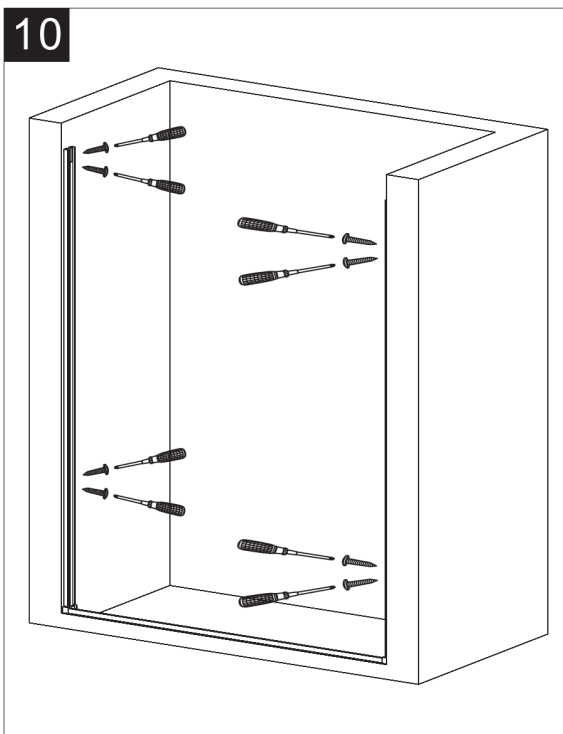
Install right guider, left guider and bottom threshold.



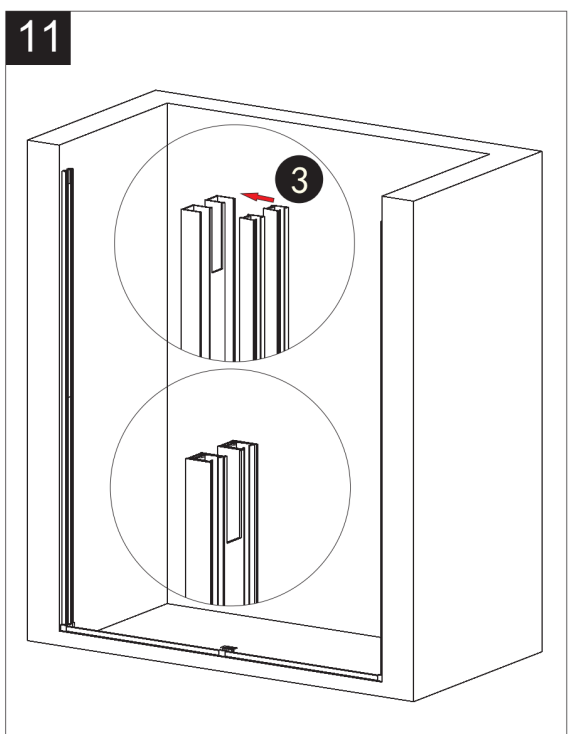
Place wall channel and mark the hole.



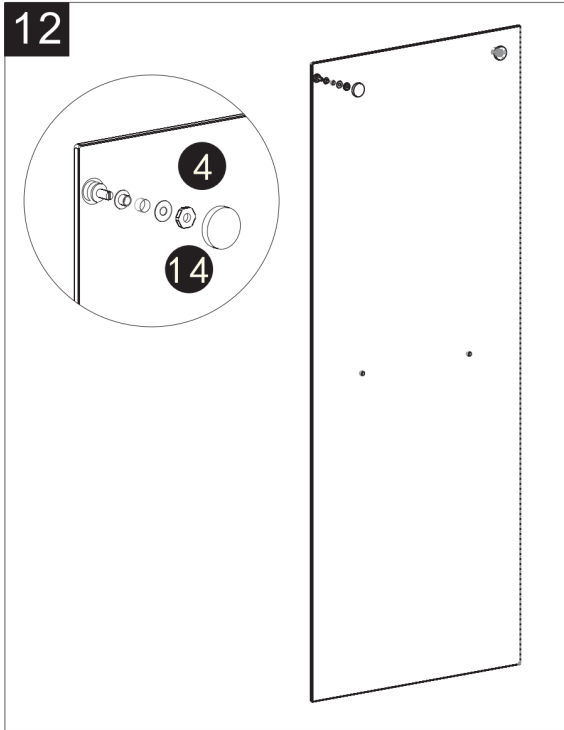
Drill 1/4" holes on the wall and insert anchor (#11 Part).



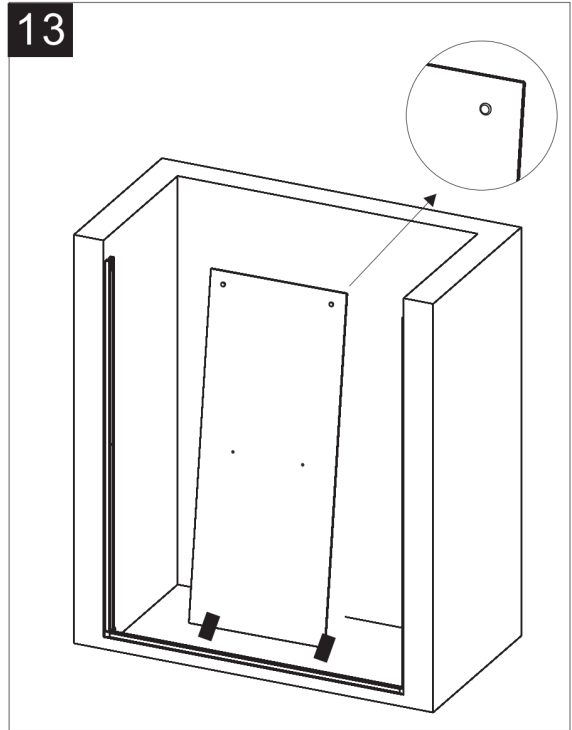
Install wall channel (#2 Part).



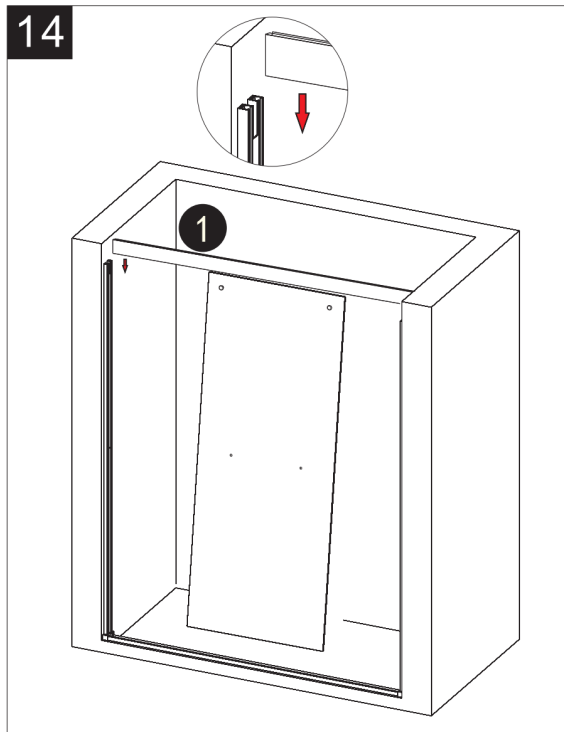
Insert strip (#3 Part) into wall channel (#2 Part).



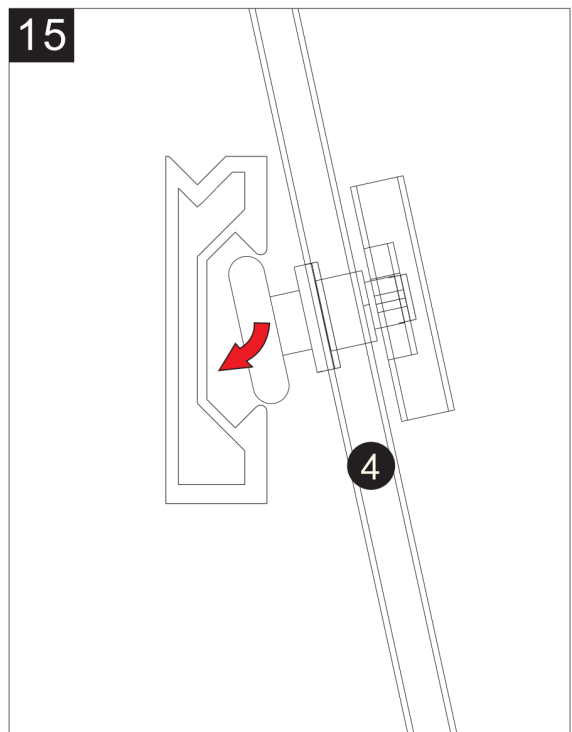
Install rollers (#14 Part) on inside door glass (#4 Part).



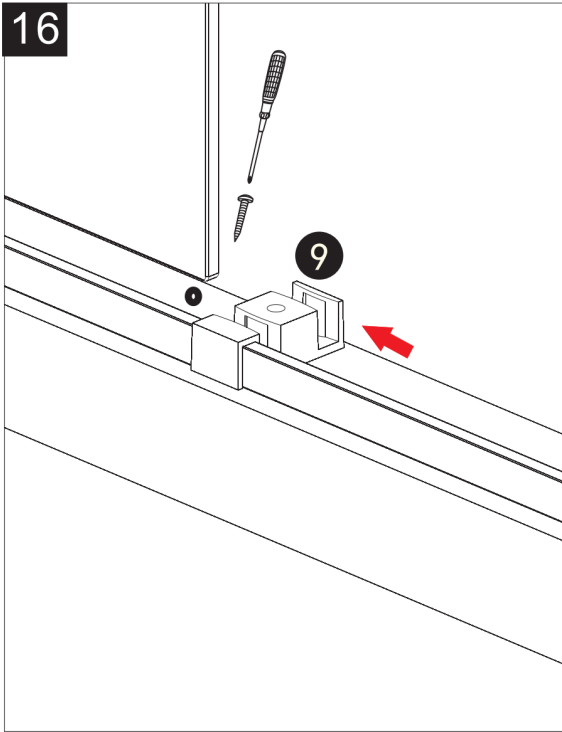
Move inside glass into the shower enclosure.



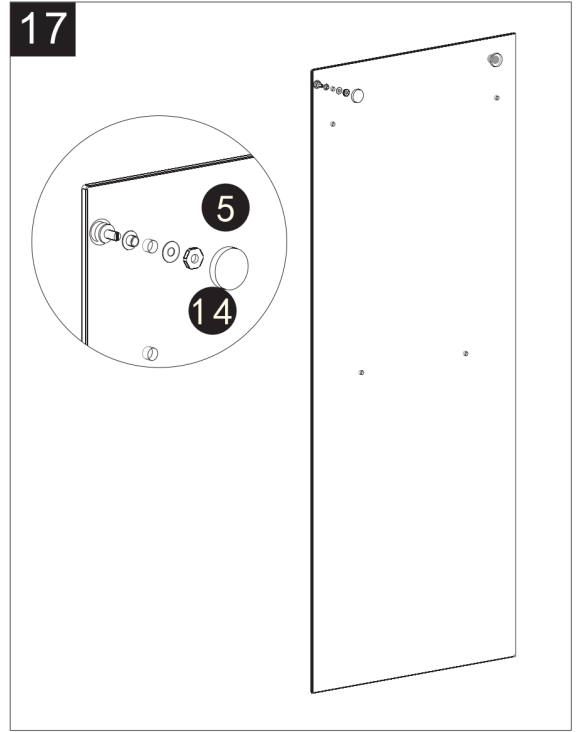
Put top rail on wall channel.



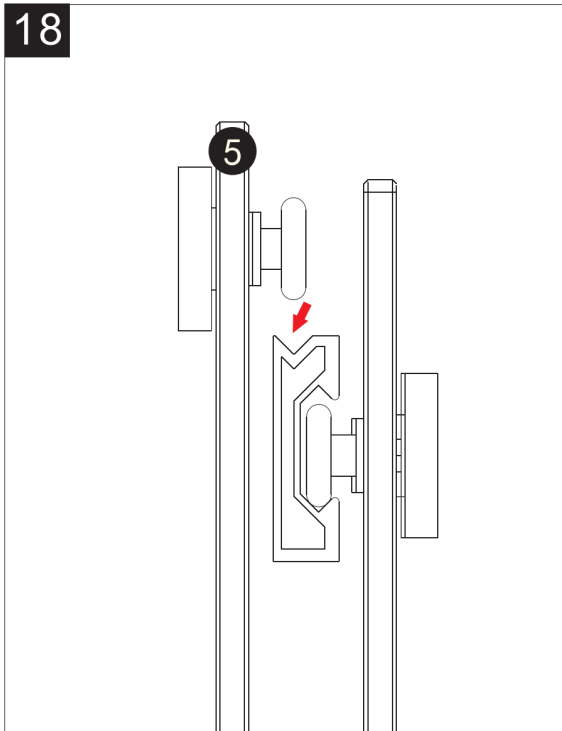
Insert inner glass rollers on top rail.



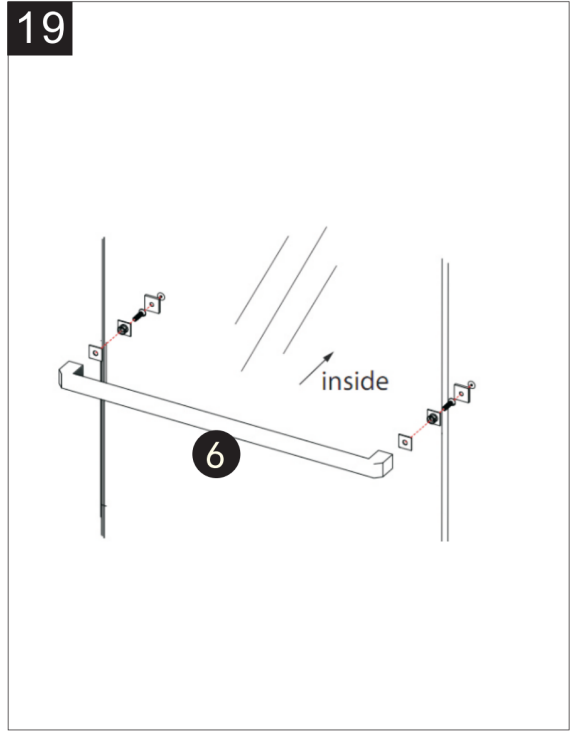
Install center guider.



Install rollers (#14 Part) on outside glass (#5 Part).

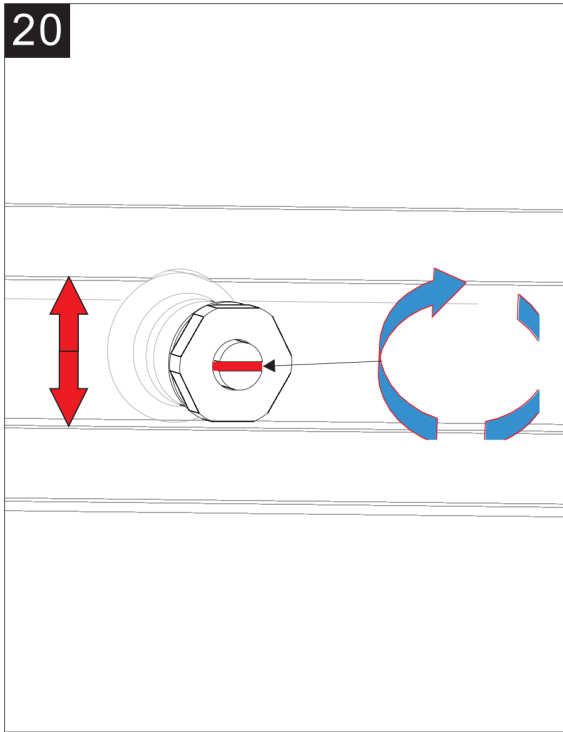


Put outside glass's rollers (#14 Part) on top rail.



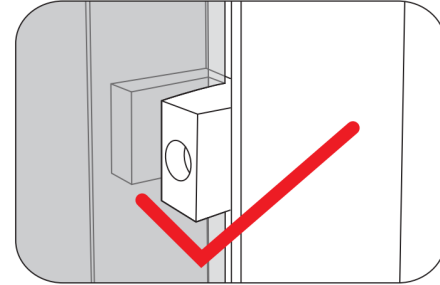
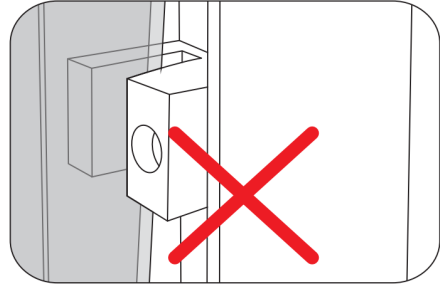
Install handle on glass.

20



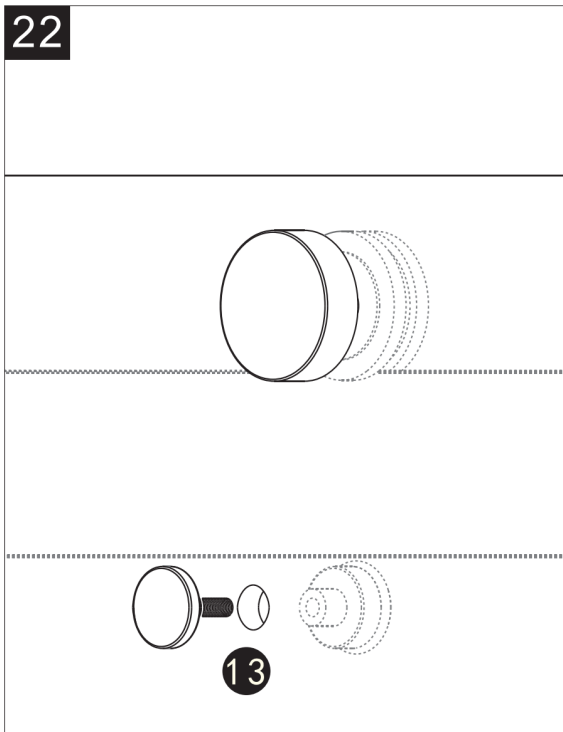
Loosen the roller screw to adjust the parallelism between the glass and the wall channel, then lock roller screw.

21



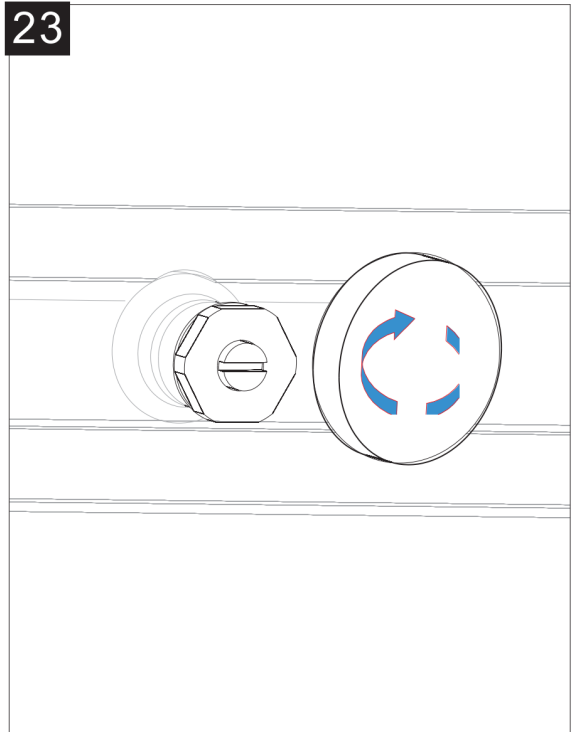
The parallelism between the glass and the wall channel, like the picture.

22



Install anti-Jumps.

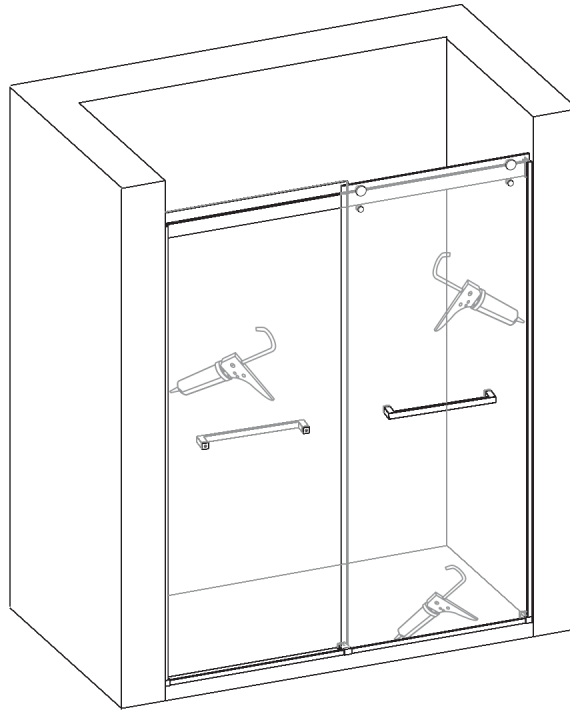
23



Cover the roller cover plate.

Complete: Apply a good quality mildew-resistant silicone along the connection of shower door and enclosure, make sure apply silicone on both inside and outside.

NOTE: Allow 24 hours for the silicone to fully cure before using the shower.



⚠ CAUTION: Do Not force the door panel to move as doing so may result in breakage and risk of injury. If the following steps do not resolve the associated symptoms or for any questions, contact retailer for assistance.

1. Sliding door panel is difficult to move.	<ul style="list-style-type: none"> a. Ensure that magnetic seal on door panel does not contact bottom sill. b. Check to ensure anti-jump assemblies are not contacting the top track.
2. Sliding door panel is not stopped by limit stop.	<ul style="list-style-type: none"> a. Ensure that limit stop is fully secure to top track. If limit stop appears loose, remove cover cap and hand tighten screw until fully secure. Do not operate door assembly if limit stop is not fully functional.
3. Excess noise or vibration.	<p>Caution: If glass panel(s) need to be removed at any time, wear appropriate safety glasses and non-slip gloves. Ensure glass panels do not make contact with any hard surfaces.</p> <ul style="list-style-type: none"> a. Carefully check all fasteners and assemblies on fixed panel and top track. b. Ensure all screws, set screws and nuts are properly installed and hand tightened until fully secure. Ensure all bushings and washers are properly installed. <p>For replacement components, contact retailer for assistance</p>
1. Track or Seal Component Discoloration	Carefully review and follow Care and Cleaning Instructions.