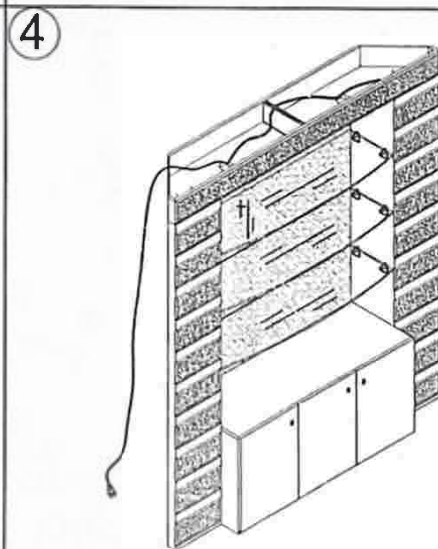
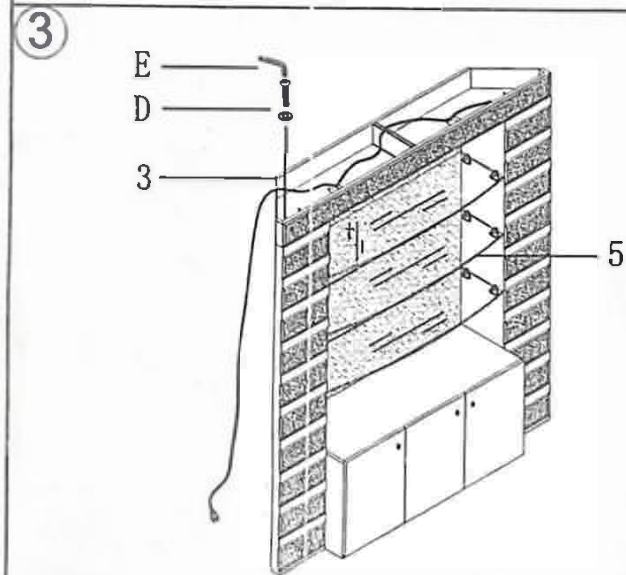
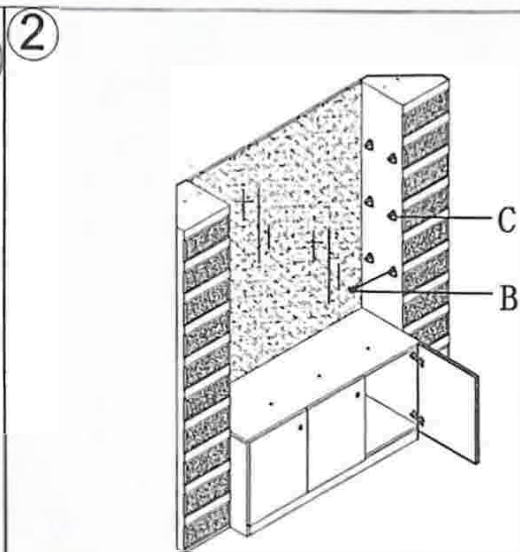
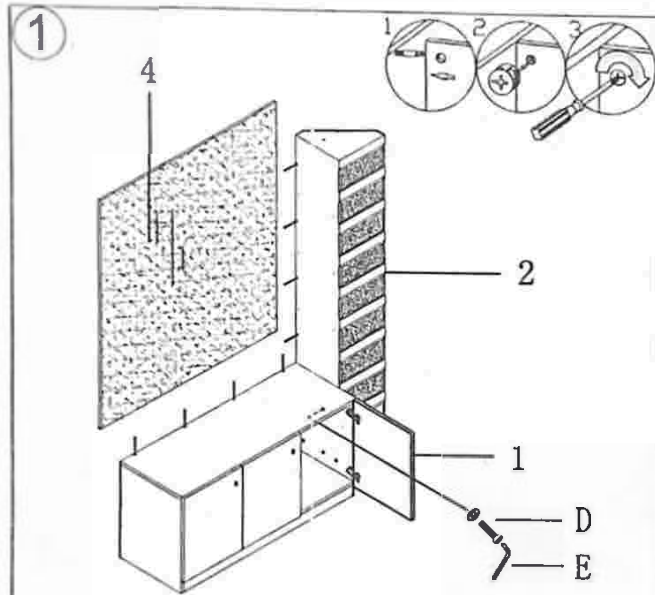


# Assembly Instruction For TG-2012



## PARTS LIST

| NO. | DESCRIPTION | QTY |
|-----|-------------|-----|
| 1   |             | 1   |
| 2   |             | 1   |
| 3   |             | 1   |
| 4   |             | 1   |
| 5   |             | 3   |

## HARDWARE LIST

| NO. | DESCRIPTION | Q.T.Y |
|-----|-------------|-------|
| A   | M6*32       | 20    |
| B   | M3.5 *15    | 12    |
| C   |             | 12    |
| D   | M8*35       | 12    |
| E   | M5          | 1     |