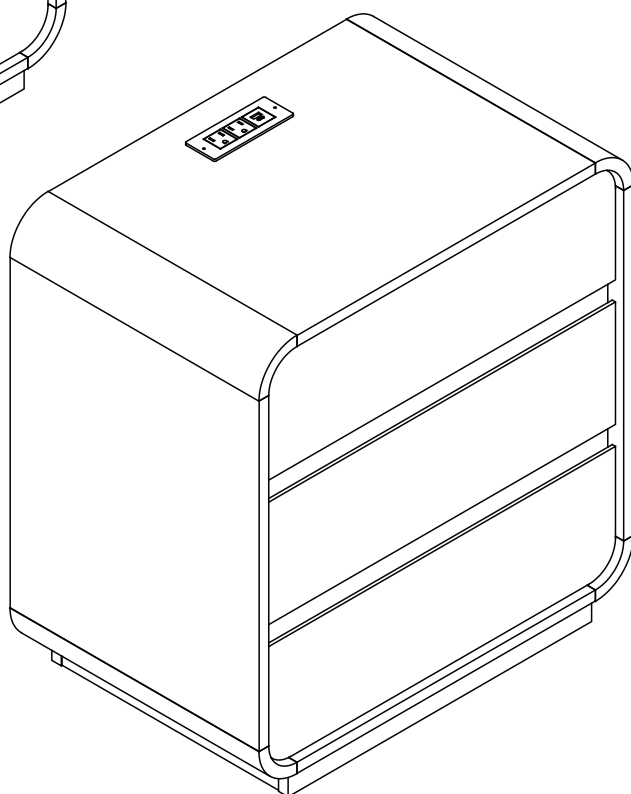
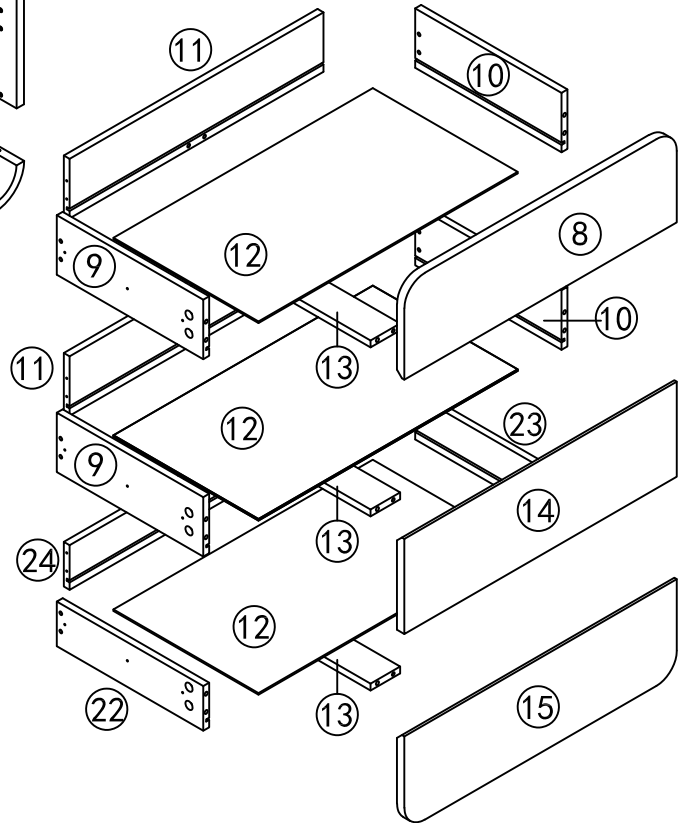
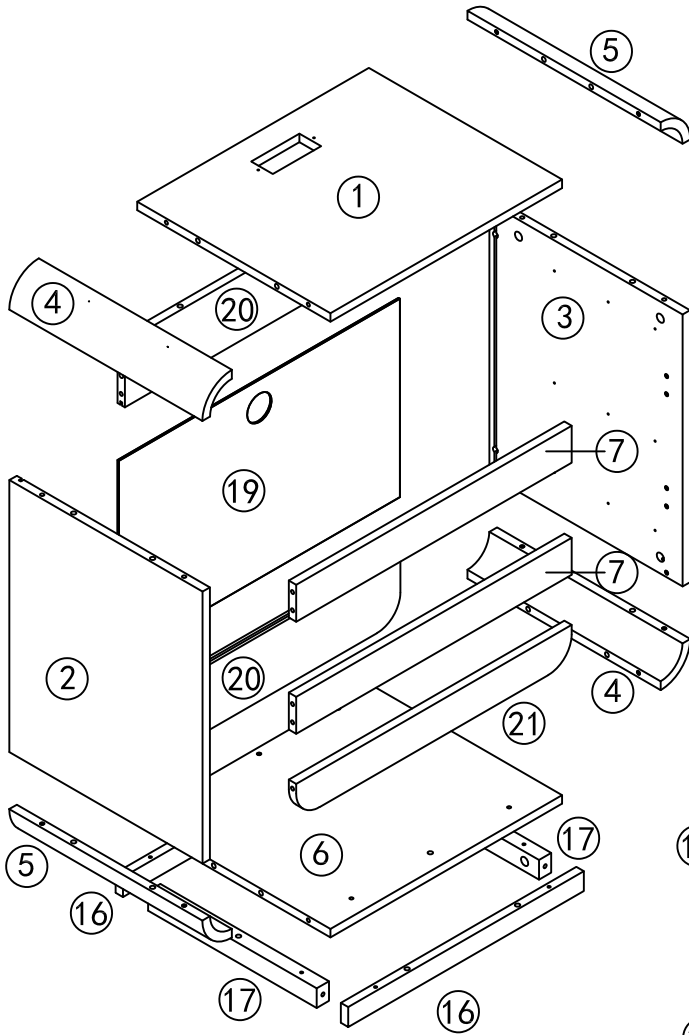
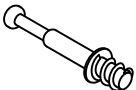

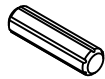
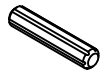
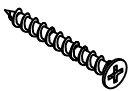

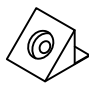


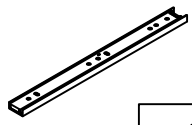



Installation & Assembly

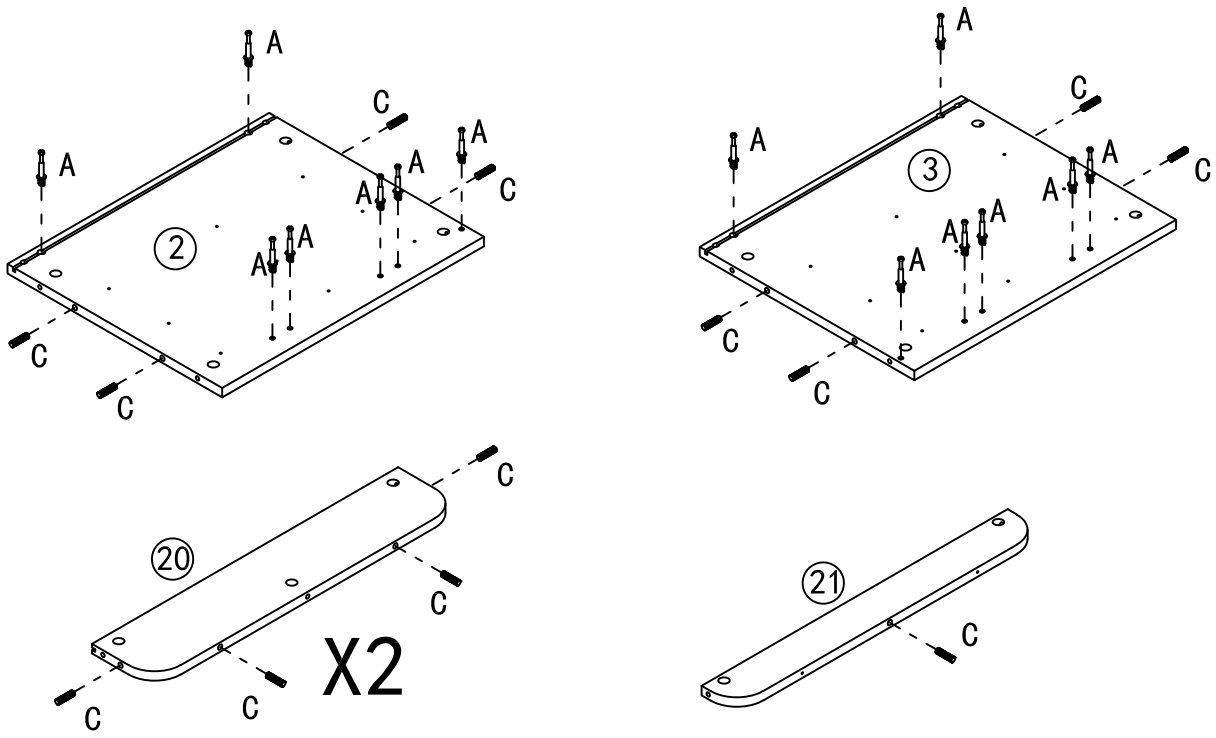


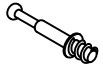
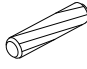


X2

<p>A</p>  <p>M6*35MM 102+2PCS</p>	<p>B</p>  <p>15MM*9MM 102+2PCS</p>	<p>C</p>  <p>Ø8*30MM 62+2PCS</p>	<p>D</p>  <p>Ø6*30MM 12+1PCS</p>
<p>E</p>  <p>M4*30MM 50+2PCS</p>	<p>F</p>  <p>M3.5*12MM 72+2PCS</p>	<p>G</p>  <p>8+1PCS</p>	<p>H</p>  <p>M3*16MM 8+1PCS</p>
<p>I</p>  <p>2PCS</p>	<p>J</p>  <p>12PCS</p>	<p>K</p>  <p>M3*12MM 4PCS</p>	

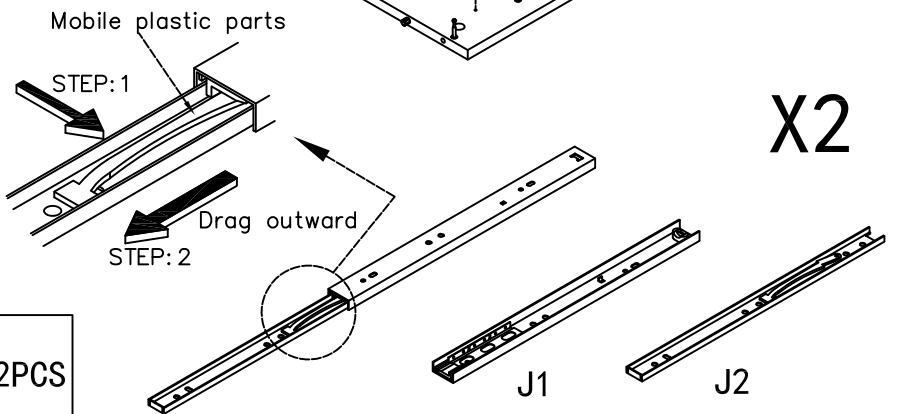
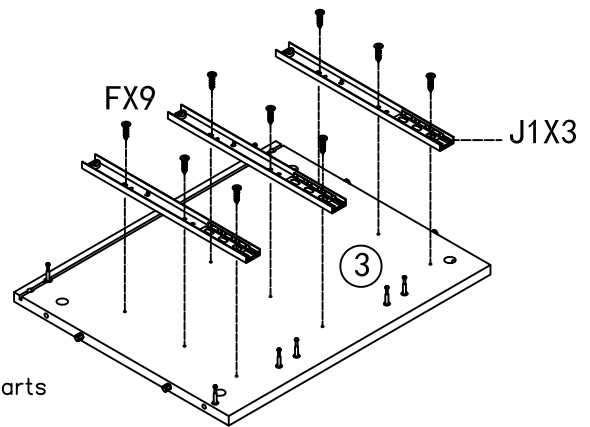
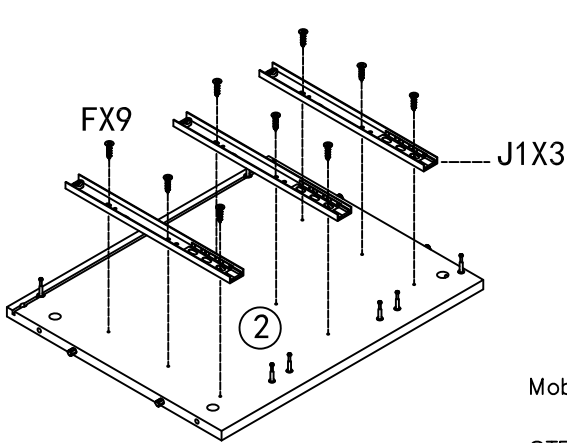
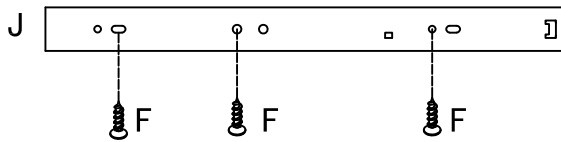
STEP 1





	A*28PCS		C*34PCS
--	---------	---	---------

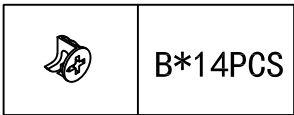
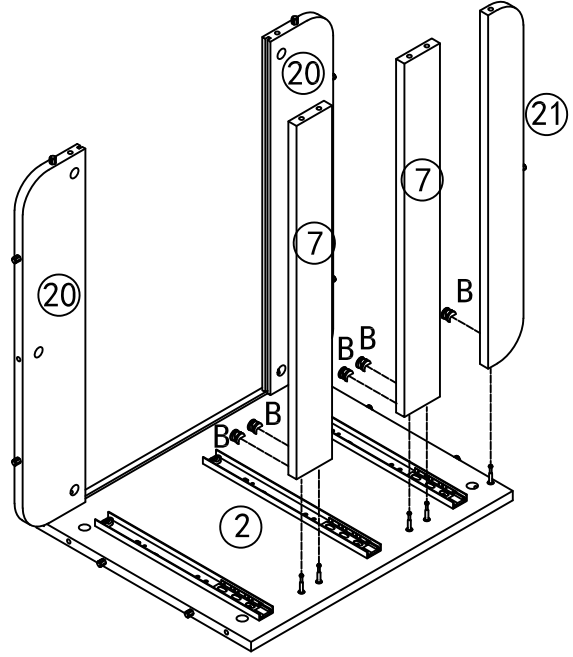
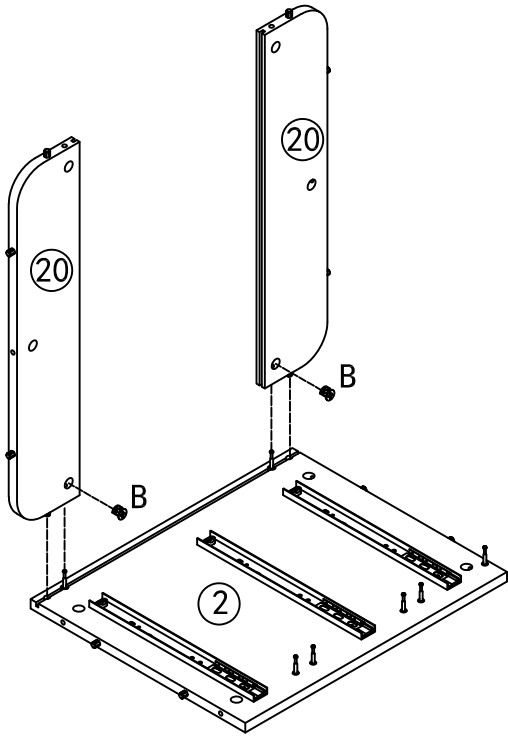
X2

STEP 2



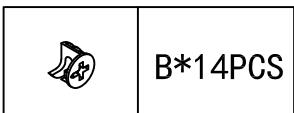
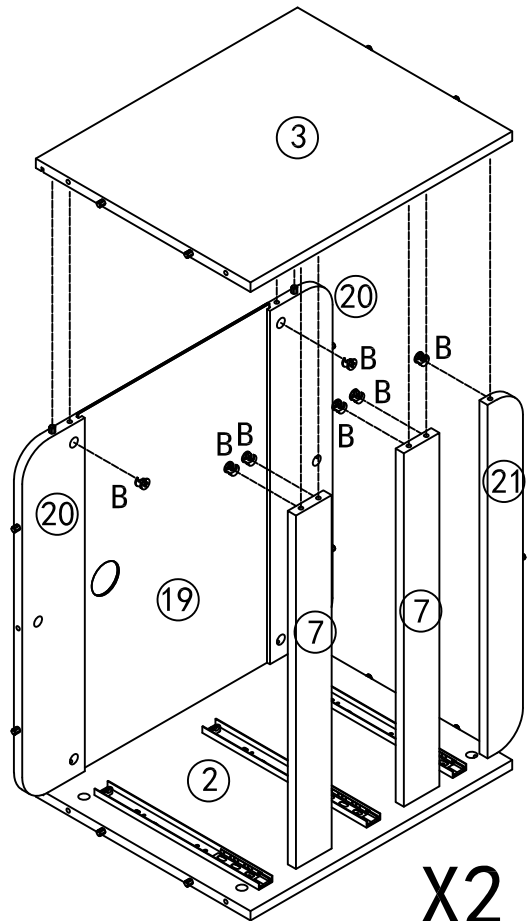
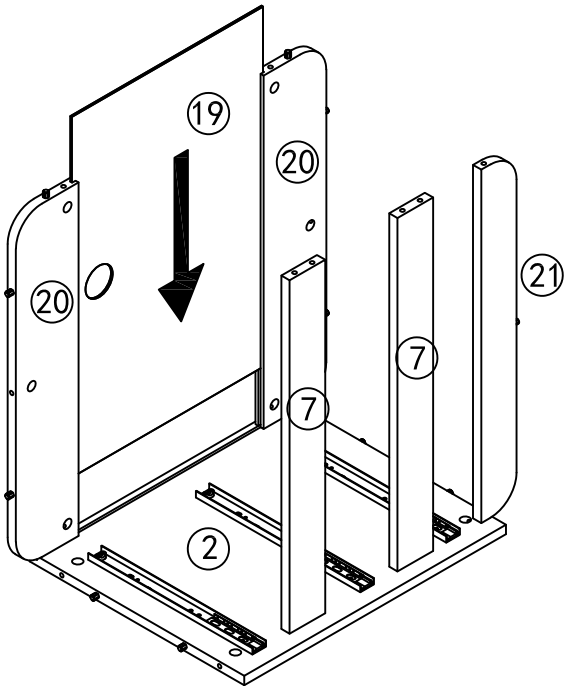
	F*36PCS		J1*12PCS
---	---------	---	----------

STEP 3



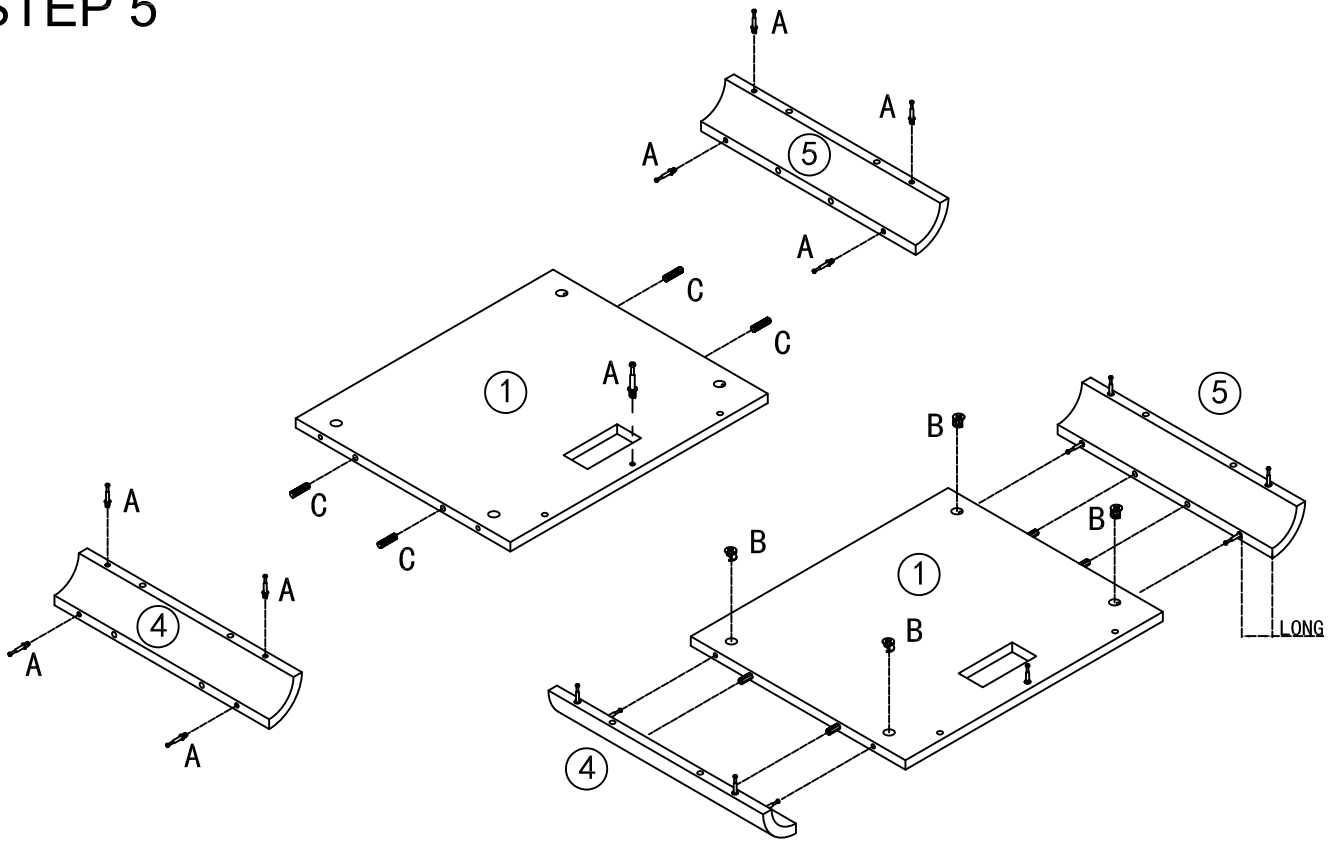
X2

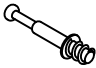

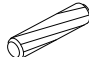
STEP 4



X2

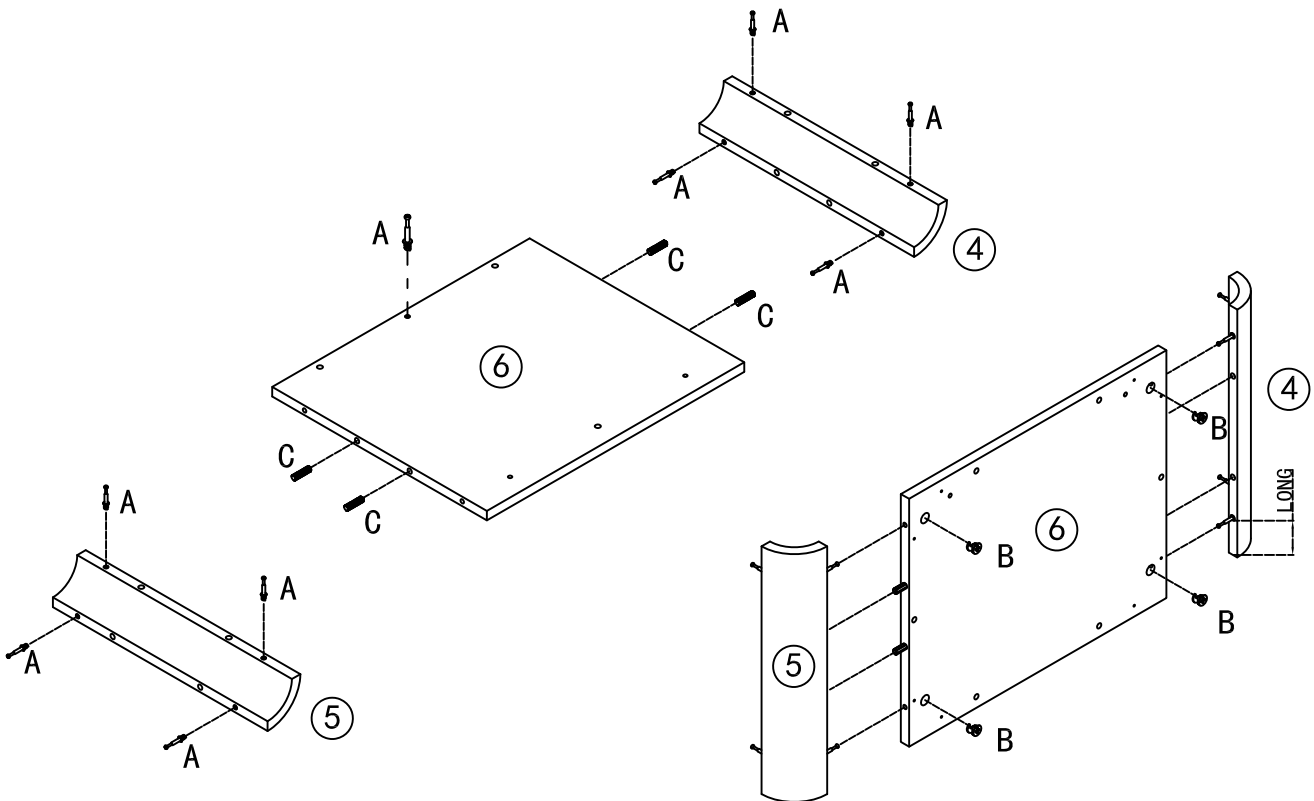
STEP 5

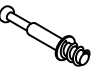

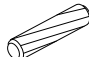


	A*18PCS		B*8PCS		C*8PCS
---	---------	---	--------	---	--------

X2

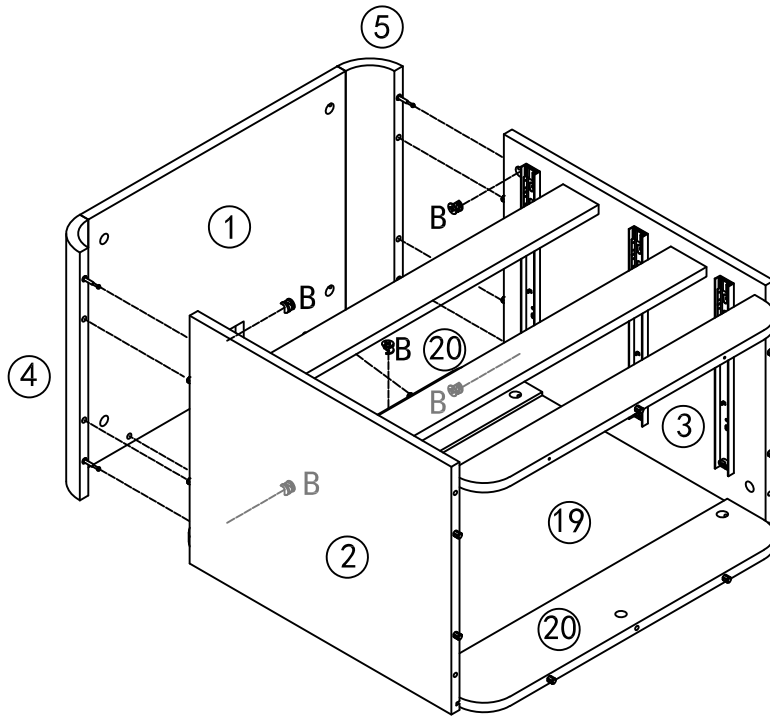
STEP 6




	A*18PCS		B*8PCS		C*8PCS
---	---------	---	--------	---	--------

X2

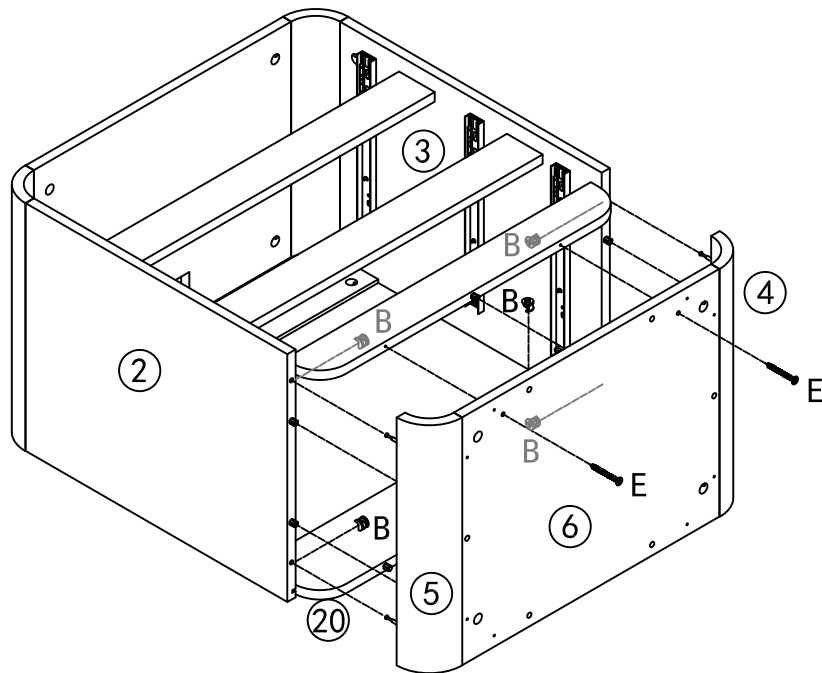
STEP 7





	B*10PCS
---	---------

X2

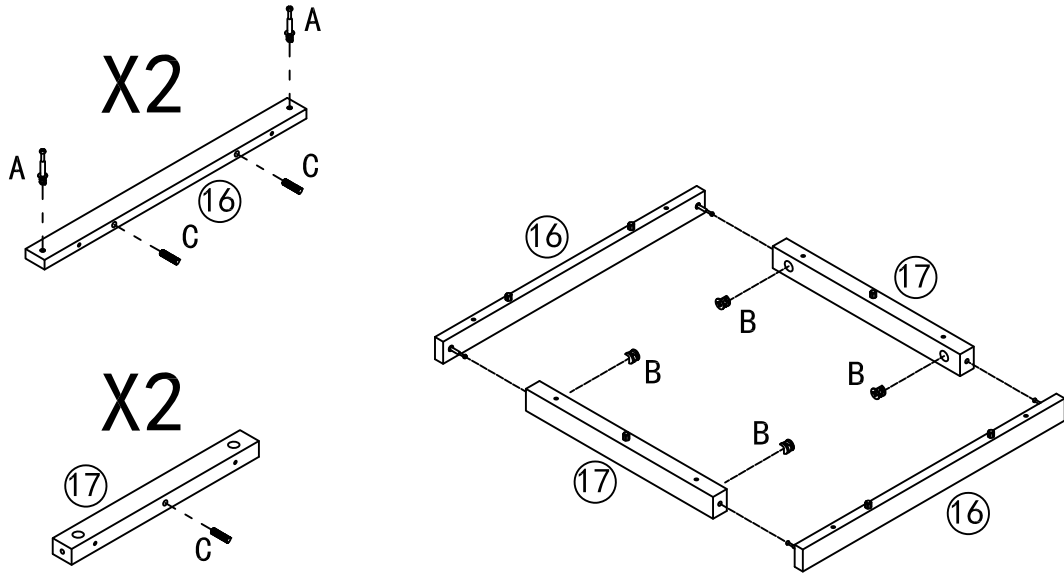
STEP 8

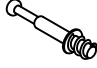

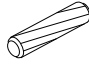


	B*10PCS		E*4PCS
---	---------	---	--------

X2

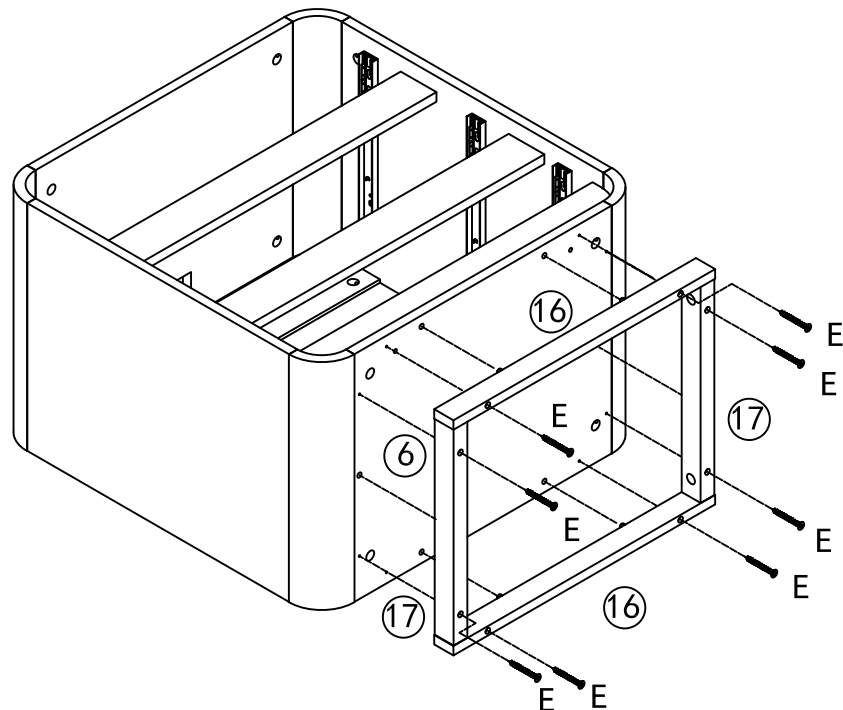
STEP 9




	A*8PCS		B*8PCS		C*12PCS
---	--------	---	--------	---	---------

X2

STEP 10

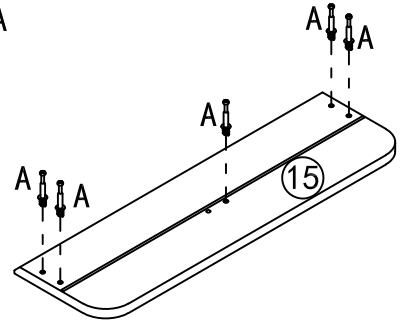
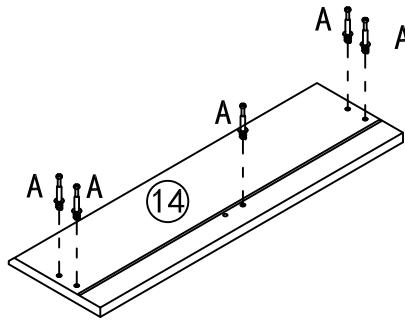
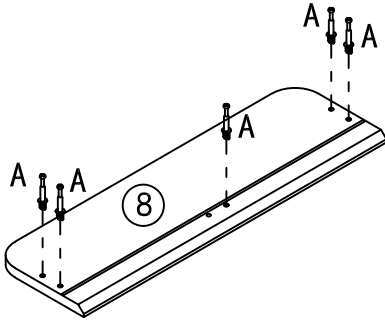
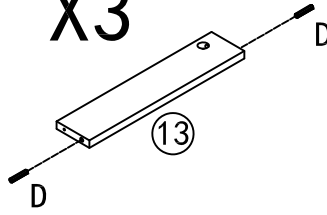


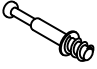
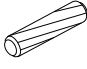
	E*16PCS
---	---------

X2

STEP 11

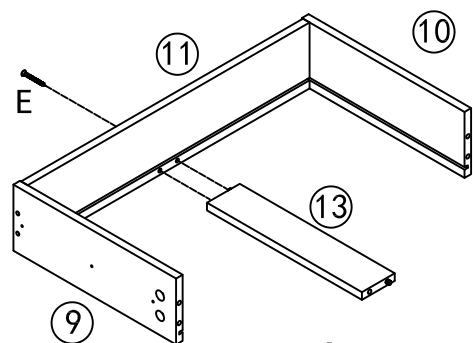
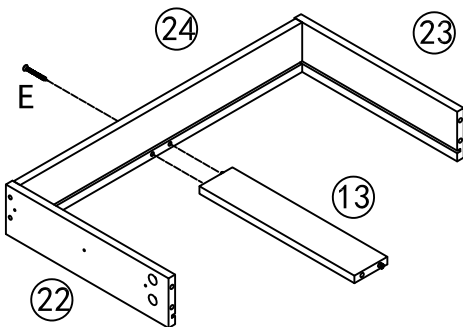
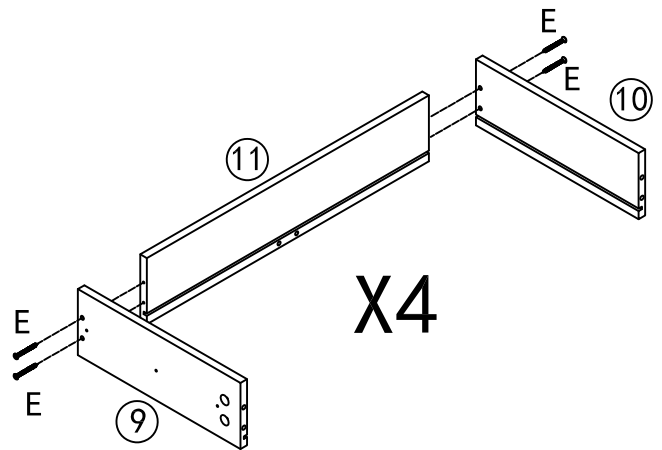
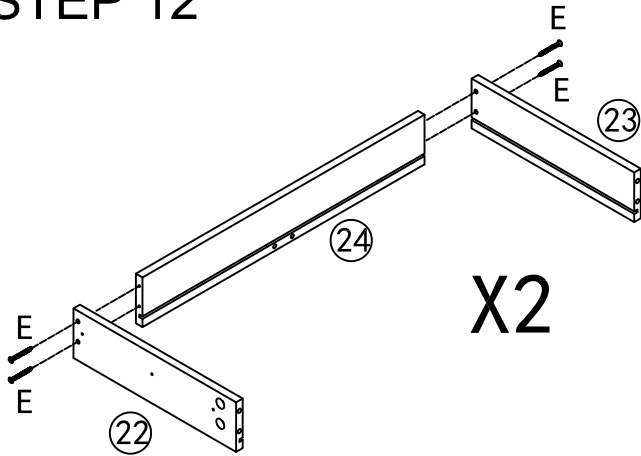
X3




	A*30PCS		D*12PCS
---	---------	---	---------

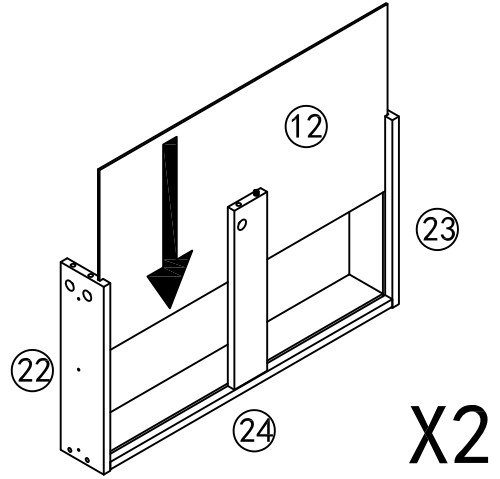
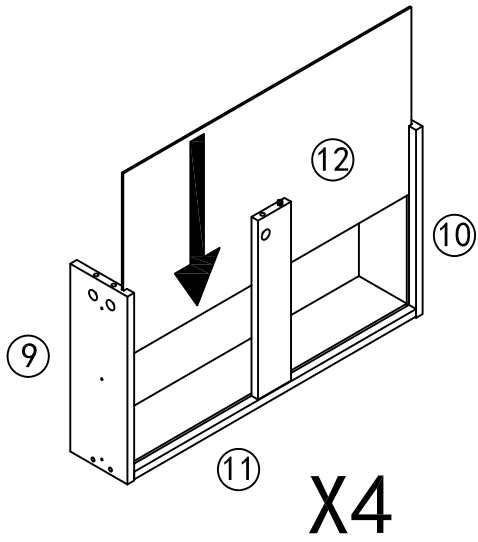
X2

STEP 12

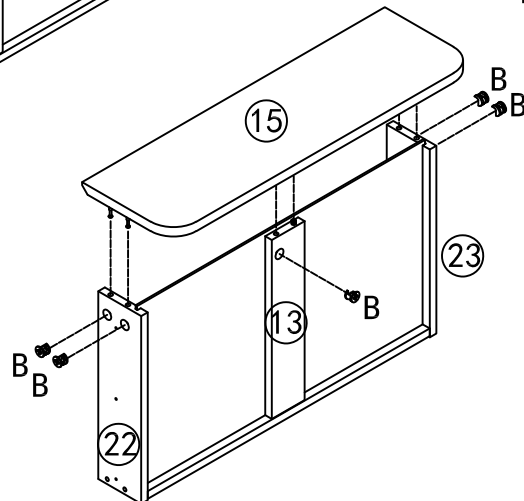
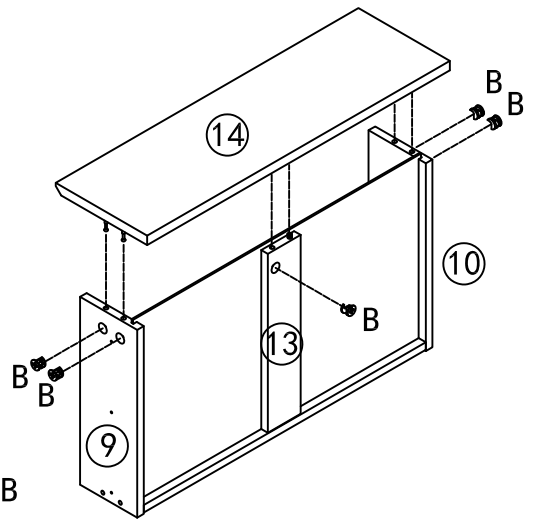
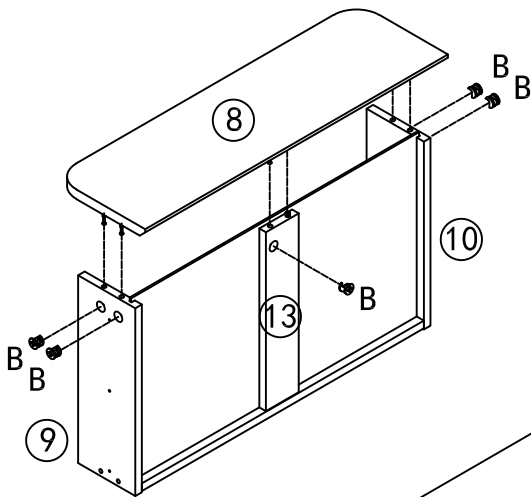


	E*30PCS
---	---------

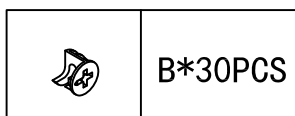
STEP 13



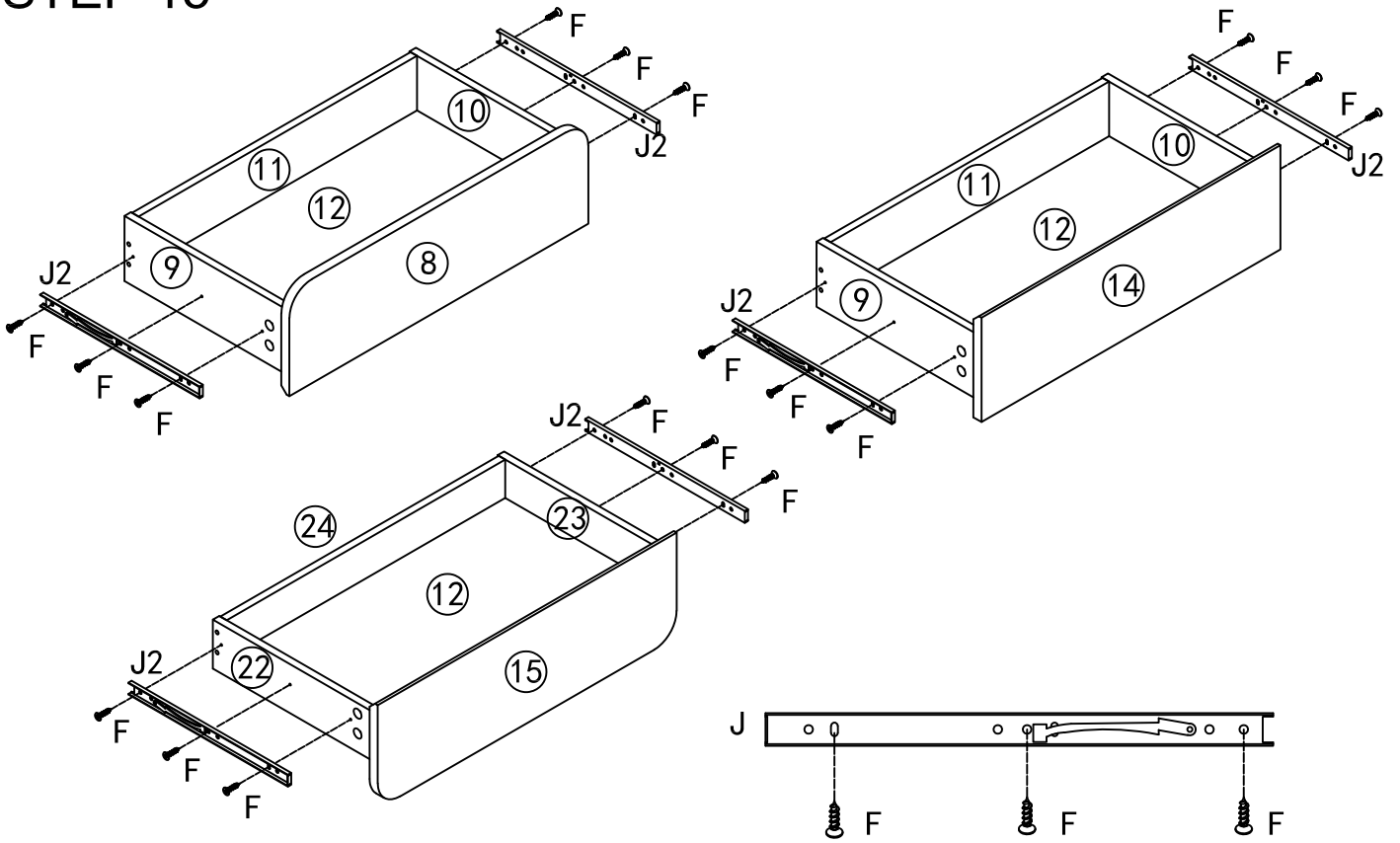
STEP 14





X2



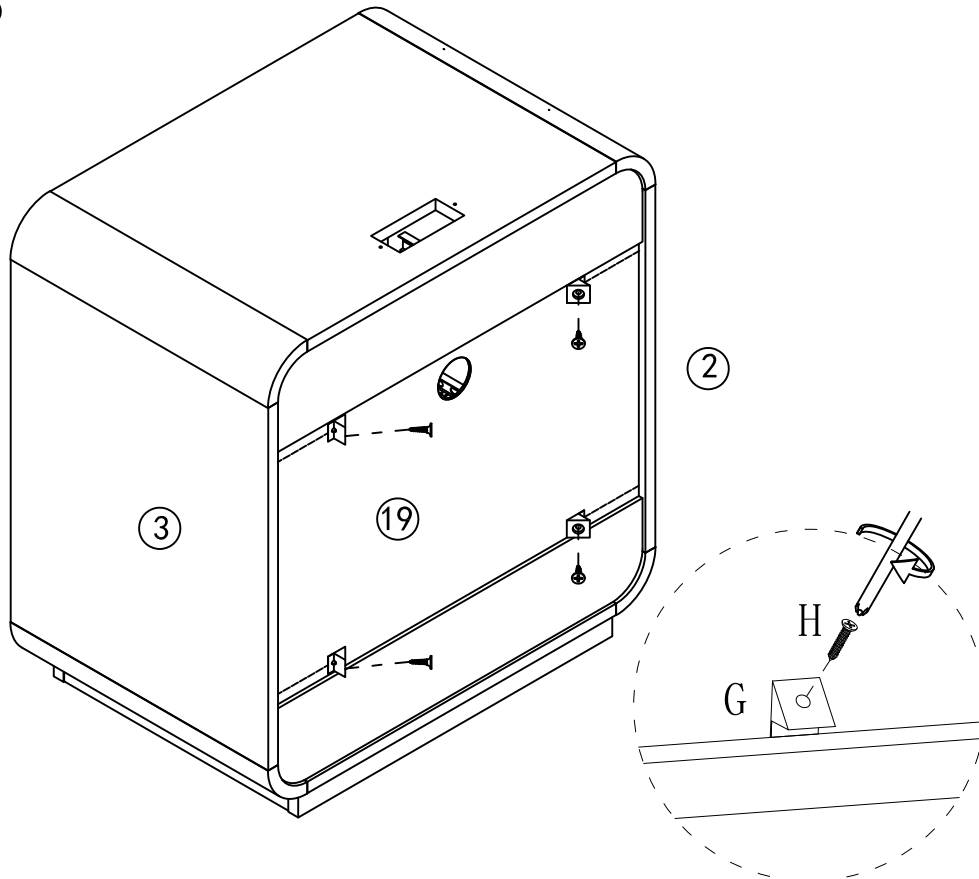
STEP 15





	F*36PCS		J2*12PCS
---	---------	---	----------

X2

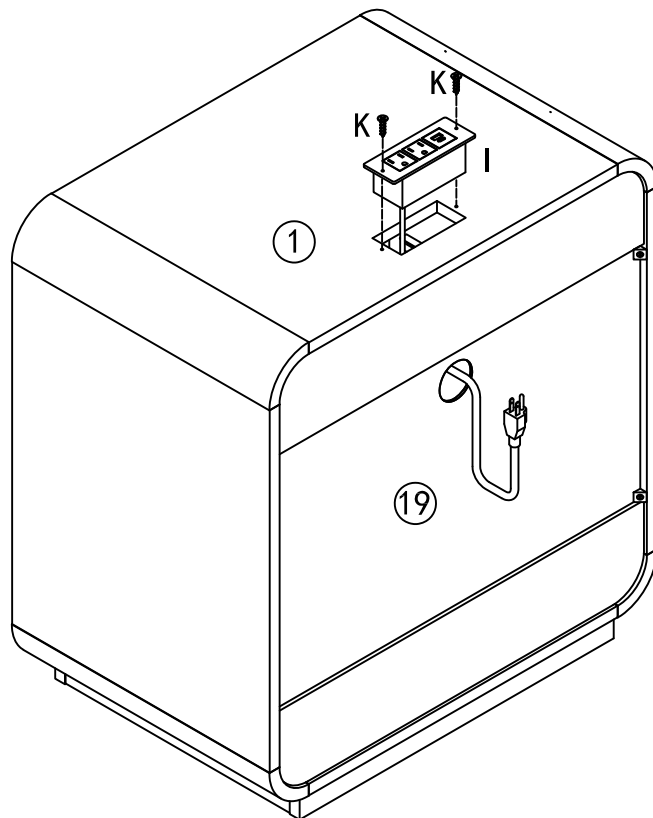
STEP 16



	G*8PCS		H*8PCS
---	--------	---	--------

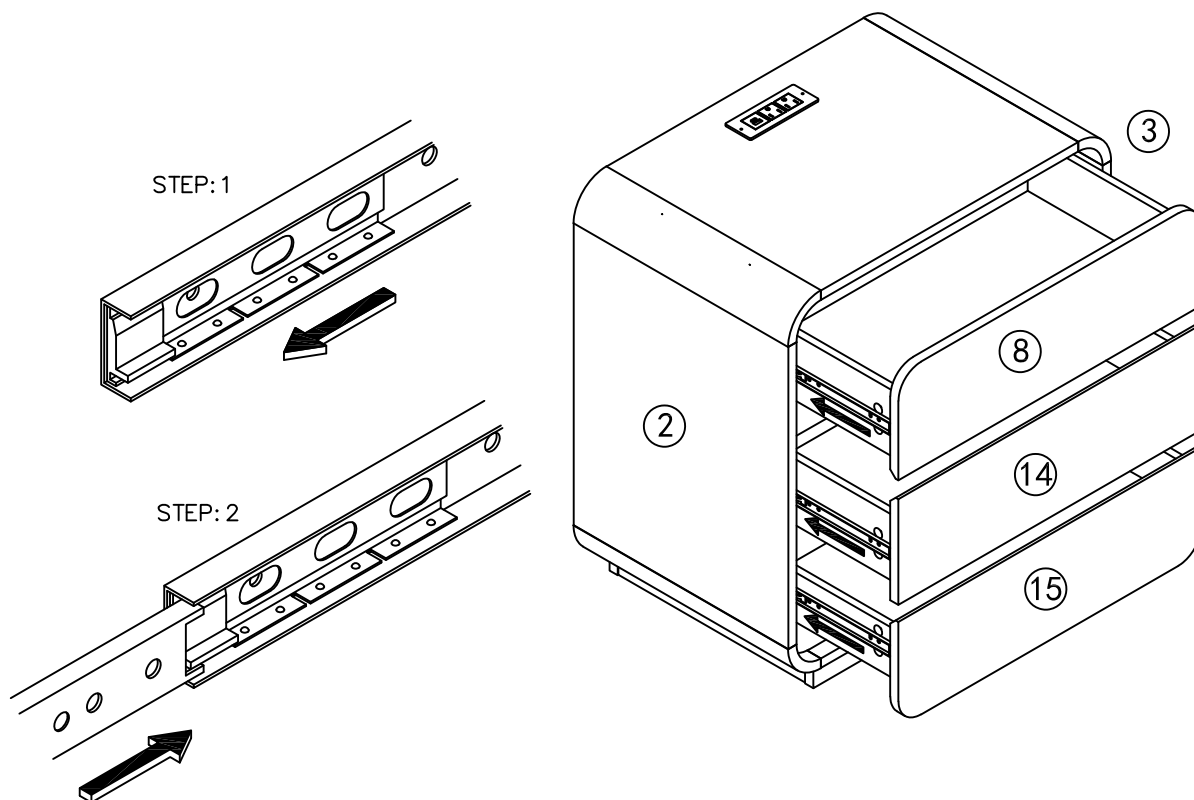
X2

STEP 17



X2

STEP 18



X2