



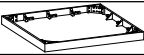
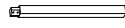


ASSEMBLY INSTRUCTIONS

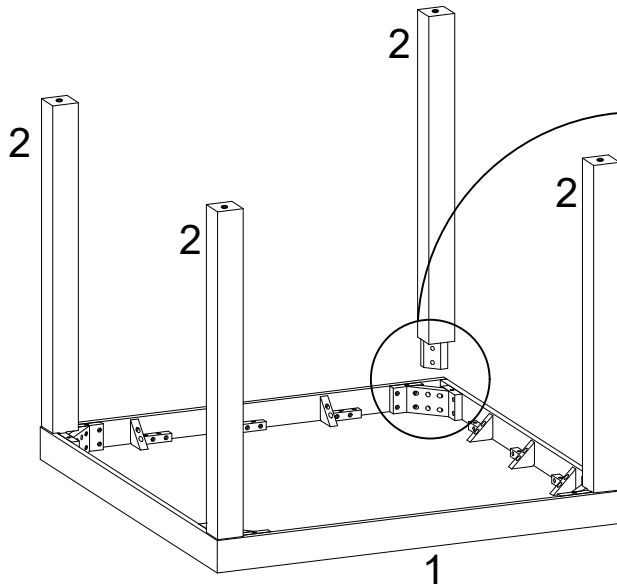
ITEM NO : PT5202 COUNTER HEIGHT TABLE

1/1

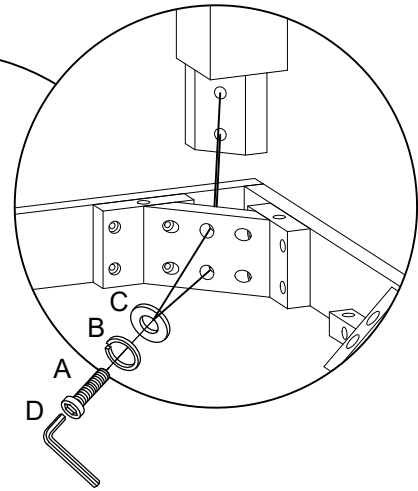
HARDWARE LIST			
NO	PART		Q'TY
A		Ø5/16"x57mm	8
B		Ø5/16"x13mm	8
C		Ø5/16"x19mm	8
D		5mm	1

PART LIST			
NO	PART		Q'TY
1		Table top	1
2		Table leg	4

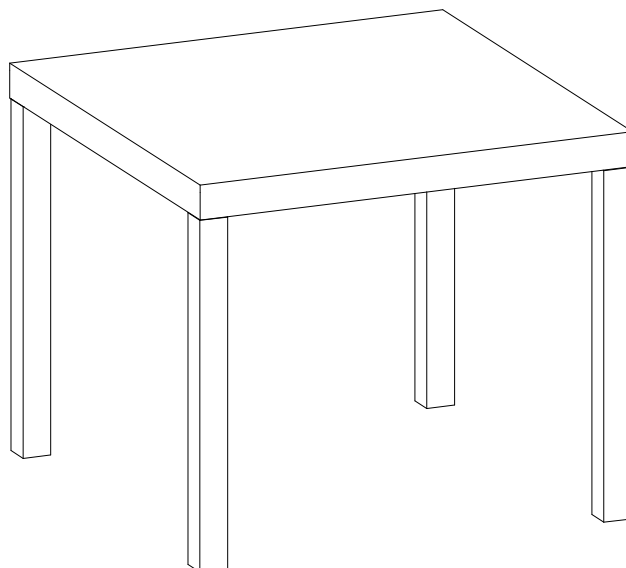
STEP 1



STEP 2



Completed



Do not tighten screws until completely assembled.