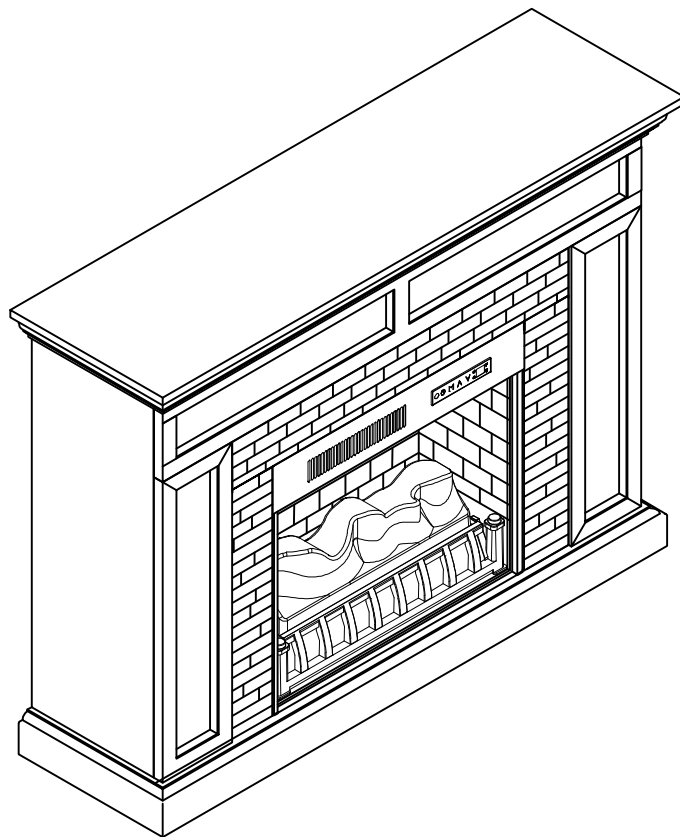


MARBLE STONE MANTEL FIREPLACE

ASSEMBLY INSTRUCTIONS

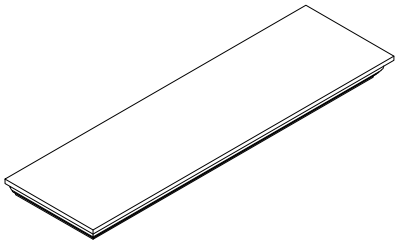
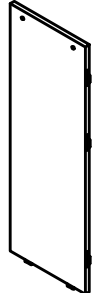
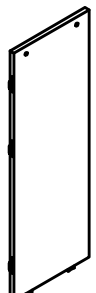
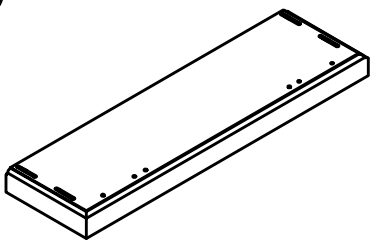
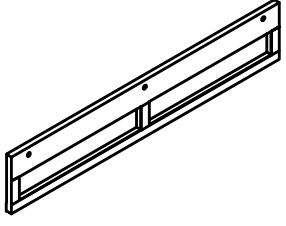
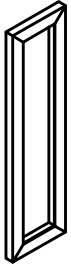
Made In Vietnam



Thank you for purchasing this quality product. Be sure to check all packing material carefully for small parts, which may have come loose inside the carton during shipment. Count all parts and material hardware, then compare with parts list to be sure all parts are present. If any parts are missing or damaged, phone, fax, or mail to our Customer Service Department for efficient and speedy service. Please indicate the model number and code letter of part(s) needed.

NOTE: In order to prevent damage during assembly, please assemble this item with at least two people.

IMPORTANT NOTE: Follow instructions listed below in proper sequence as numbered to assure fast, easy and correct assembly.

PARTS LIST		
A	B	C
		
TOP PANEL-1PC	LEFT SIDE PANEL-1PC	RIGHT SIDE PANEL-1PC
D	E	F
		
BOTTOM PANEL-1PC	UPPER FRONT PANEL-1PC	FRONT LEFT PANEL-1PC

NOTE: THE SURFACE WITH THE STICKER IS THE BACK SIDE.

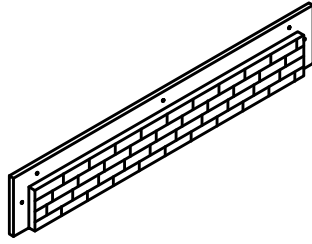
PARTS LIST

G



FRONT RIGHT PANEL-1PC

H



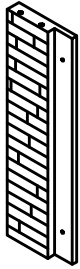
FRONT DECORATIVE PANEL -1PC

I



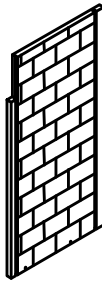
LEFT DECORATIVE PANEL -1PC

J



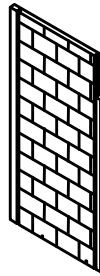
RIGHT DECORATIVE PANEL -1PC

K



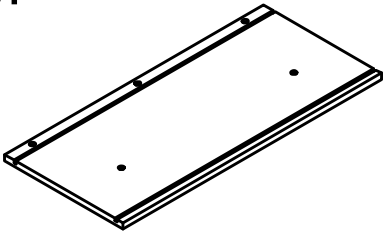
LEFT SIDE PANEL OF INSERT -1PC

L



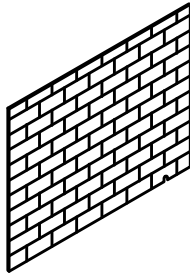
RIGHT SIDE PANEL OF INSERT -1PC

M



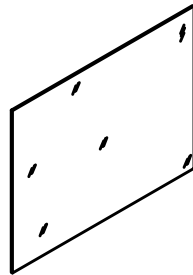
BOTTOM PANEL OF INSERT -1PC

N



BACK PANEL OF INSERT -1PC

O



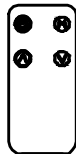
GLASS -1PC

P



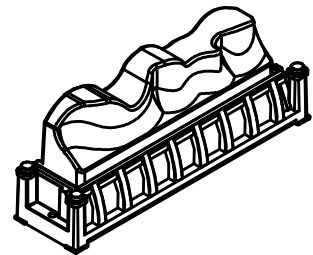
HEATER -1PC

Q




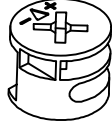
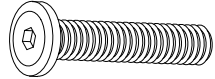

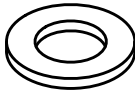
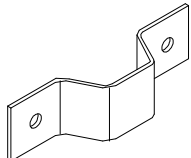
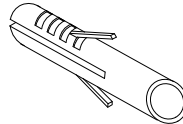

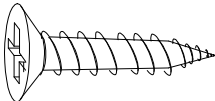

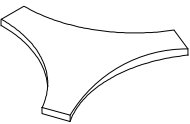
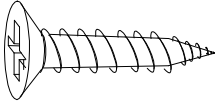

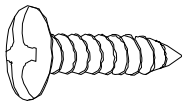
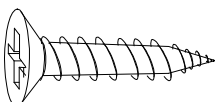
REMOTE -1PC

R



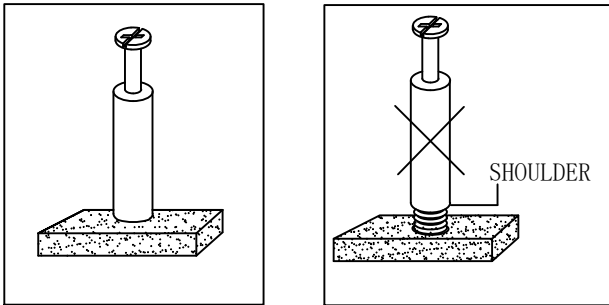
LOGSET -1PC

NOTE: THE SURFACE WITH THE STICKER IS THE BACK SIDE.

<p>1</p>  <p>CAM-BOLTS-2PCS</p>	<p>2</p>  <p>CAM-LOCKS-2PCS</p>	<p>3</p> <p>11*1-1/4"L</p>  <p>BOLT-7PCS</p>
<p>4</p>  <p>SPRING WASHER-7PCS</p>	<p>5</p>  <p>FLAT WASHER-7PCS</p>	<p>6</p>  <p>HOOK-4PCS</p>
<p>7</p>  <p>ANCHORS-4PCS</p>	<p>8</p>  <p>PLASTIC TIE-2PCS</p>	<p>9</p> <p>8*1-1/2"L</p>  <p>SCREW-4PCS</p>
<p>10</p>  <p>ALLEN WRENCH-1PC</p>	<p>11</p>  <p>CAM TOOL-1PC</p>	<p>12</p> <p>8*1"L</p>  <p>SCREW-4PCS</p>
<p>13</p>  <p>DOWELS-12PCS</p>	<p>14</p> <p>7*5/8"L</p>  <p>SCREW-8PCS</p>	<p>15</p> <p>8*3/4"L</p>  <p>SCREW-14PCS</p>

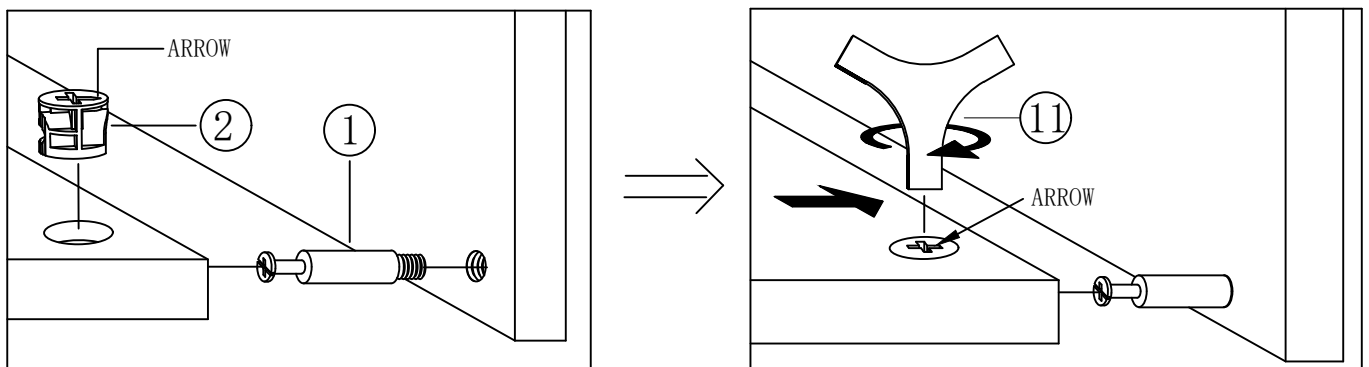
NOTE: THE SURFACE WITH THE STICKER IS THE BACK SIDE.

NOTE: ● UPON OPENING, THOROUGHLY CLEAN ALL WOOD SURFACES TO REMOVE DUST AND DIRT THAT MAY HAVE SETTLED ONTO FINISH DURING SHIPMENT. IN ORDER TO PREVENT DAMAGE DURING ASSEMBLY, PLEASE ASSEMBLE THIS ITEM WITH AT LEAST TWO PEOPLE.

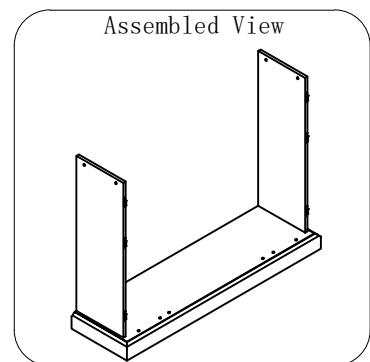
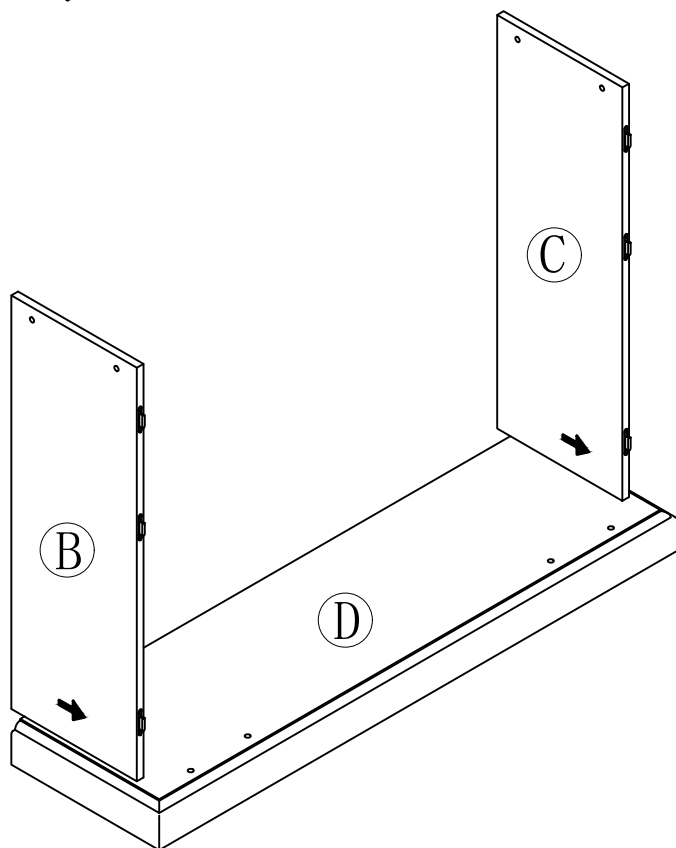
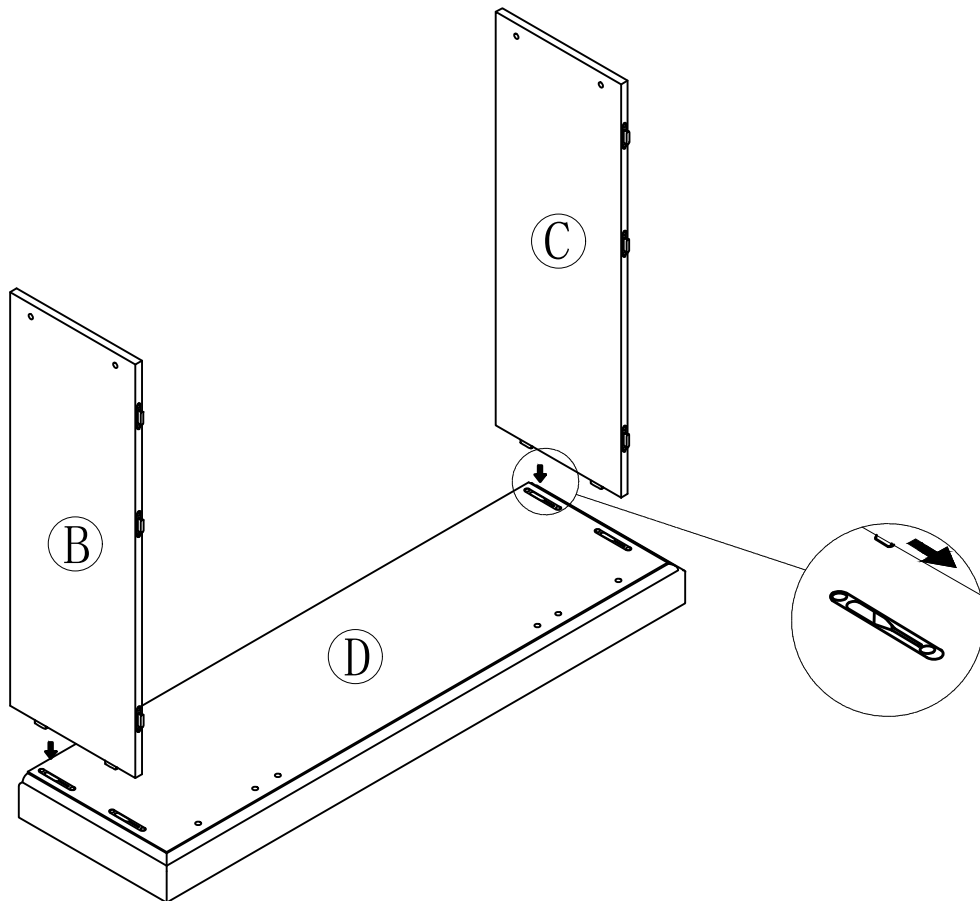


NOTE: TURN THE CAM-BOLT SCREWS UNTIL THEY ARE TIGHT, THE SHOULDER SHOULD BE AGAINST THE SURFACE OF THE PART.

HOW TO USE THE CAM-TOOL

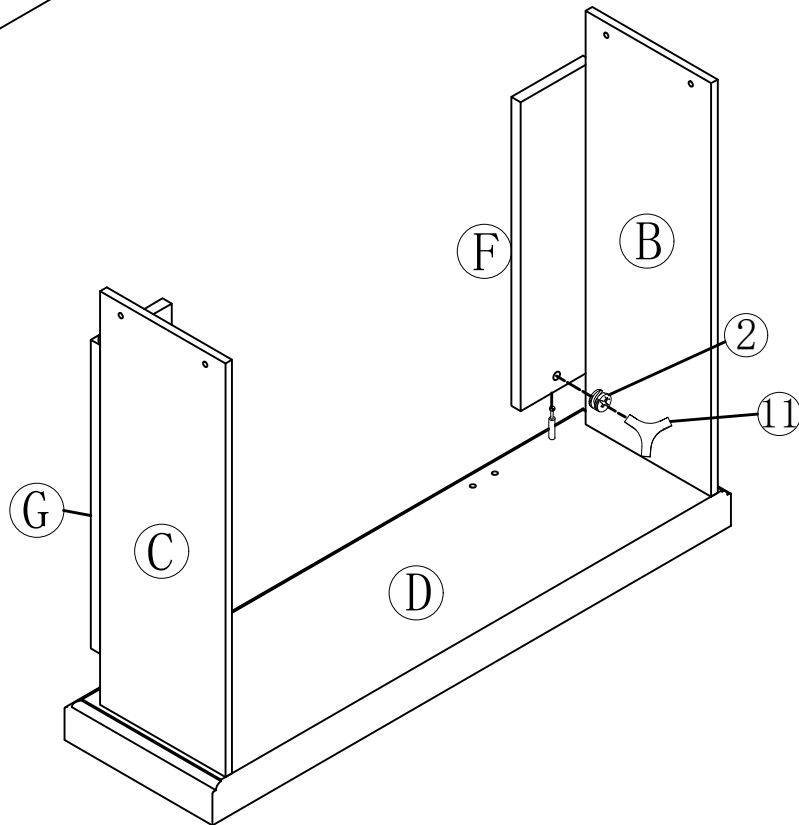
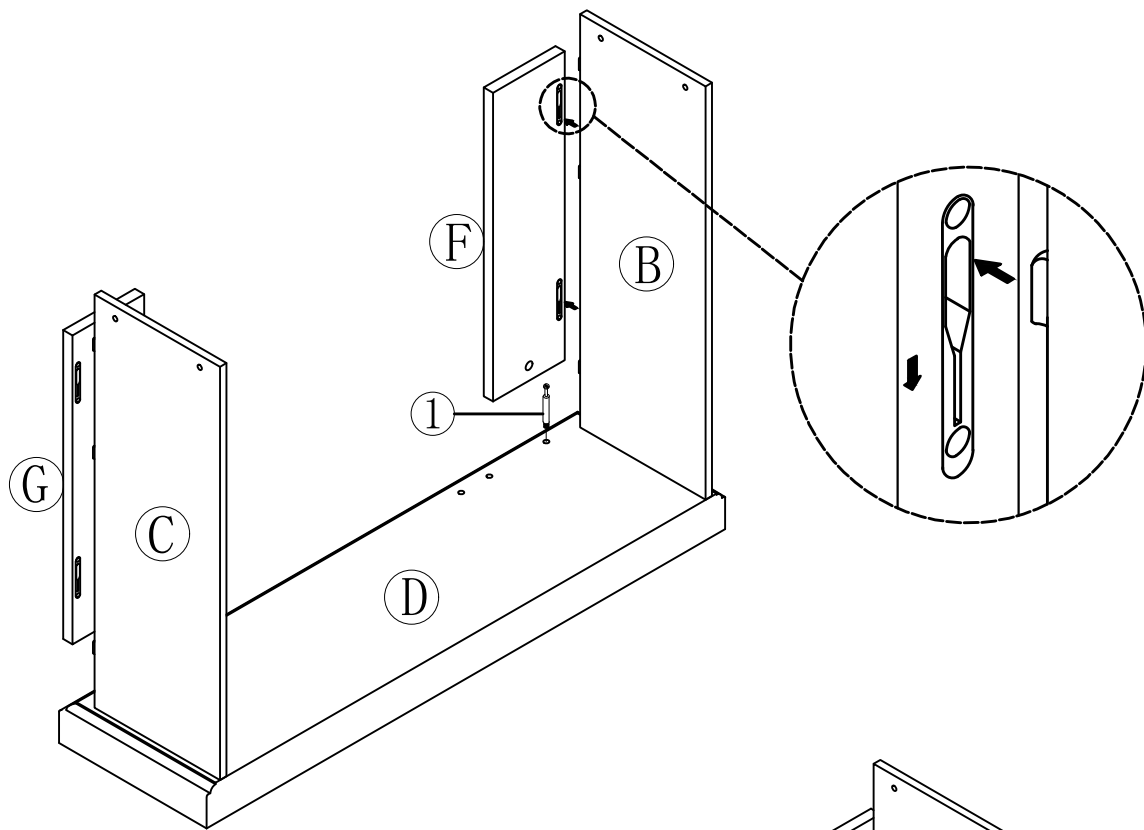


NOTE: ● THE ARROWS ON THE HIDDEN CAM-LOCKS SHOULD POINT TO THE CAM-BOLTS



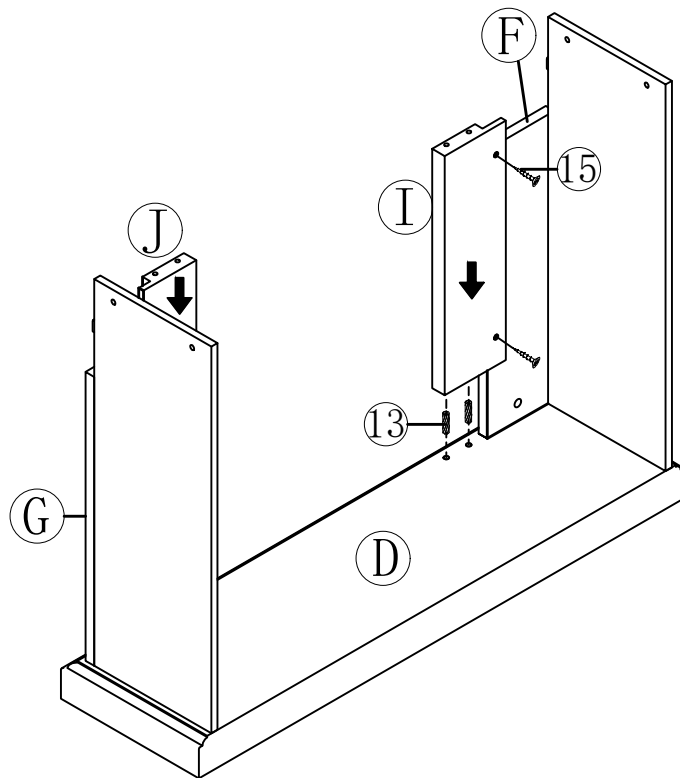
1). ATTACH THE LEFT AND RIGHT SIDE PANELS (B,C)

- ALIGN THE LEFT AND RIGHT SIDE PANELS (B/C) WITH THE BOTTOM PANEL (D).
- INSERT THE TABS INTO THE SLOTS AND SLIDE INTO PLACE.



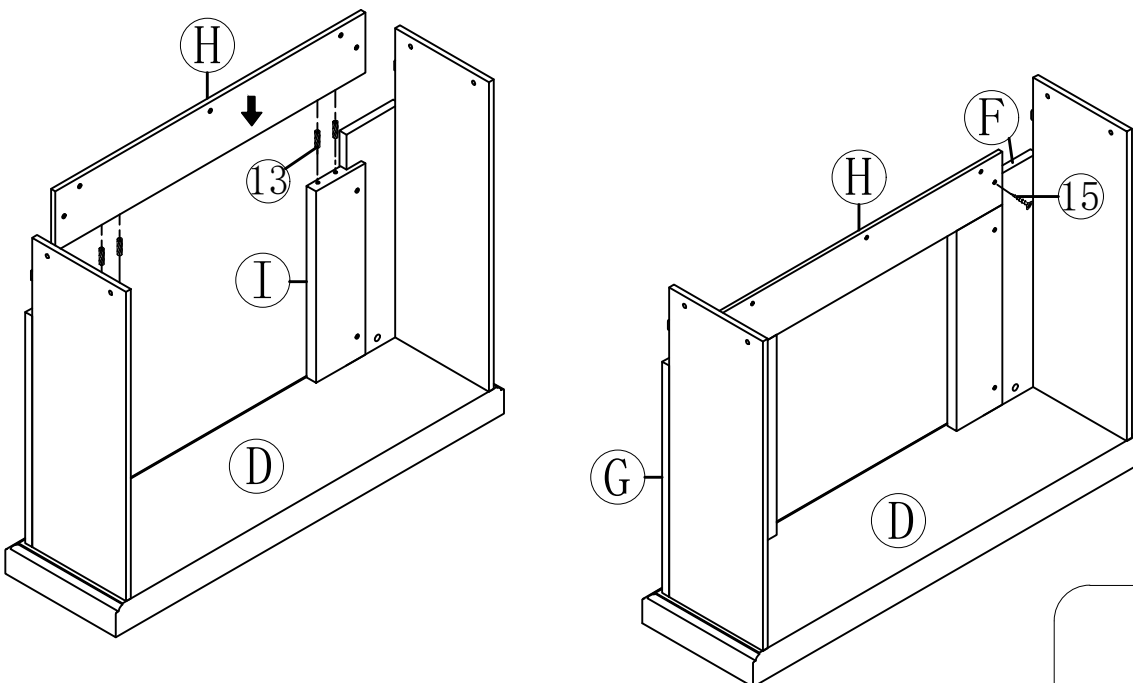
2). ATTACH THE FRONT LEFT AND RIGHT PANELS (F, G)

- INSERT 2 CAM BOLTS (1) INTO THE HOLES OF BOTTOM PANEL (D).
- ALIGN THE FRONT LEFT PANEL (F) AND FRONT RIGHT PANEL (G) AND SLIDE INTO PLACE.
- SECURE PANELS (F, G) TO PANEL (D) USING 2 CAM-LOCKS (2).



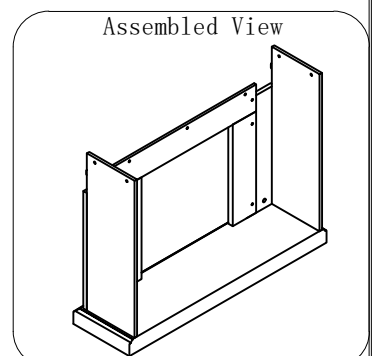
3). ATTACH THE LEFT AND RIGHT DECORATIVE PANELS (I/J)

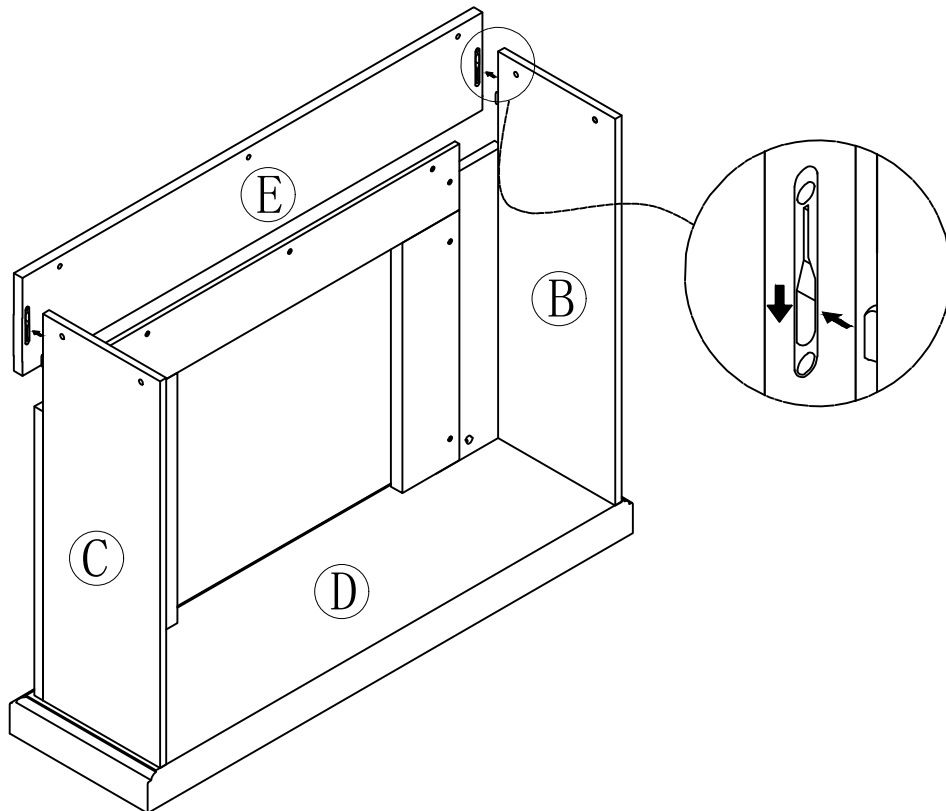
- INSERT 4 DOWELS (13) INTO THE HOLES OF BOTTOM PANEL (D).
- ALIGN THE LEFT DECORATIVE PANEL (I) AND RIGHT DECORATIVE PANEL (J) AND SLIDE INTO PLACE.
- SECURE PANELS (I/J) TO PANELS (F/G) USING 4 SCREWS (15).



4). ATTACH THE FRONT DECORATIVE PANEL (H)

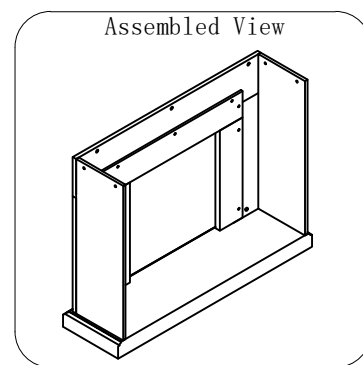
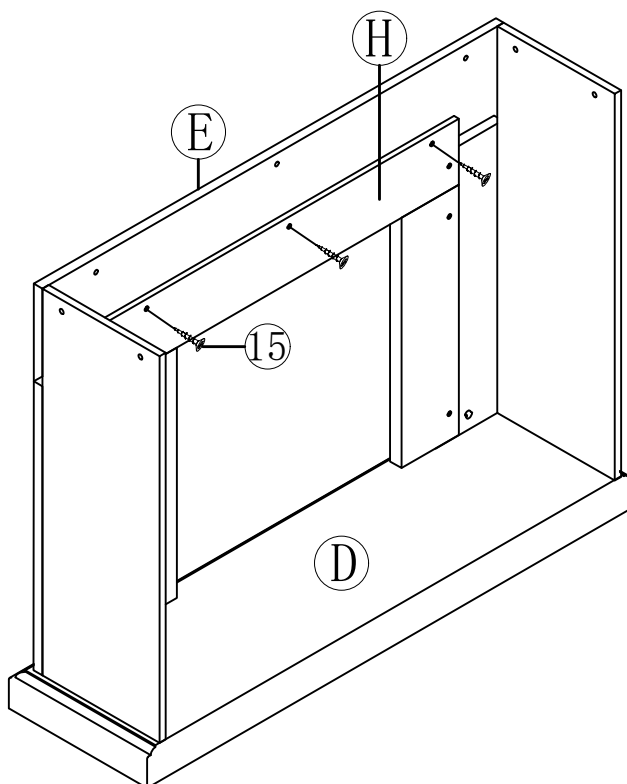
- INSERT 4 DOWELS (13) INTO THE HOLES OF LEFT AND RIGHT DECORATIVE PANELS (I/J).
- ALIGN THE FRONT DECORATIVE PANEL (H) AND SLIDE INTO PLACE.
- SECURE PANEL (H) TO PANELS (F/G) USING 2 SCREWS (15).





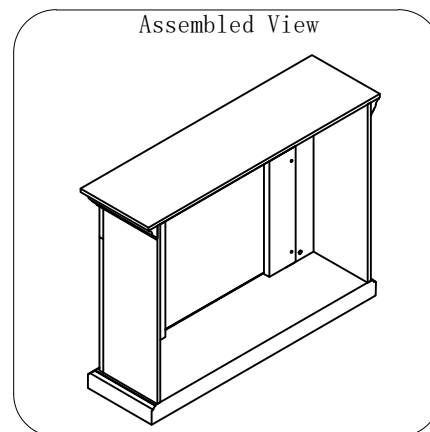
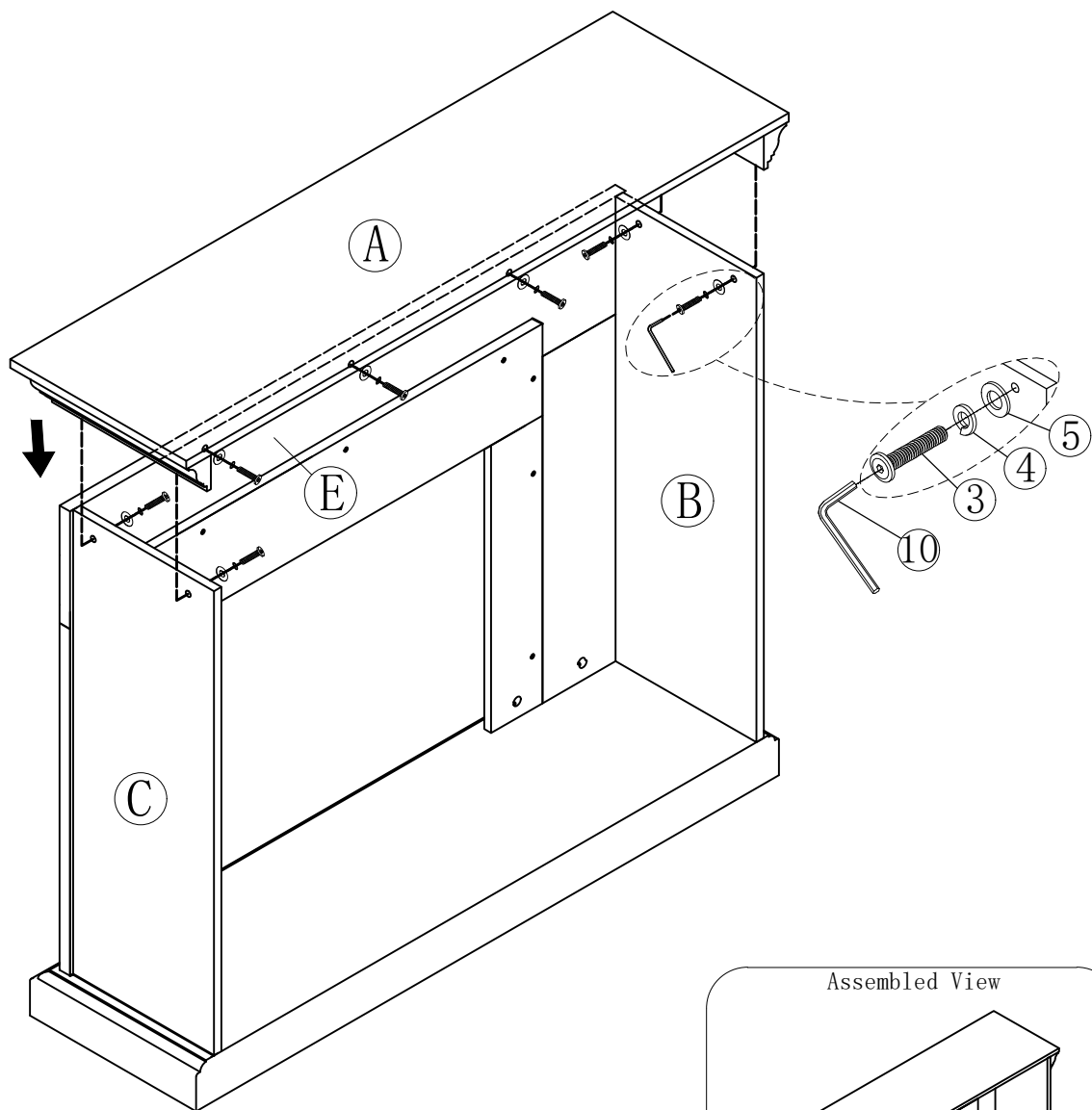
5). ATTACH THE UPPER FRONT PANEL (E)

- ALIGN THE UPPER FRONT PANEL (E) WITH THE LEFT AND RIGHT SIDE PANELS (B/C).
- INSERT THE TABS INTO THE SLOTS AND SLIDE INTO PLACE.



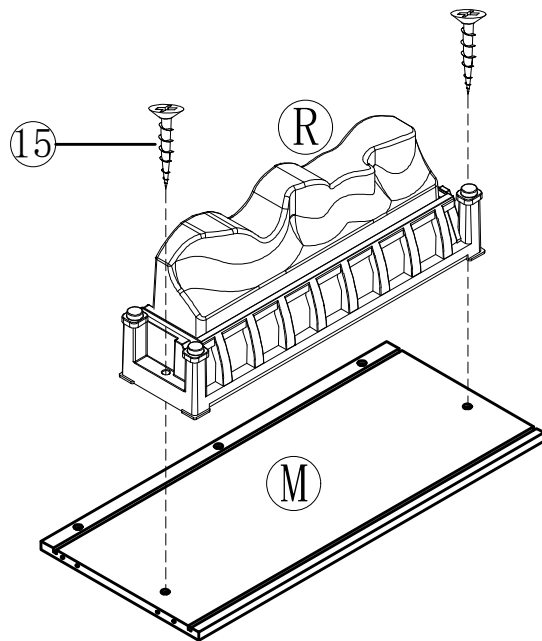
6). SECURE THE FRONT DECORATIVE PANEL (H)

- SECURE PANEL (H) TO PANEL (E) USING 3 SCREWS (15).



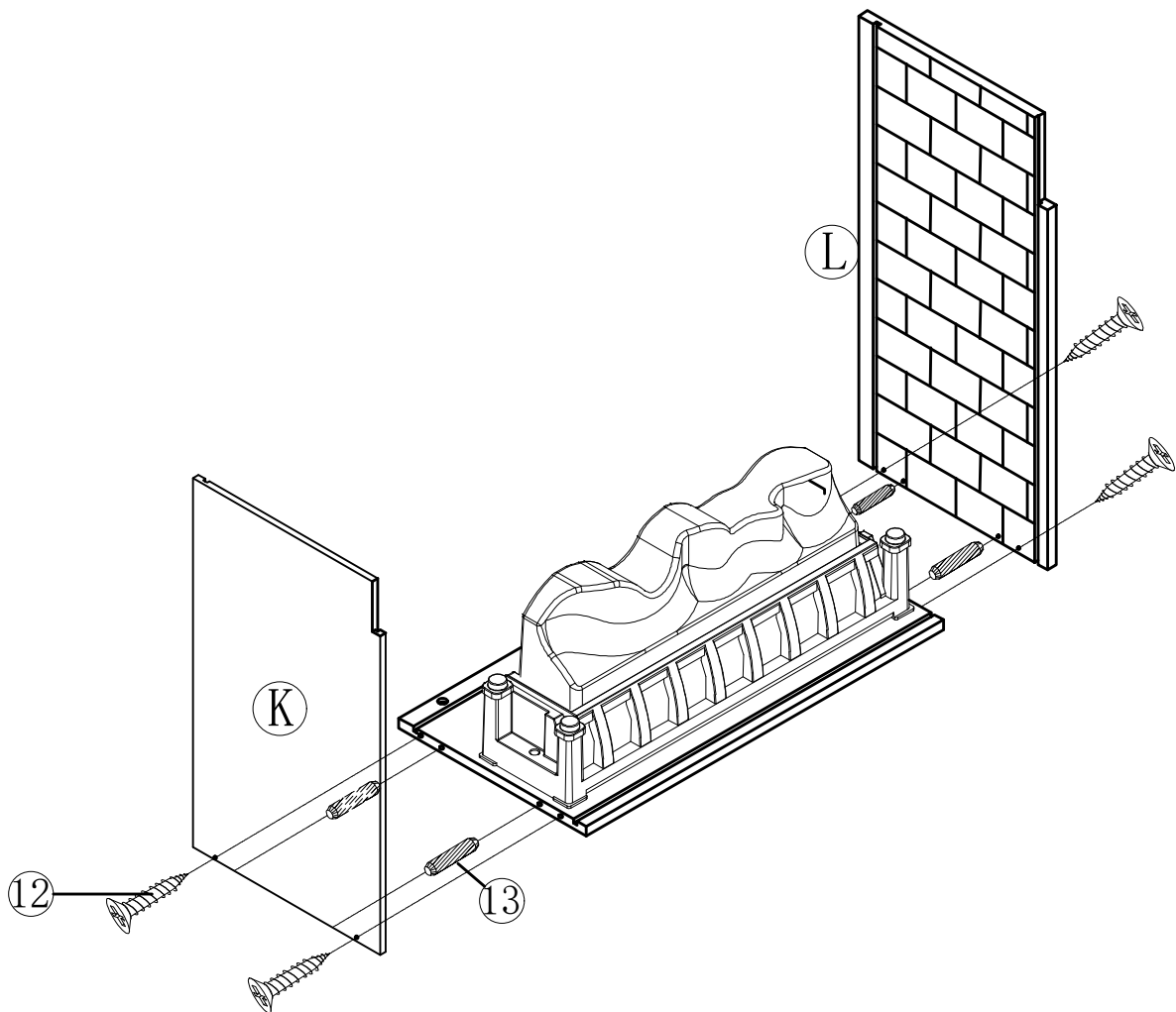
7). ATTACH THE TOP PANEL (A)

- ALIGN THE TOP PANEL (A) WITH THE LEFT AND RIGHT SIDE PANELS (B/C) AND UPPER FRONT PANEL (E).
- INSERT 7 BOLTS (3) THROUGH 7 FLAT WASHERS (5) AND 7 SPRING WASHERS (4) INTO THE PRE-DRILLED HOLES.
- TIGHTEN ALL 7 BOLTS FULLY USING ALLEN WRENCH (10).



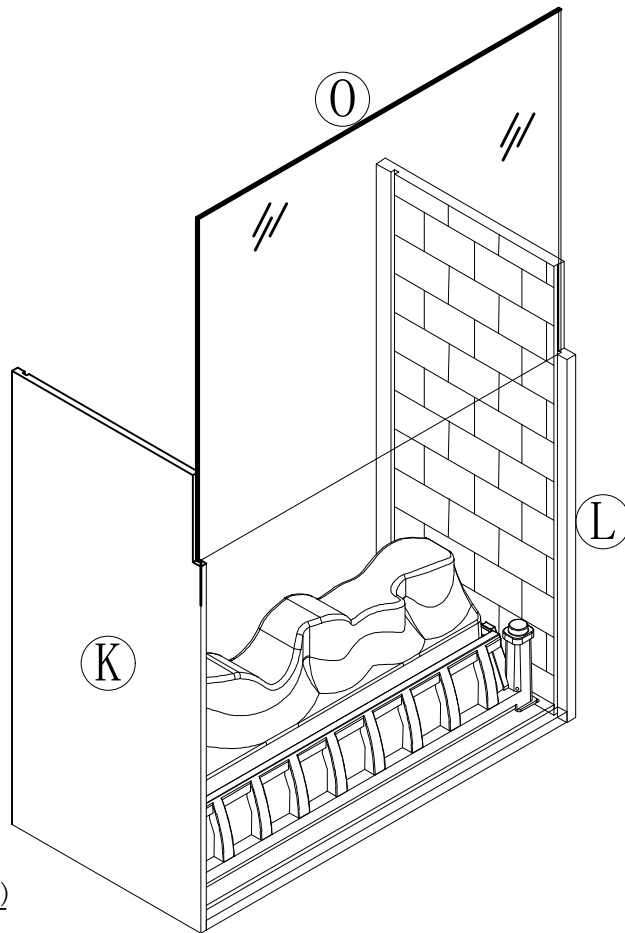
8). ATTACH THE FIREPLACE AND LOGSET (R)

- PLACE THE FIREPLACE INSERT WITH LOGSET (R) ONTO THE BOTTOM PANEL OF INSERT (M).
- SECURE USING 2 SCREWS (15).



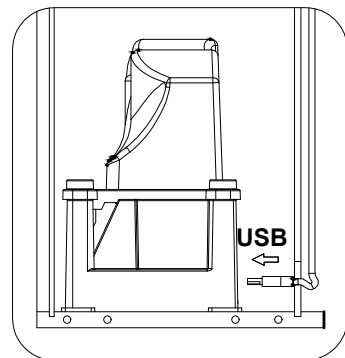
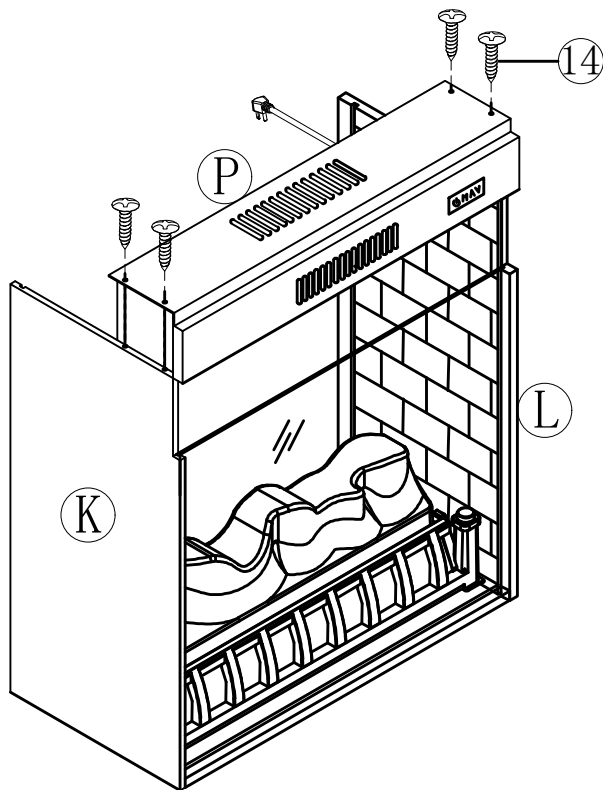
9). ATTACH THE LEFT AND RIGHT SIDE PANELS OF INSERT (K, L)

- INSERT 4 DOWELS (13) INTO THE BOTTOM PANEL OF INSERT (M).
- ALIGN THE LEFT SIDE PANEL (K) AND RIGHT SIDE PANEL (L) AND SLIDE INTO PLACE.
- SECURE PANELS (K/L) TO PANEL (M) USING 4 SCREWS (12).

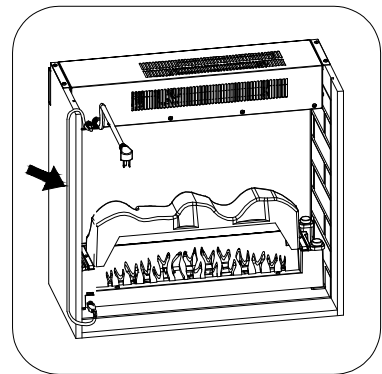


10). ATTACH THE GLASS PANEL (O)

- SLIDE THE GLASS (O) INTO THE GROOVES ON THE FRONT OF LEFT AND RIGHT SIDE PANELS OF INSERT (K/L).



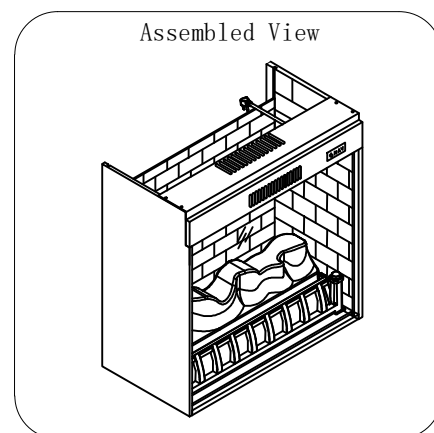
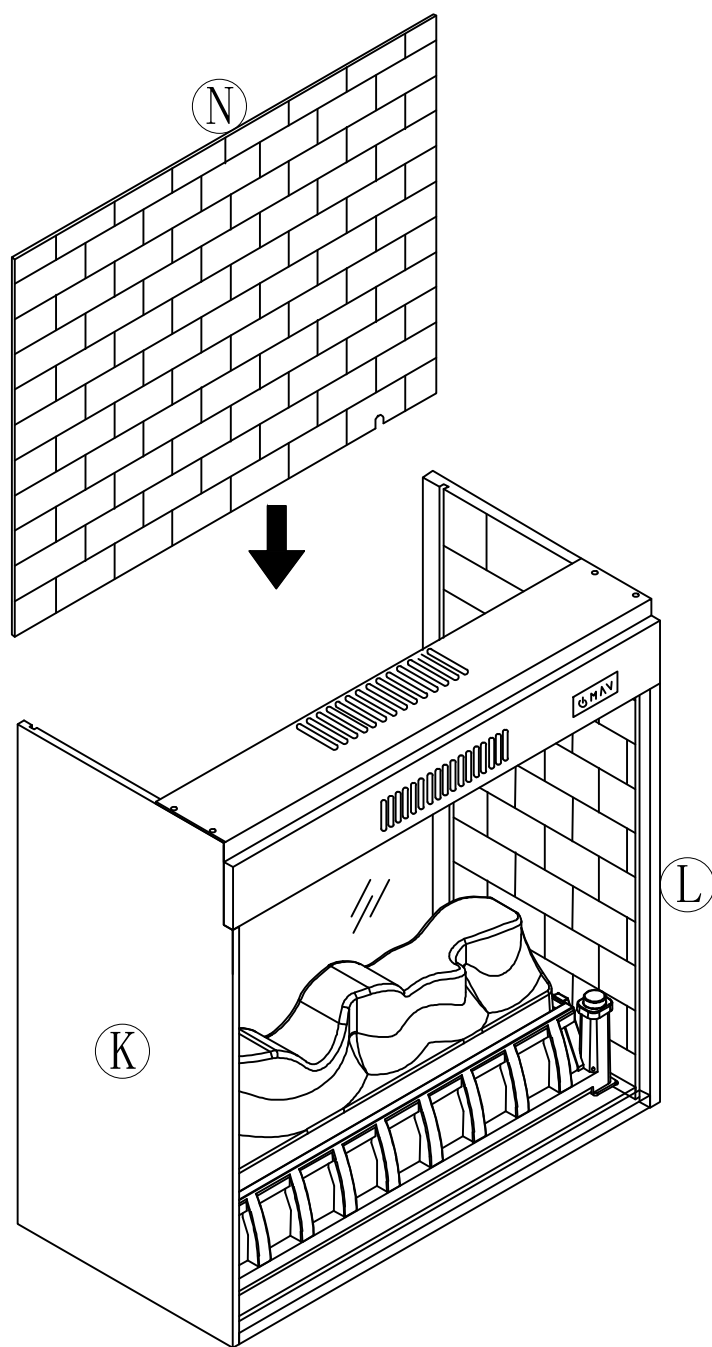
Attach Heater USB to logset as shown.



Make sure Power cable and USB cable put at side before proceed to next step.

11). INSTALL THE HEATER (P)

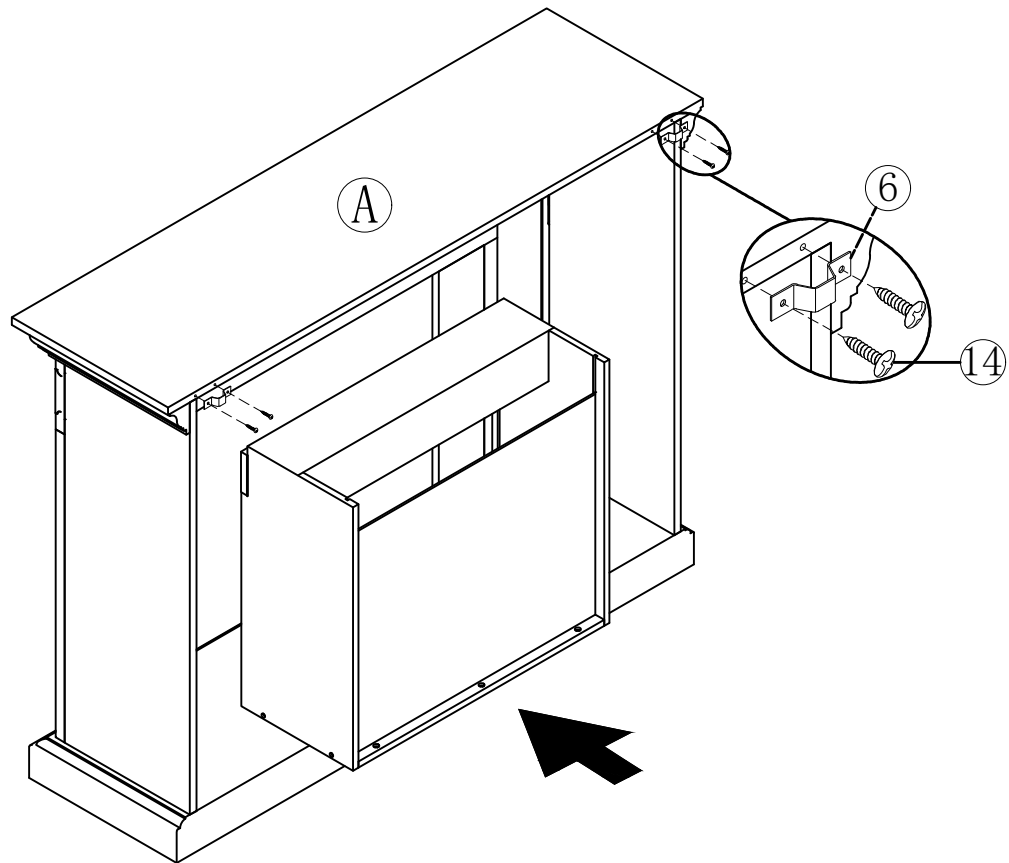
- OPEN THE SIDE PANELS (K/L) SLIGHTLY SIDEWAYS.
- INSERT THE HEATER (P) INTO THE SIDE PANELS WITH 4 SCREWS (14).
- PLUG THE USB TO FLAME ASSEMBLY.



Note: Please make sure all the cables pass through the back pane,
 not placed inside of the electric fireplace.
 Completed heater assembly is intended to insert to fixed cabinet before use.

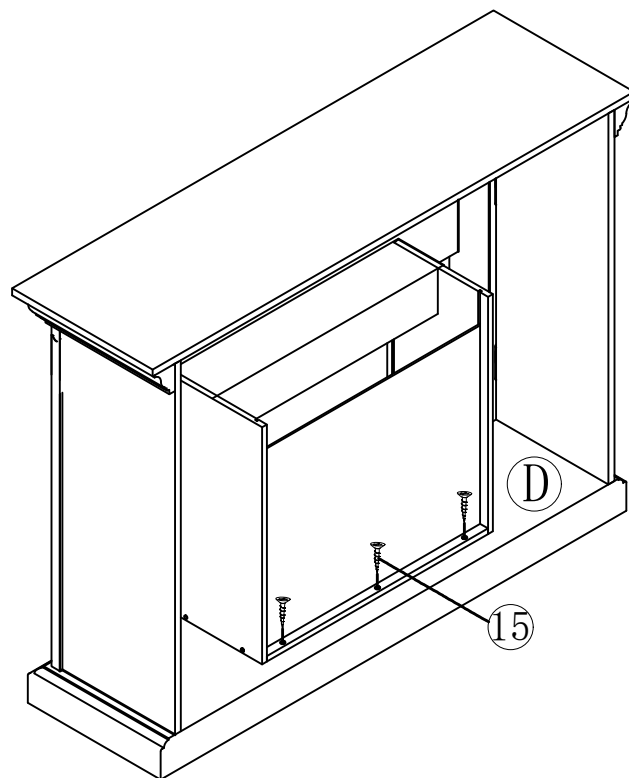
12). ATTACH THE BACK PANEL OF INSERT (N)

- SLIDE THE BACK PANEL (N) INTO THE GROOVES ON THE LEFT AND RIGHT SIDE PANELS (K/L).



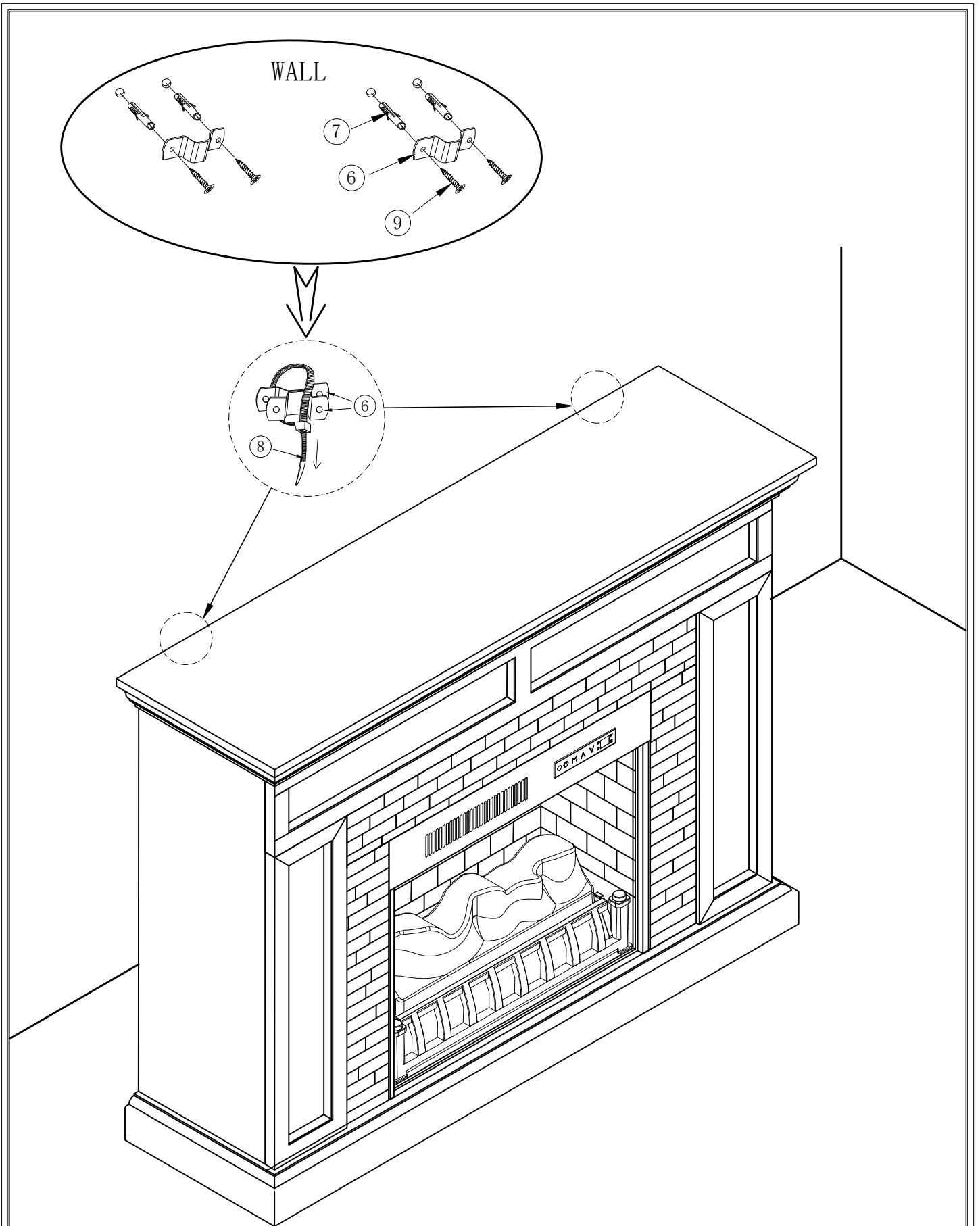
13). ATTACH THE 2 HOOKS (6) & INSTALL THE ASSEMBLED FIREPLACE INSERT

- ATTACH 2 HOOKS (6) TO THE BACK OF TOP PANEL (A).
- SECURE USING 4 SCREWS (14).
- PLACE THE ASSEMBLED INSERT INTO THE MANTEL FROM THE BACK AND CENTER IT IN THE OPENING.



14). FIXING THE ASSEMBLED FIREPLACE

- SECURE THE INSERT TO BOTTOM PANEL (D) USING 3 SCREWS (15).



15). ASSEMBLE THE ANTI-TIP HARDWARE.

- DRILL 4 HOLES INTO THE WALL, PLEASE REFER TO THE REAR TOP FRAME HOLE DISTANCE AND HEIGHT.
- PUT 4 ANCHORS(7) INTO THE HOLES IN THE WALL, AND ROTATE 4 SCREWS(9) INTO THE ANCHORS(7).
- CONNECT THE TWO HOOKS(6) WITH A PLASTIC BELT(8).

INSTALLATION

Follow the mantel installation in the manual to install the insert into the mantel.

CAUTION- High temperature, risk of fire, keep electrical cords, drapery, furnishings, and other combustibles at least 3 feet (0.9 m) from the front of the heater and away from the side and rear.

To reduce the risk of fire, do not store or use gasoline or other flammable vapors and liquids in the vicinity of the heater.

OPERATING INSTRUCTIONS

Note: Heater must be properly installed before it is used.



Power Button

- Pressing the power button on will turn ON or OFF the unit.
- When the unit is in ON mode, the power icon indicator light will be shown green.
- When the unit is in OFF mode, the power icon indicator light will be shown red. When power OFF, unit will be stopped, if heater is working before power OFF the unit, fan will have 20 seconds delay to ensure heat will not be trapped inside the unit.

Note: Each time the unit is plugged in, fan and heater will turn on for 5 seconds for internal check program.

Note: The unit has a memory function with last settings for heating level and flame brightness effect, unless the main power to the unit has been interrupted.



Mode Button

- Press the mode button to cycle through the different functions. Each time the mode button is pressed, the mode will enter the next function - Temperature, Timer, Flame Brightness or Flame Speed.

Temperature Setting

- The temperature mode controls the heater's thermostat setting.
- Press UP Arrow Button or Down Arrow Button to scroll through the pre-set temperature range from 59°F (15°C) to 86°F (30°C), ON&OF (OFF).

- Hold the mode button for 3s, this allows the temperature unit changing from °C to °F or °F to °C. The unit default is °F.

Note: This function is only available if using the control panel.

- When the ambient temperature is higher than the set temperature, heater will turn off automatically.

OPERATING INSTRUCTIONS

Timer Setting

- The timer setting should be used to set the countdown for the unit's main power.
- Press Up Arrow Button or Down Arrow Button to adjust the timer setting from 0 hour(0.0) to 9 hours with 0.5 hour interval.

Log Brightness Setting

- The log brightness mode should be used to set the log brightness.
- Use Up arrow button or Down arrow button to scroll through the log brightness settings: L0 (lowest), L1, L2, L3, L4, L5 (brightest).

Flame Brightness Setting

- The flame brightness mode should be used to set the flame brightness.
- Use Up arrow button or Down arrow button to scroll through the flame brightness settings: F0 (Flame OFF, only lowest brightest on ember bed), F1, F2, F3, F4, F5 (brightest).

Flame Color Setting

- The flame brightness mode should be used to set the flame brightness.
- Use Up arrow button or Down arrow button to scroll through the flame brightness settings: C1, C2, C3, C4

Setting	Color
C1	Yellow
C2	Red

Setting	Color
C3	Yellow + Red
C4	Auto Change (Fade In / Fade Out)



UP Arrow Button

- Use up arrow button to increase the setting of the selected function.



Down Arrow Button

- Use down arrow button to decrease the setting of the selected function.

Heater Lock

Activate Heater Lock

When the unit is ON, hold the POWER button for 10 seconds to activate the Heater Lock function. E3 will be displayed and a beep sounds 3 times to indicate the Heater Lock function has activated, only heater function key is locked. When pressing Heater button E3 will be displayed that indicate the Heater Lock function activate.

Inactivate Heater Lock

To inactivate the Heater Lock function, hold the POWER button for 10 seconds.

Note: Heater lock function is only available if using the control panel.

CARE AND MAINTENANCE

- ◆ Make sure the unit is turned OFF, unplugged and the heating elements of heater are cool whenever you are cleaning the heater.
- ◆ The heater shall be cleaned monthly, clean the metal trim using a water-dampened soft, clean cloth. DO NOT use brass polish or household cleaners as these products will damage the metal trim.
- ◆ The motors used on the fan and the flame generator assembly are pre-lubricated for extended bearing life and require no further lubrication. However, periodic cleaning/vacuuming of the fan/heater and air intake/output vents is recommended.
- ◆ Any other servicing should be performed by an authorized service representative.

WARNING: Make sure the power is turned off before proceeding. Any electrical repairs or rewiring of this unit should be carried out by a licensed electrician in accordance with national and local codes.

WARNING: If repairing or replacing an electrical component or wiring, the original wire routing, color coding and securing locations must be followed.

WARNING: Electrical outlet wiring must comply with local building codes and other applicable regulations to reduce the risk of fire, electrical shock and injury to persons.

WARNING: Do not use this fireplace if any part of it has been under water. Immediately call a qualified service technician to inspect the fireplace and replace any part of the electrical system.

WARNING: Disconnect power before attempting any maintenance or cleaning to reduce the risk of fire, electrical shock or personal injury.

WARNING: During any service of this appliance, the power to the unit must be turned off. First turn the main power switch to the "OFF" position. Then remove the electrical plug from the wall outlet.

WARNING: When the heater is not in use, the heater should be stored in a dry location, away from possible damage. The power cord should be stored properly to avoid contact with hot or sharp objects.



WARNING

- **INGESTION HAZARD:** This product contains a button cell or coin battery.
- **DEATH** or serious injury can occur if ingested.
- A swallowed button cell or coin battery can cause **Internal Chemical Burns** in as little as **2 hours**.
- **KEEP** new and used batteries **OUT OF REACH OF CHILDREN**
- **Seek immediate medical attention** if a battery is suspected to be swallowed or inserted inside any part of body.



CARE AND MAINTENANCE

Replacing the Remote-Control Battery

When the remote control stops operating or its range seems reduced, it is time to replace the battery.

1. The battery compartment is located on the back of the remote control.
2. Press the small tab inward as you slide the battery door open and remove the old battery.
3. Insert a new CR2025(3V) lithium battery(not included), ensure the batteries are installed correctly according to polarity (+ and -).
4. Re-insert the battery door.



WARNING: Chemical Burn Hazard. Keep Batteries away from Children

This product contains a lithium button/coin cell battery. If a new or used lithium button/coin cell battery is swallowed or enters the body, it can cause severe internal burns and can lead to death in as little as 2 hours. Always completely secure the battery compartment. If the battery compartment does not close securely, stop using the product, remove the batteries, and keep it away from children. If you think batteries might have been swallowed or placed inside any part of the body, seek immediate medical attention.

Note: Non-rechargeable battery is not to be recharged. Exhausted battery is to be removed from the product. Harmful if swallowed. Do not force discharge, recharge, disassemble, heat above (60°C) or incinerate. Doing so may result in injury due to venting, leakage or explosion resulting in chemical burns.

Even used batteries may cause severe injury or death. Call a local poison control center for treatment information. Remove and immediately recycle or dispose of battery from equipment not used for an extended period of time according to local regulations. Do NOT dispose of batteries in household trash or incinerate.

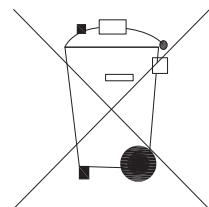
Do not mix old and new batteries, different brands or types of batteries, such as alkaline, carbon-zinc, or rechargeable batteries.

Disposal of Used Battery

Remove and immediately recycle or dispose of used batteries according to local regulations and keep away from children. Do NOT dispose of batteries in household trash or incinerate.

A battery may contain hazardous substances that could be endangering to environment and human health.

- ◆ This symbol marked on the battery and/or packaging indicates that used battery shall not be treated as municipal waste. Instead it shall be left at the appropriate collection point for recycling.
- ◆ By ensuring the used battery is disposed of correctly, you will help prevent potential negative consequences for the environment and human health. The recycling of materials will help to conserve natural resources.



CARE AND MAINTENANCE

TROUBLE SHOOTING GUIDE

PROBLEM	POSSIBLE CAUSE	SOLUTION
1. No power, logs do not glow.	1. The unit does not have power.	1. Check that unit is plugged into a standard 120 volt outlet. Then make sure power is set at "ON" position.
2. E1 displayed on control panel.	2. The overheat protection device has been engaged.	2. Unplug unit, wait 5-10 minutes, then the sensor will reset itself. Plug the unit back in and turn on the heater. If the problem persists, call customer service.
3. E2 displayed on control panel.	3. The ambient temperature sensor is broken or not working correctly.	3. Unplug unit, wait 5-10 minutes, then the sensor will reset itself. Plug the unit back in and turn on the heater. If the problem persists, call customer service.
4. E3 displayed on control panel.	4. Heater lock function activate	4. To inactivate the Heater Lock function, holding the Power button for 10 seconds.
5. Fan motor continues to blow after unit is powered off.	5. Normal operation.	5. This is a standard feature; the blower runs for an additional 20 seconds to ensure heat will not be trapped inside the unit.
6. Power cord gets warm to the touch.	6. Normal operation.	6. This is normal for a heater appliance as it requires more current to operate. Check the connections of the appliance cord and the outlet. Make sure the plug fits tightly into the outlet. During use, check the plug and outlet frequently to determine if it is HOT; if so, discontinue use of the appliance and consult with a qualified electrician to check or change the overheating outlet(s).
7. PCB crashed.	7. No function operates, machine does no response and alarm alerts.	7. Frequently use on/off button repeatedly will trigger the PCB protection, unplug unit and wait for 5-10 minutes, then the sensor will reset itself.