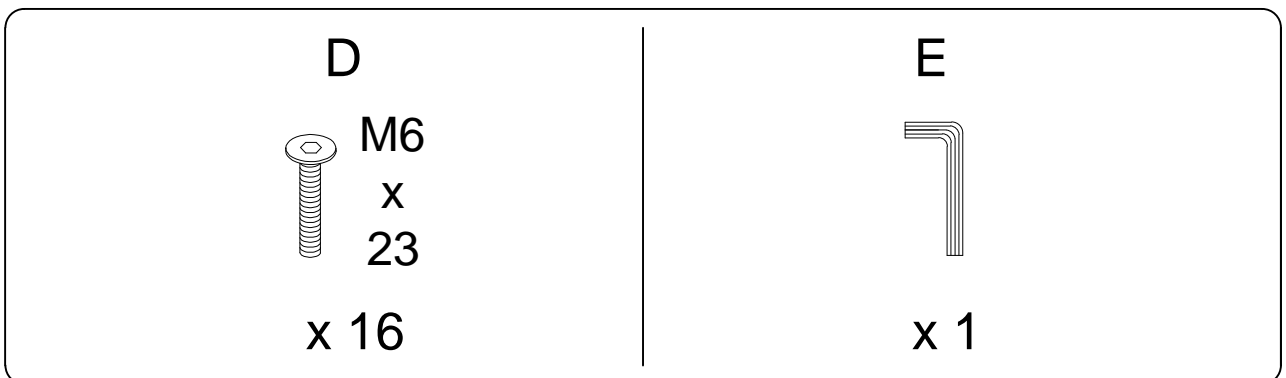
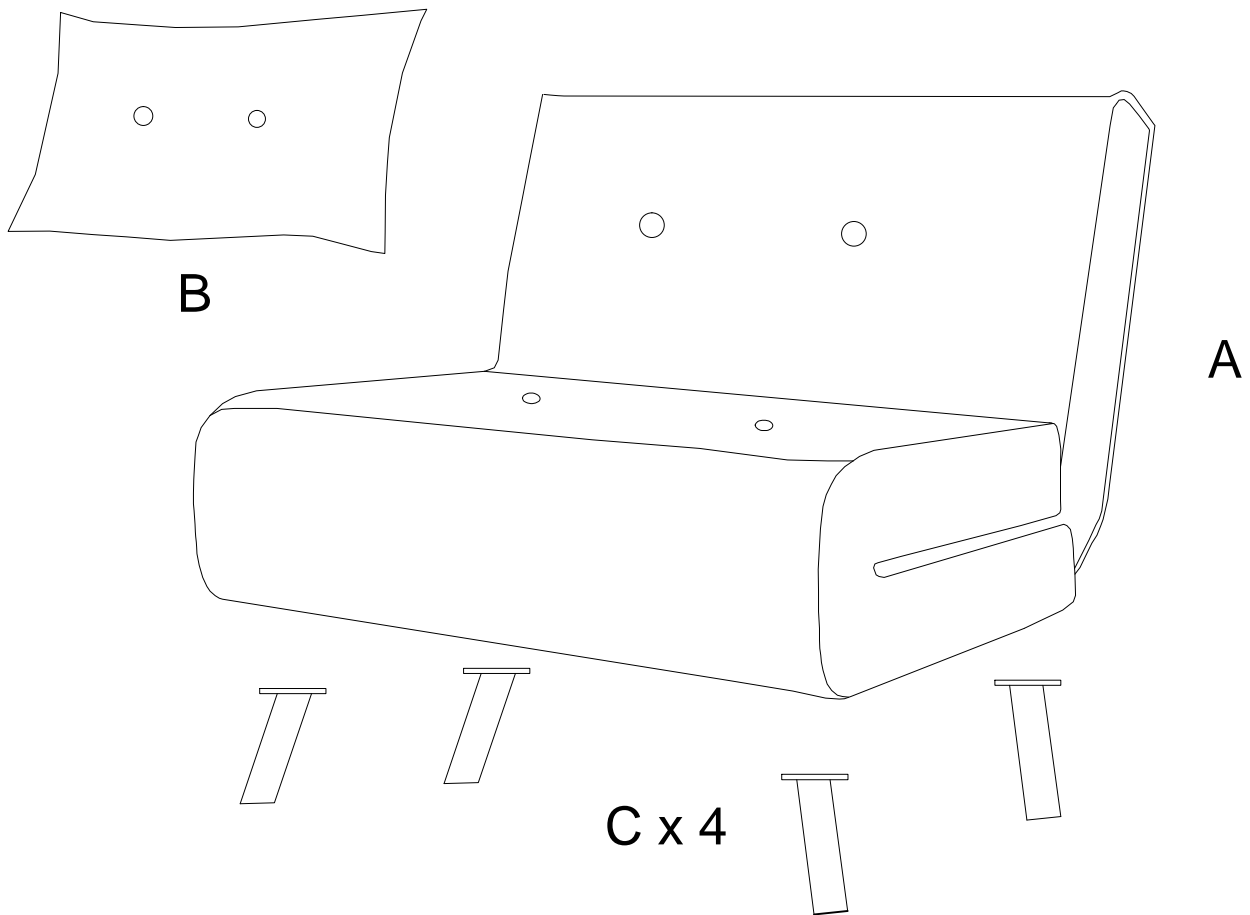
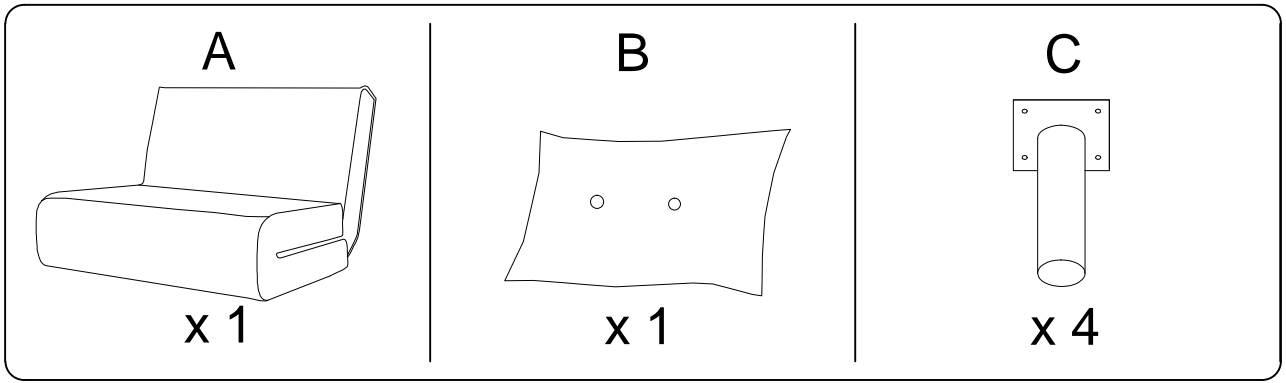
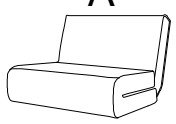
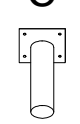
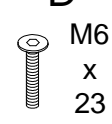



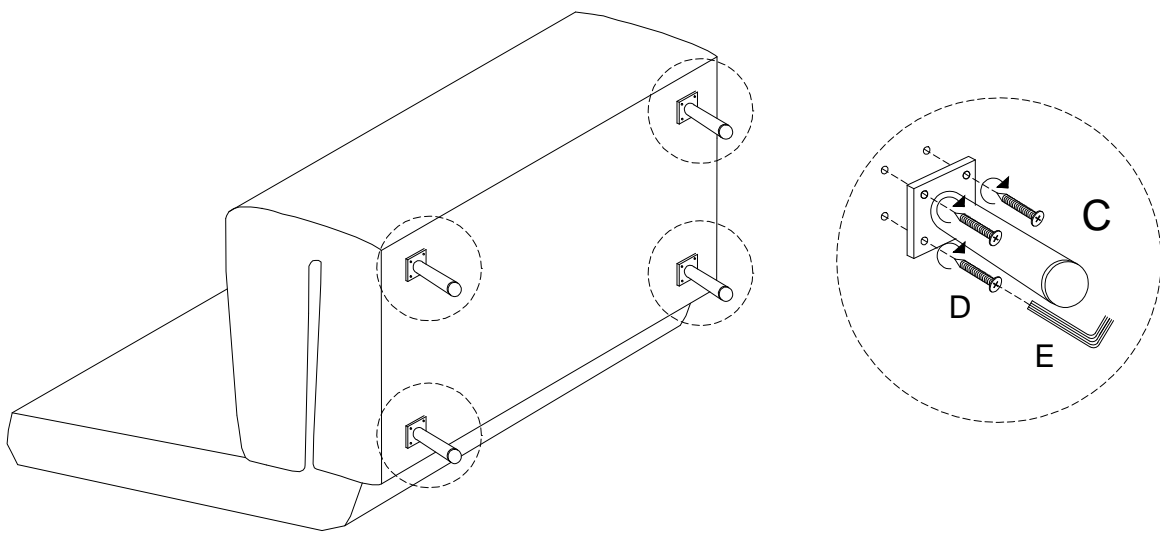
Assembly instructions for the chair's base and backrest:

- Top Section:** Shows an L-shaped metal bracket and a power drill with a slash through it, indicating that a drill should not be used. A warning triangle with an exclamation mark is positioned to the right. Below this is a clock icon and the text "15'", indicating a 15-minute assembly time.
- Bottom Section:** Shows a rectangular block being placed on a textured surface and another block being cut with a saw, both with slashes through them, indicating that the block should not be cut. A warning triangle with an exclamation mark is positioned to the right. Below this is a person icon and the number "1", indicating that one person is required for this step.



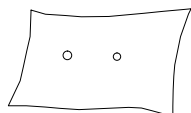
1

<p>A</p>  <p>x 1</p>	<p>C</p>  <p>x 4</p>	<p>D</p> <p>M6 x 23</p>  <p>x 16</p>	<p>E</p>  <p>x 1</p>
---	---	--	---

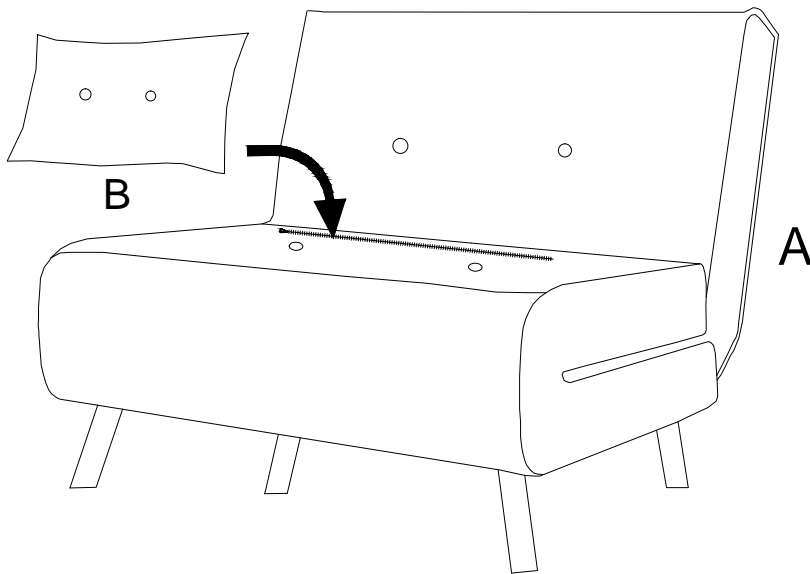


2

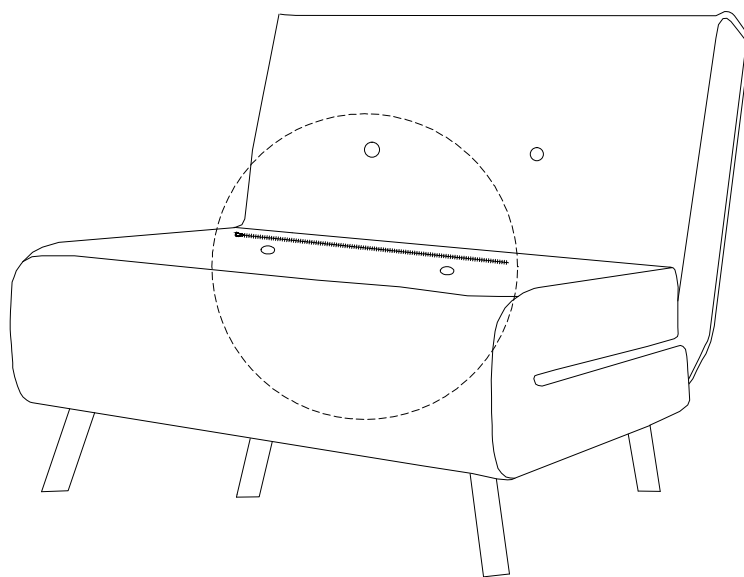
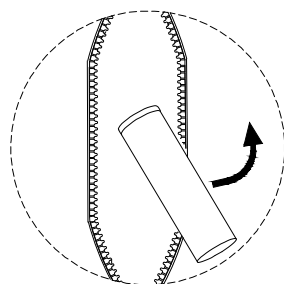
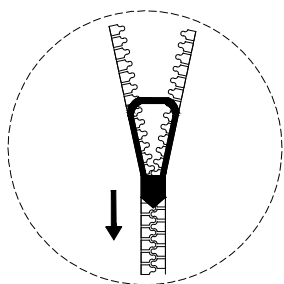
B



x 1



3



4

