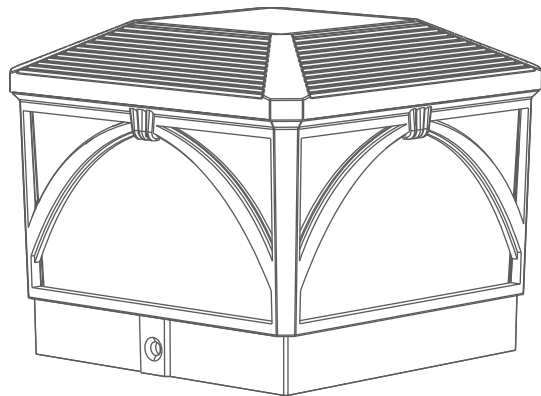


SOLAR POST LIGHT



IMPORTANT: Please read this manual carefully before beginning and keep this manual for future reference

USER MANUAL

NOTES

1. Please remove the film from the solar panel before use.
2. Make sure the switch is ON before using, or the solar post lights won't automatically light or charge and please charging the solar lights at least 10 hours to get fully charged before first use.
3. Locate the solar post lights without shade from trees, or other environments that block sunlight.
4. Fully charged the solar panel under sunlight for 10 hours at the first time use.
5. In cloudy weather or winter, charging time may be longer and working time may be shorter. This is a common feature of solar powered lights and should not be considered as quality problem.

WARNING

1. Please keep the solar panel clean and put it directly in the sun to get enough solar energy to charge.
2. Do not dispose of the product and batteries in fire. When the product or batteries are disposed of in fire, the heat build-up may cause explosion.
3. Do not disassemble the product by yourselves.
4. Please always keep the solar lights distant from other night light sources to keep lighting.

TROUBLESHOOTING

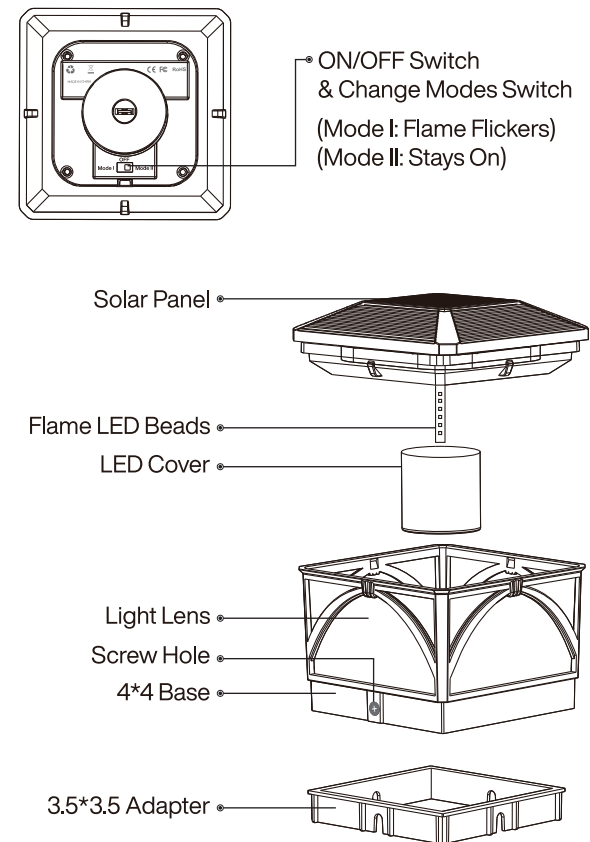
If the light does not turn on at dusk after 24 hours of charging.

- Be sure the solar fixture is in a relatively sunny location.
- Always keep the solar lights distant from other night light sources to keep lighting.
- Please make sure that the installation environment of the solar light is free from any shade.

PRODUCT SPECIFICATION

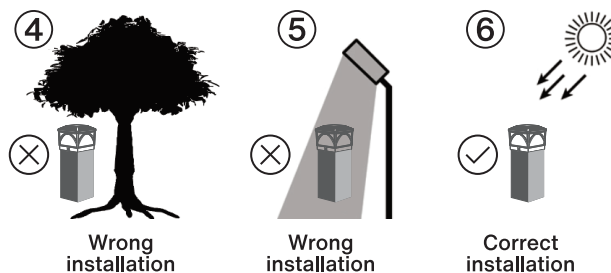
Material	ABS + PC
Power Source	100% Solar-Powered
Lighting Mode	Flame Flickers & Stays On
LED Beads	12 LEDs
Suitable For	4x4" inch Vinyl/Plastic Post and 4x4" inch Wooden Post (True Size: 3.5x3.5")

STRUCTURE



INSTALLATION PLACE NOTES

1. Do not install the solar post lights in sheltered places.
2. Do not install the solar post lights in a place where the other light shines.
3. Be sure to install the solar light where the sun can shine directly on the solar panel.



Thank you very much for supporting our products!