

Tapered Drum Pendant Lighting

Caution: Please turn off power before installation and read the manual carefully, we advise you contact professional electricians to install for safety purpose.

Product Features

Style: Modern

Material: Metal

Color: Black/ White

Base Type: E12

Light Source Included: NO

Voltage: 120VAC

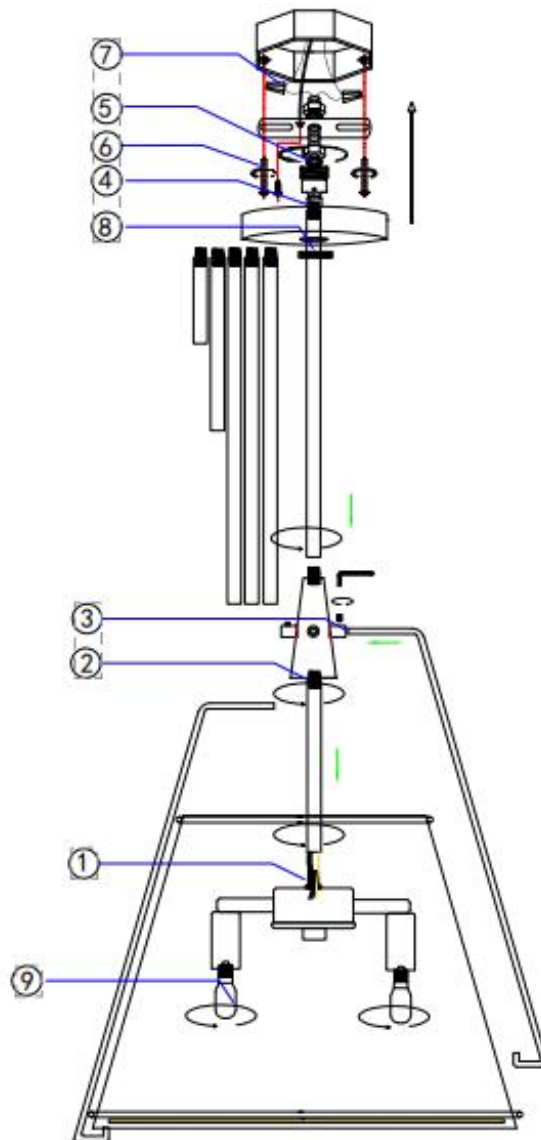
Wattage: 40W

Package includes

1 x Pendant Light

1 x Accessories Kit

1 x User's Manual



Installation Instructions

1. Connect the lamp holder to the internal threading, ensuring the wire passes through the threading
2. Connect the conical metal part to the upper and lower internal threading, adjusting the center rod length as needed
3. Attach the large and small wire rings to the fabric shade, secure the acrylic plate with wire hooks, insert it into the conical metal part, and fix the wire hooks with allen screw
4. Connect the pendant alignment adapter to the center rod, passing the wire through the middle
5. Connect the pendant alignment adapter to the back plate
6. Secure the back plate to the junction box
7. Connect the power cord
8. Cover the canopy, and fix it with the external threading ring
9. Install the light bulb (not included)

Note: please use this product accordingly to its intended purpose, do not retrofit or remodeling the product. The warranty does not cover if the failure is caused by the third party product, or natural disasters.

Made in China