

KING BED ASSEMBLY INSTRUCTION

Thank you for purchasing this quality product. Be sure to check all packing material carefully for small parts which may have come loose inside the carton during shipment. Separate, identify and count all parts and hardware. Compare with the parts list to be sure all parts are present.

IMPORTANT : PLEASE READ INSTRUCTION BEFORE STARTING THE ASSEMBLY.

"DO NOT TIGHTEN SCREWS UNTIL COMPLETELY ASSEMBLED"

"DO NOT OVERTIGHT ANY HARDWARE"

WARNING : SMALL PARTS AND HARDWARE NOT FOR CHILDREN UNDER 3 YEARS. ADULT ASSEMBLY REQUIRED.

TABLE OF CONTENTS

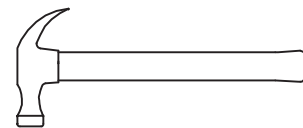
HARDWARES LIST	PAGE 2
PARTS LIST	PAGE 3 - 4
PARTS' LOCATION	PAGE 5
ASSEMBLY STEPS	PAGE 6 - 10
ASSEMBLY COMPLETED	PAGE 10

ASSEMBLY TOOLS REQUIRED

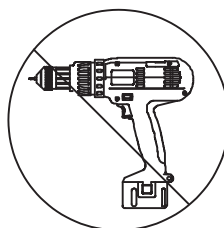
1. Screwdriver (not provide)



2. Hammer (not provide)



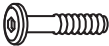









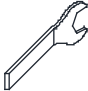


Skip the power drill this time.



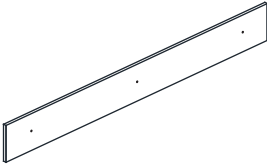
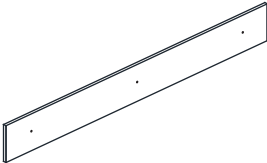
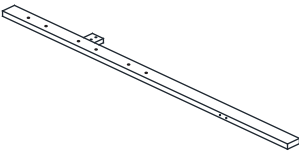
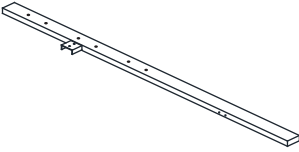
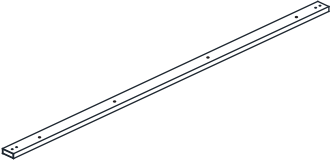
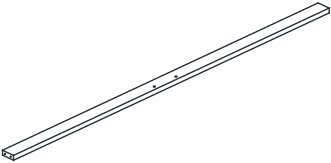

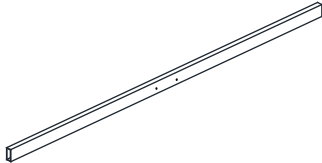
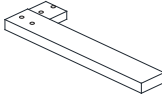
KING BED ASSEMBLY INSTRUCTION

HARDWARES LIST

ITEM	DESCRIPTION	DRAWING	QTY
A	JCBB SCREW M8 x 20MM		4 PCS
B	JCBC SCREW M6 x 15MM		16 PCS
C	JCBC SCREW M6 x 30MM		16 PCS
D	JCBC SCREW M6 x 40MM		3 PCS
E	JCBC SCREW M6 x 70MM		6 PCS
F	SPRING WASHER M6 x 12MM		10 PCS
G	FLAT WASHER M6 x 19MM		8 PCS
H	TRUSS HEAD SCREW M8 x 16MM		9 PCS
I	M5 ALLEN KEY (65MM)		1 PC
J	M4 ALLEN KEY (100MM)		1 PC
K	SUPPORT LEG ADJUSTABLE FEET		1 PC
L	HEX NUT M6 x 10MM		2 PCS
M	SPANNER 10MM		1 PC

KING BED ASSEMBLY INSTRUCTION

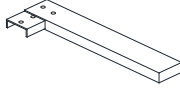
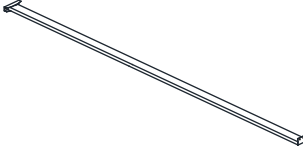
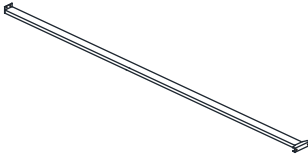
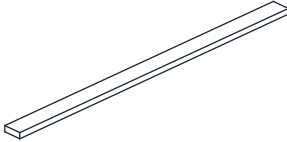
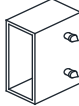
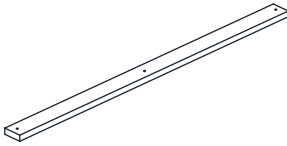
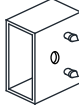
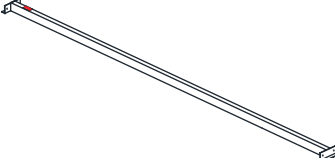

PARTS LIST

ITEM	DESCRIPTION	DRAWING	QTY
1	HEADBOARD PANEL (1)		2 PCS
2	HEADBOARD PANEL (2)		1 PC
3	HEADBOARD LEG WITH LABEL "L"		1 PC
4	HEADBOARD LEG WITH LABEL "R"		1 PC
5	HEADBOARD METAL TUBE (1)		1 PC
6	HEADBOARD METAL TUBE (2)		1 PC
7	METAL FLAT BAR		3 PCS
8	FOOTBOARD METAL TUBE		1 PC
9	FOOTBOARD LEG (L)		1 PC

MORE PARTS DETAIL IN NEXT PAGE...

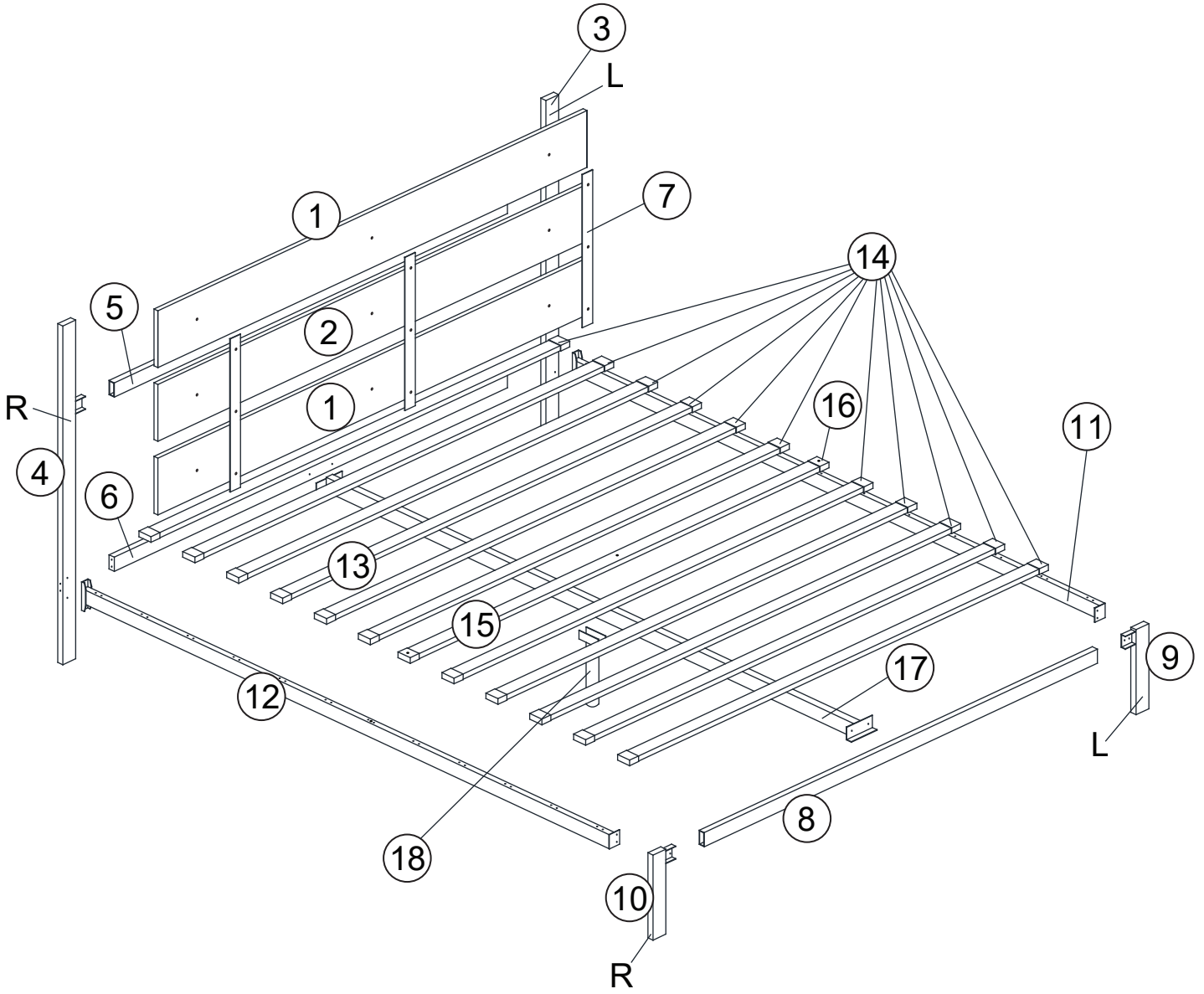
KING BED ASSEMBLY INSTRUCTION

PARTS LIST

ITEM	DESCRIPTION	DRAWING	QTY
10	FOOTBOARD LEG (R)		1 PC
11	SIDE RAIL (L)		1 PC
12	SIDE RAIL (R)		1 PC
13	SLAT		11 PCS
14	SOCKET		22 PCS
15	SLAT WITH HOLE		1 PC
16	SOCKET WITH HOLE		2 PCS
17	CENTER SUPPORT		1 PC
18	CENTER SUPPORT LEG		1 PC

KING BED ASSEMBLY INSTRUCTION

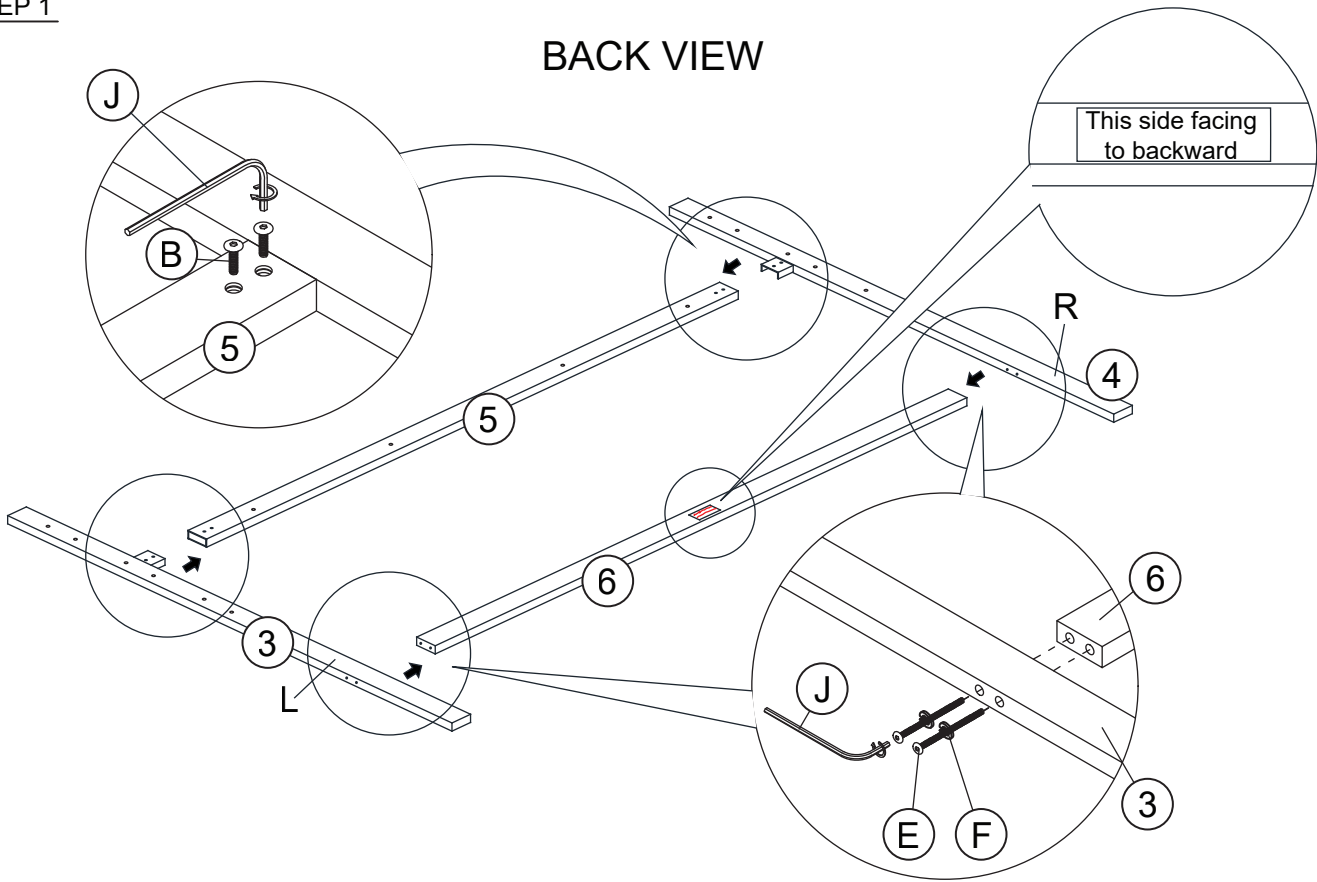
PARTS ' LOCATION



KING BED ASSEMBLY INSTRUCTION

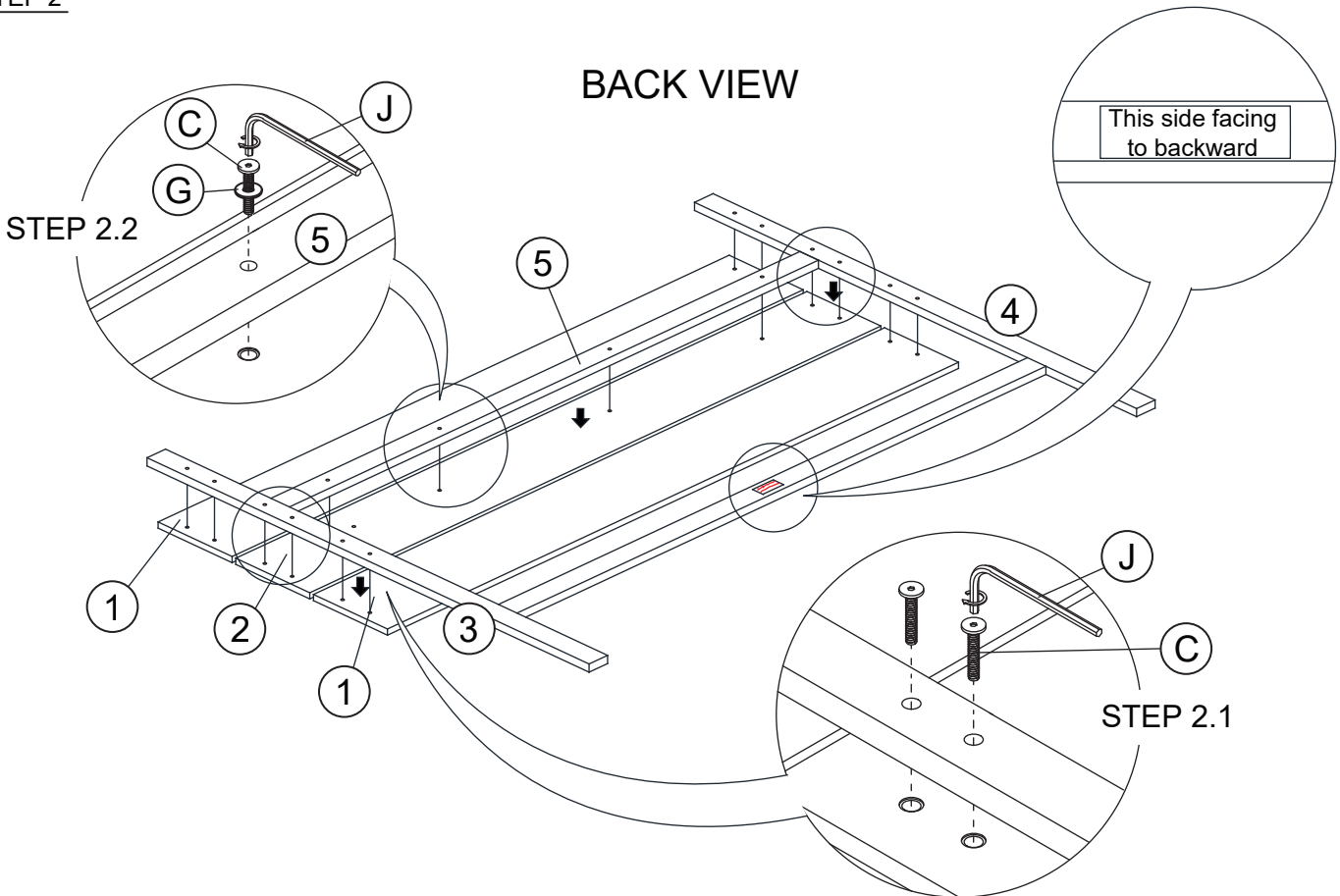
STEP 1

BACK VIEW



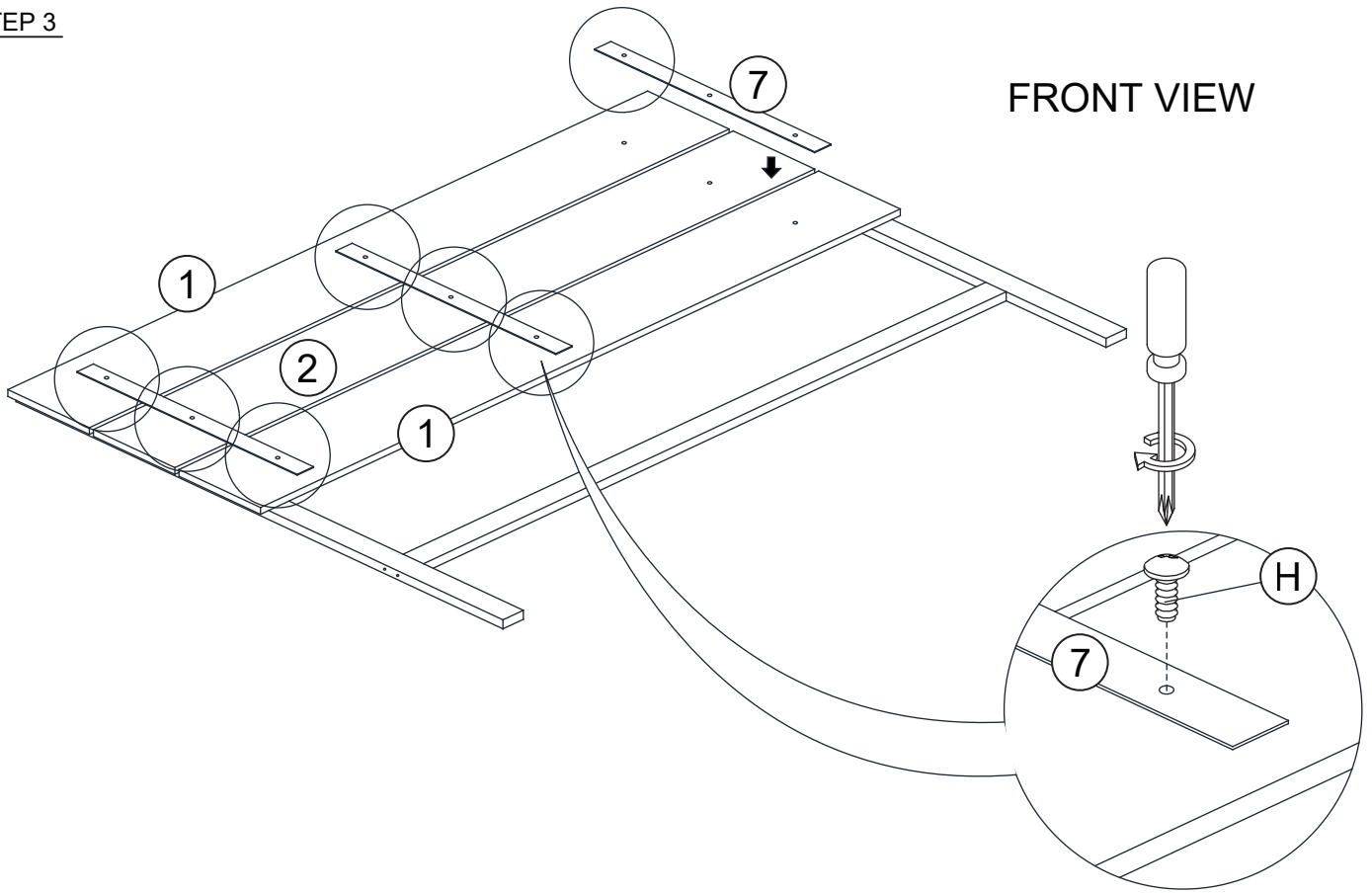
STEP 2

BACK VIEW

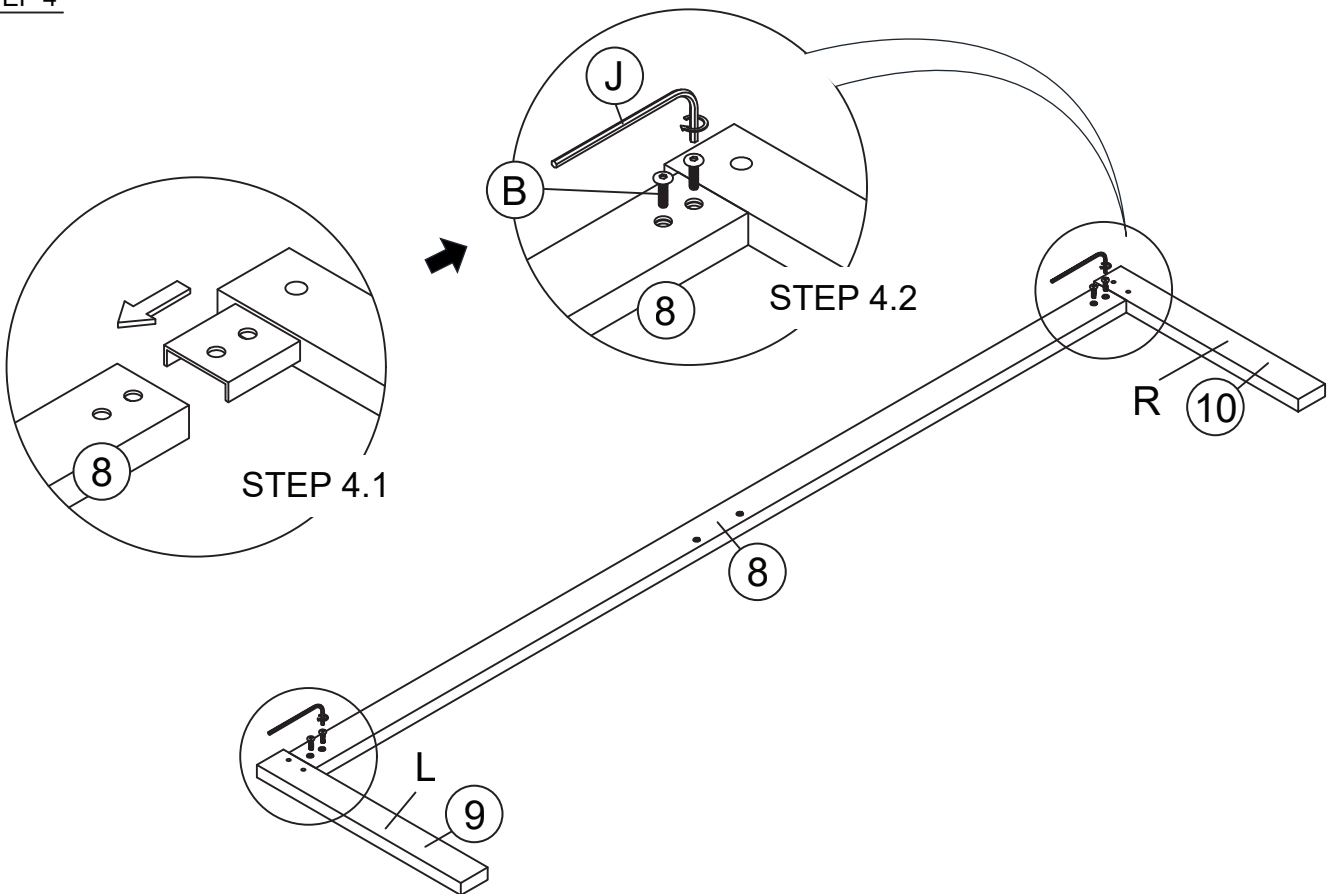


KING BED ASSEMBLY INSTRUCTION

STEP 3

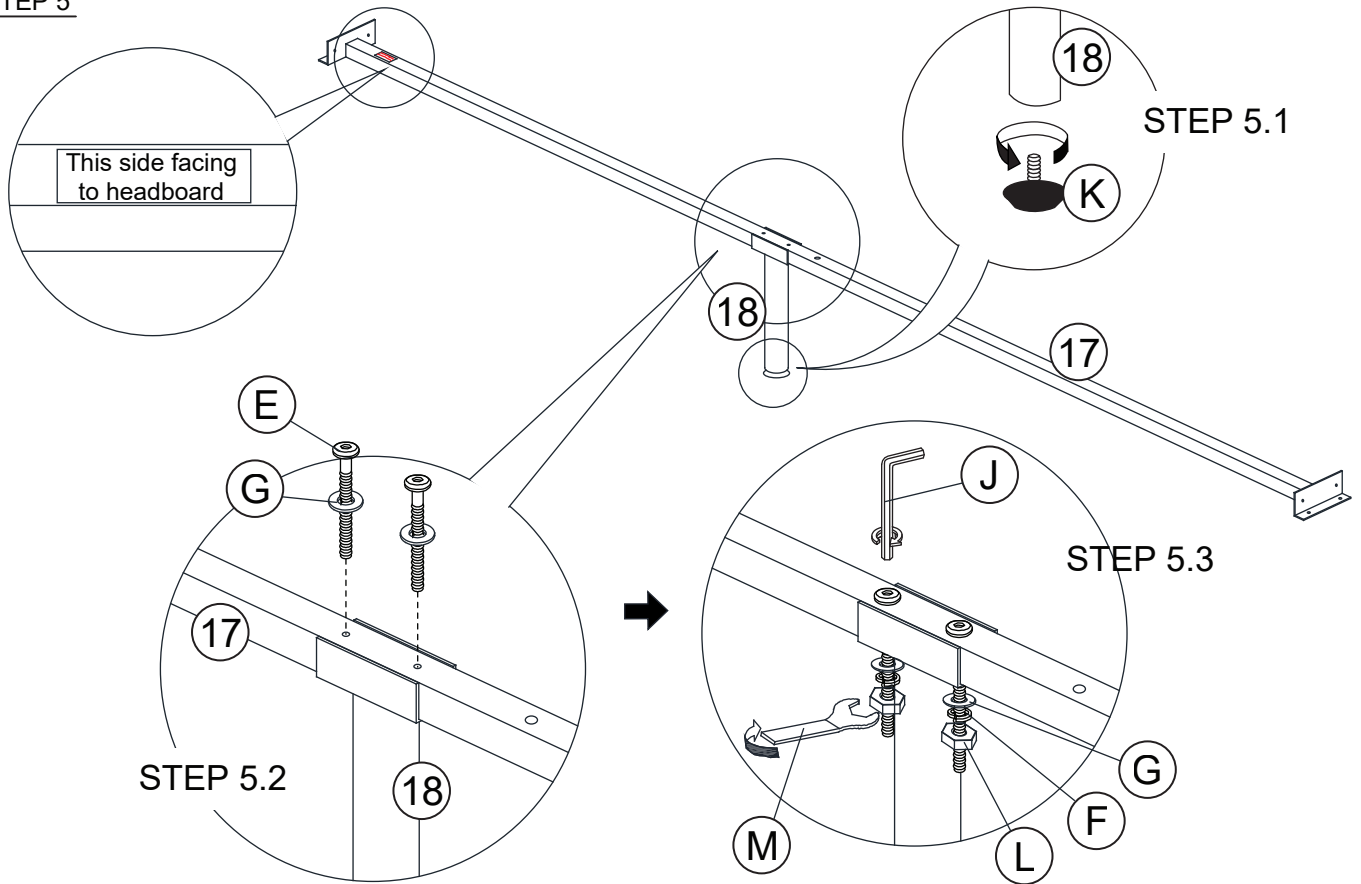


STEP 4

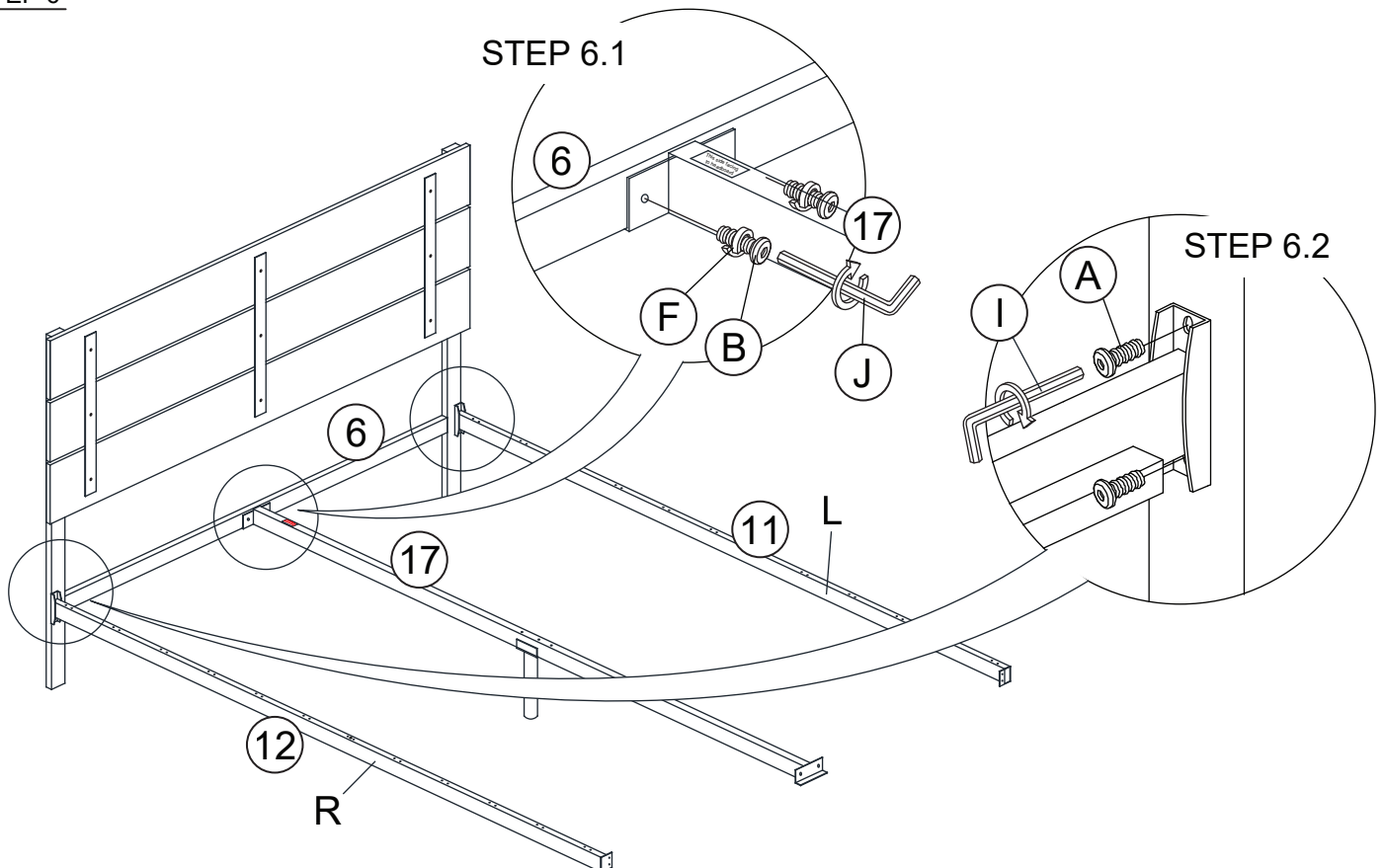


KING BED ASSEMBLY INSTRUCTION

STEP 5

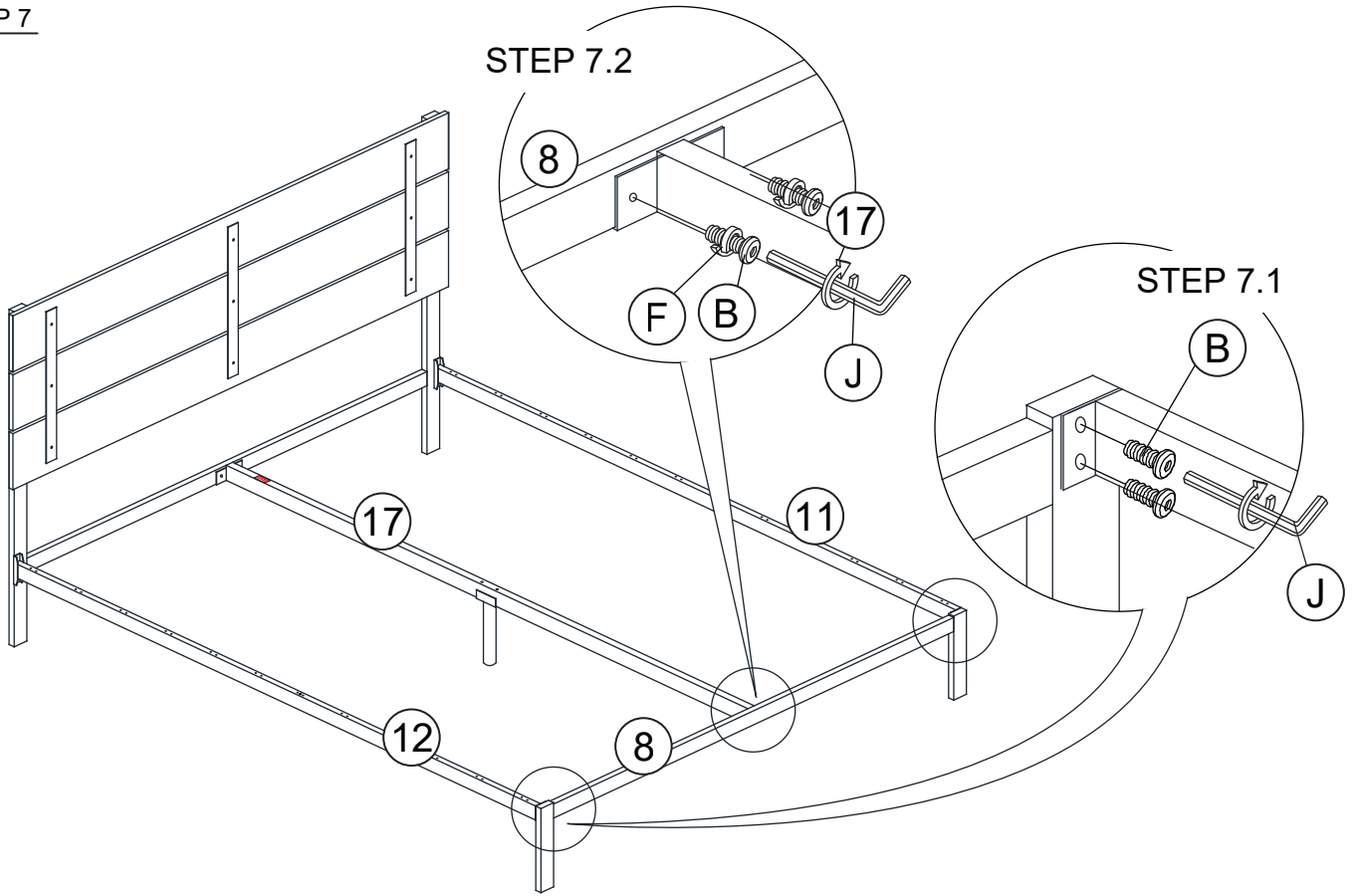


STEP 6

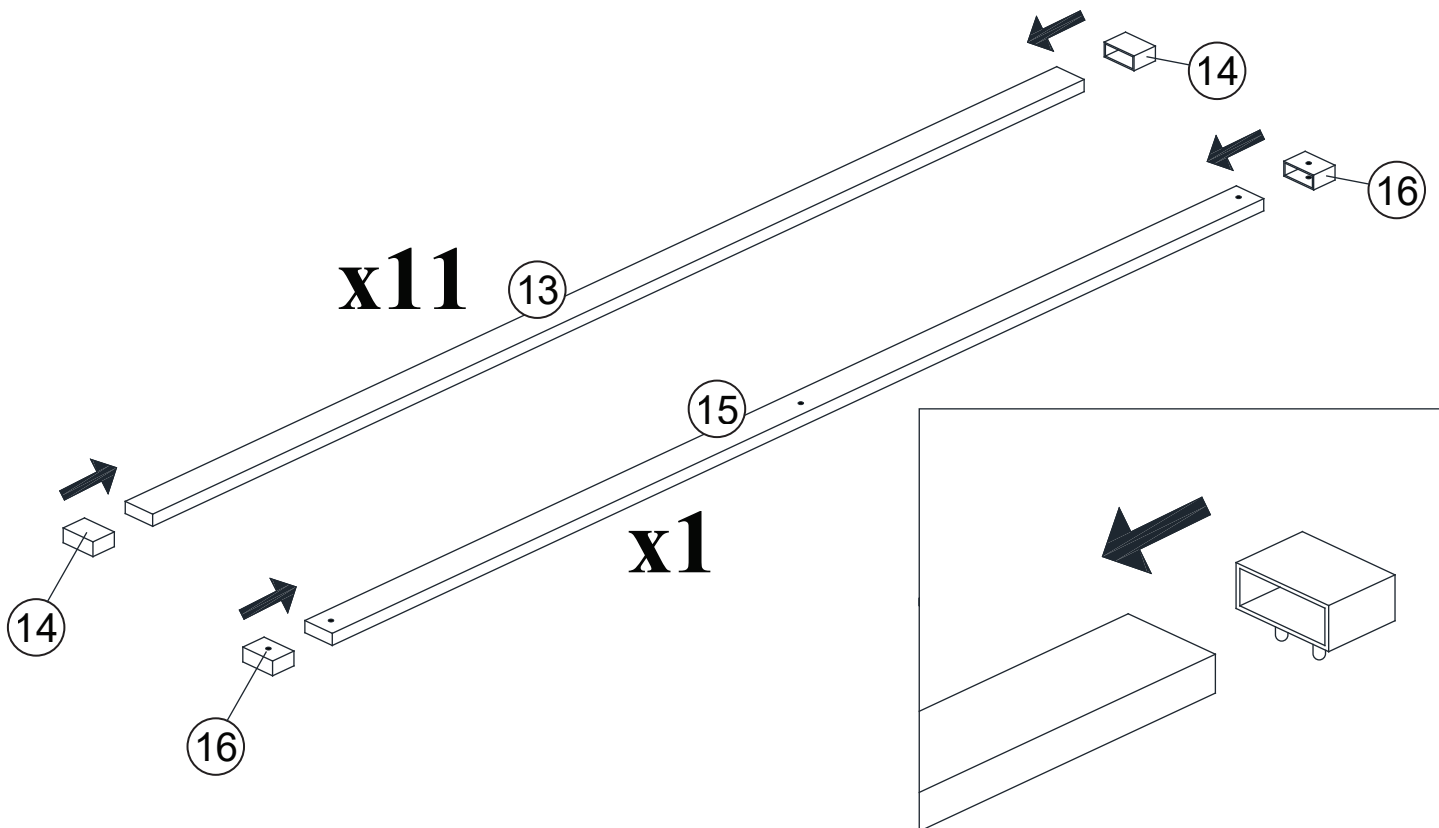


KING BED ASSEMBLY INSTRUCTION

STEP 7

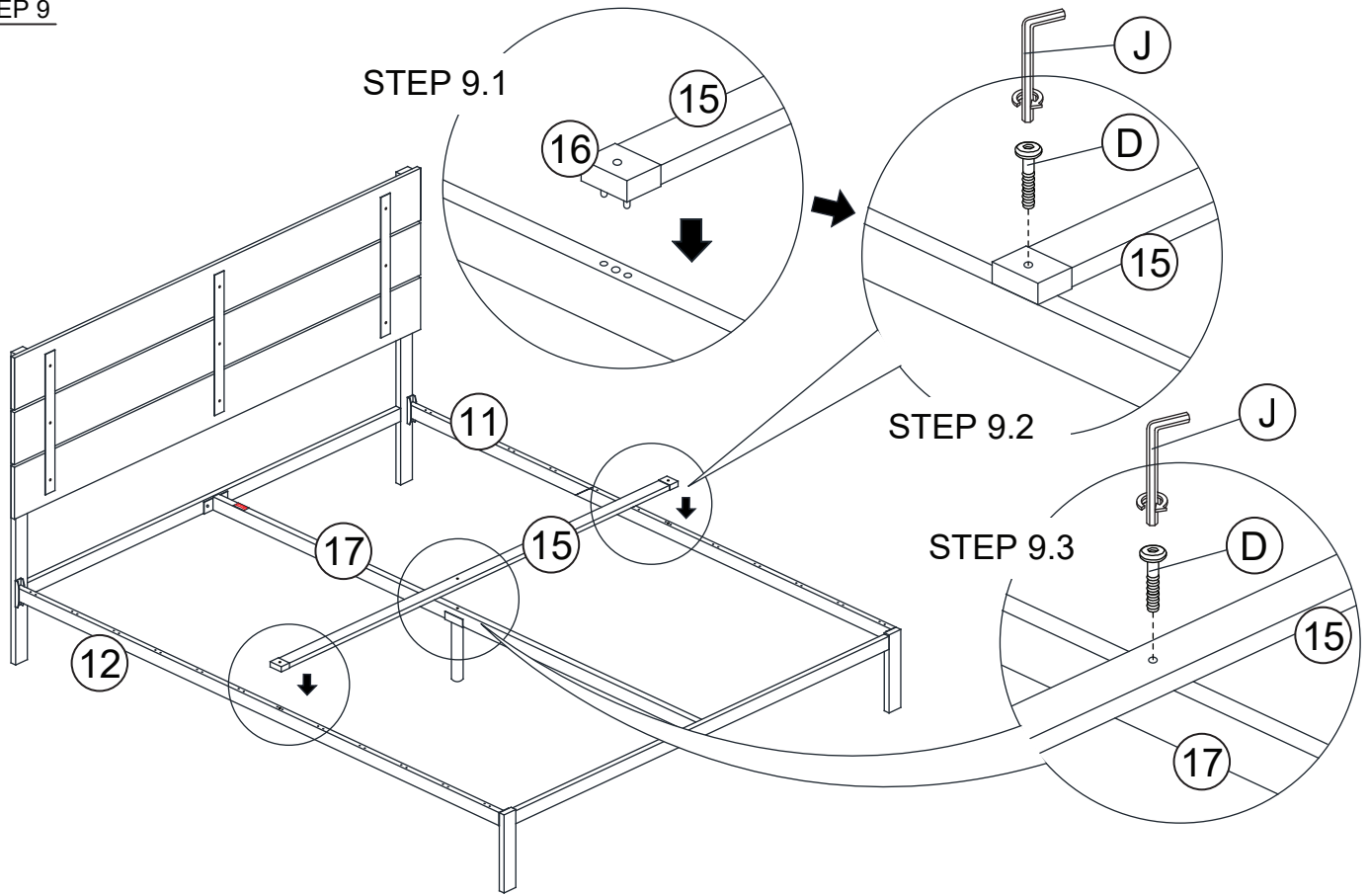


STEP 8

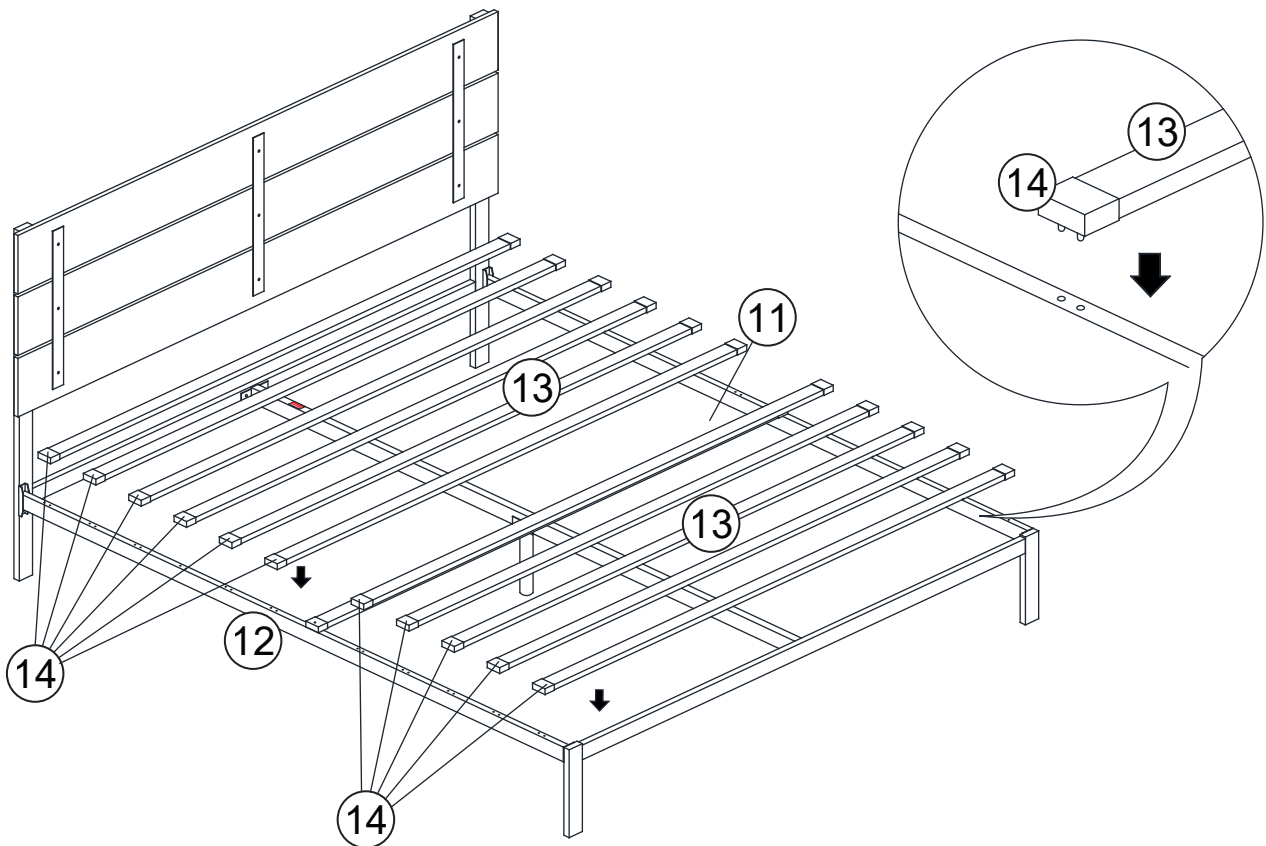


KING BED ASSEMBLY INSTRUCTION

STEP 9



STEP 10



ASSEMBLY COMPLETED