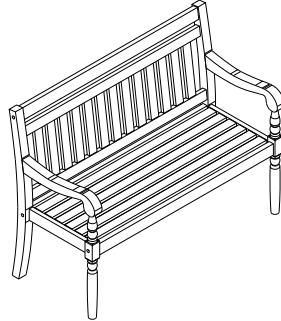


Assembly Instructions

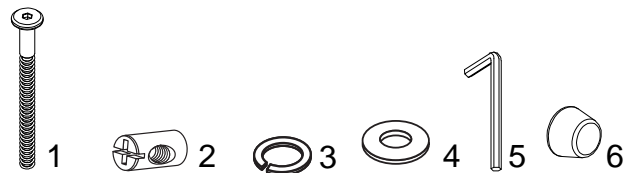
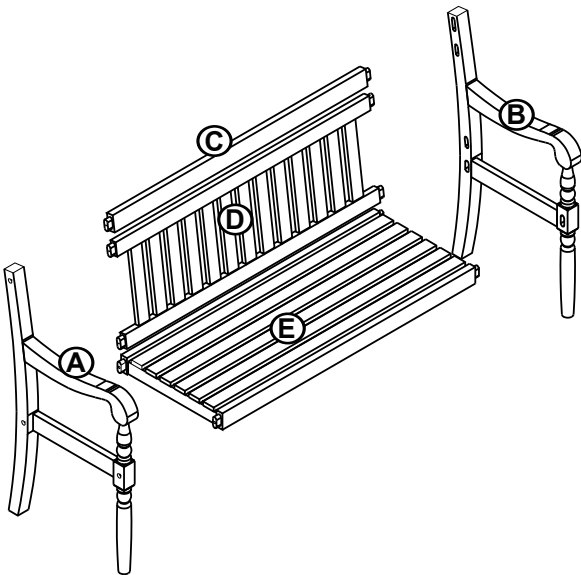


PARTS LIST :

A	RIGHT ARM REST FRAME	1PC
B	LEFT ARM REST FRAME	1PC
C	HEAD REST	1PC
D	BACK REST	1PC
E	SEAT	1PC

HARDWARE LIST :

1	BOLT-M6 x100 mm	6PCS
2	NUTS - M6 x 10mm DIA	6PCS
3	SPRING WASHER - M6 x 10mm DIA	6PCS
4	FLAT WASHER-M6 x 13mm DIA	6PCS
5	ALLEN KEY	1PC
6	WOOD BUTTON - 15mm DIA	6PCS



TOOLS REQUIRED (NOT INCLUDED) :



Phillips Head Screw Driver

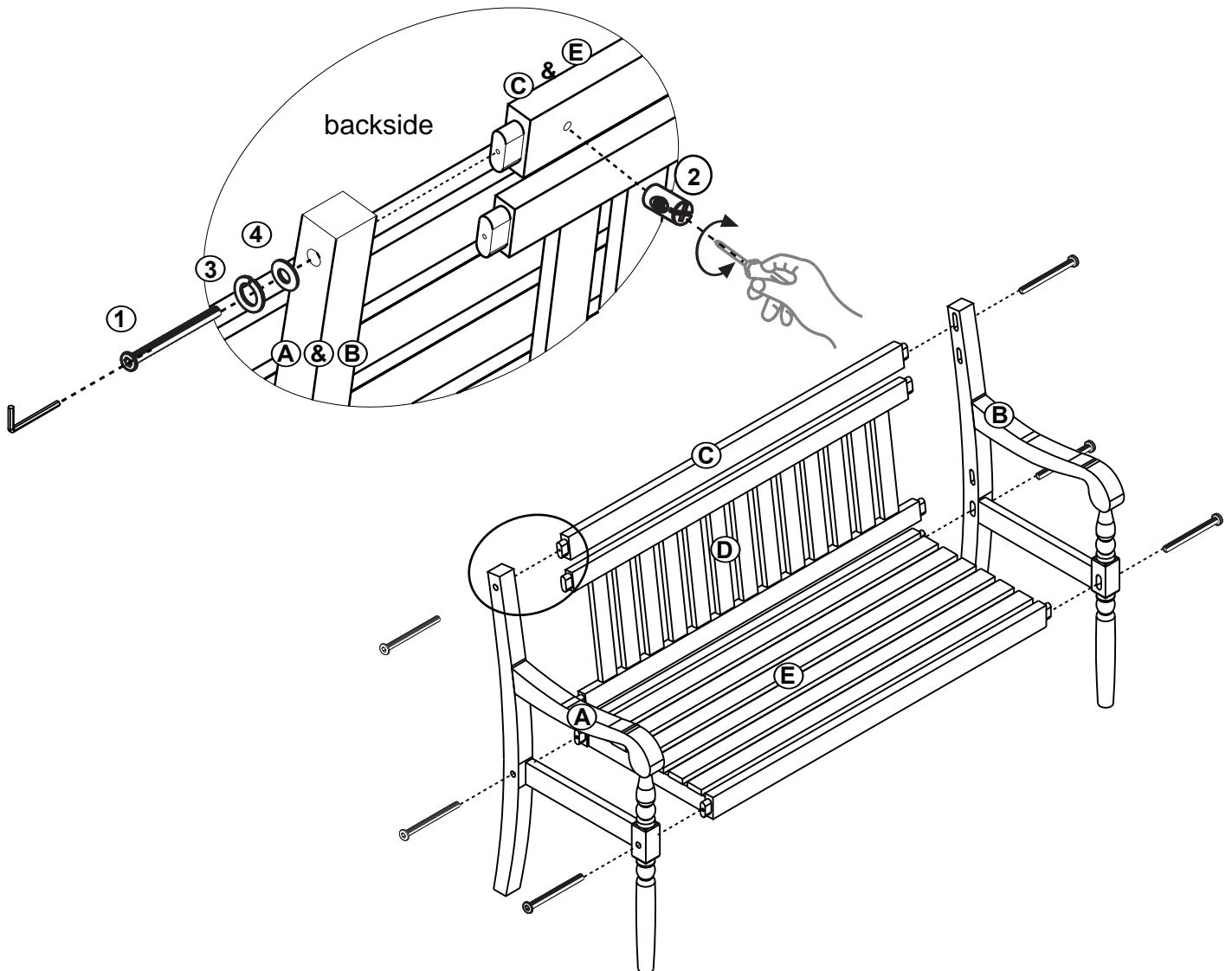
IMPORTANT NOTE :

- Place all wooden parts on a clean and smooth surface such as a rug or carpet to avoid the parts from being scratched. Check to be sure that you have all parts and hardware. Remove all wrapping materials before you start to assemble. Do not tighten all screws/bolts until all completely assembled.
- Keep all hardware parts out of reach of children.
- **DO NOT TIGHTEN BOLTS/SCREWS UNTIL ALL COMPLETELY ASSEMBLED.**

Assembly Instructions

1

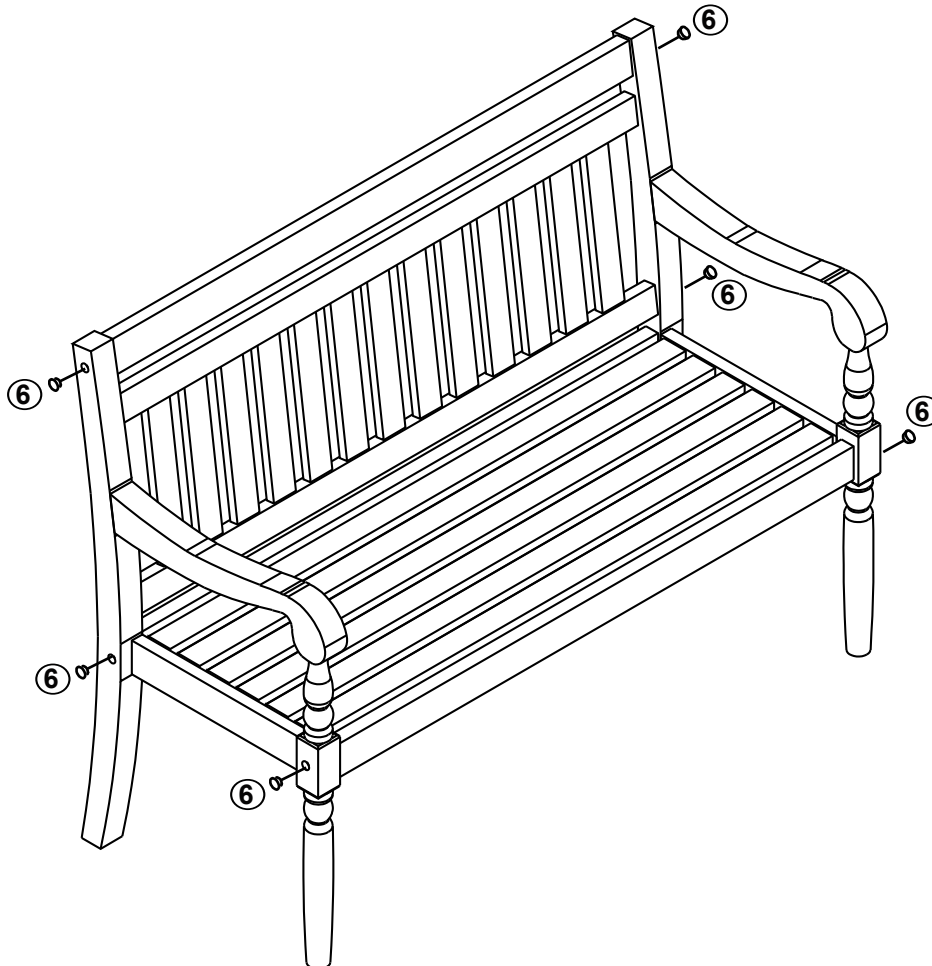
Do not tighten connections all the way.



Assembly Instructions

2

Make sure all connections are tightened 100%



CARE AND MAINTENANCE

- The touch of a soft cloth is all the maintenance your wood pieces will ever need. Never use harsh chemical or abrasive cleaners, as they could mark or destroy finish.
- Bolts, screws, and nuts may loosen during everyday use. They should be periodically inspected and re-tightened. Always visually check that all hardware on the list is attached and kept tightened.