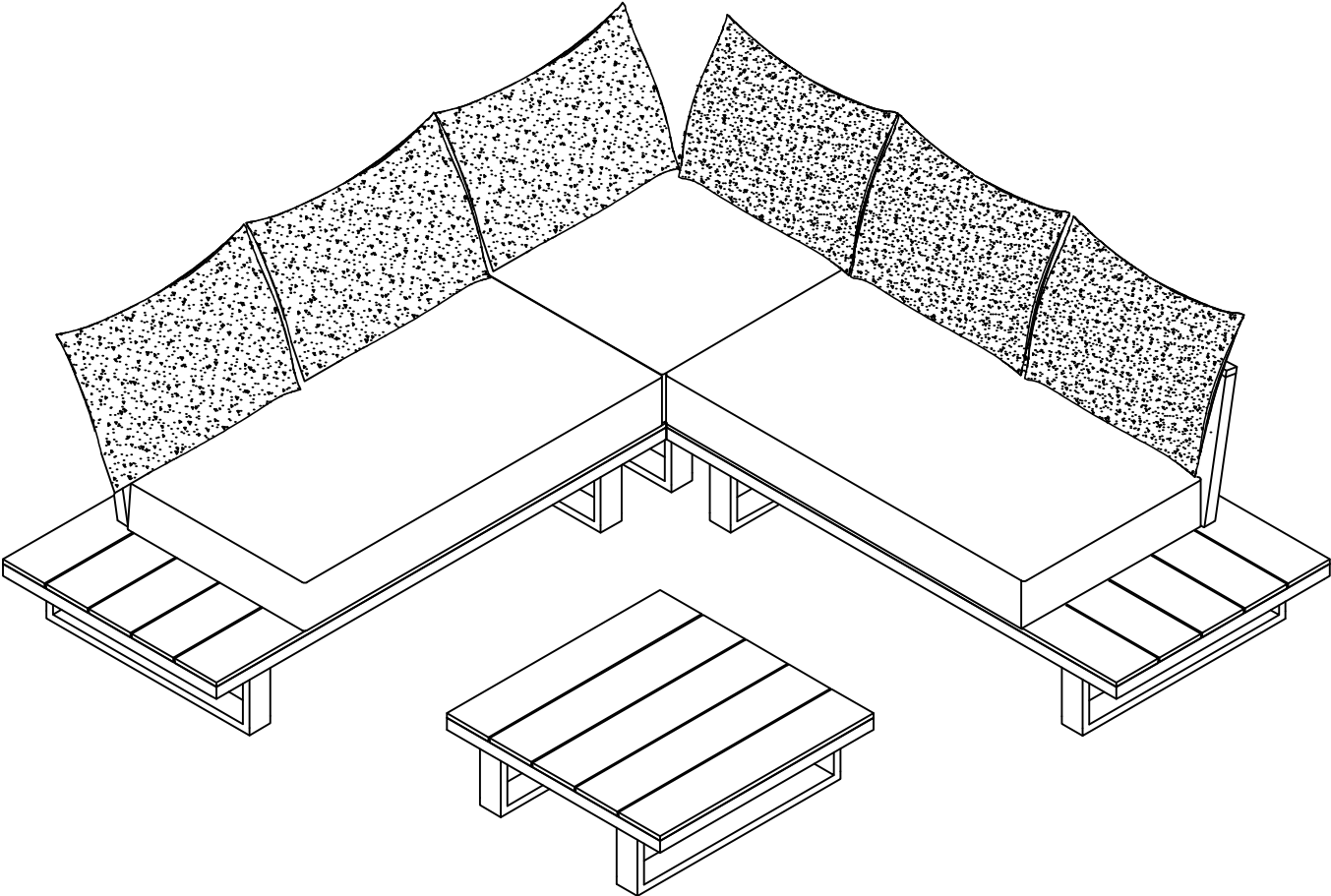


# INSTRUCTION MANUAL



# CONTENTS

---

Safety and care advice	<b>1</b>
Components	<b>2</b>
Assembly instructions	<b>4</b>
Copyright	<b>10</b>

---

# ⚠ SAFETY AND CARE ADVICE ⚠

---

## PLEASE READ THESE INSTRUCTIONS CAREFULLY AND KEEP FOR FUTURE REFERENCE

- **Warning:** Please lift with care.
- Check you have all the components and tools listed on pages 2 and 3.
- Remove all fittings from the plastic bags and separate them into their groups.
- Keep children and animals away from the work area, small parts could choke if swallowed.
- Make sure you have enough space to lay out the parts before starting.
- Do not stand or put weight on the product, this could cause damage.
- Assemble the item as close to its final position (in the same room) as possible.

- Assemble on a soft level surface to avoid damaging the unit or your floor (use opened out unit carton).



- We do not recommend the use of power drill/drivers **for inserting screws**, as this could damage the unit. Only use hand screwdrivers.
- Dispose of all packaging carefully and responsibly.

## CARE AND MAINTENANCE

---

- Only clean using a damp cloth and mild detergent, do not use bleach or abrasive cleaners.
- From time to time check that there are no loose screws on this unit.

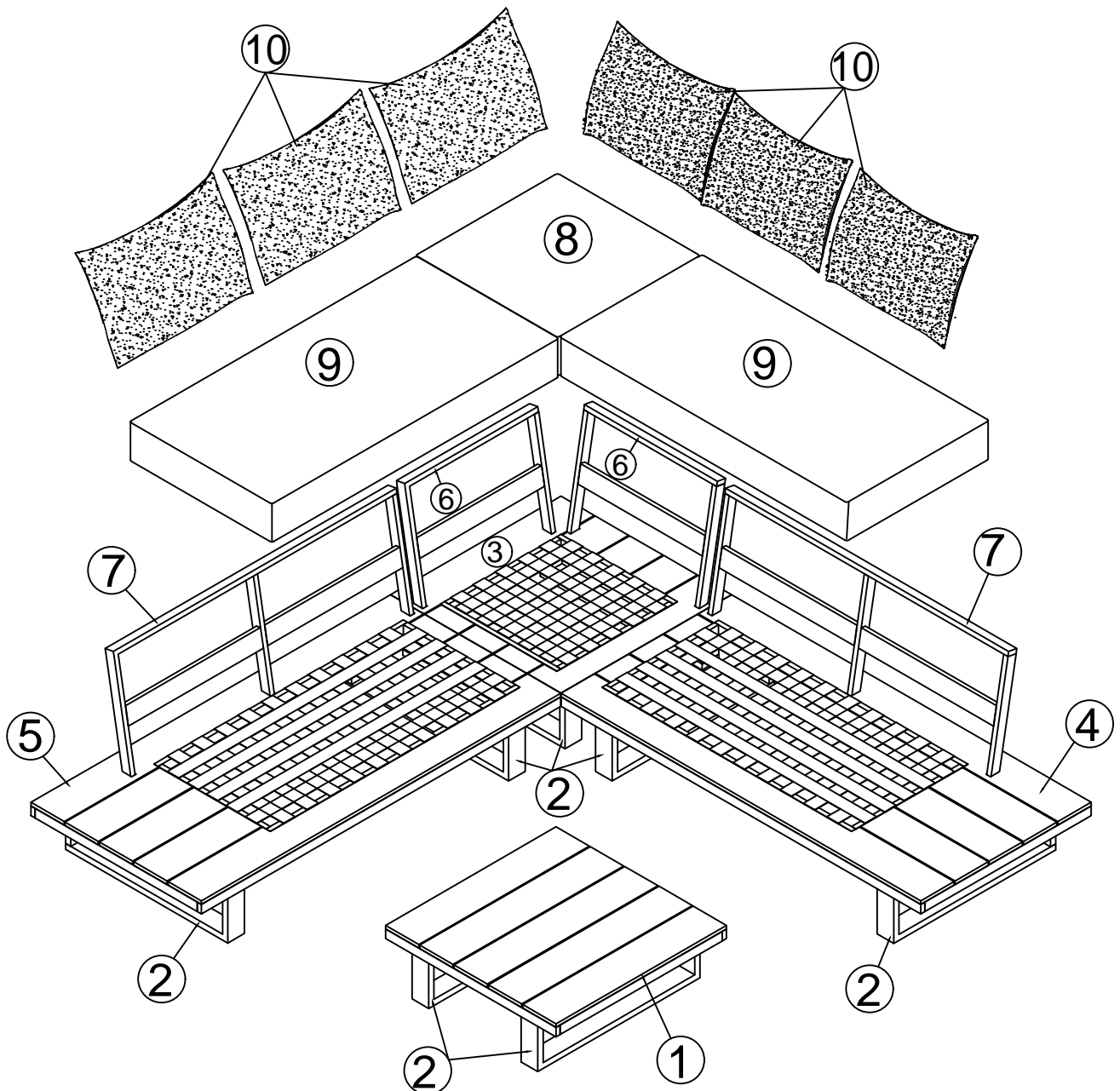
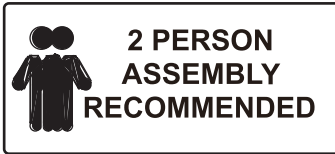
- This product should not be discarded with household waste. Take to your local authority waste disposal center.

**Note** *If required the next page can be cut out and used as reference throughout the assembly. Keep this page with these instructions for future reference.*

# COMPONENTS

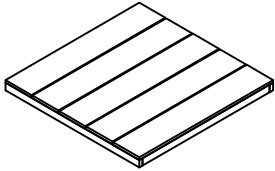
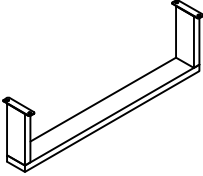
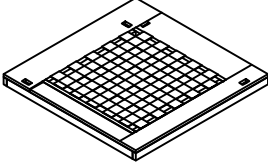
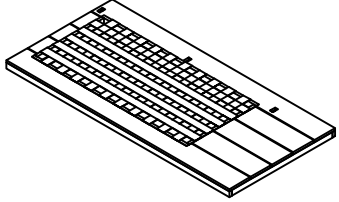
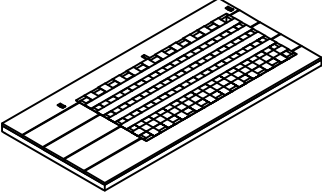
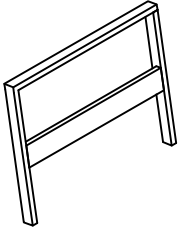
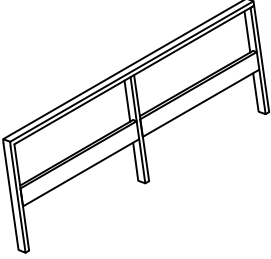
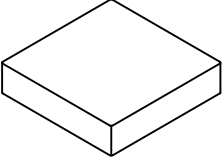
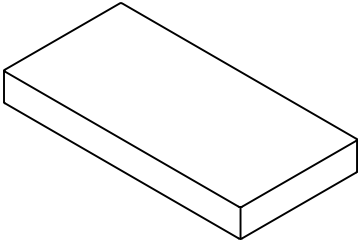
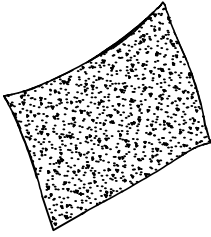
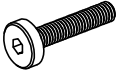
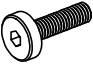

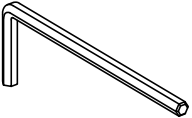
Please check you have all the panels listed below :

Please check you have all the panels listed below:



# COMPONENTS

Please check you have all the panels listed below :

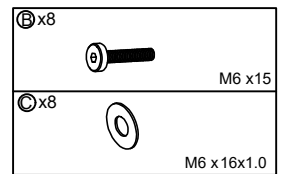
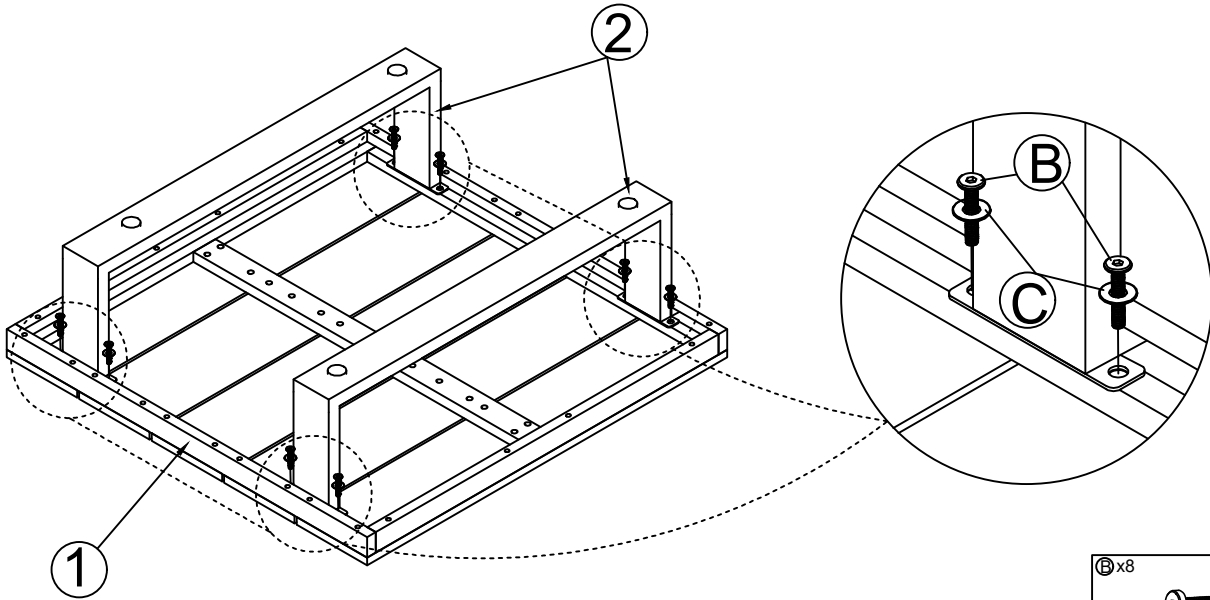
<p>① x1</p> 	<p>② x8</p> 	<p>③ x1</p> 	<p>④ x1</p> 
<p>⑤ x1</p> 	<p>⑥ x2</p> 	<p>⑦ x2</p> 	<p>⑧ x1</p> 
<p>⑨ x2</p> 		<p>⑩ x6</p> 	
<p>Ⓐ x20</p>  <p><b>Allen Bolt M6*35</b></p>	<p>Ⓑ x32</p>  <p><b>Allen Bolt M6*15</b></p>	<p>Ⓒ x52</p>  <p><b>Washer M6*16*1.0</b></p>	<p>Ⓓ x2</p>  <p><b>Allen Key K4</b></p>

# COMPONENTS

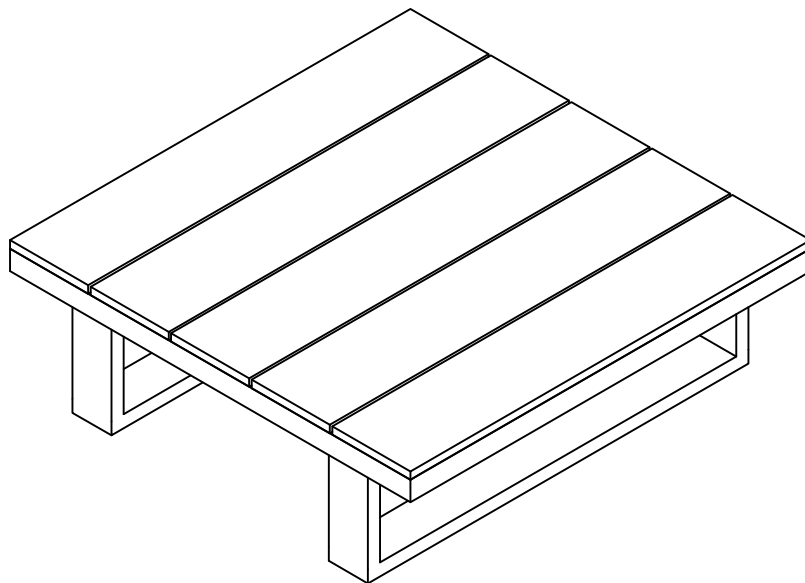
Please check you have all the panels listed below :



1



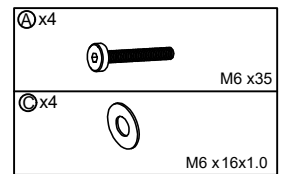
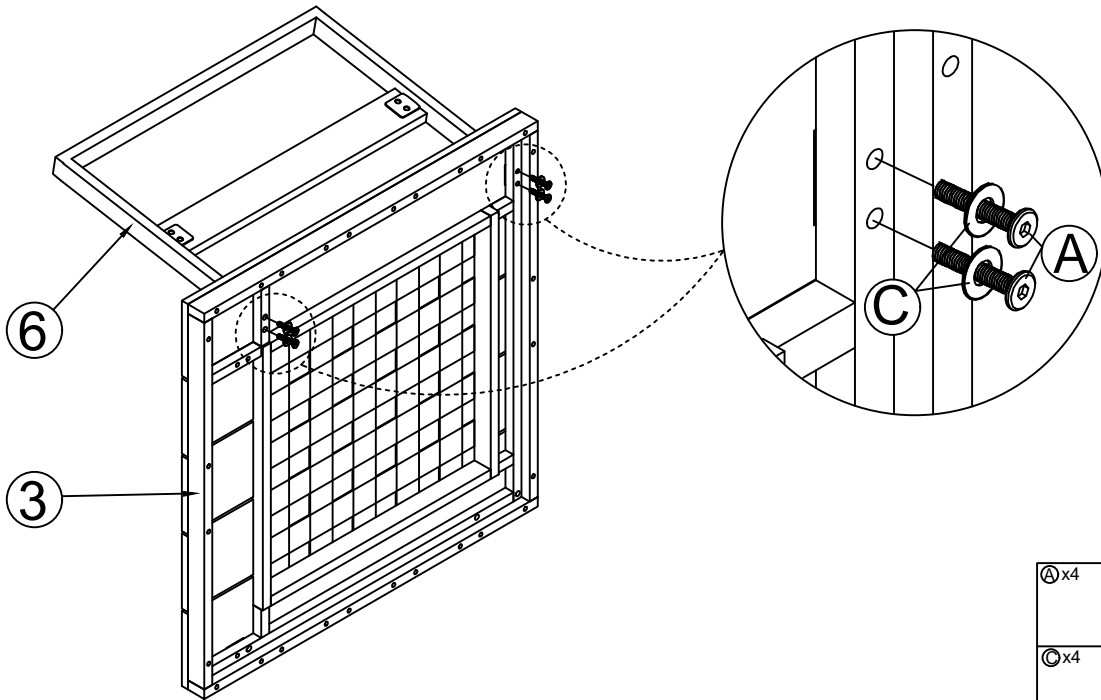
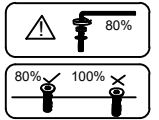
2



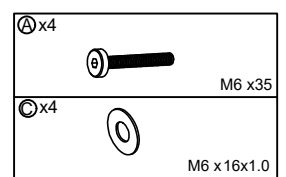
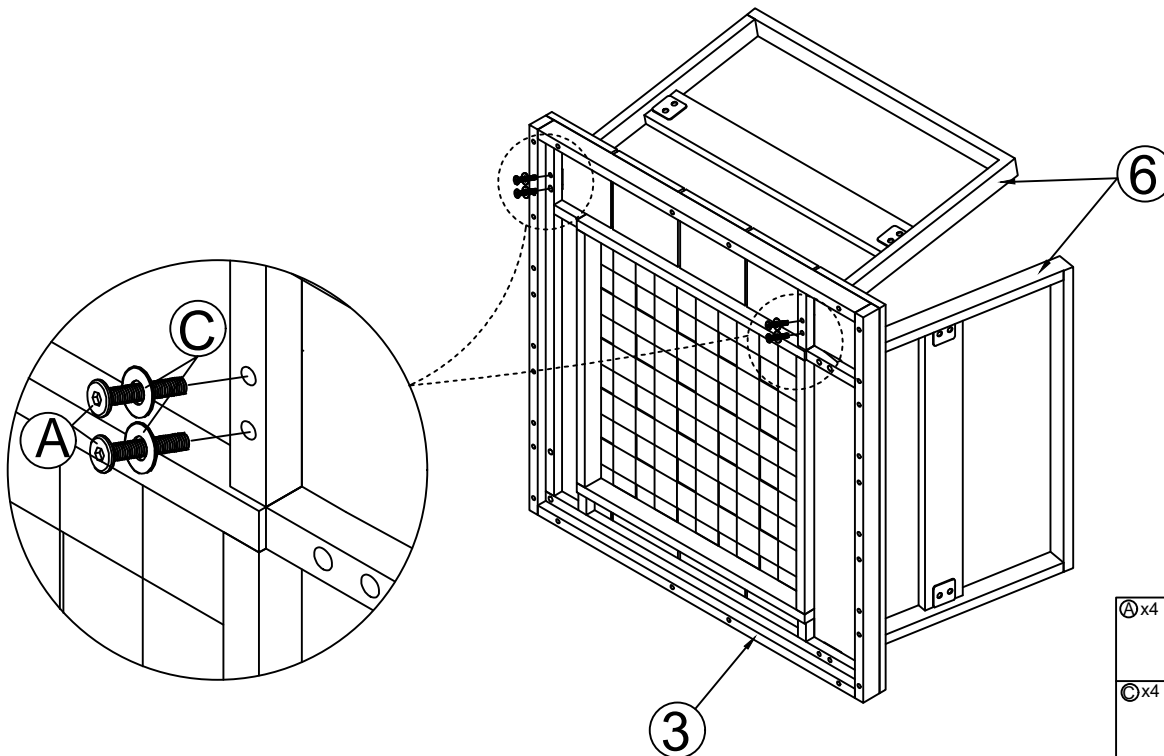
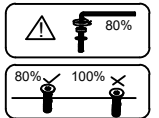
# COMPONENTS

Please check you have all the panels listed below :

3



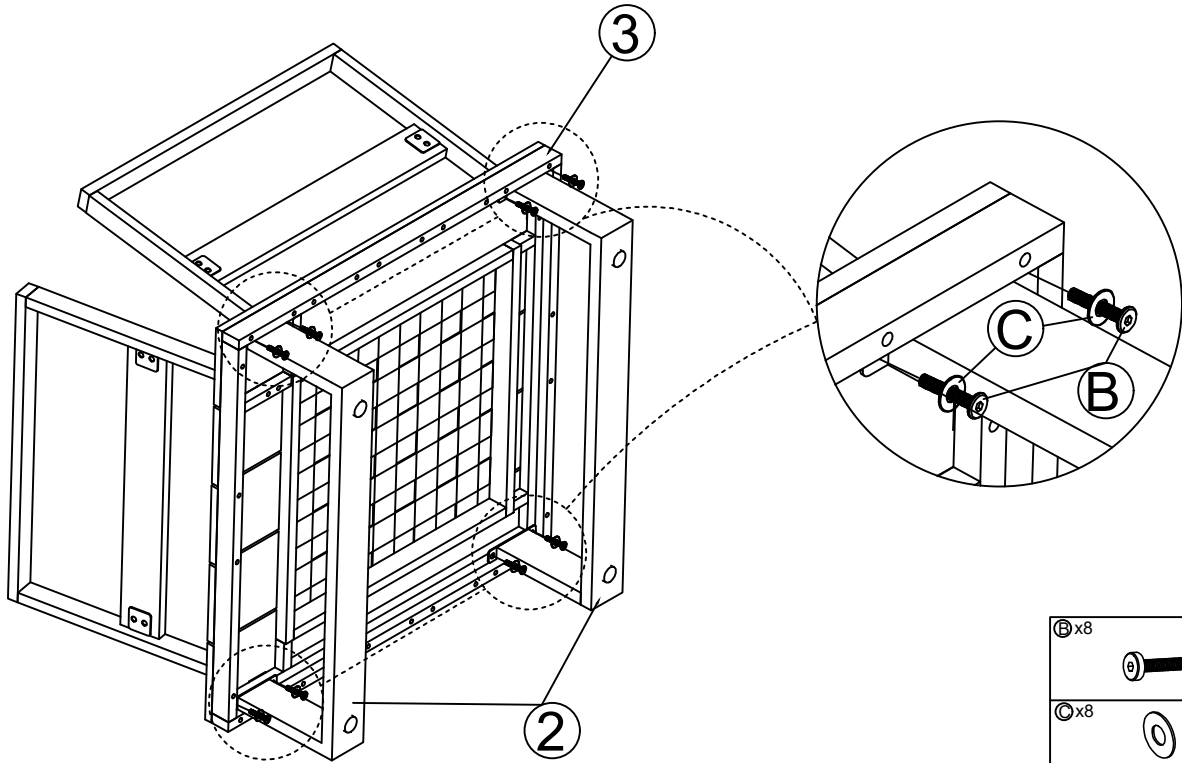
4



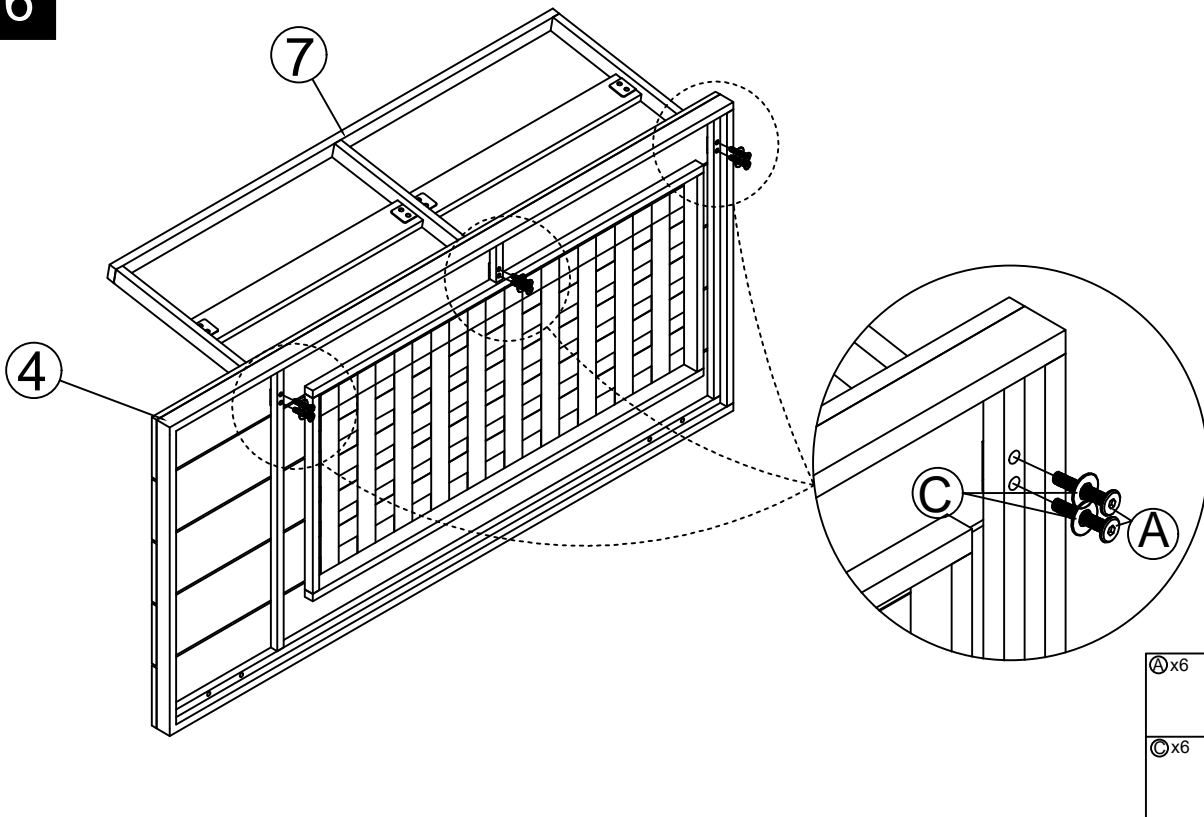
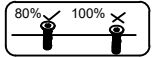
# COMPONENTS

Please check you have all the panels listed below :

5



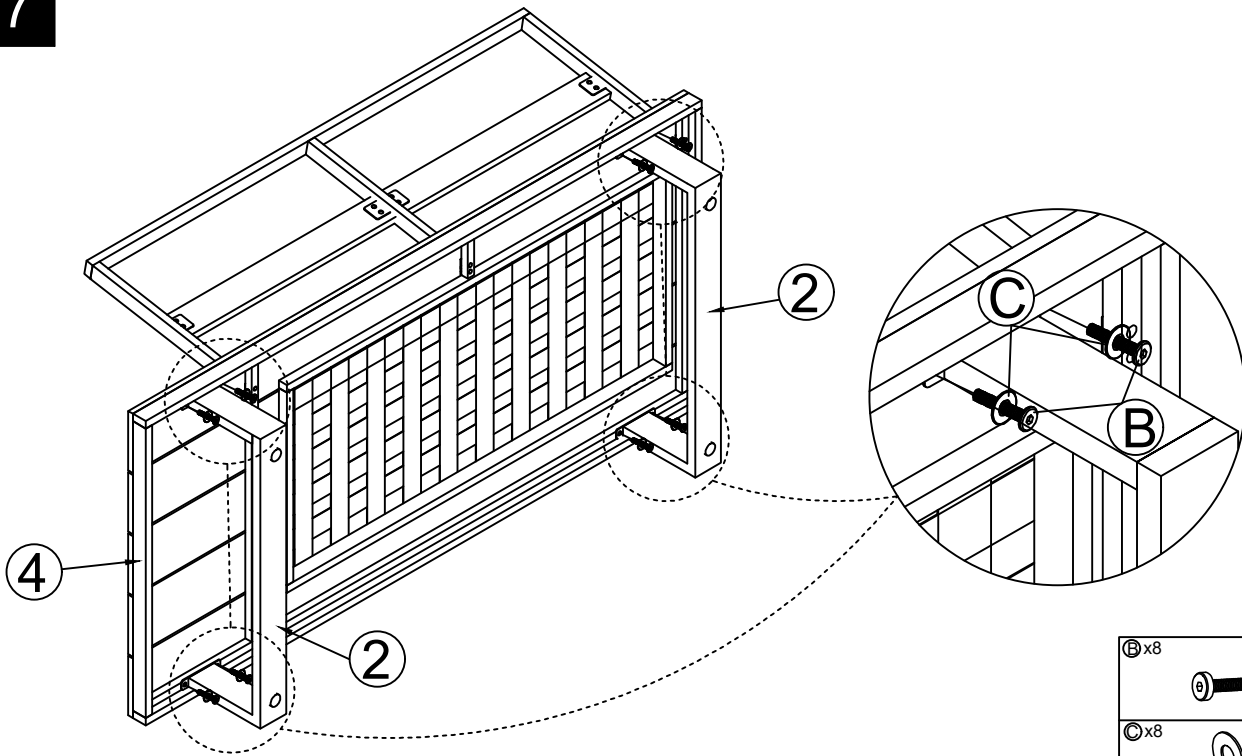
6



# COMPONENTS

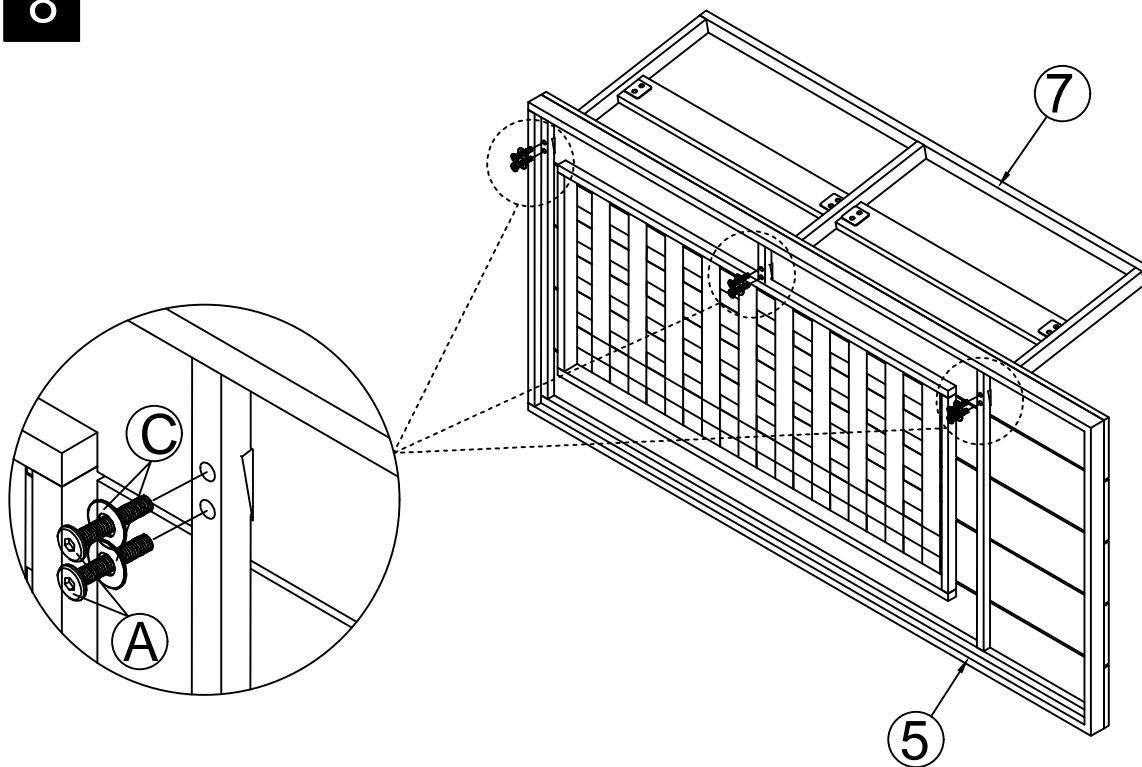
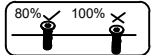
Please check you have all the panels listed below :

7



ⓑ x8		M6 x15
ⓒ x8		M6 x16x1.0

8



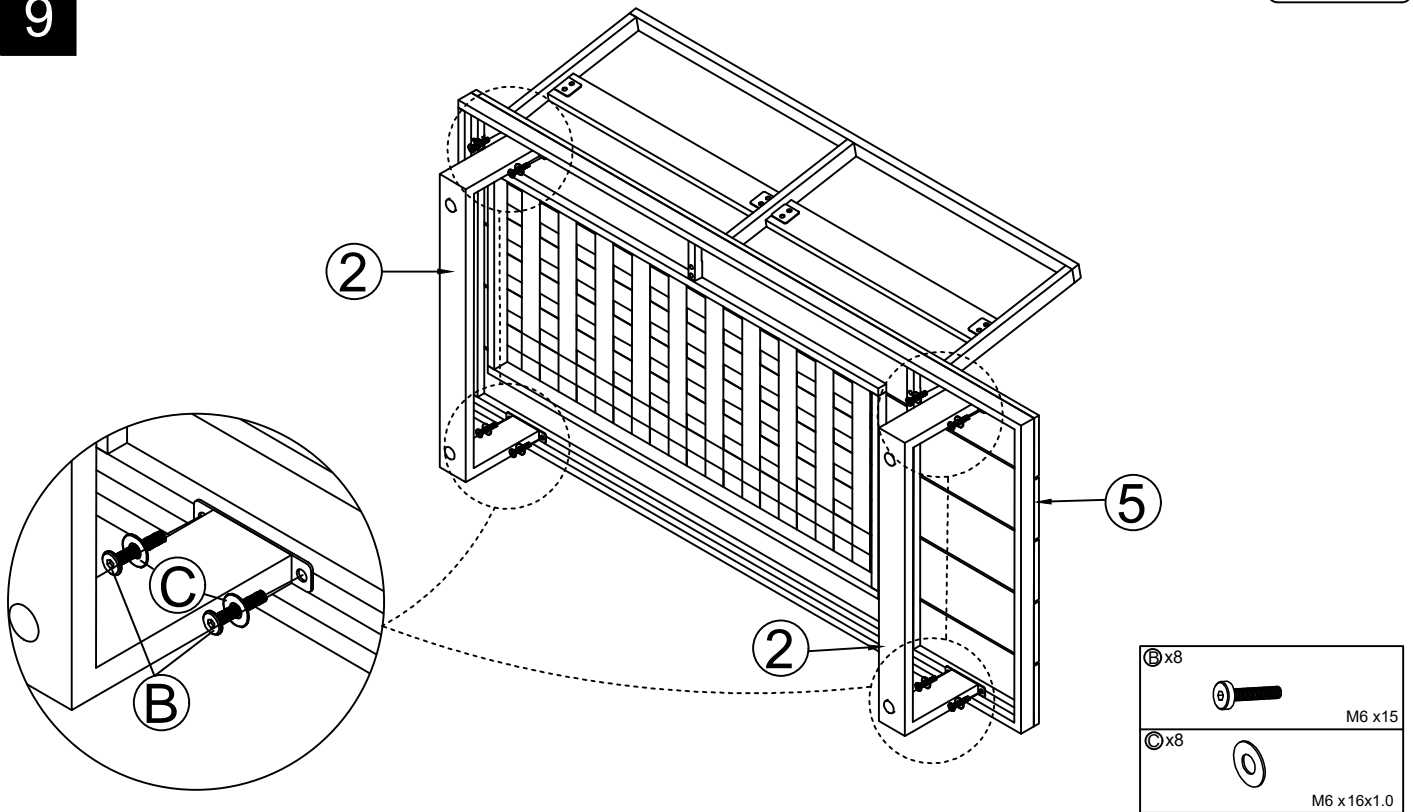
Ⓐ x6		M6 x35
ⓒ x6		M6 x16x1.0

# COMPONENTS

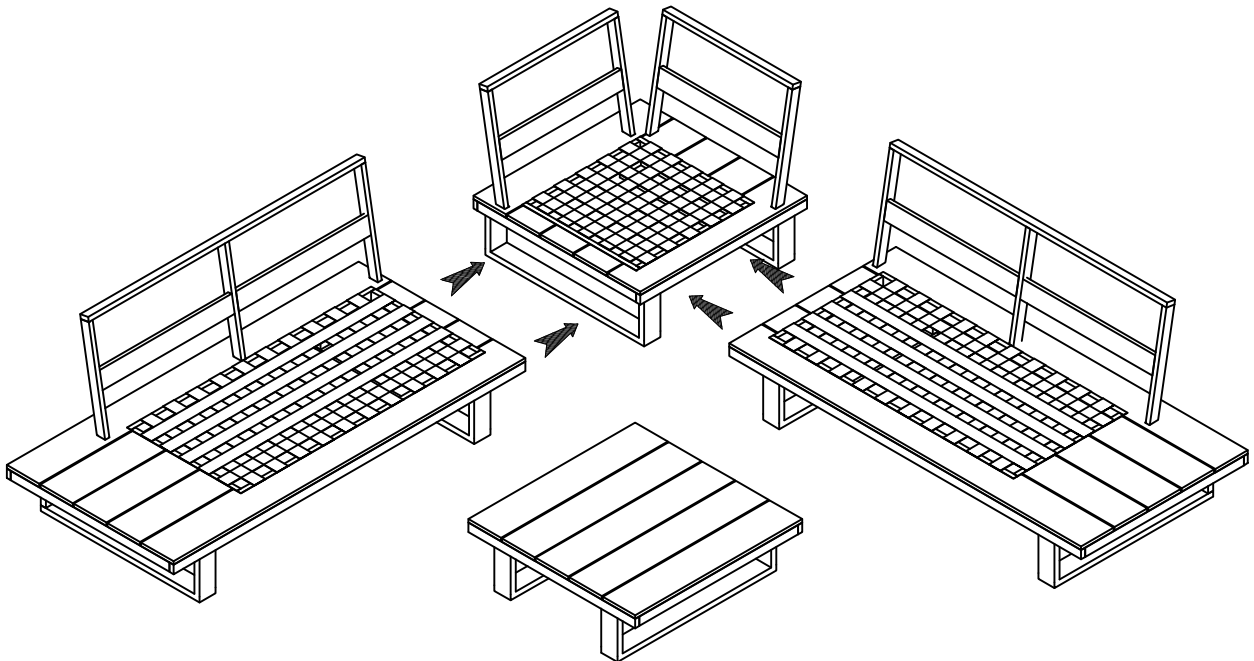
Please check you have all the panels listed below :



9



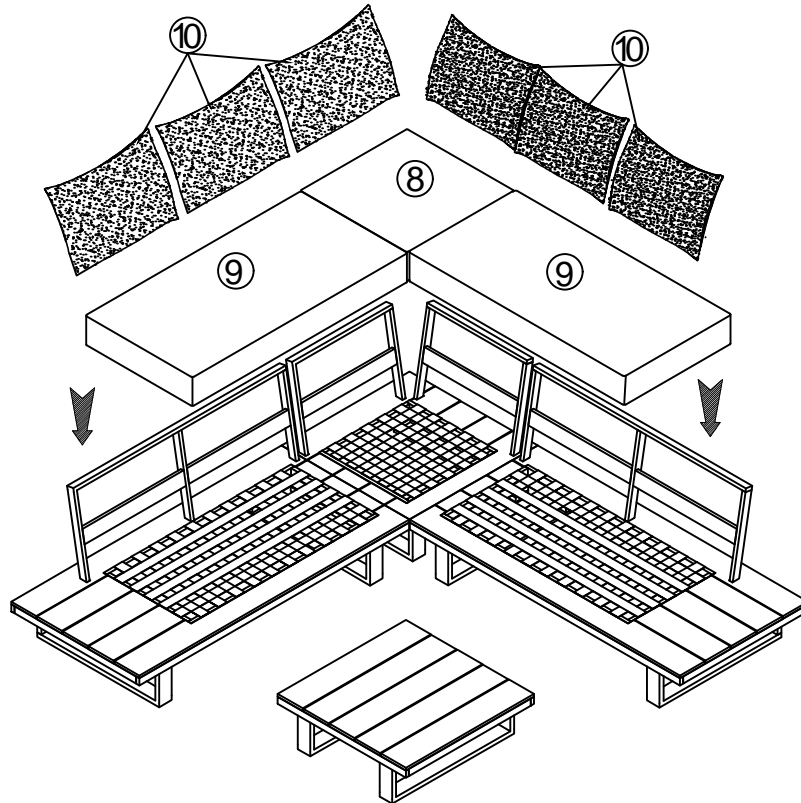
10



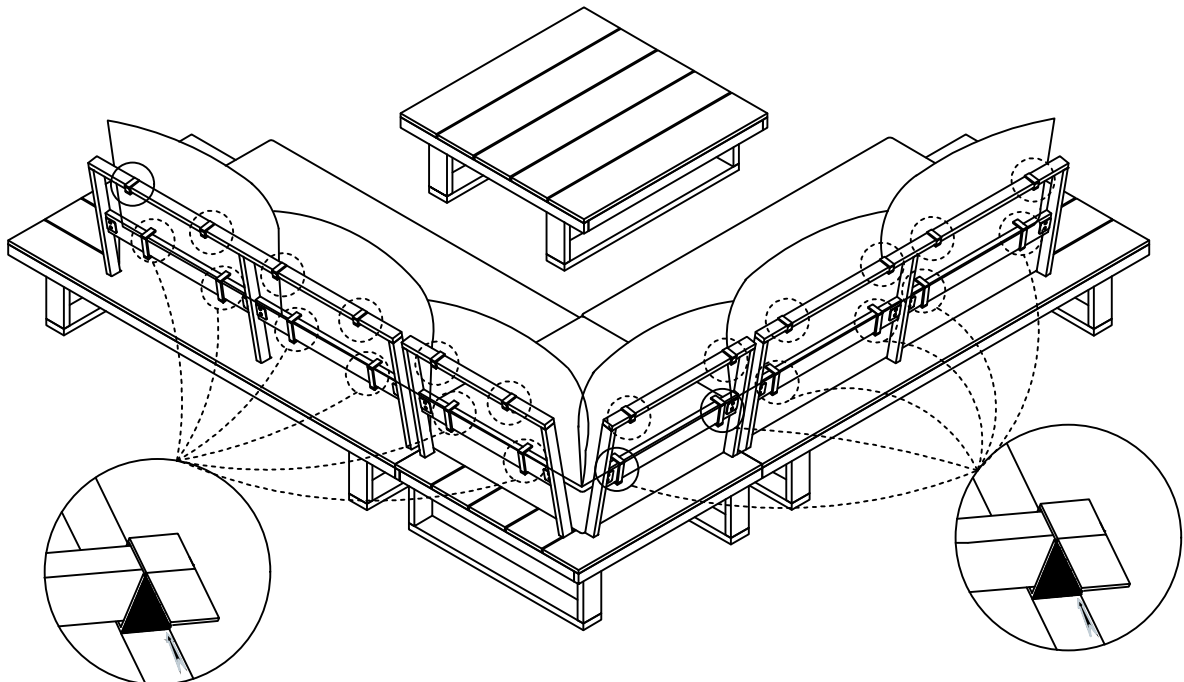
# COMPONENTS

Please check you have all the panels listed below :

11



12

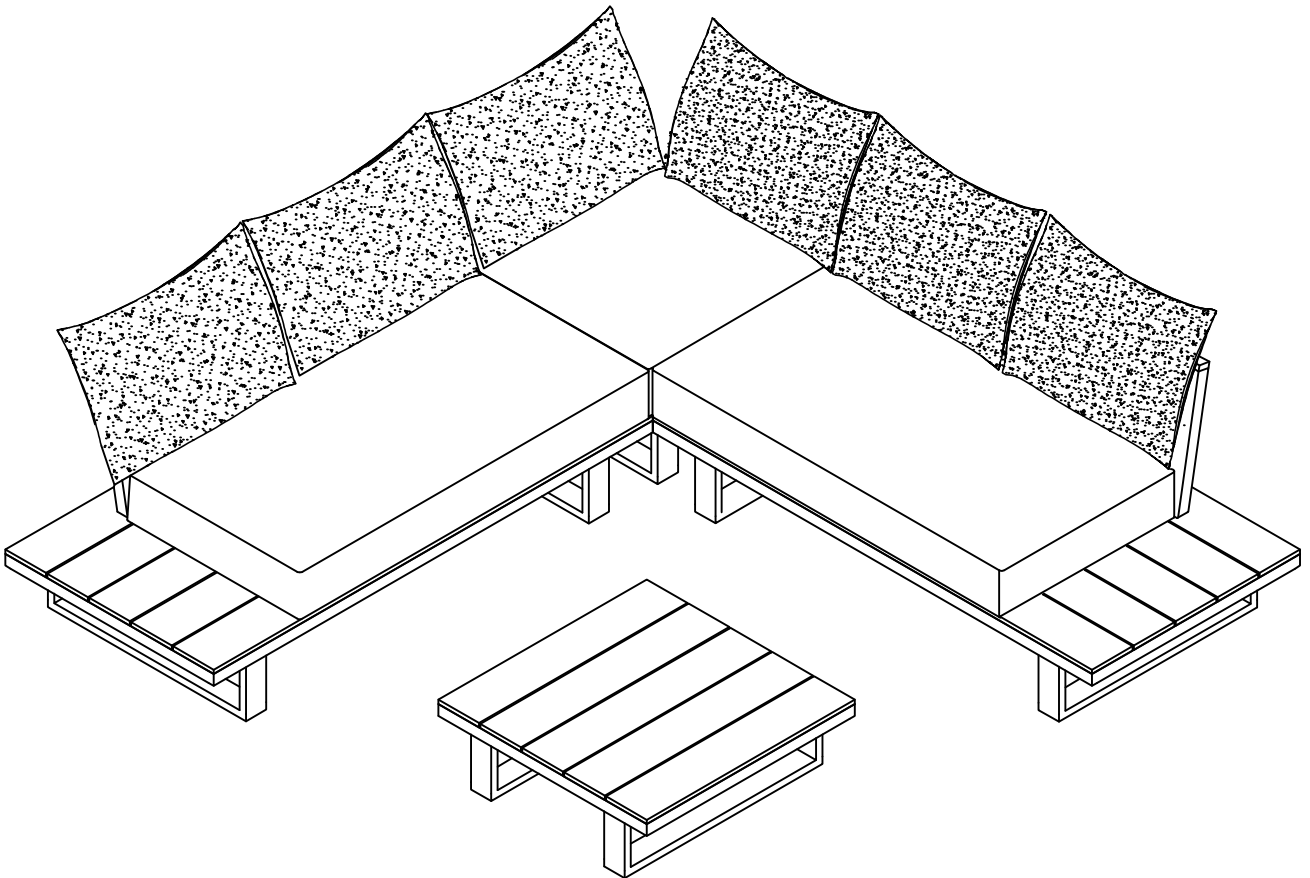


# COMPONENTS

---

Please check you have all the panels listed below :

## 19 Finish



Congratulations! Now you have finished assembling the product.

# IF YOU FIND A DEFECTIVE PART

---

We fully stock all parts and components. Any defective part can be quickly replaced. Take note of the defective part number in manual and we will arrange a quick replacement.

## COPYRIGHT

---

All material in this instruction manual is copyrighted  
Any unauthorised use may violate worldwide copyright, trademark and other laws.