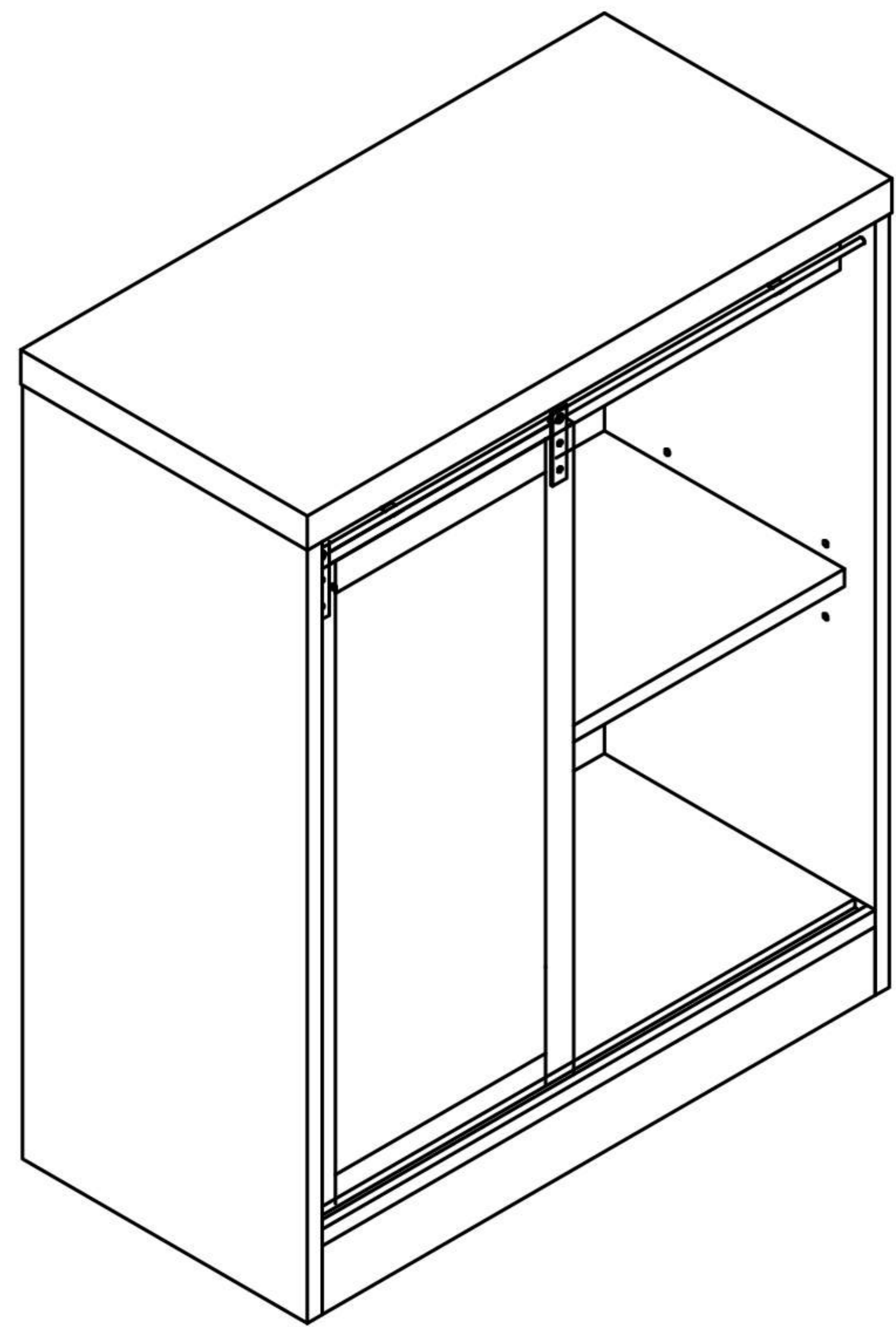
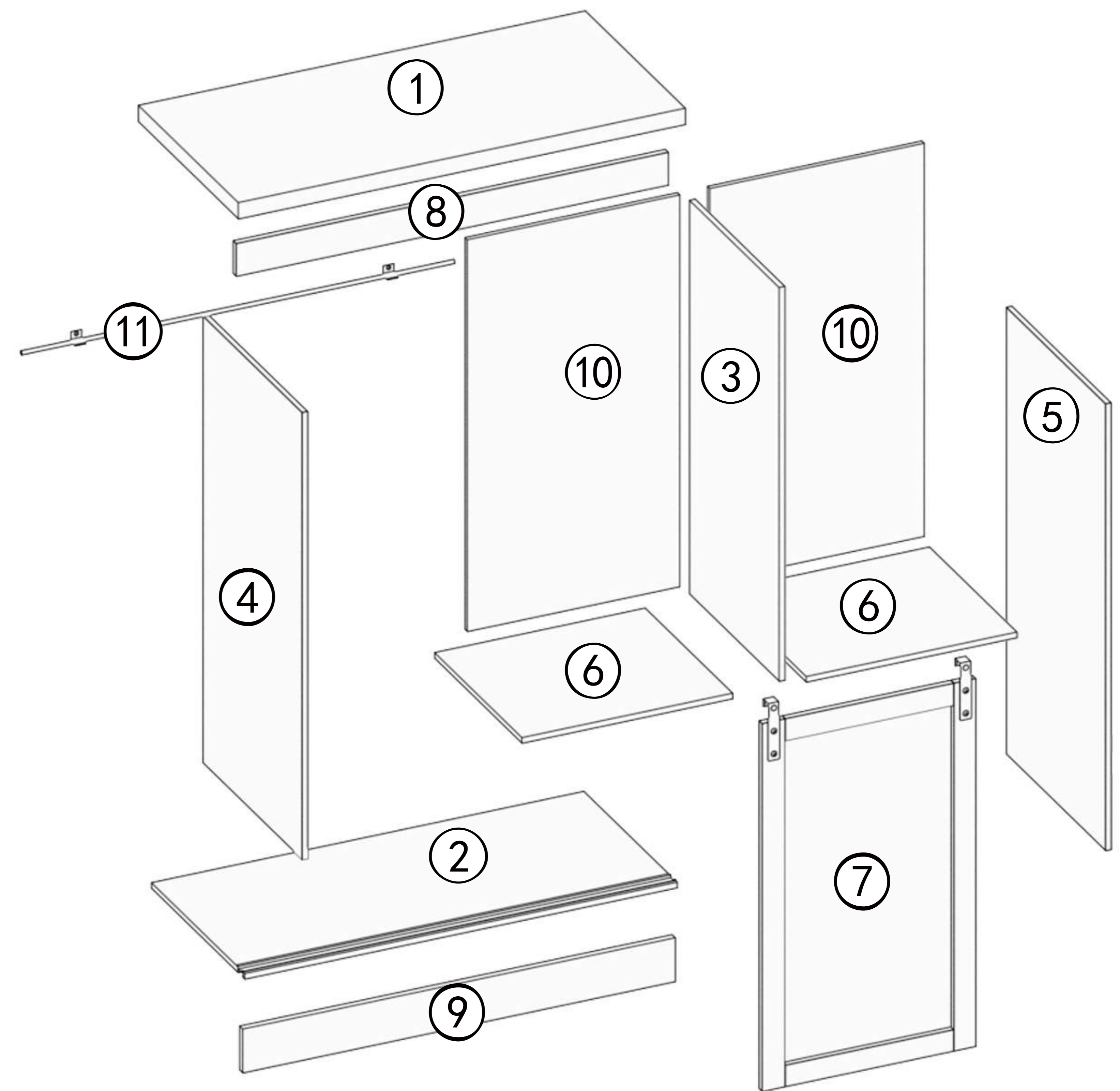


ASSEMBLY INSTRUCTION

SKU: BE016501



BOARD IDENTIFICATION



Before assembly:

Thank you for purchasing this quality product.
Be sure to check all packing material carefully for small parts which may have come loose inside the carton during shipment.

Separate, identify and count all parts and hardware.

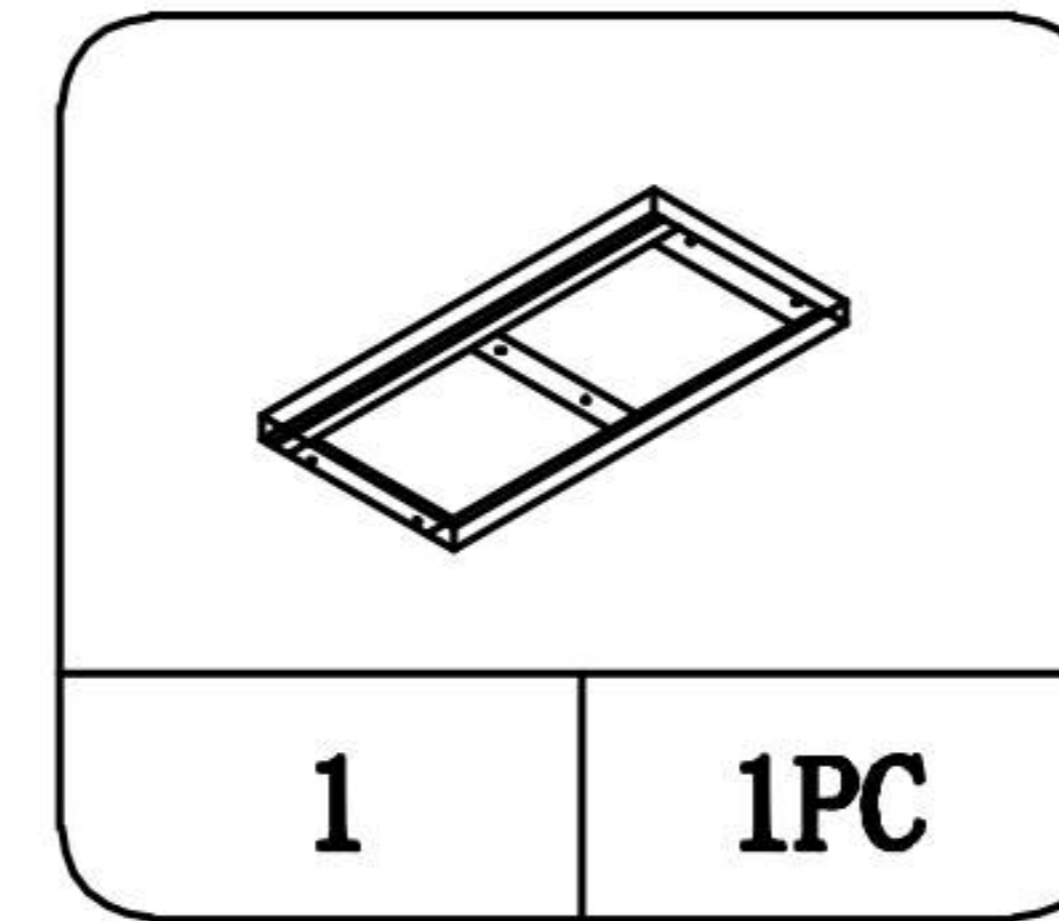
Compare with the parts list to be sure all parts are present.

IMPORTANT :
PLEASE READ INSTRUCTION BEFORE
STARTING THE ASSEMBLY.

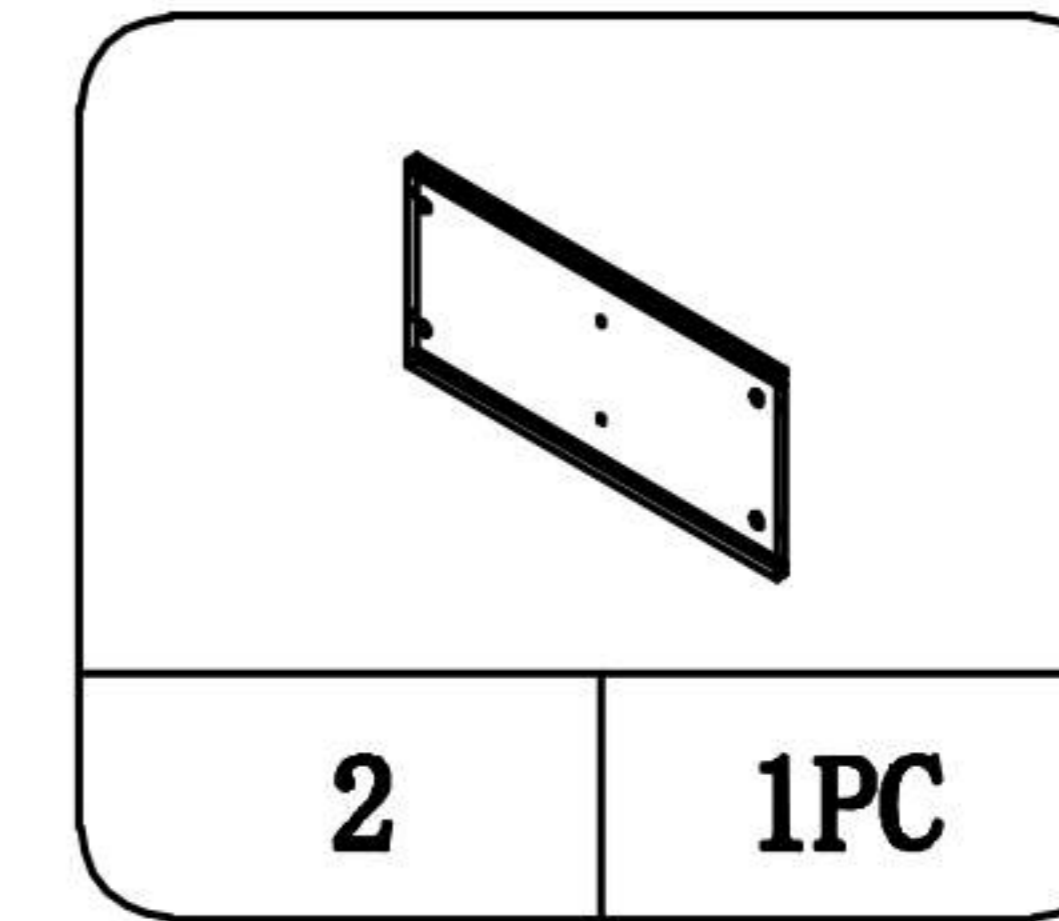
"DO NOT TIGHTEN SCREWS UNTIL
COMPLETELY ASSEMBLED"
"DO NOT OVERTIGHT ANY HARDWARE"

WARNING :
SMALL PARTS AND HARDWARE NOT FOR
CHILDREN UNDER 3 YEARS. ADULT
ASSEMBLY REQUIRED.

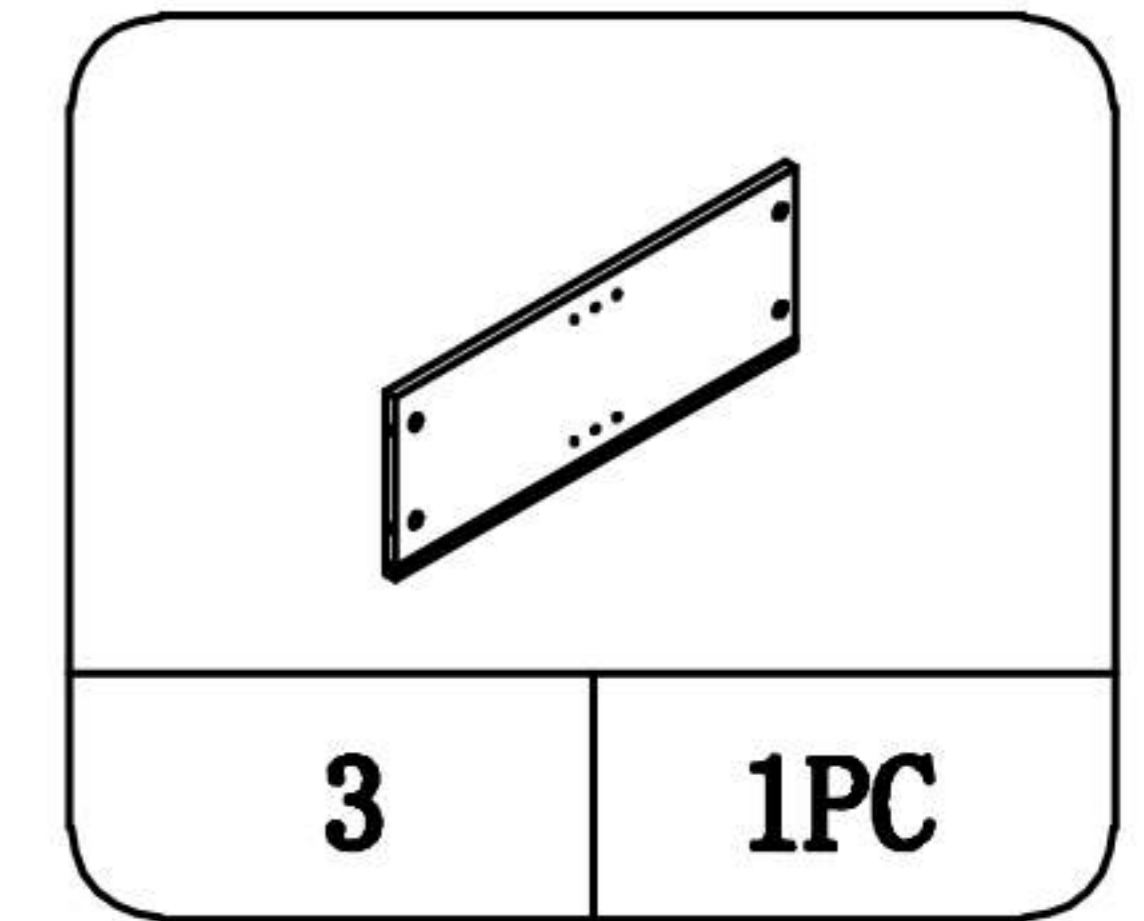
Part List



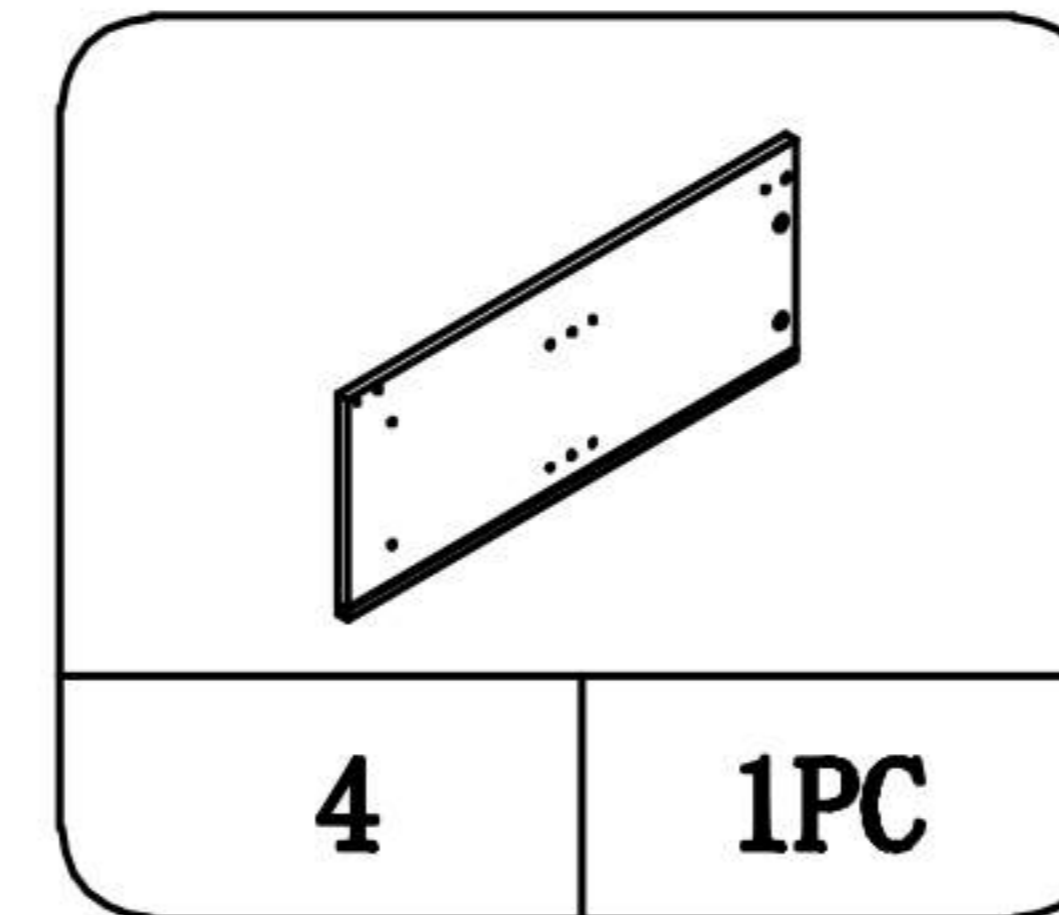
Top board



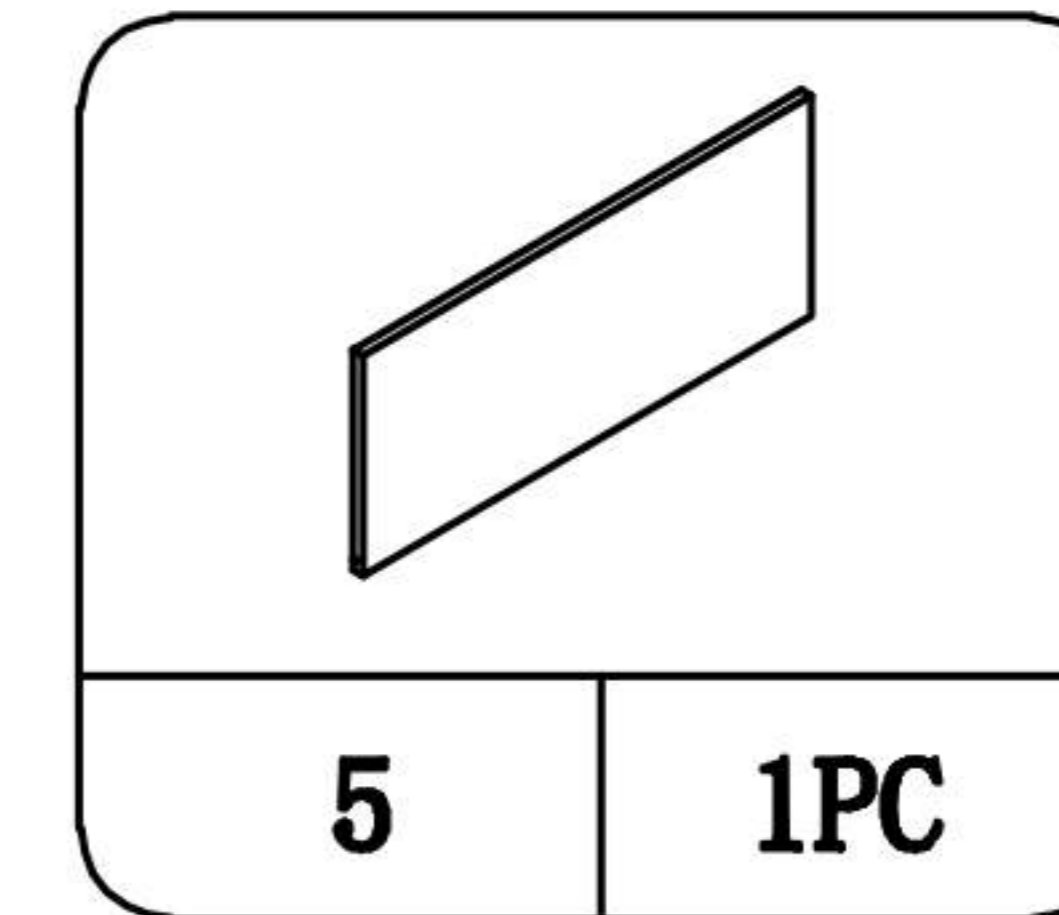
Bottom board



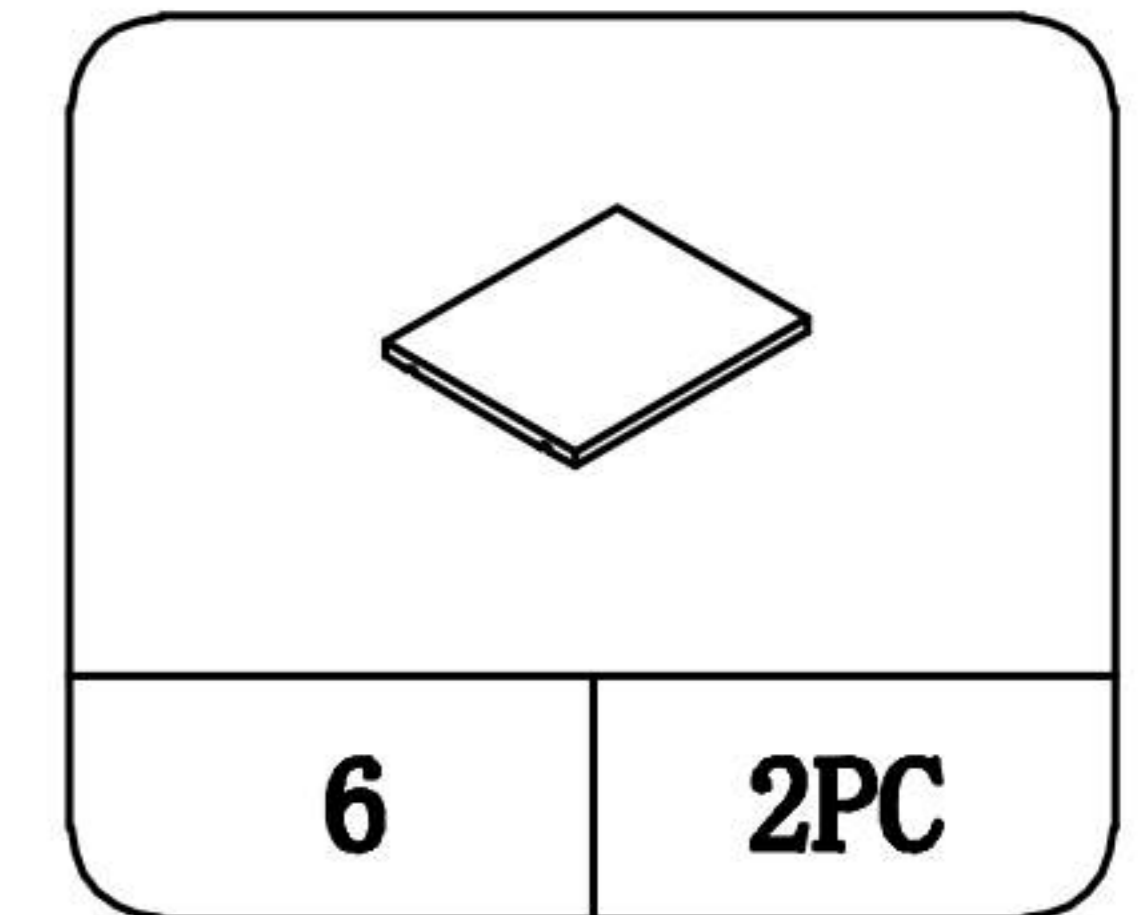
Vertical board



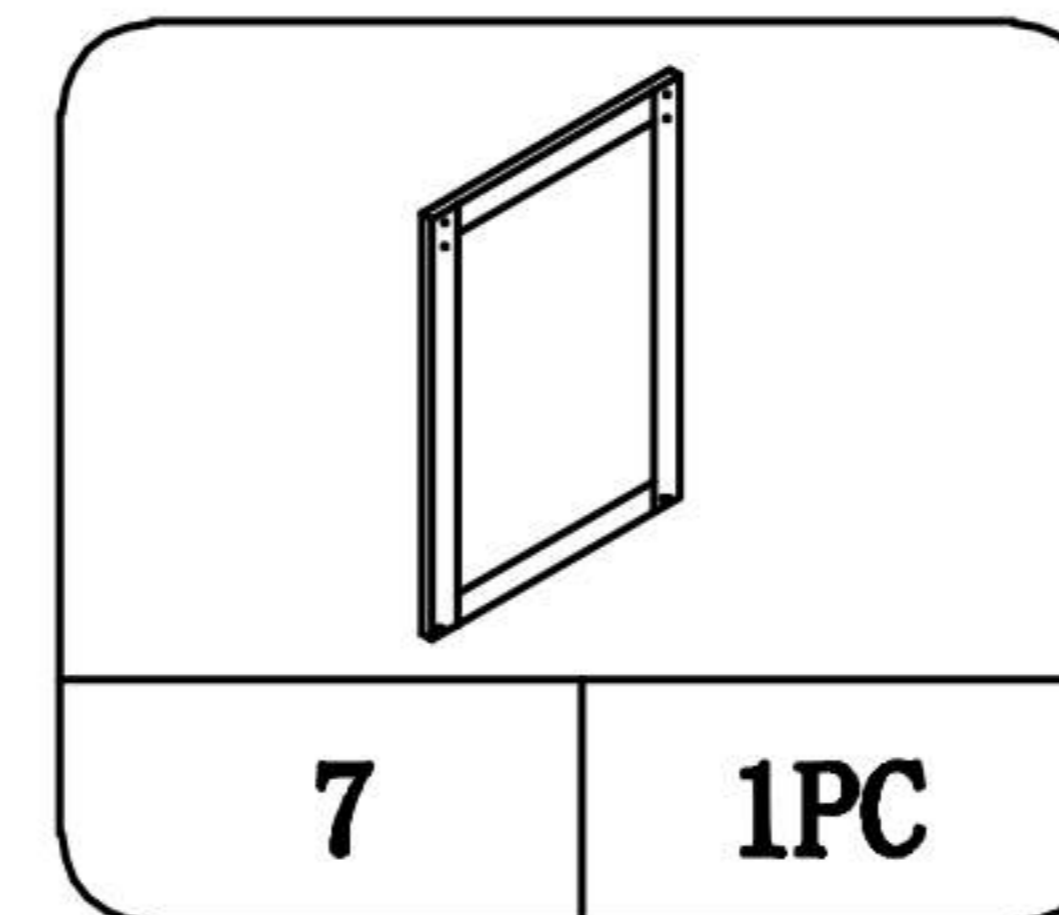
Left side board



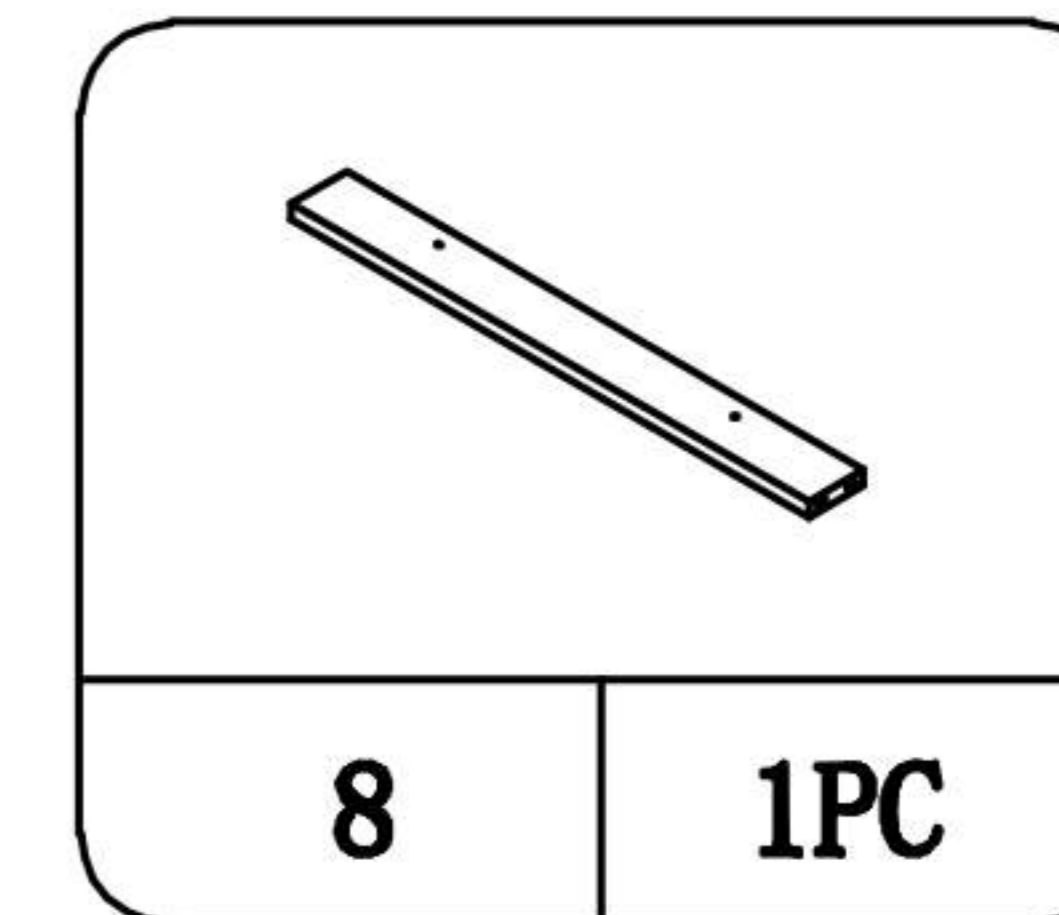
Right side board



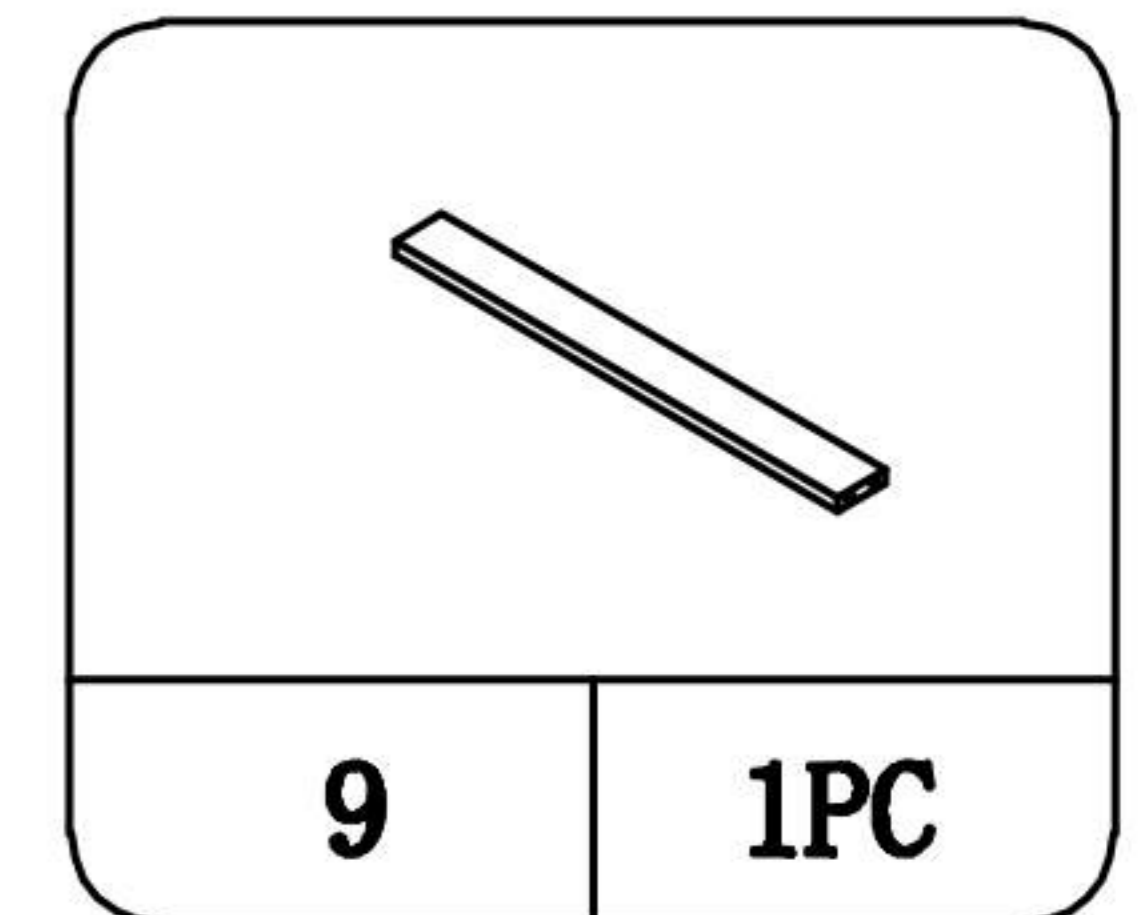
Layer board



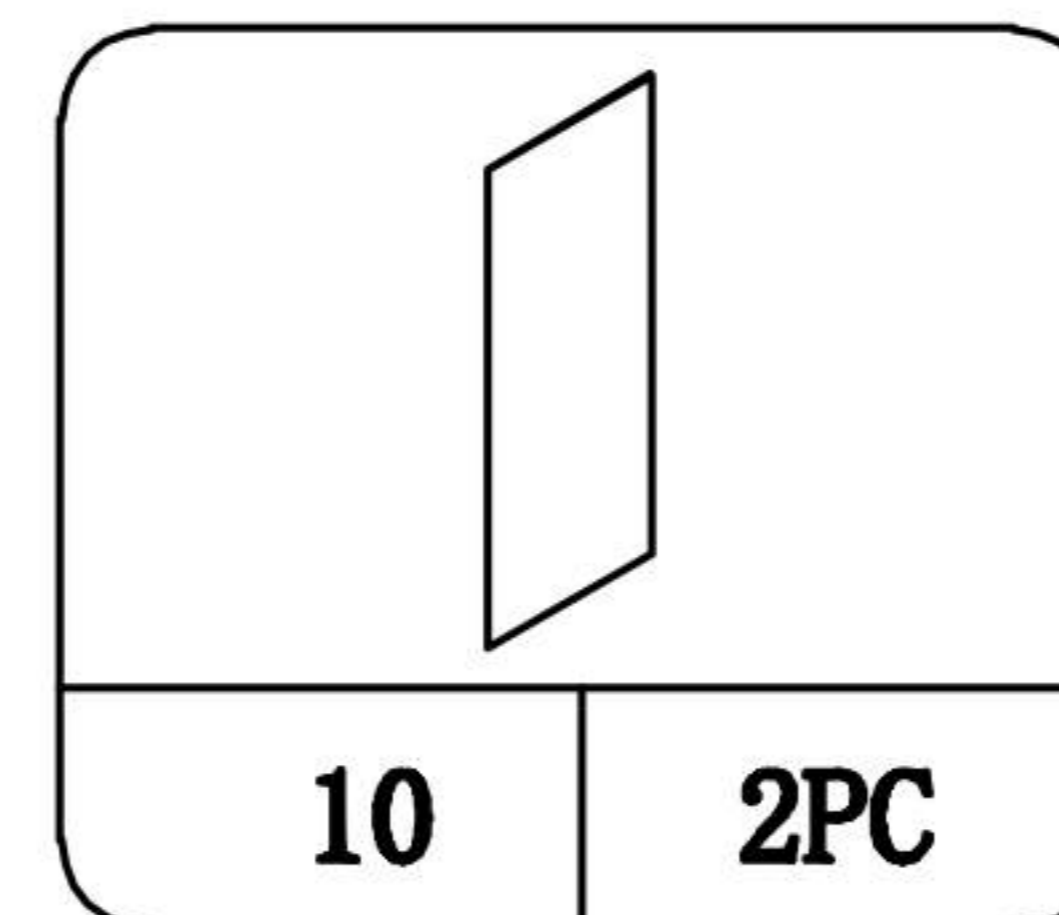
Door



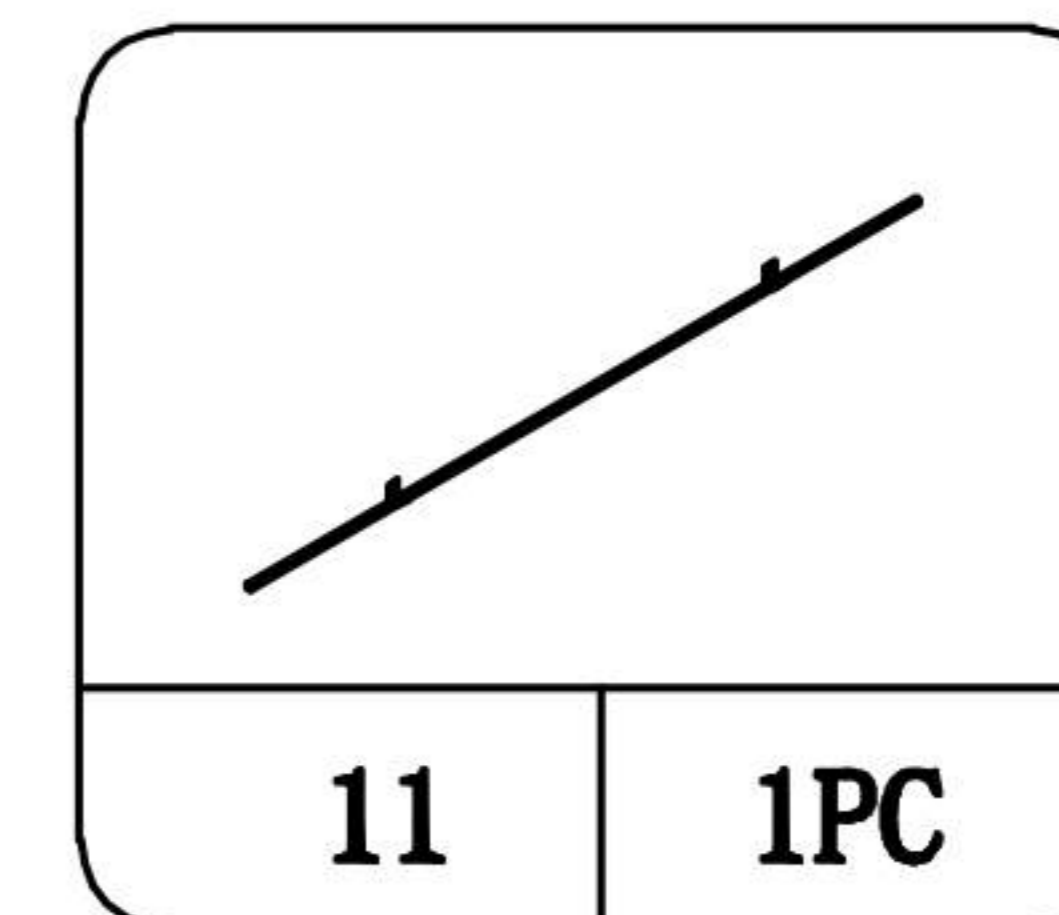
Front apron



Lower apron

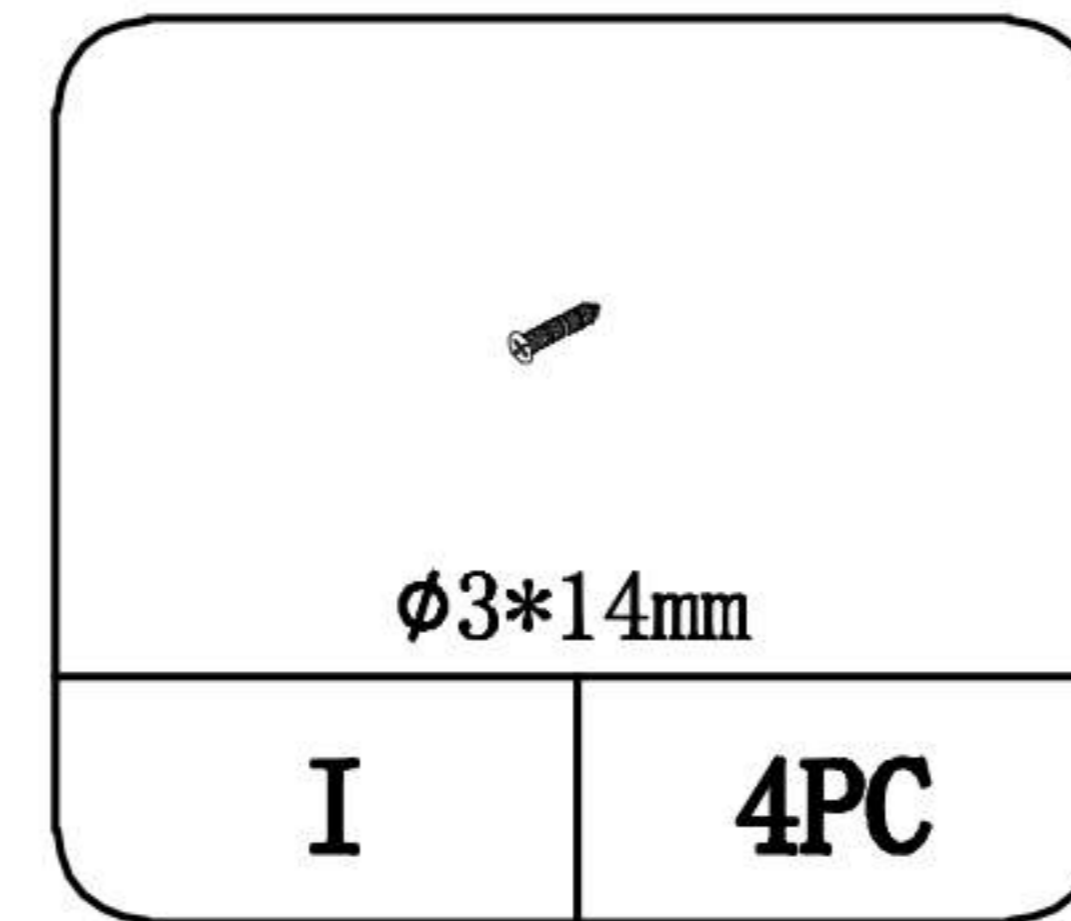
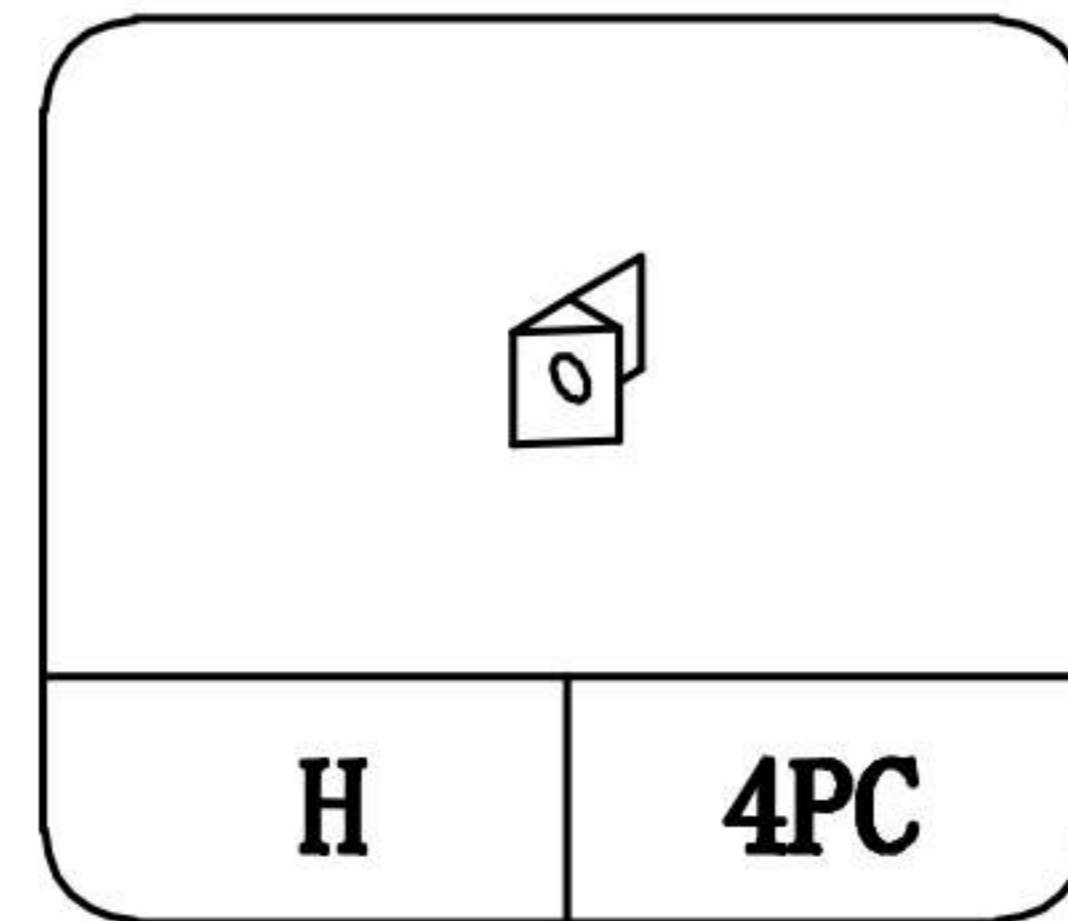
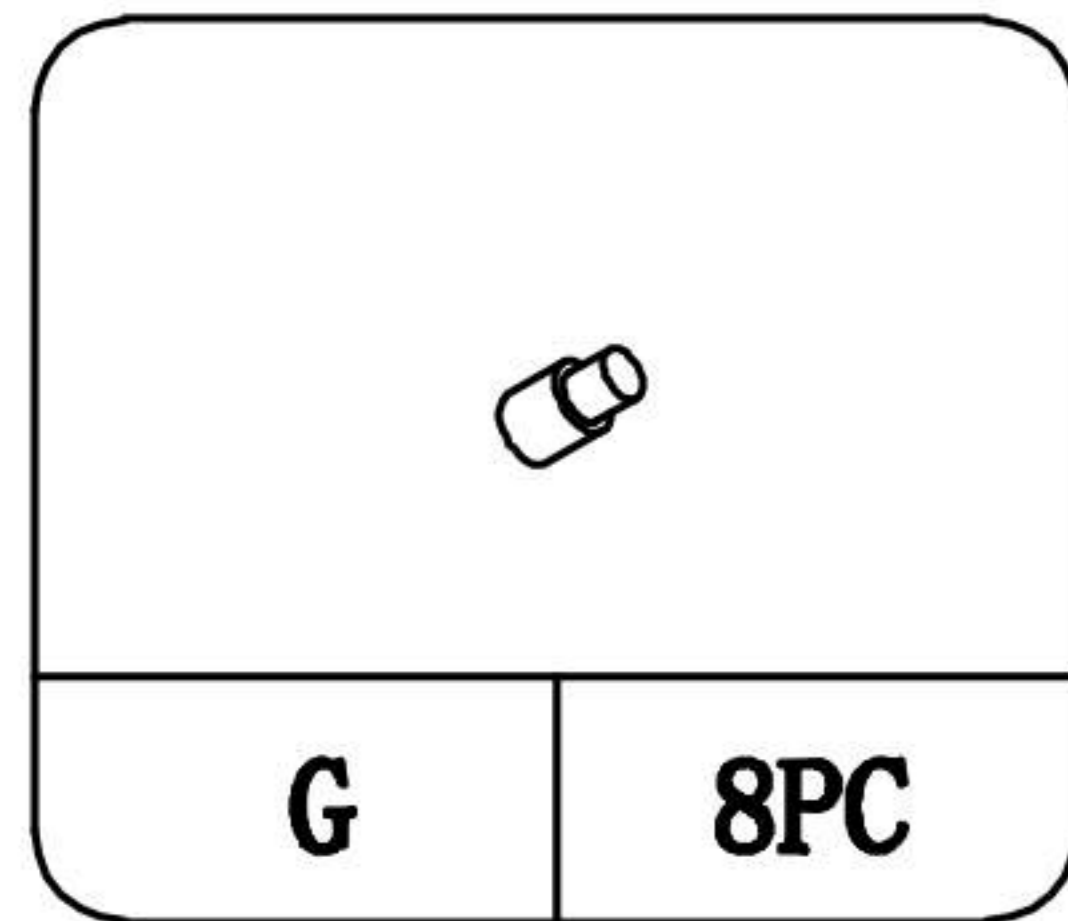
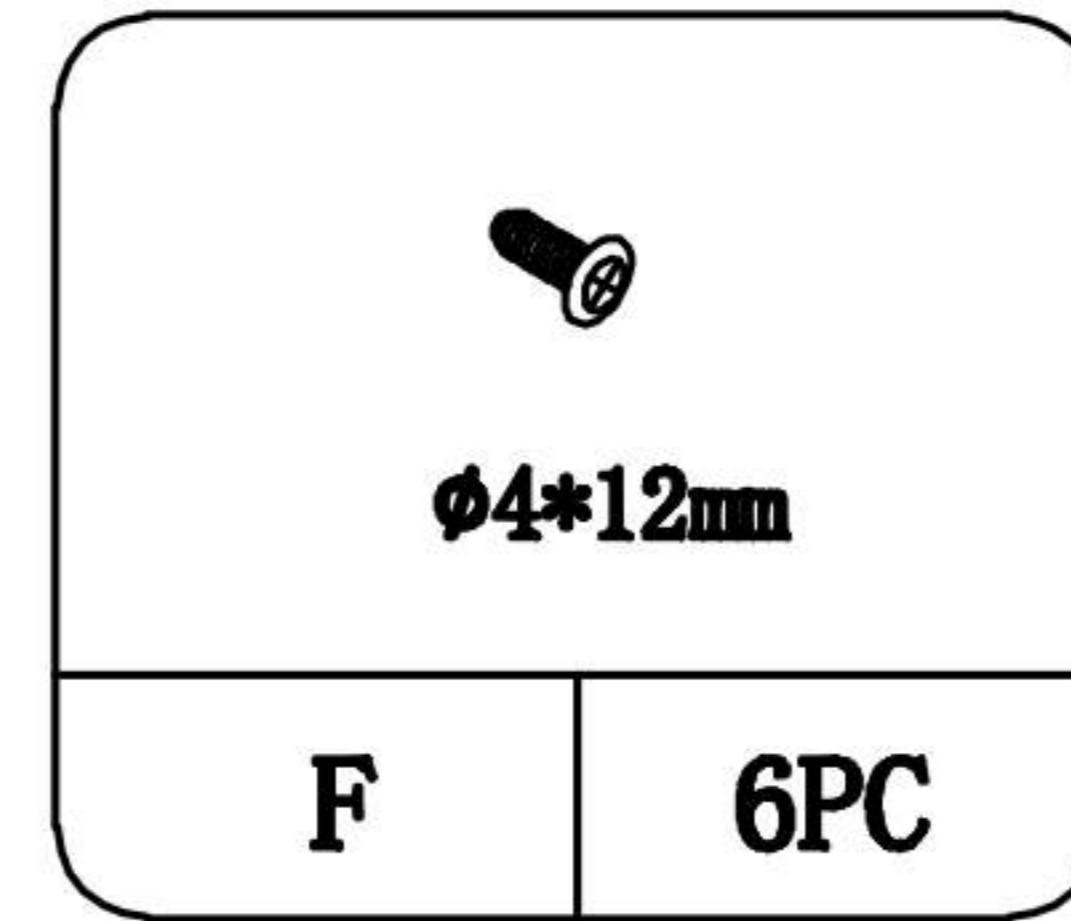
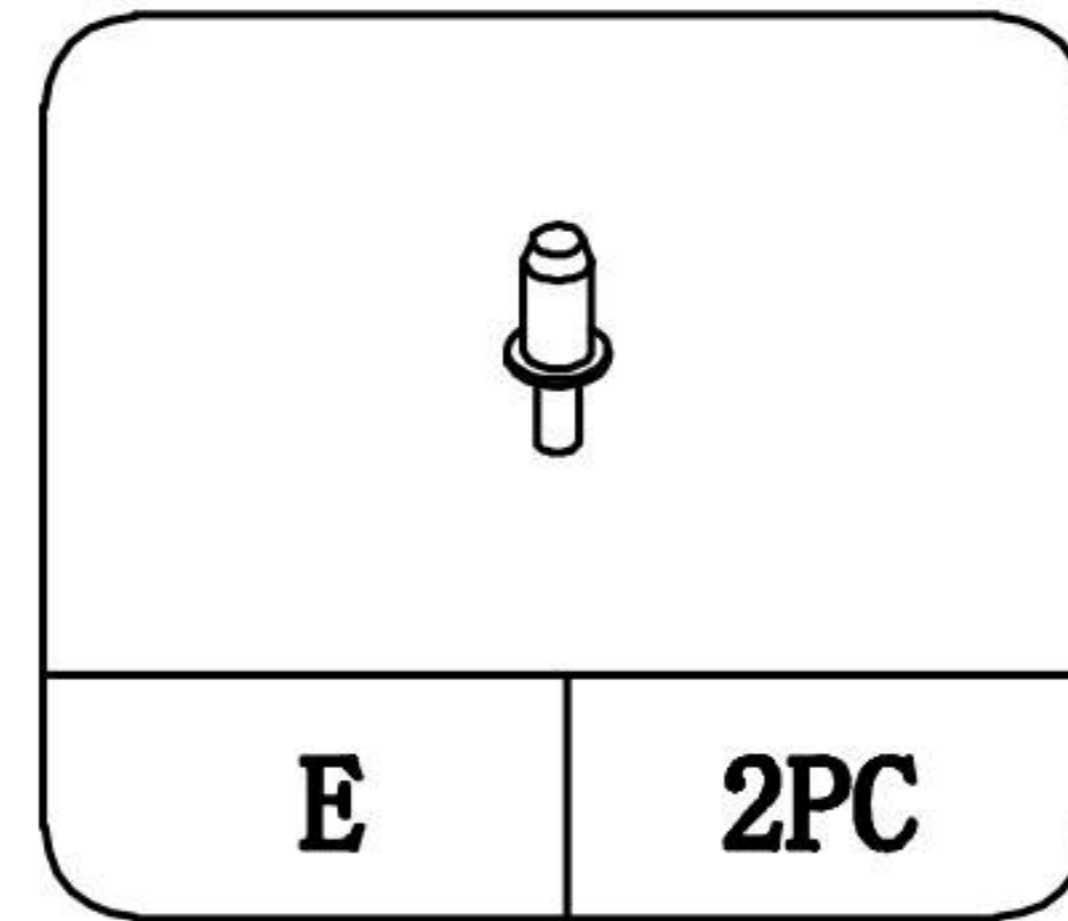
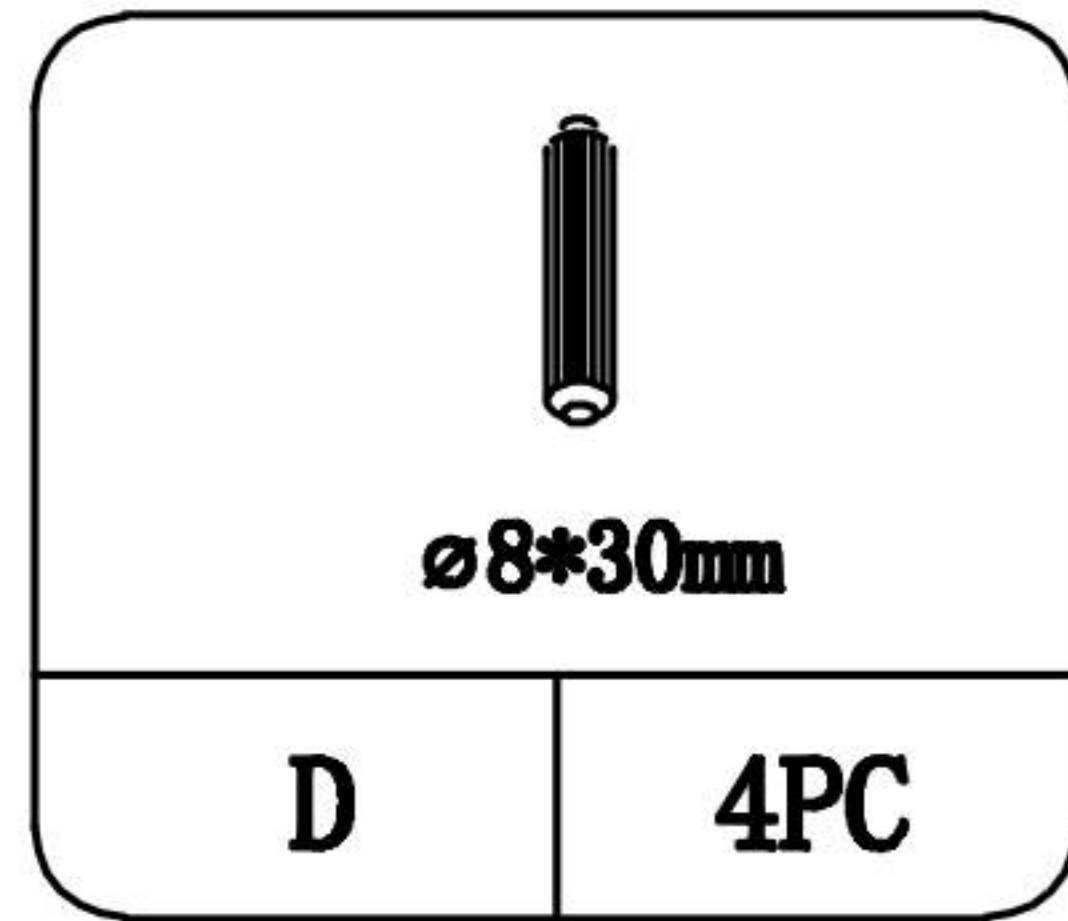
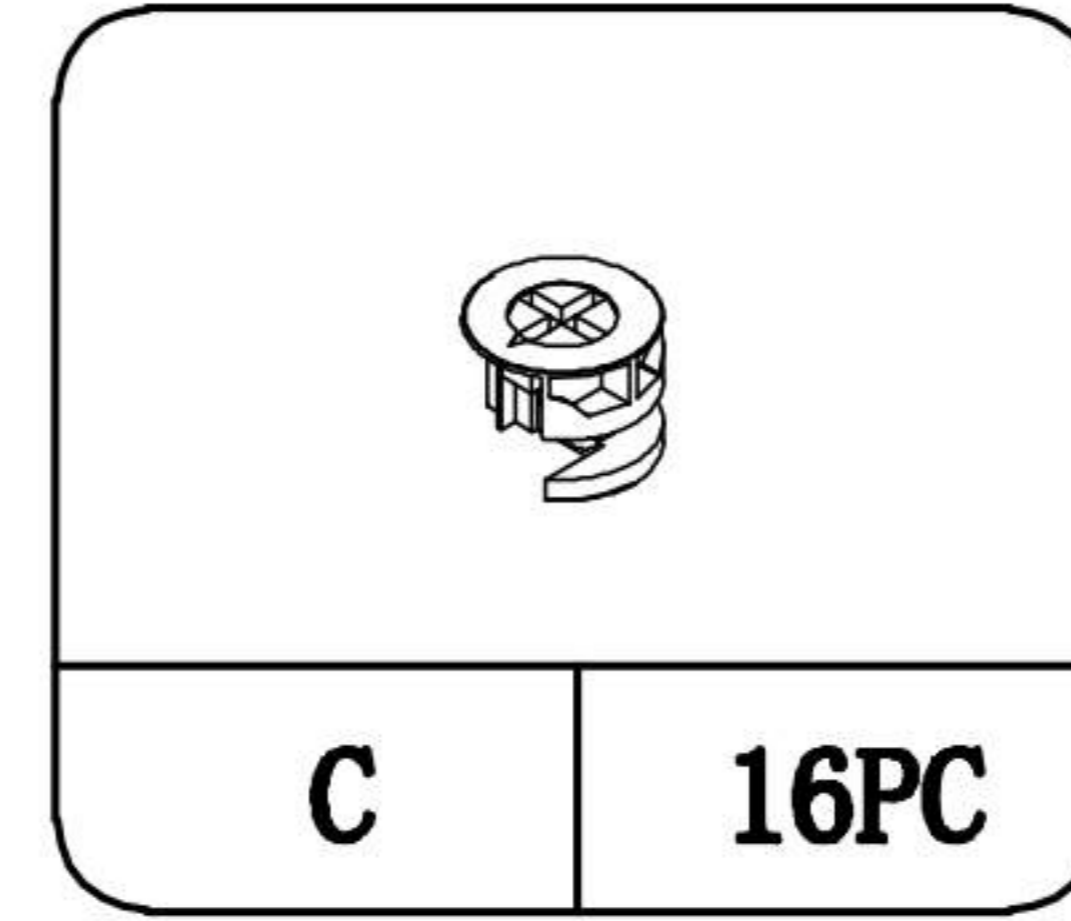
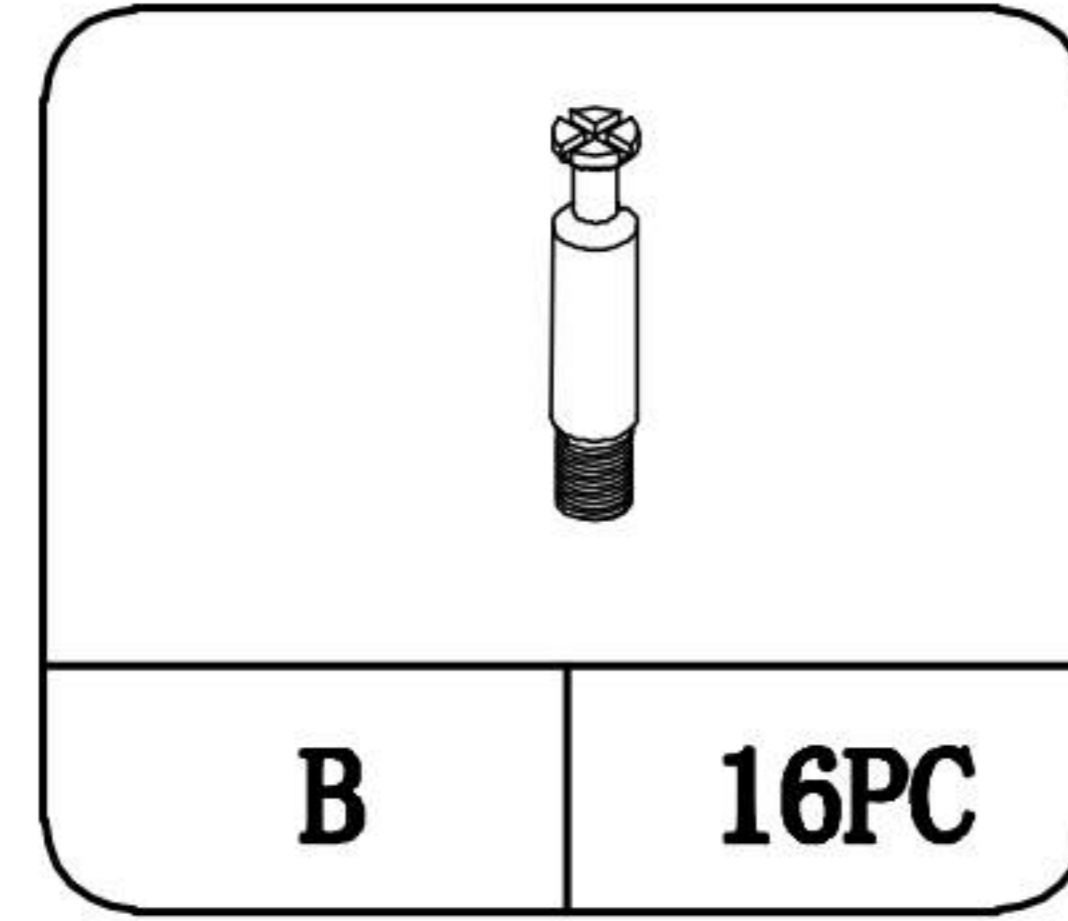
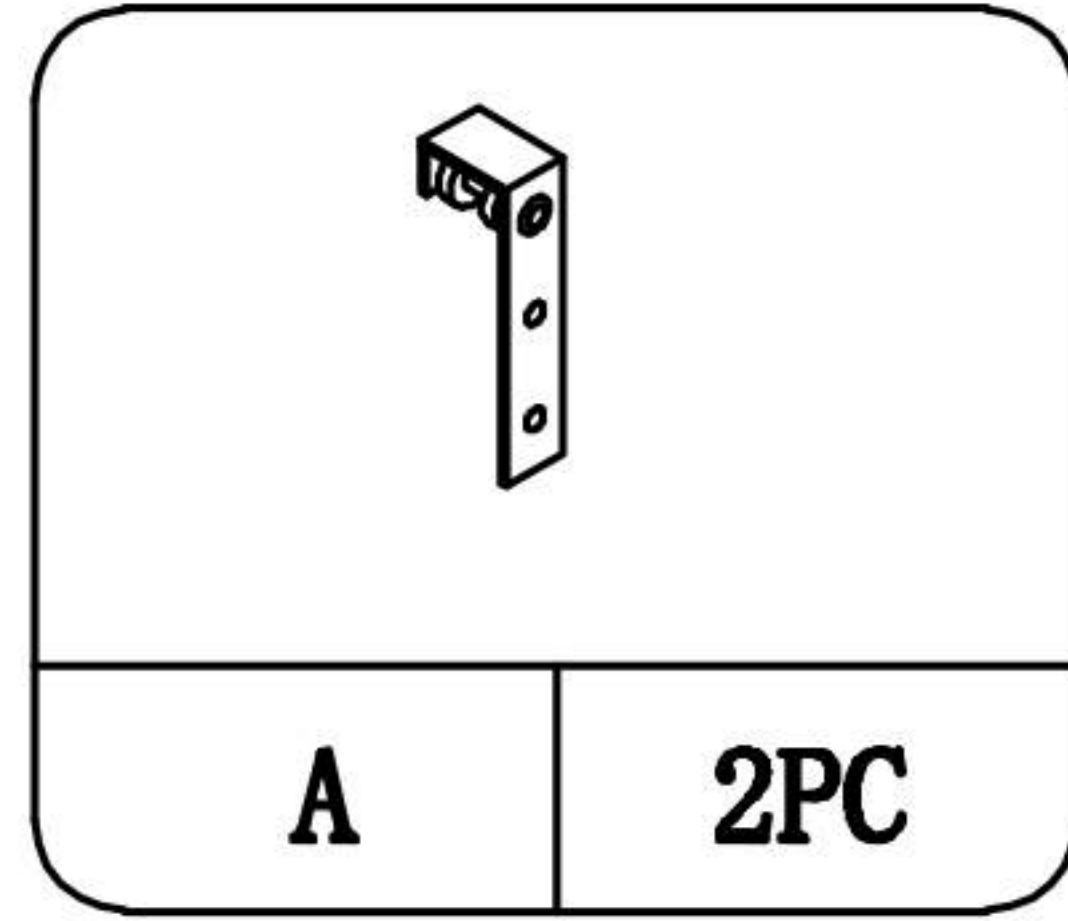


Back board



Slide

Hardware List

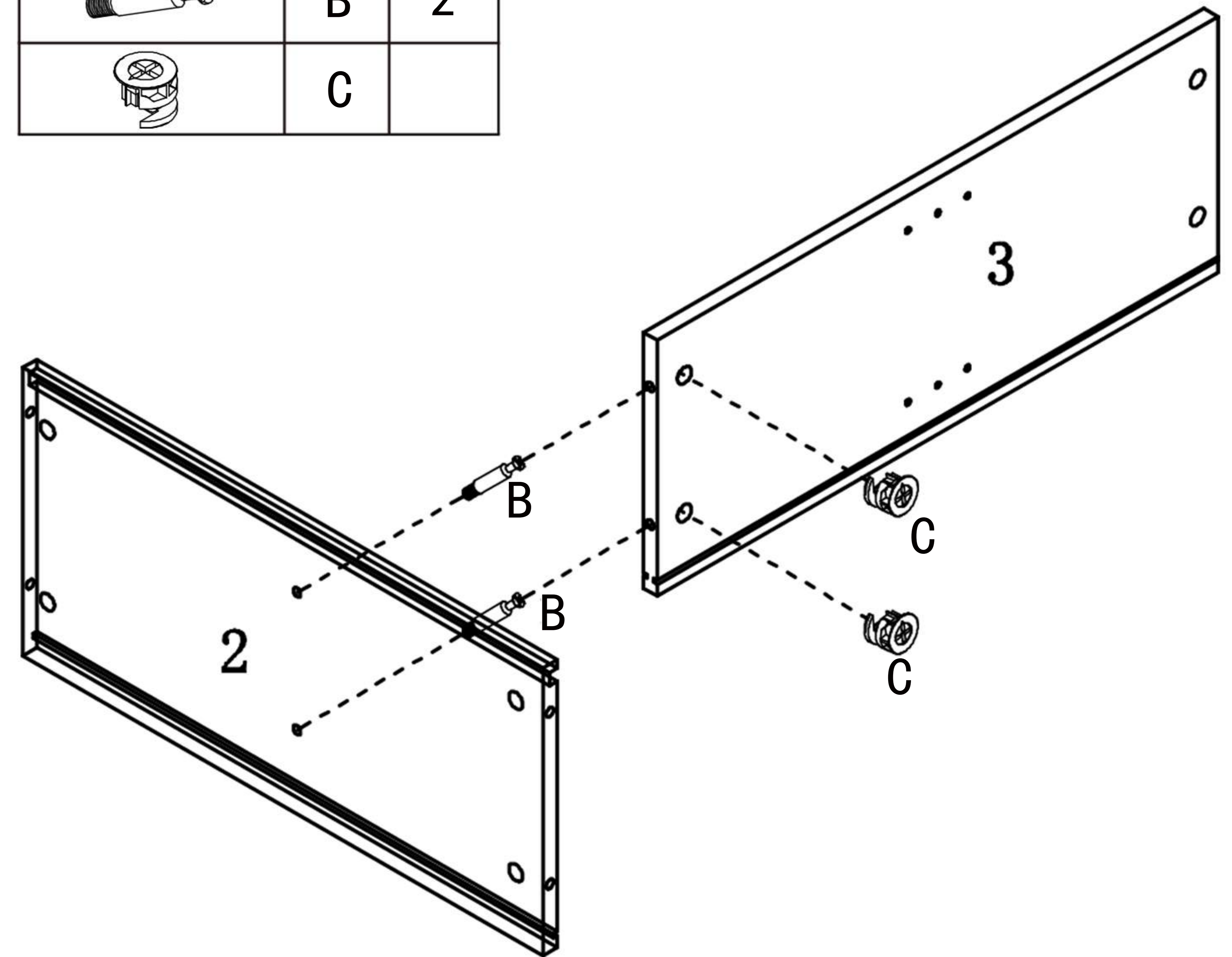


STEP 1

Attach (B) into part (2) with screwdriver.

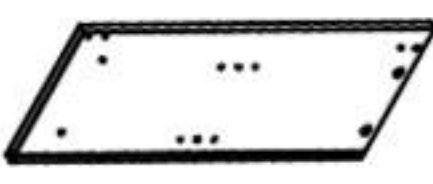
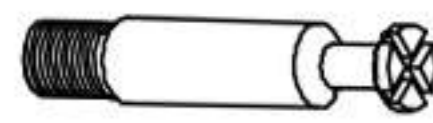

Attach part (2) to part (3), then insert and secure cam lock (C).

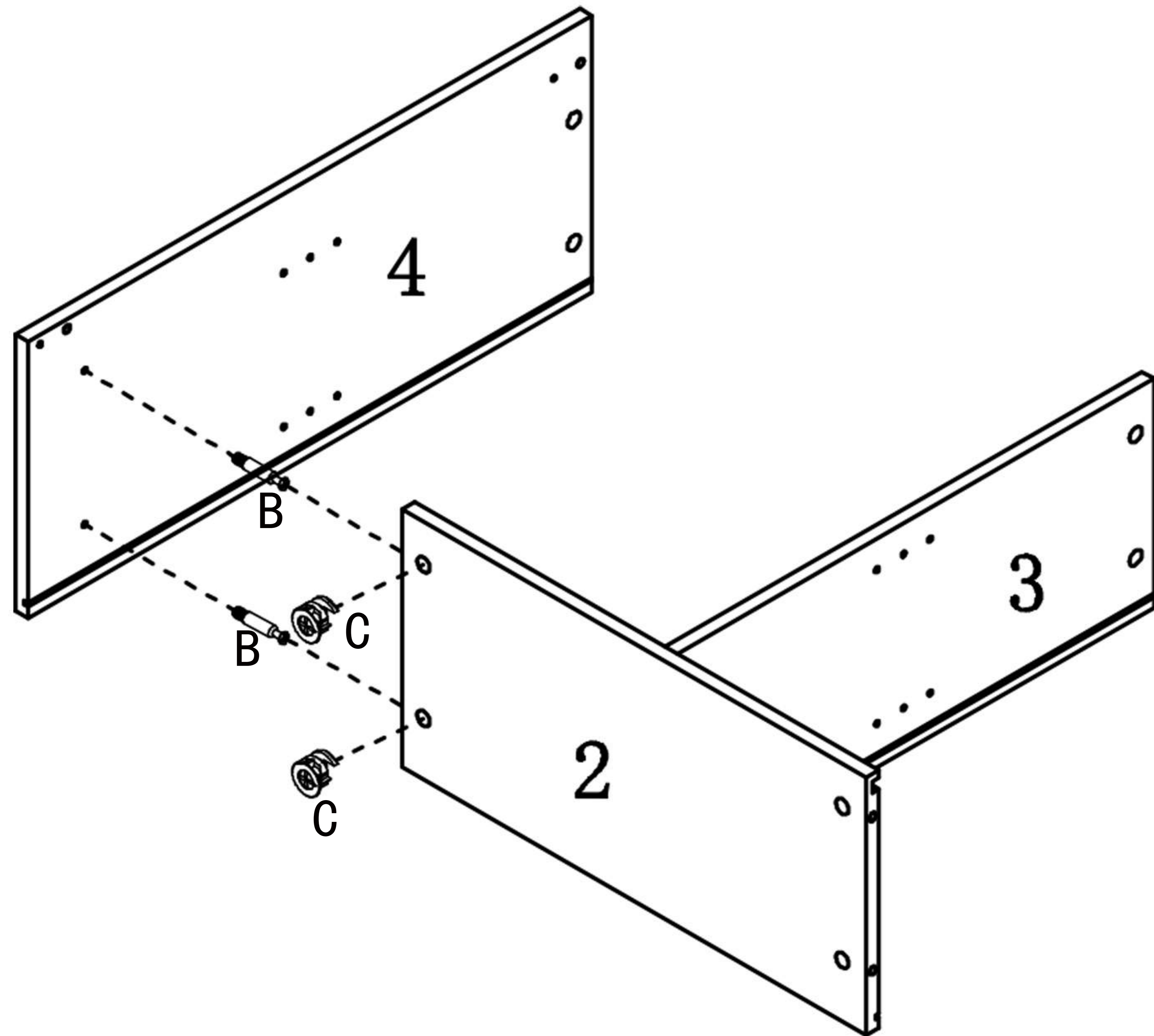
PART	NO.	Qty.
	2	1
	3	1
	B	2
	C	



STEP 2

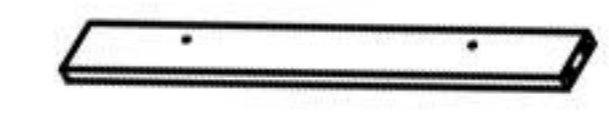
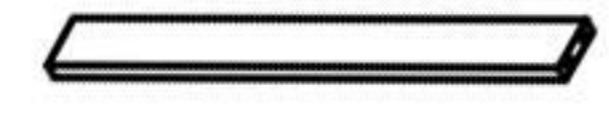



Attach (B) into part(4) with screwdriver. Attach part (4) to part (2), then insert and secure cam lock (C).

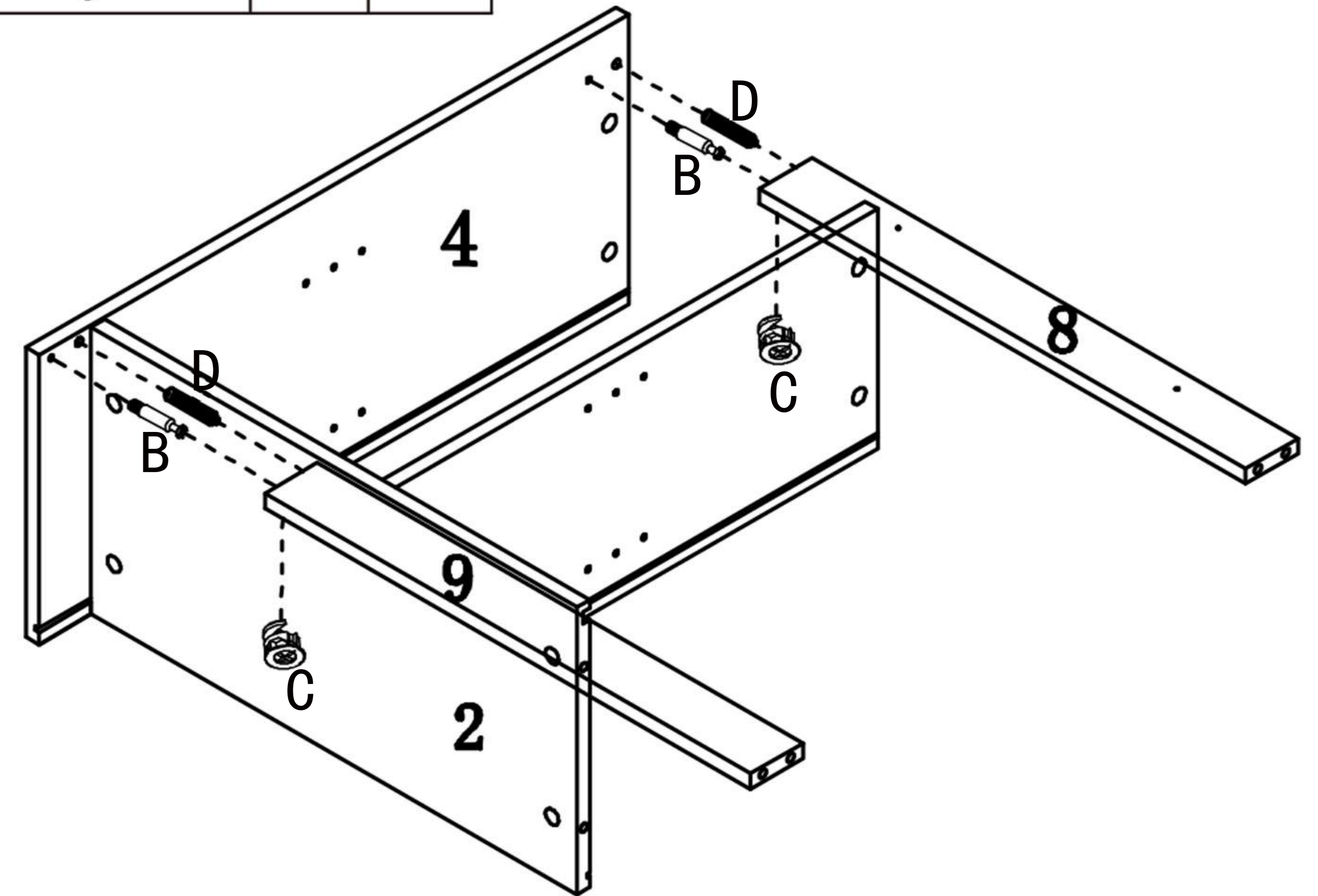
PART	NO.	Qty.
	4	1
	B	2
	C	2



STEP 3


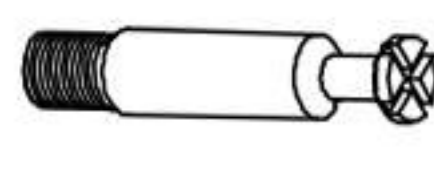
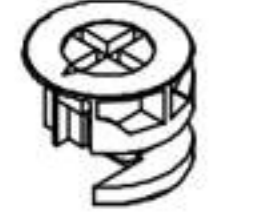

Attach (B) into part(4) with screwdriver. Insert (D) into part(4). Attach part (4) to part (8,9), then insert and secure cam lock (C).

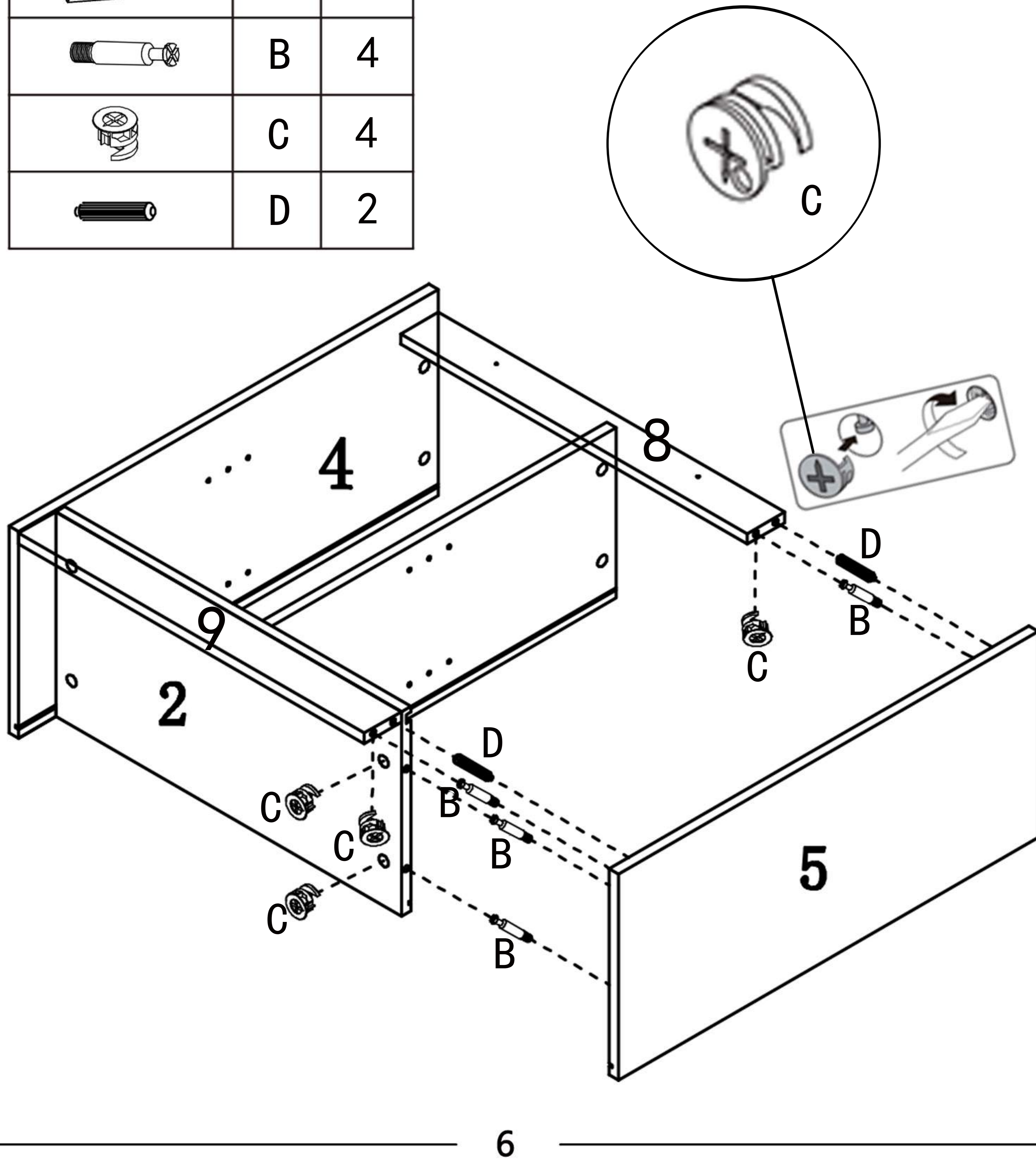
PART	NO.	Qty.
	8	1
	9	1
	B	2
	C	2
 $\varnothing 8 \times 30 \text{mm}$	D	2



STEP 4

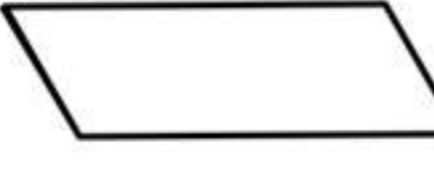


Attach (B) into part(5) with screwdriver, insert (D) into part (5).
 Attach (5) to part (2, 8, 9), insert and secure cam lock (C/part 2 have 2C, part 8 and part 9 each has 1C).

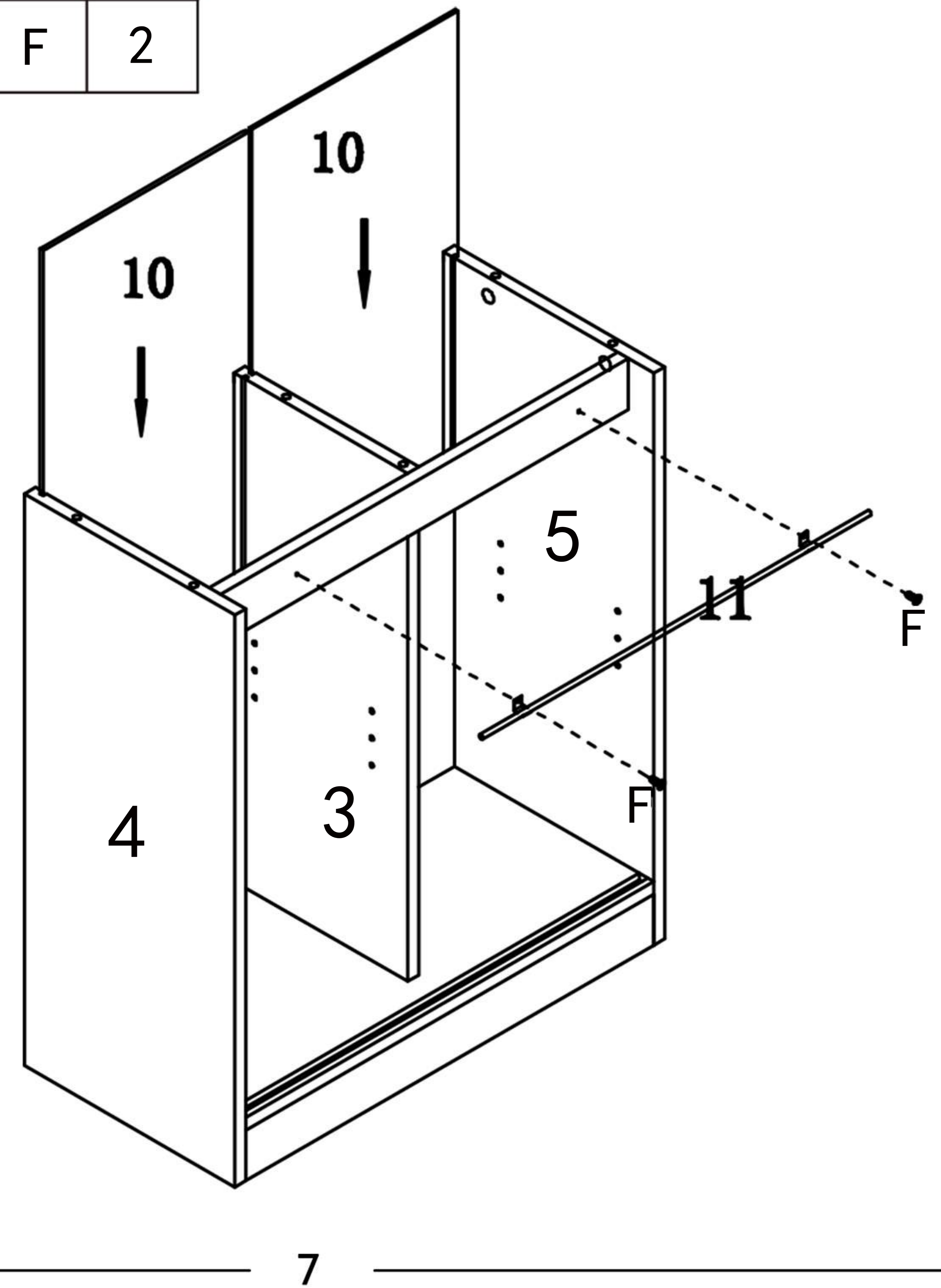
PART	NO.	Qty.
	5	1
	B	4
	C	4
	D	2



STEP 5

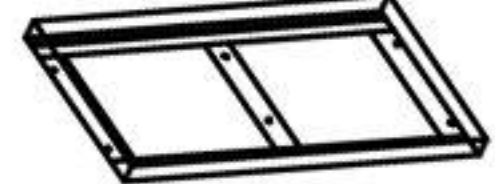
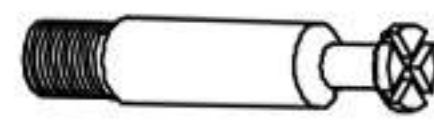

Put part (10) into grooves as per diagram.
 Attach (11) to part (8) with (F).

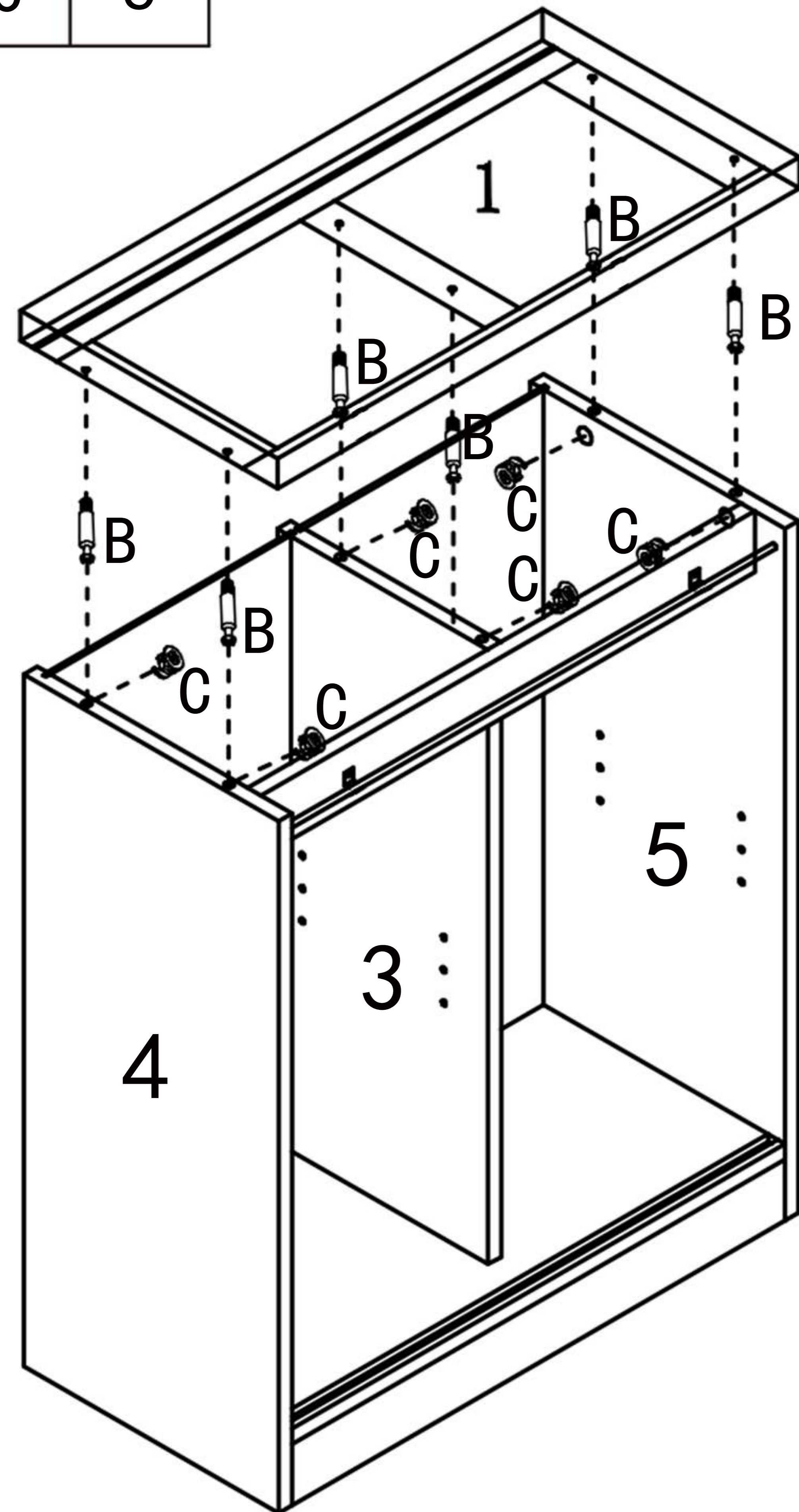
PART	NO.	Qty.
	10	2
	11	1
	F	2



STEP 6



Attach (B) into part(1) with screwdriver.
Attach (1) to part (3,4,5), insert and secure cam lock (C).

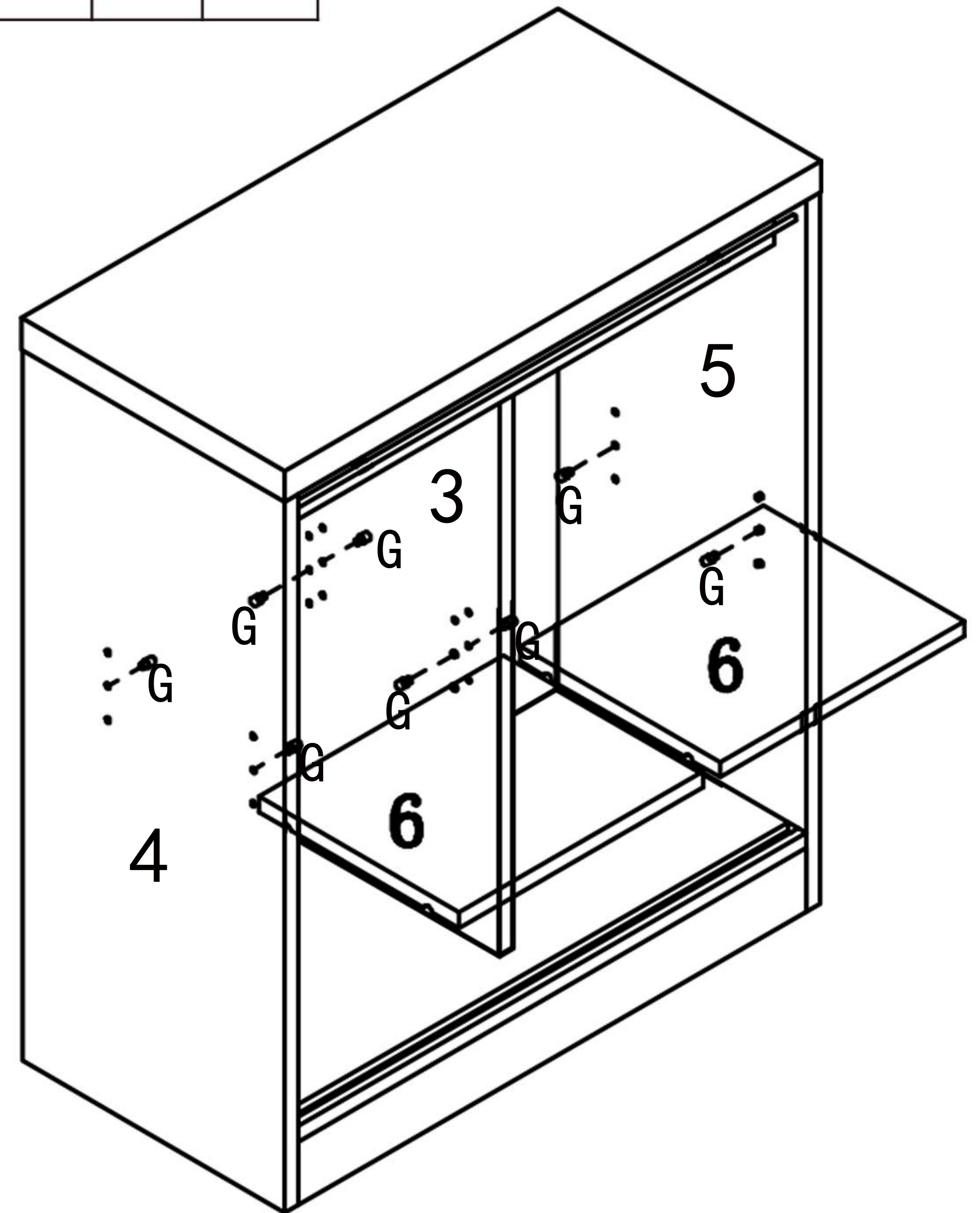
PART	NO.	Qty.
	1	1
	B	6
	C	6



STEP 7

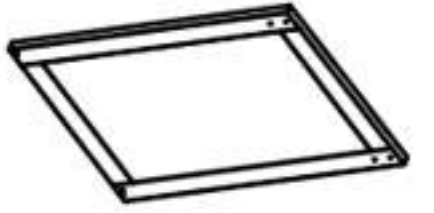

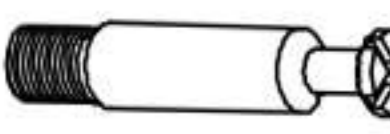

Insert(G) into the part (3,4,5). Then put (6) into your desired height.

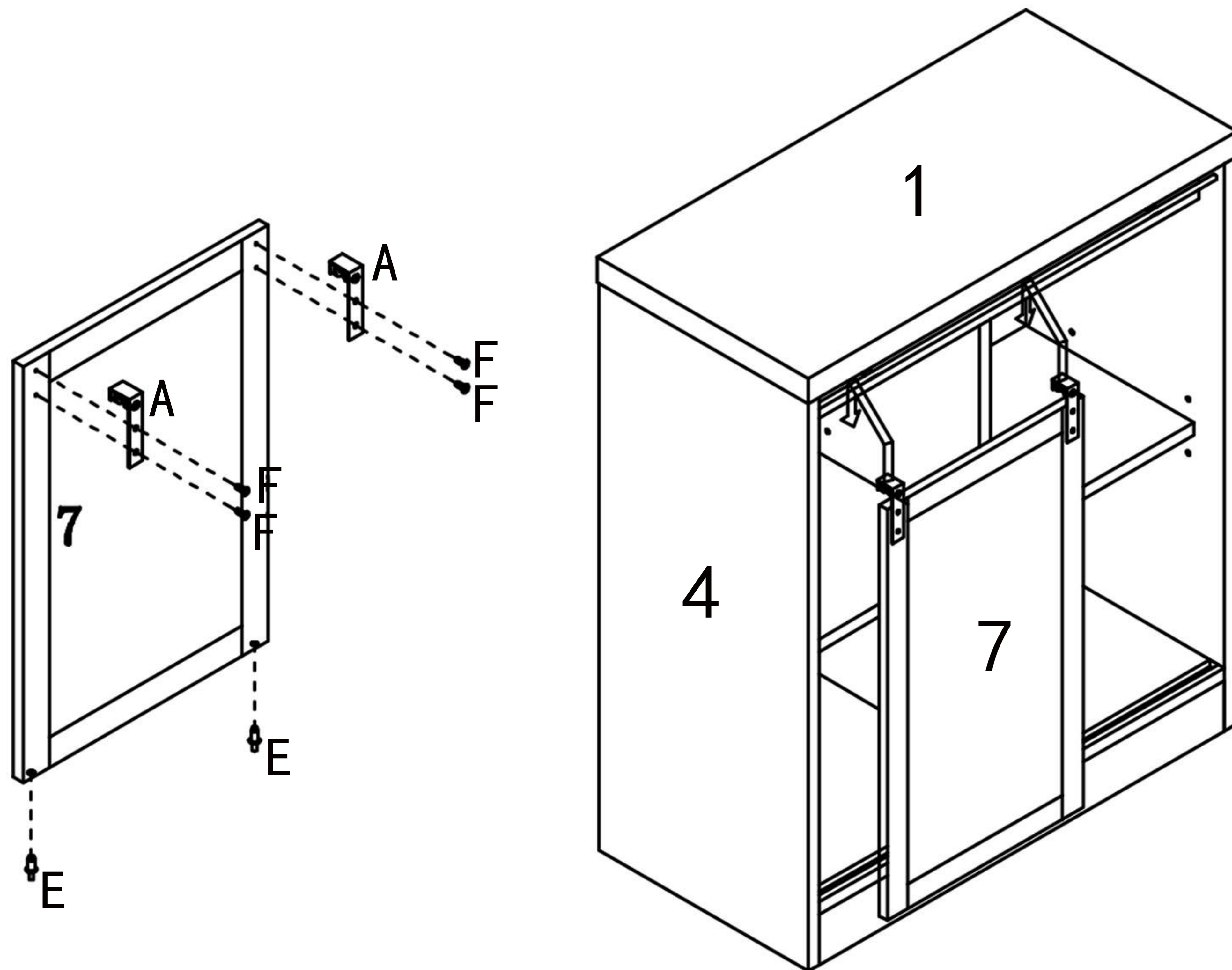
PART	NO.	Qty.
	6	2
	G	8



STEP 8



Attach (A) to part (7) with (F), and Insert part (E) at the bottom.
Hang pulley (A) to part (11) then press down to hold the door.

PART	NO.	Qty.
	7	1
	A	2
	B	2
	F	4



STEP 9

Attach (H) with (I) as instruction.

PART	NO.	Qty.
	H	4
	I	4

