

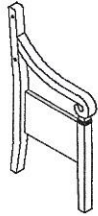
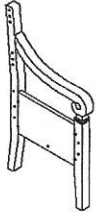
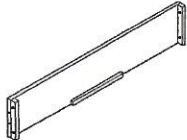
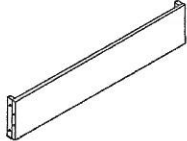
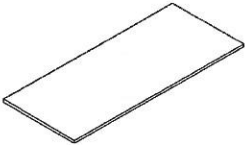
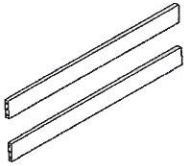
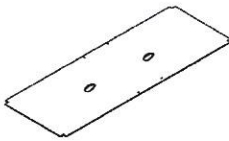
# ASSEMBLY INSTRUCTIONS



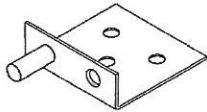

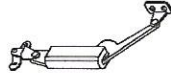


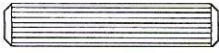



## INSTRUCCIONES

DO NOT TIGHTEN SCREWS UNTIL COMPLETELY ASSEMBLED  
NO APRETAR LOS TORNILLOS HASTA ARMAR COMPLETAMENTE

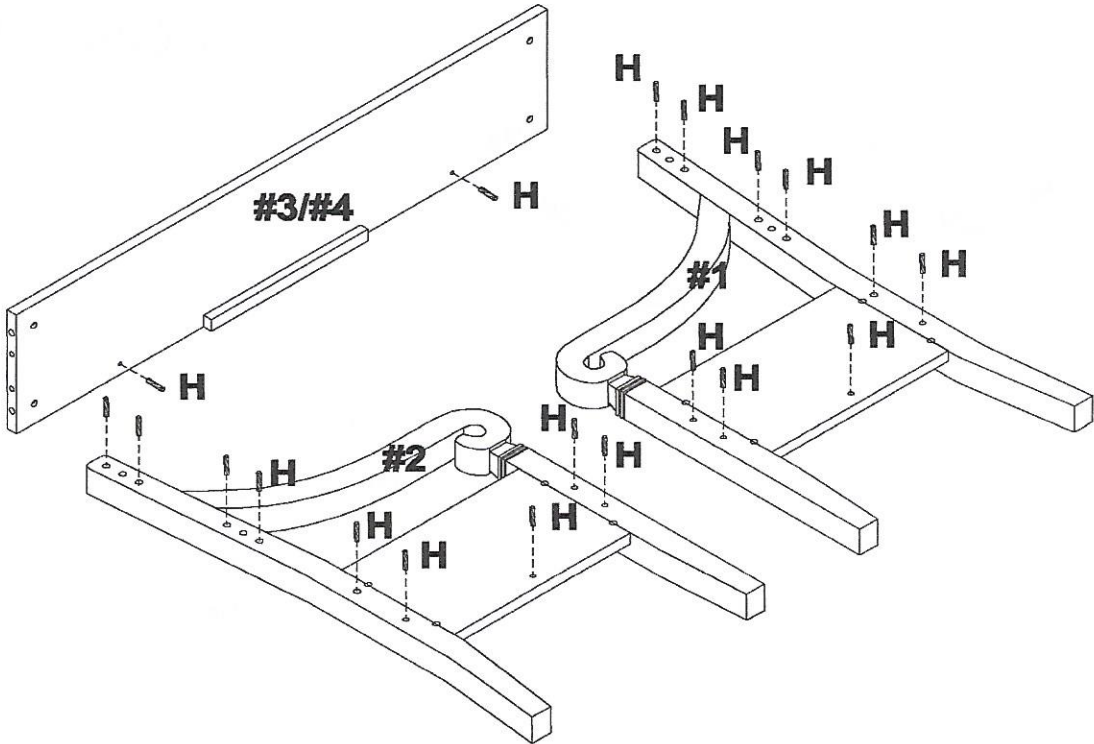
---



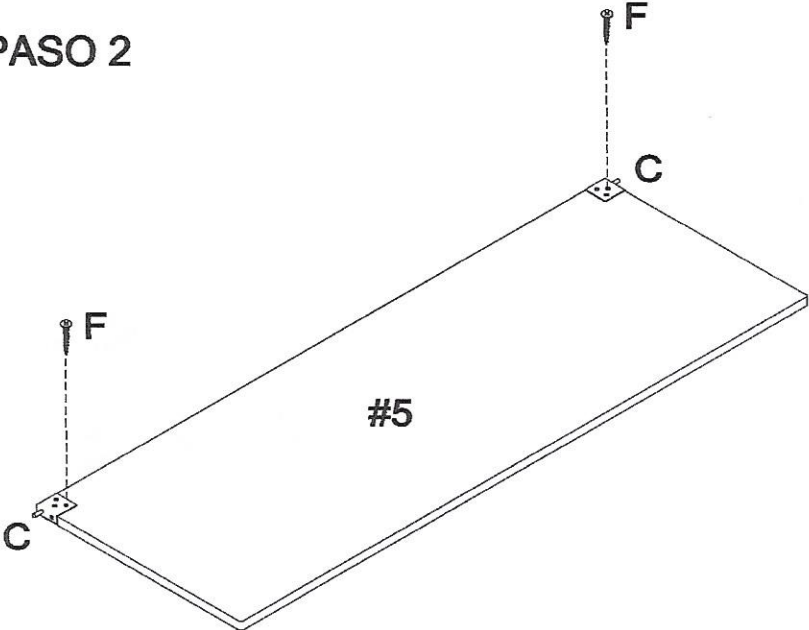
	PARTS LIST/LISTA DE PARTES	QTY
#1		01
#2		01
#3		01
#4		01
#5		01
#6		02
#7		01

	PARTS LIST/LISTA DE PARTES	QTY
A	 (Ø $\frac{1}{4}$ "x $\frac{1}{4}$ " )	08
B	 (Ø $\frac{1}{4}$ "x3" )	04
C		02
D		01
E		01
F	 (Ø $\frac{1}{8}$ "x $\frac{1}{2}$ " )	14
G	 (Ø $\frac{1}{8}$ "x $\frac{1}{2}$ " )	04
H	 (Ø $\frac{5}{16}$ "x $1\frac{1}{5}$ " )	20
I		04
J	 (Ø $\frac{1}{4}$ "x $\frac{5}{8}$ " )	04
K		04

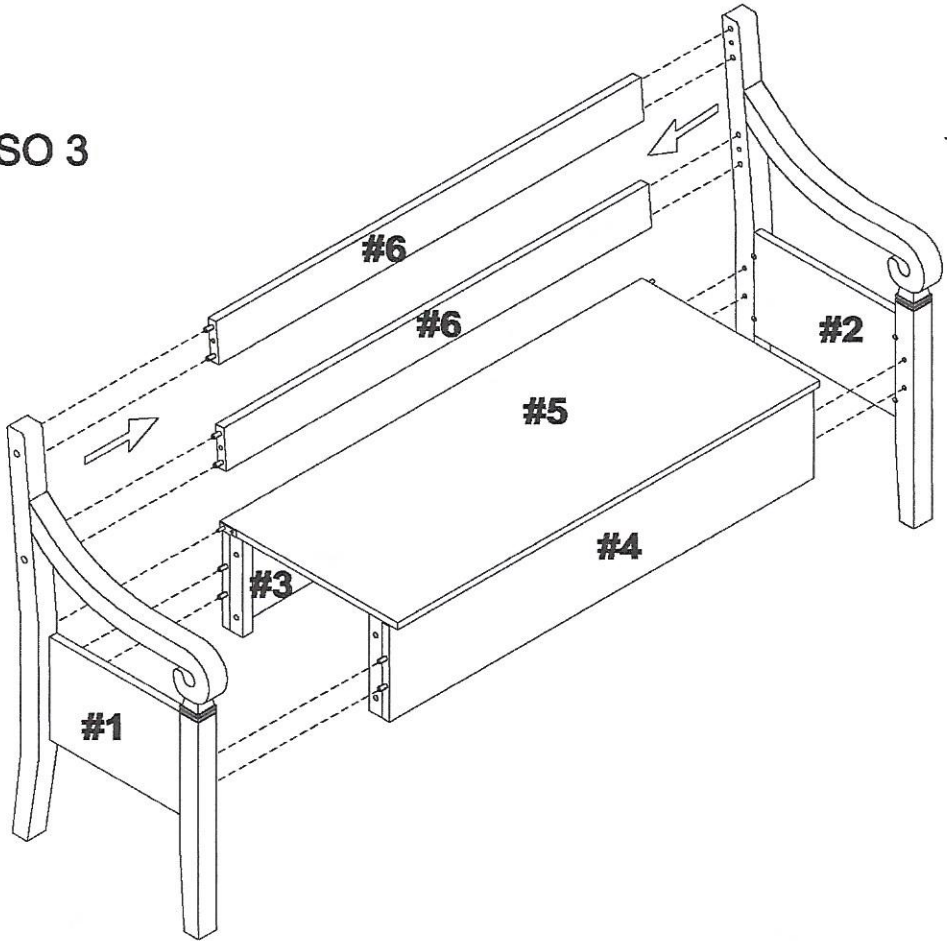
STEP #1 / PASO 1



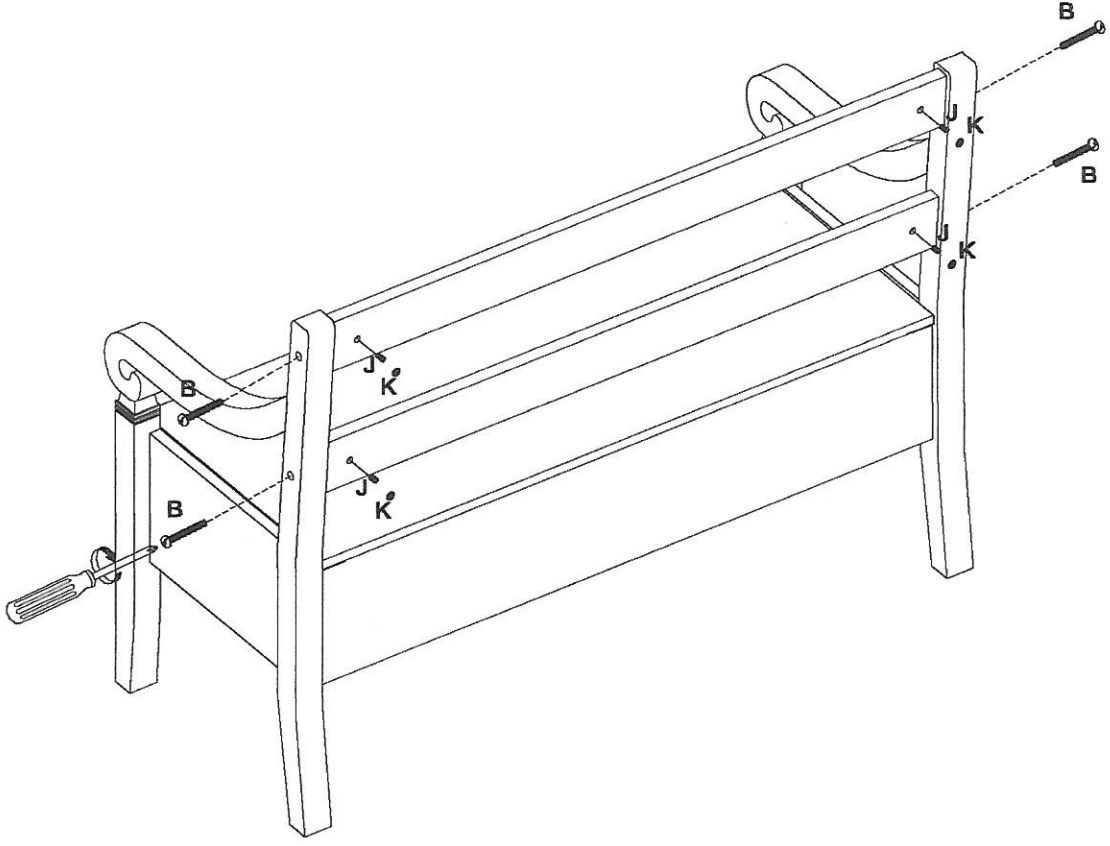
STEP #2 / PASO 2



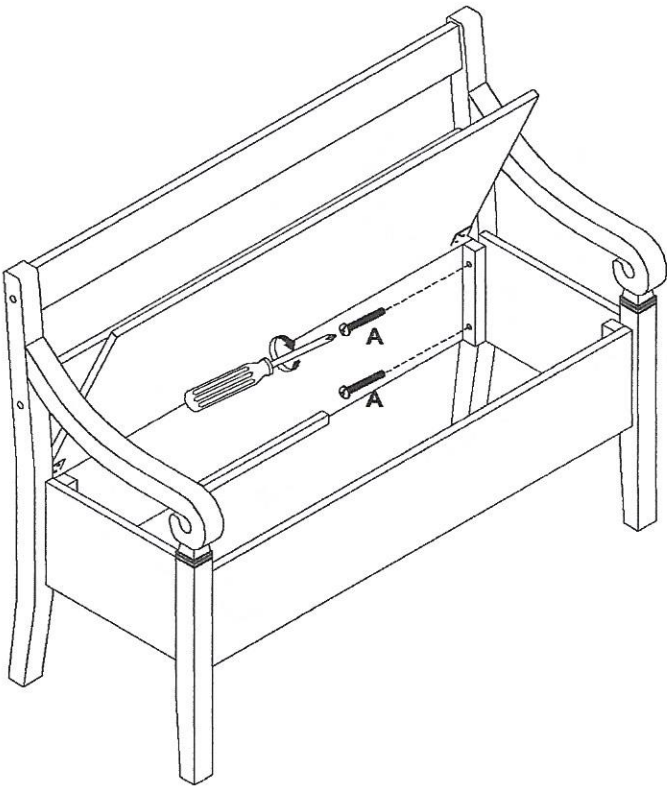
STEP #3 /PASO 3



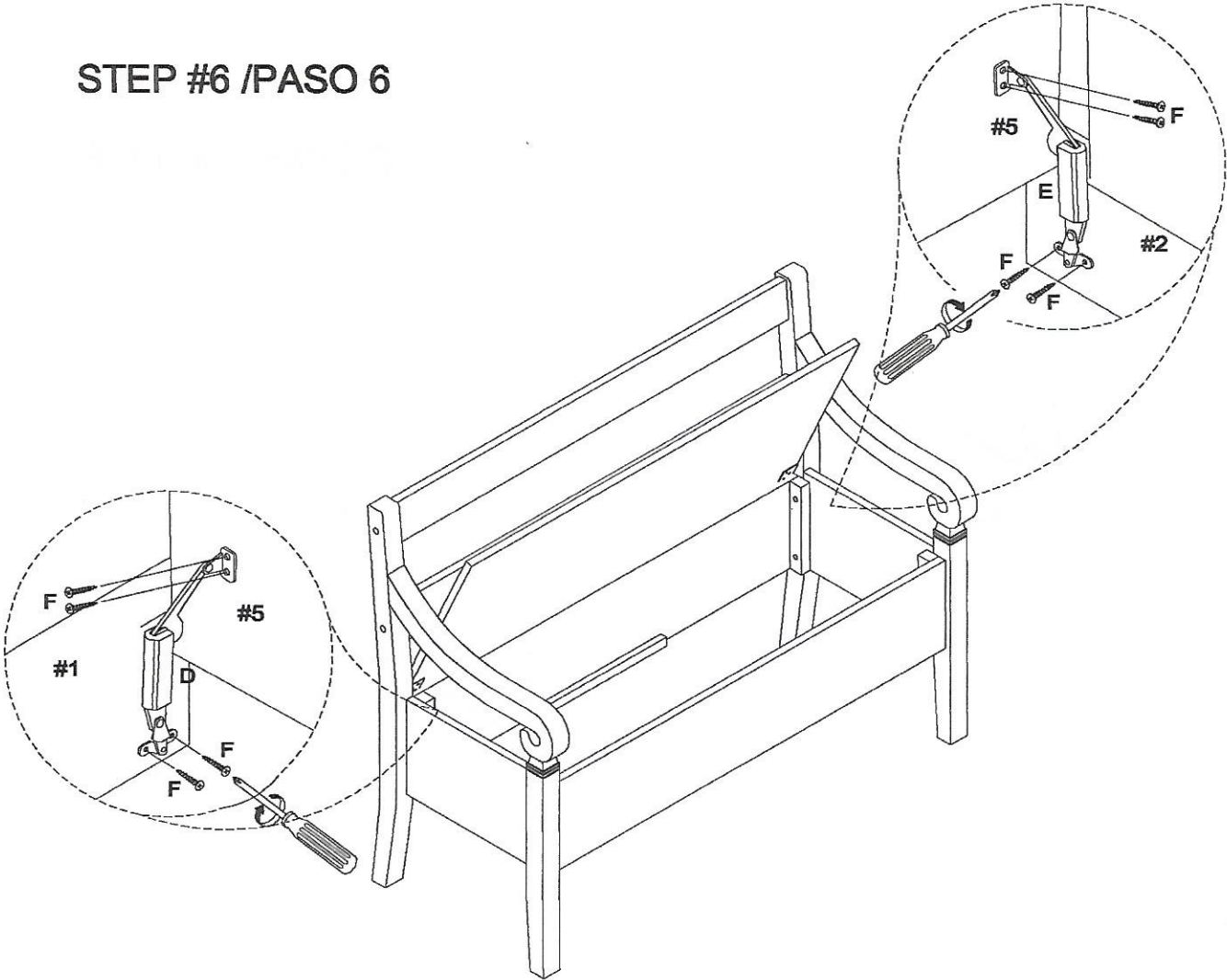
STEP #4 /PASO 4



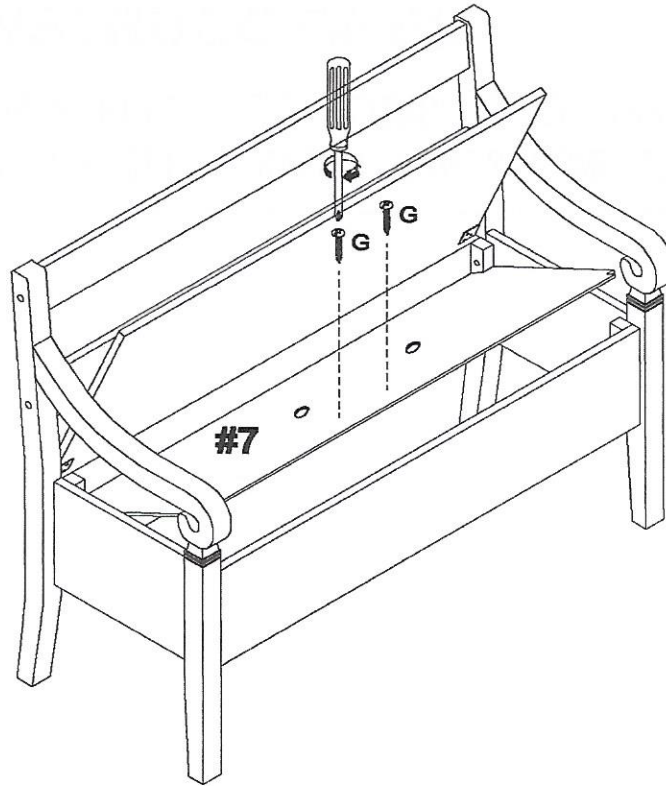
STEP #5 /PASO 5



STEP #6 /PASO 6



**STEP #7 / PASO 7**



**STEP #8 / PASO 8**

