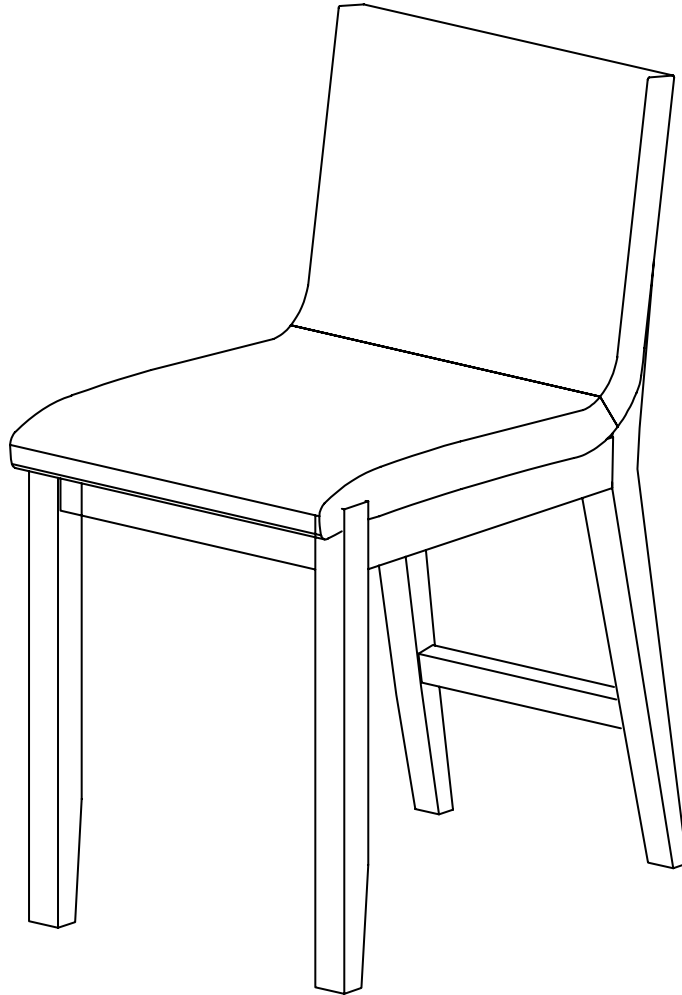


Let's build the

Gracie Dining Chair

SKU 27801



Scan me!

Free Lifetime
Warranty

nathan james

23-0605-VN

Ok, let's get rolling

This should be easy, just follow our instructions and you will be back to Netflix in no time.

Estimated time for assembly



20:00

What you need

- Some of your favourite bubbly or your preferred relaxant
- Use the packaging carton as a working surface to prevent product damage during assembly
- Phillips head screwdriver

Do not use a drill



Weight Limitation



300
lbs

Toll-free at 1-866-619-1004
Help@nathanjames.com
Nathanjames.com/help

What's included

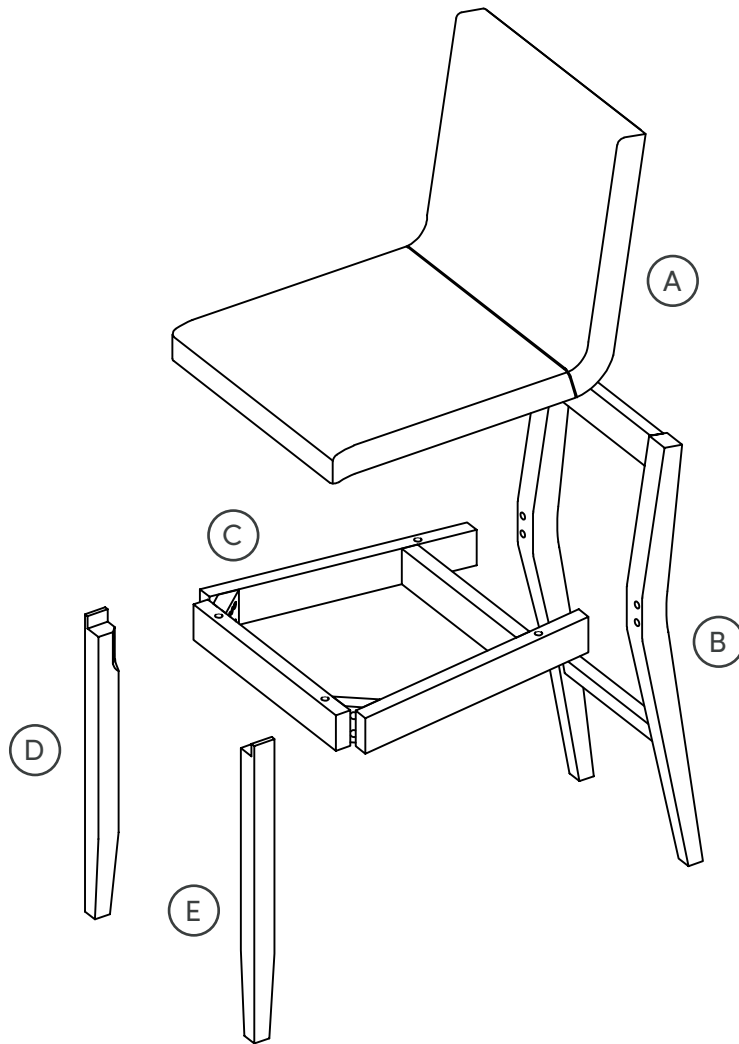
Description	Qty
A Seat Cushion	1
B Chair Back Sub-Assembly	1
C Seat Frame	1
D Front Leg (Left)	1
E Front Leg (Right)	1
1 1/4 x 2 3/8" Hex Button Head Bolt	12
2 1/4 x 1/2" Spring Washer	12
3 1/4 x 1/2" Flat Washer	8
4 1/4 x 3/4" Flat Washer	4
5 1/4 x 3/4" Hex Button Head Bolt	4
6 L Bracket (18x20x20)	2
7 Allen Key	1
8 17/16mm Dia x 10mm Wood Plugs	4
9 Plastic Nailhead Feet (Extra)	4

Scan me!

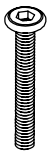
Free Lifetime
Warranty



The goods



1



2



3



4



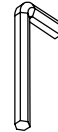
5



6



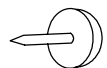
7



8



9

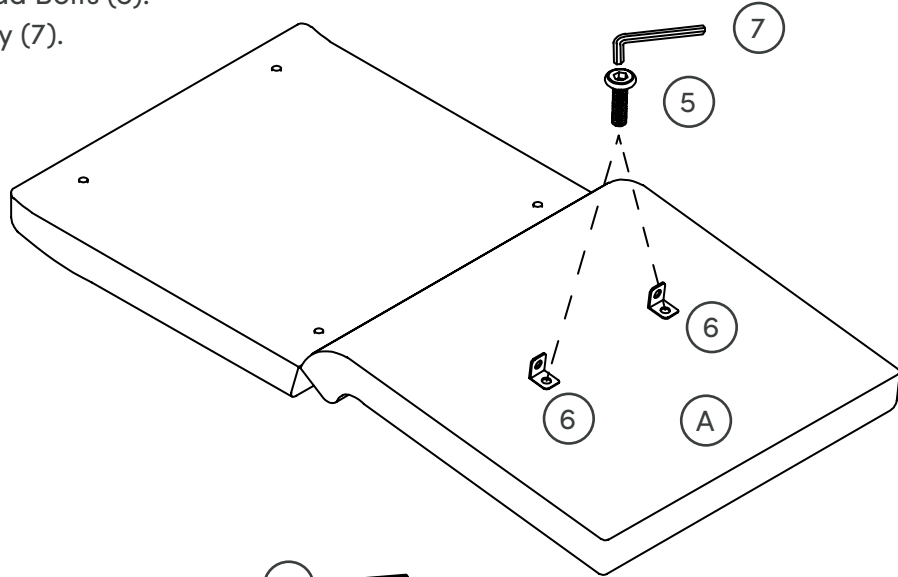


IMPORTANT

1. Do not tighten bolts / screws completely until all bolts / screws are lined up and inserted into holes.
2. Do not over tighten screws and bolts to avoid stripping.
3. Please use hand tools to assemble this product. Do not use power tools.

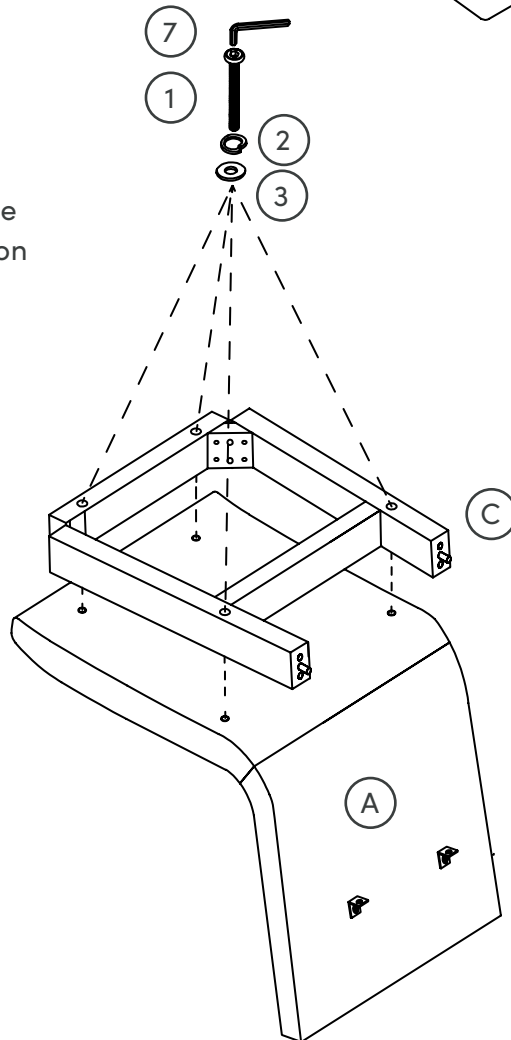
Step 1

Let's get this thing fired up! Secure the L Bracket (6) to Seat Cushion (A) with 1/4 x 3/4" Hex Button Head Bolts (5). Tighten with the Allen Key (7).



Step 2

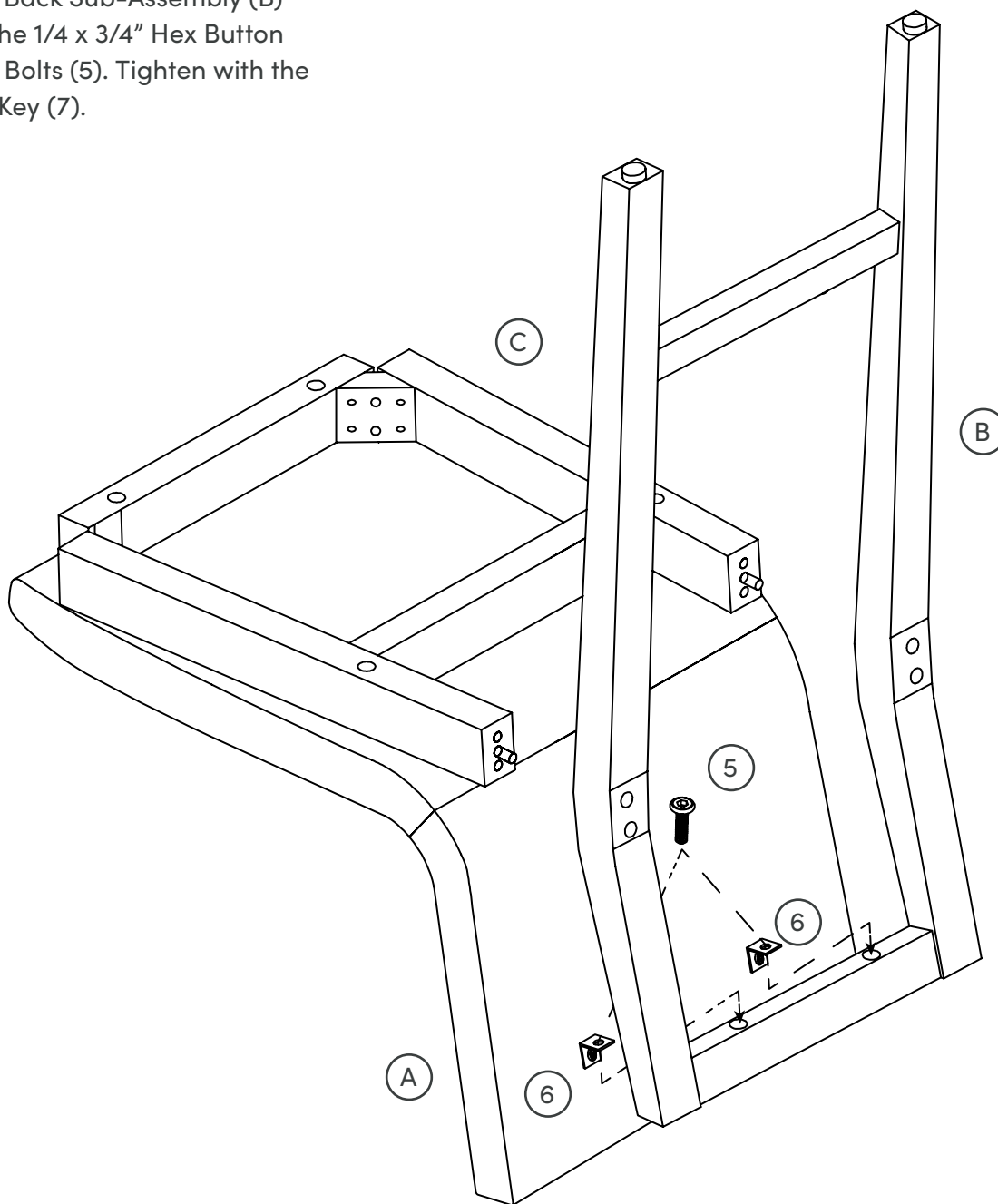
It's as easy as it looks! Secure the Seat Cushion (A) to the Seat Frame (C) using the 1/4 x 2 3/8" Hex Button Head Bolts (1). Tighten using the Allen Key (7).



Step 3

You're within minutes of pressing play on Netflix!

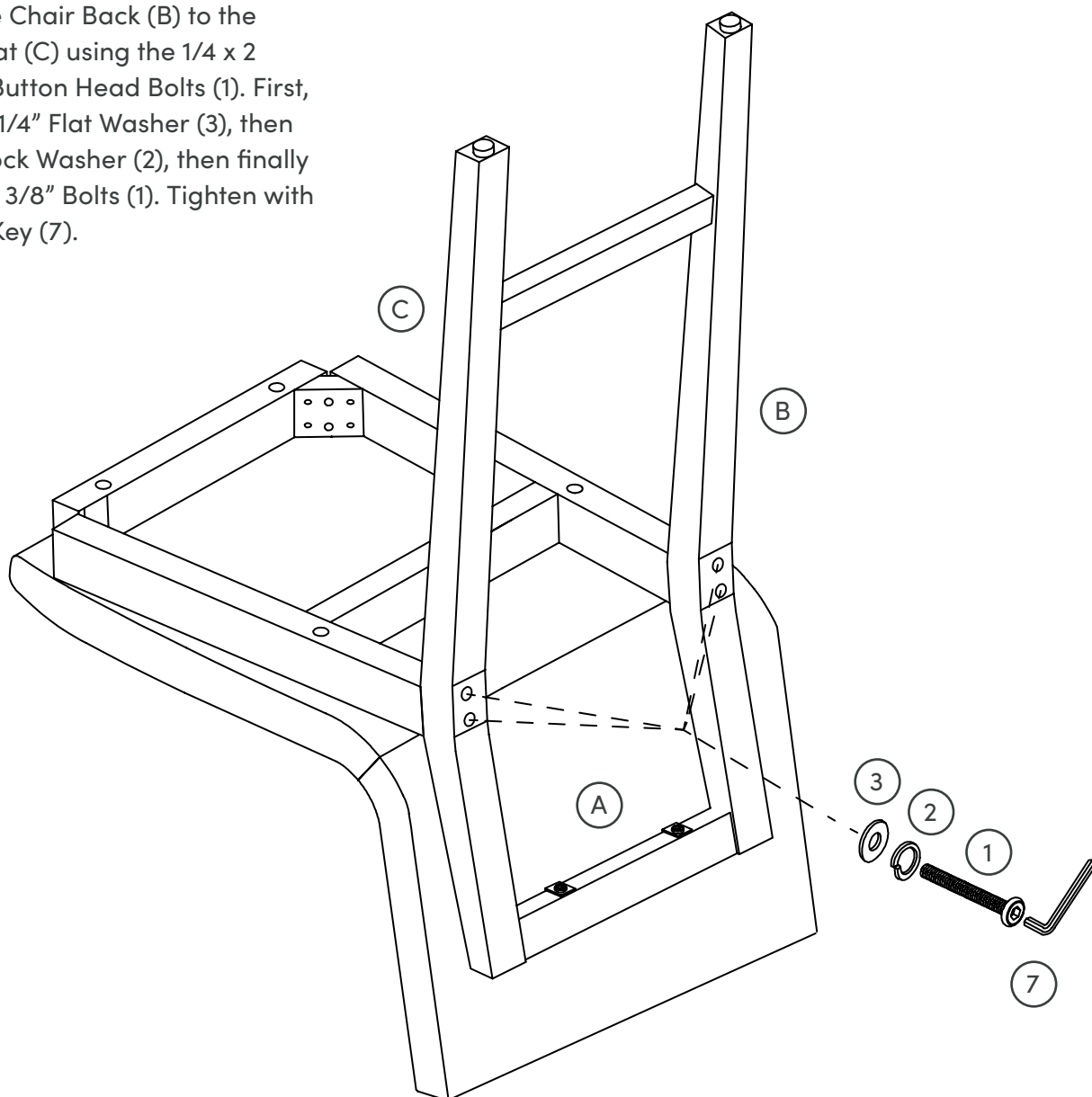
Secure the L Brackets (6) to the Chair Back Sub-Assembly (B) with the 1/4 x 3/4" Hex Button Head Bolts (5). Tighten with the Allen Key (7).



Step 4

Now take a moment to match the sticker on the bottom of the Chair Back (B) with the sticker on the corner block.

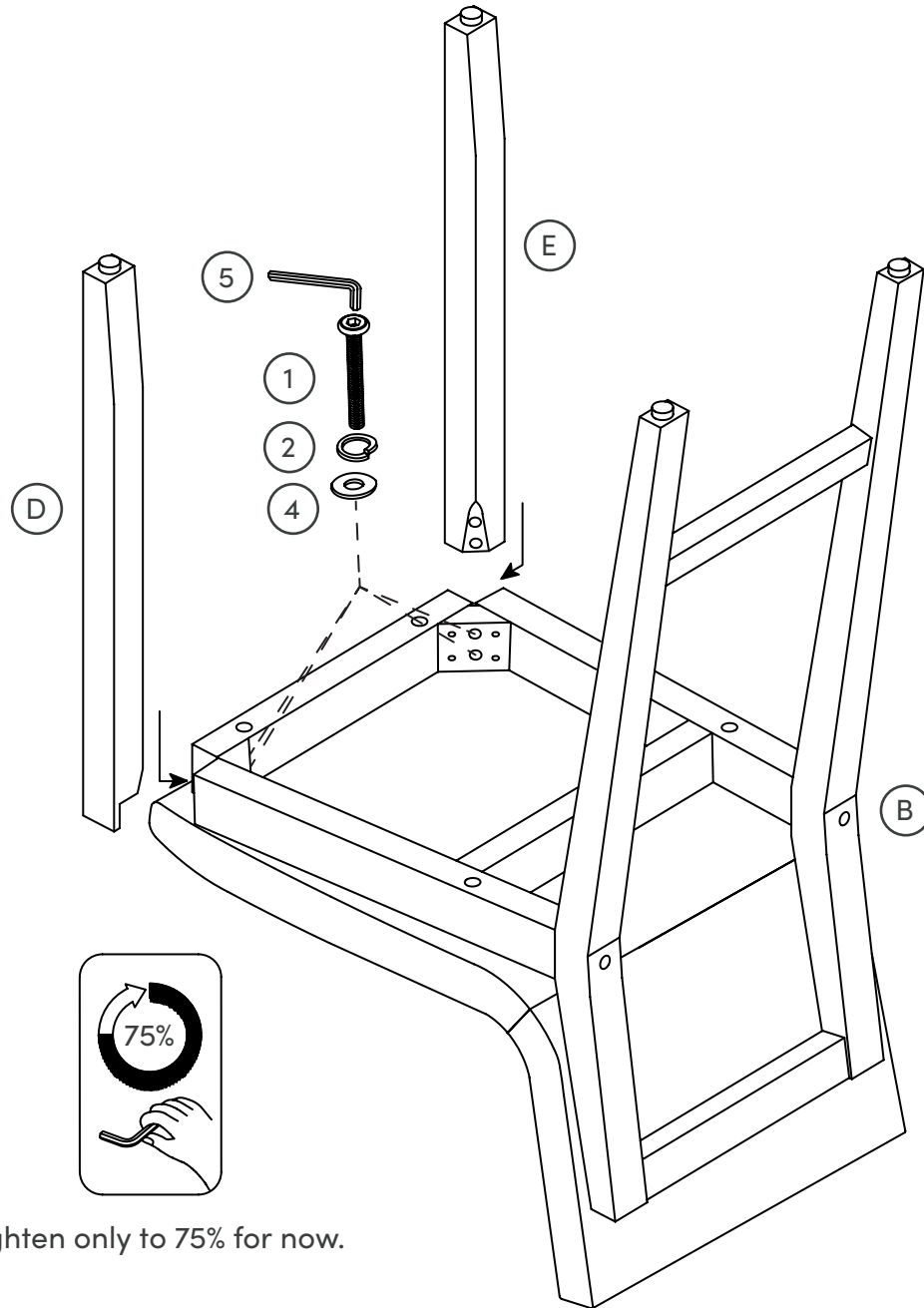
Attach the Chair Back (B) to the Frame Seat (C) using the 1/4 x 2 3/8" Hex Button Head Bolts (1). First, place the 1/4" Flat Washer (3), then the 1/4" Lock Washer (2), then finally the 1/4 x 2 3/8" Bolts (1). Tighten with the Allen Key (7).



Step 5

You know what they say, never skip leg day! Let's secure those Legs (D)(E) in place.

Consider this your workout of the day.

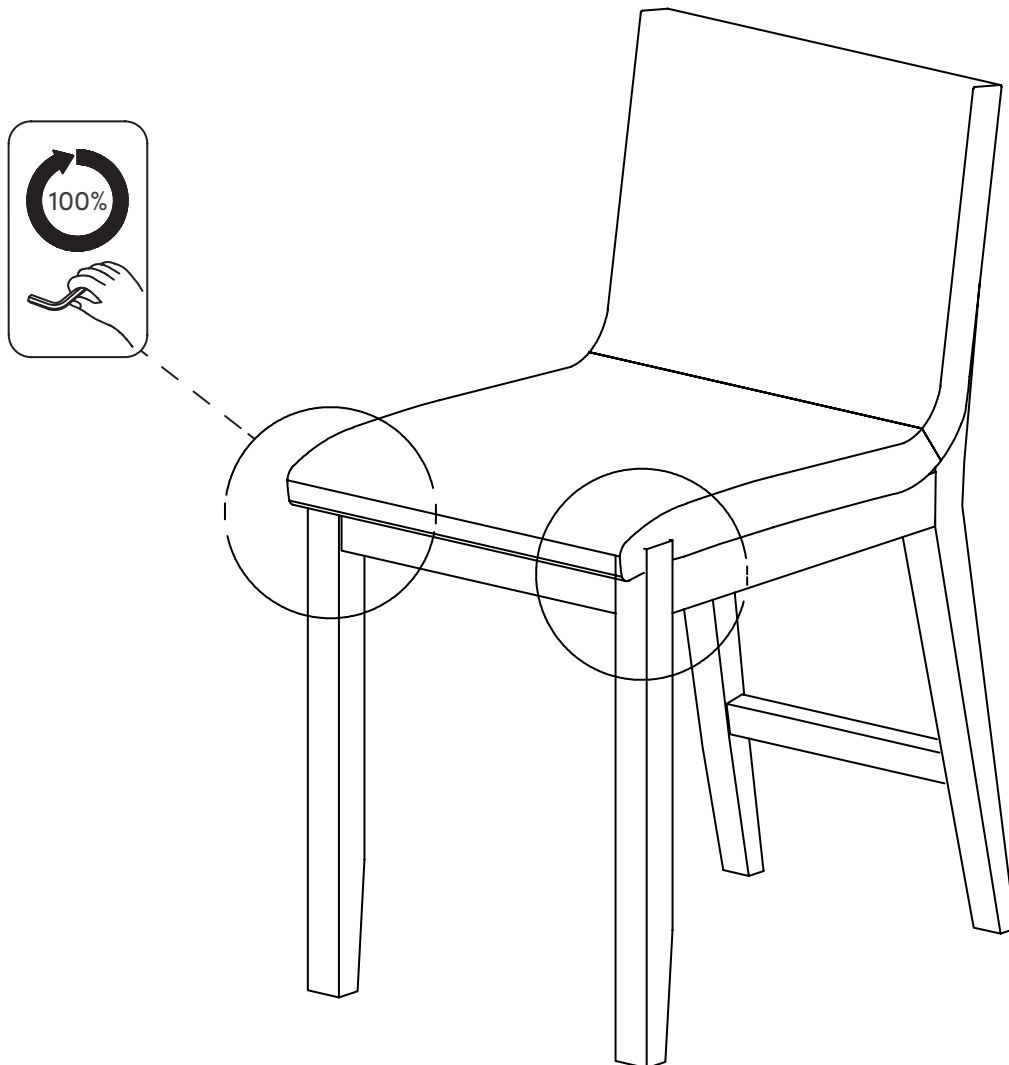


Tighten only to 75% for now.

Step 6

Now flip the stool over on a flat surface and make sure all of the legs are touching the ground before tightening everything to 100%.

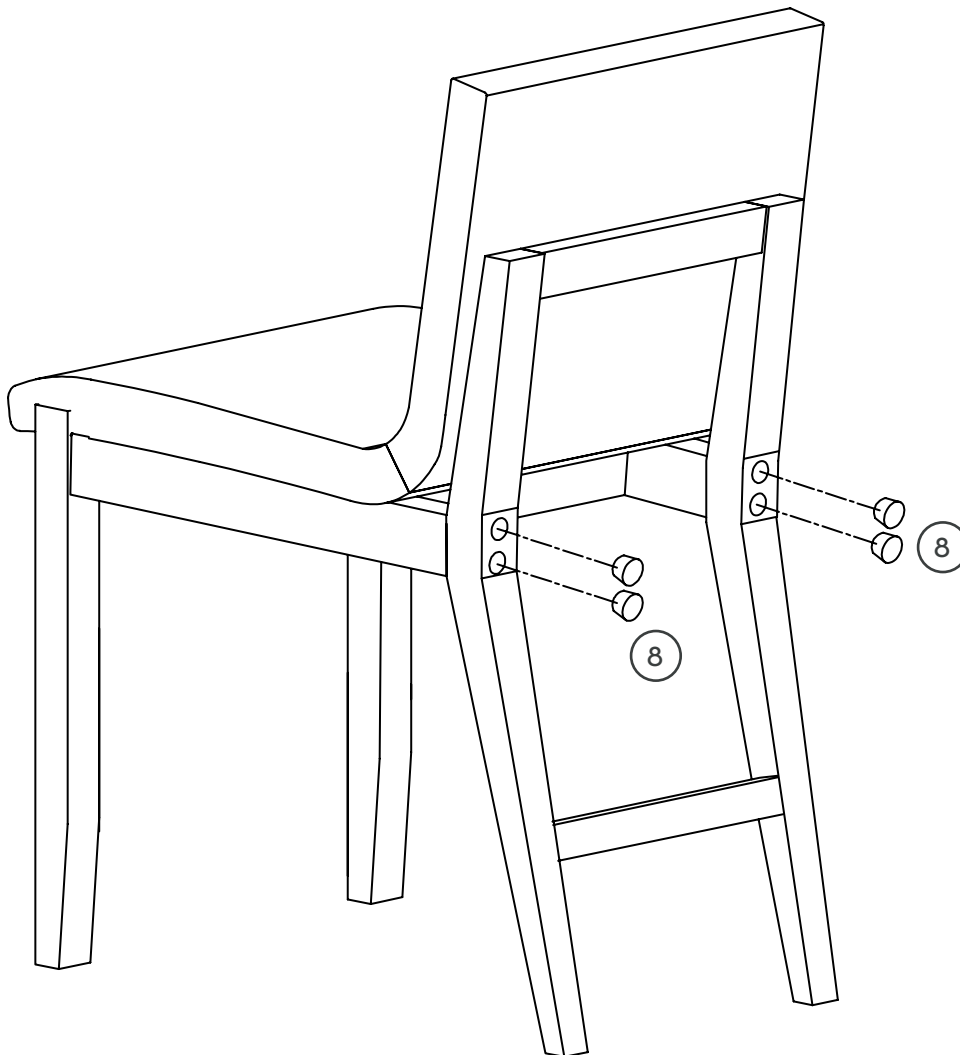
We told you this was going to be easy!



Step 7

You made it to the last step! Insert the Wood Plugs (8) into the holes in the back of the stool.

Last but not least, time to order a pizza and enjoy your new chair!



No heartburn, when we handle the return

Give us a call **1-866-619-1004** or shoot us a message at **help@nathanjames.com** we will issue you a free replacement with **zero hassle**.

Our way



Give us a call



Replacement



You

Their way



Re-package item



Schedule pick up



Track package



Replacement



You

We really don't want you to go through the hassle of re-packaging your item and sending it back, because let's be honest...nobody has time for that.

Safety first, fun later

We want your product to last as long as possible, so we recommend that you tighten the screws 2 weeks after assembly and for added safety check the tightness of all screws every 2 months.

For proper care and treatment, please check our website at NathanJames.com/products

Safe use of this product starts with you.

Use this product responsibly with the primary concern for your safety. Follow assembly instructions carefully and inspect product upon receipt and each use.

Nathan James and its parent companies cannot be held legally responsible for any injuries or death resulted from failure to follow instructions or improper use of this product.

Do not modify the structure of this product in any way.

Our products have been tested to meet specific safety measures as they were originally intended to be sold. Any modifications will present the risk of creating significant safety issues which NJ will not be responsible for.

Proper use

- DO NOT** use for commercial purposes
- DO NOT** frolic on chair
- DO NOT** use chair as a foot stool
- DO NOT** leave spilled liquid on seat
- DO NOT** use chair if damaged
- DO NOT** make temporary repairs
- DO NOT** use outdoors

We are only in business if you're happy

For starters, thanks for being you.

☎ Toll-free at 1-866-619-1004

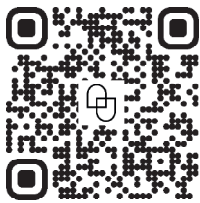
✉ Help@nathanjames.com

🌐 NathanJames.com/help

We do our best to ensure your furniture arrives without any problems, but occasionally mistakes happen—as humans we are imperfect beings. In the event that a part is damaged or missing, we will be more than happy to provide you with replacement part(s) for free.

Warranty

This product comes with a lifetime warranty from the date of purchase. Please use your phone to scan the QR code to register your product or visit <https://goo.gl/i9dk3q>



Did we do alright? Please spread the love!

If you are happy with your product, tell your friends and family about us or even better leave us a review online. Spreading the word gives us the opportunity to make more people happy and keep our prices low for your next purchase.

Brooklyn Burden

Founder, Nathan James