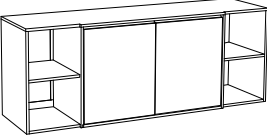





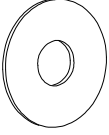
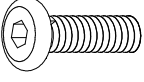
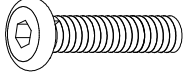



Sideboard and Hutch Assembly Instruction

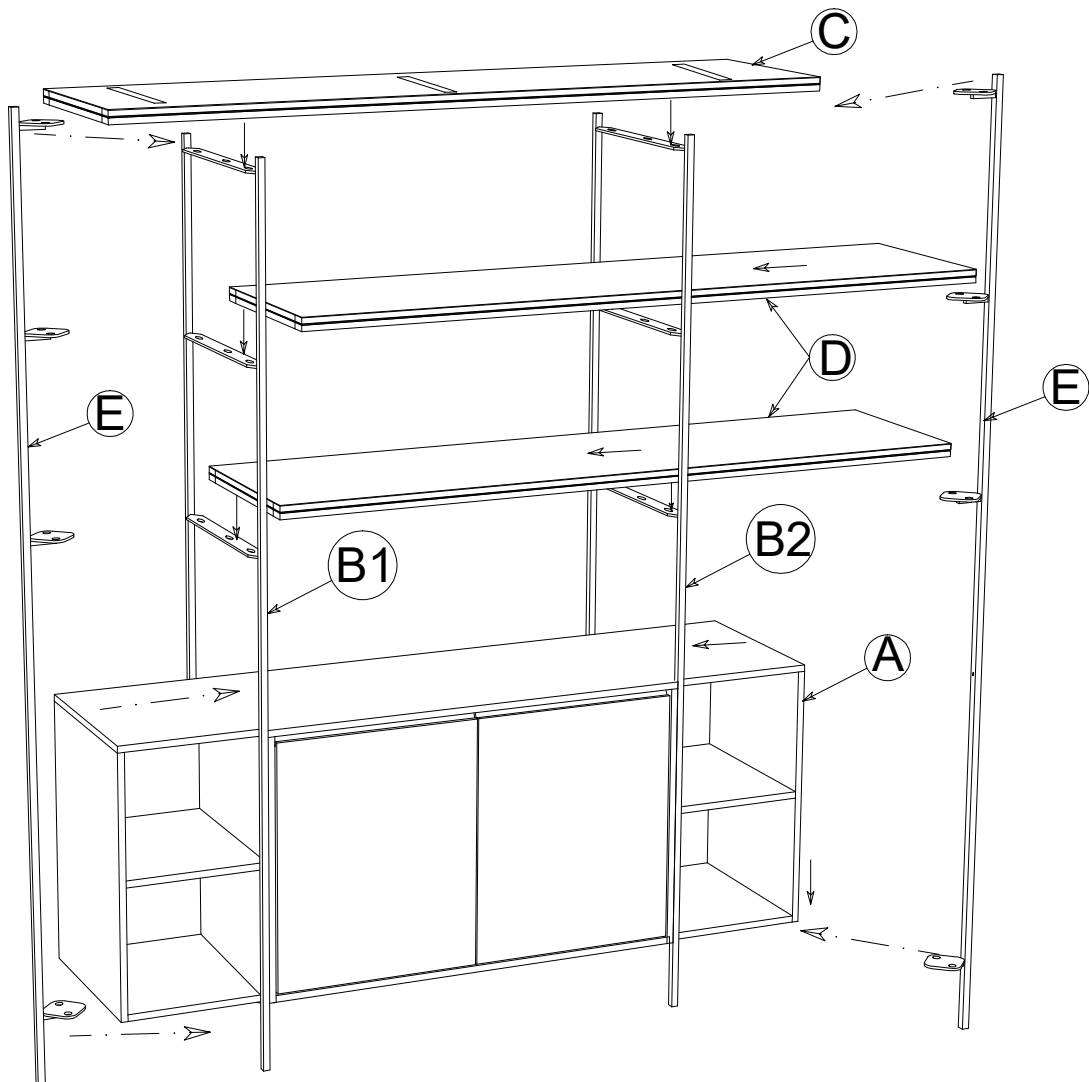
Component list:

A	B1	B2	C Top shelf	D Mid shelf	E
					
X1	X1	X1	X1	X2	x2

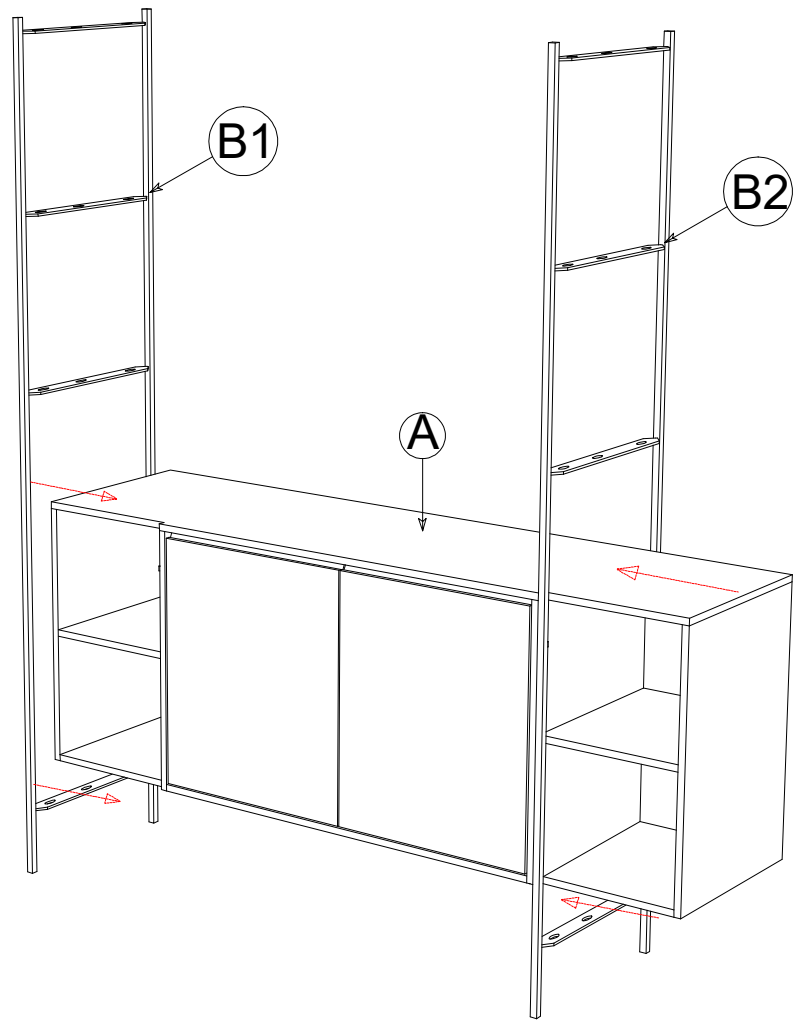
Hardware list:

F Washer	G Small Allen Bolt	H Large Allen Bolt	I Allenkey
			
8x22 mm X46	6x20 mm X44	6x25 mm X2	X1

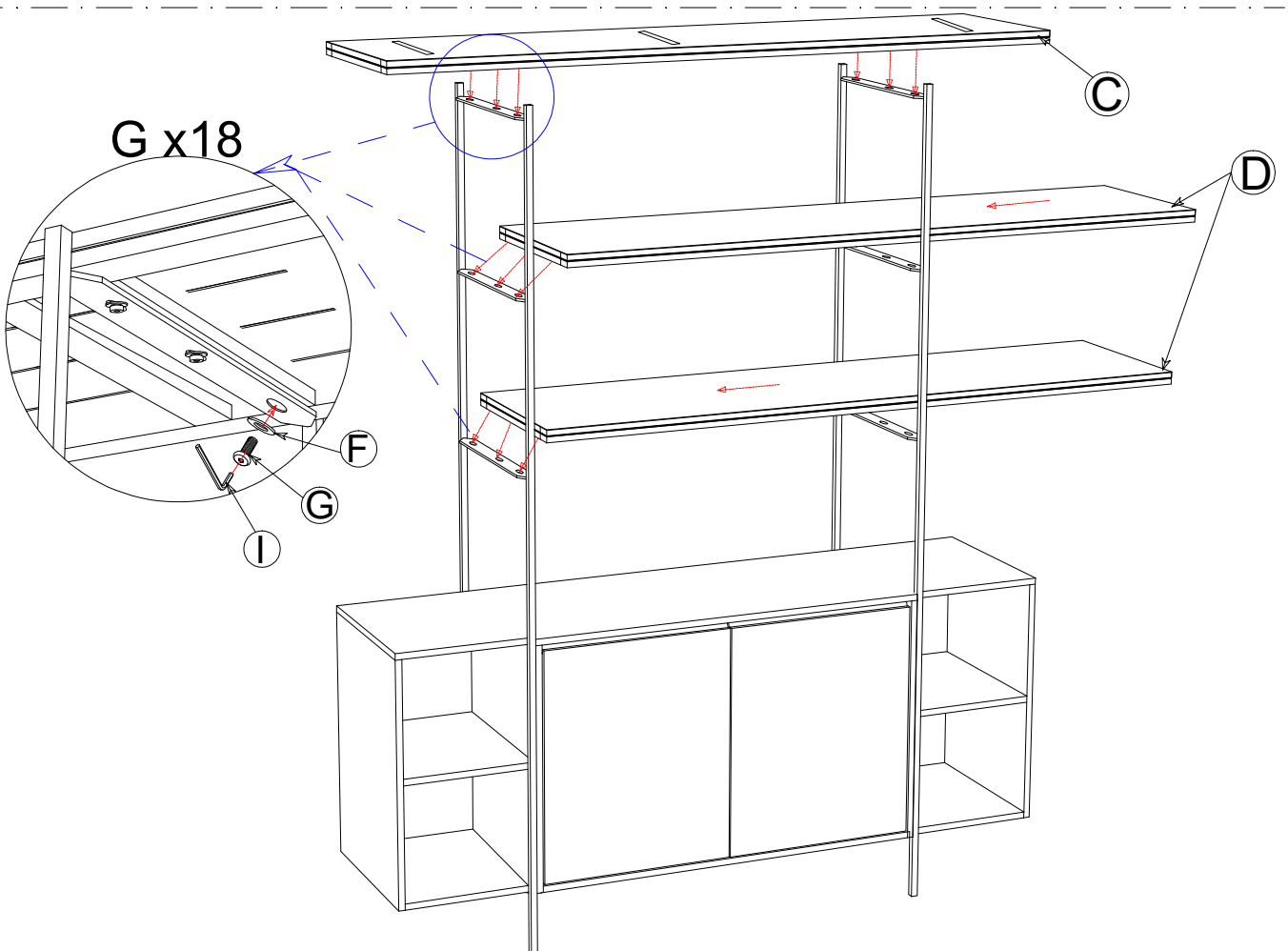
Bookshelf Exploded Views



1

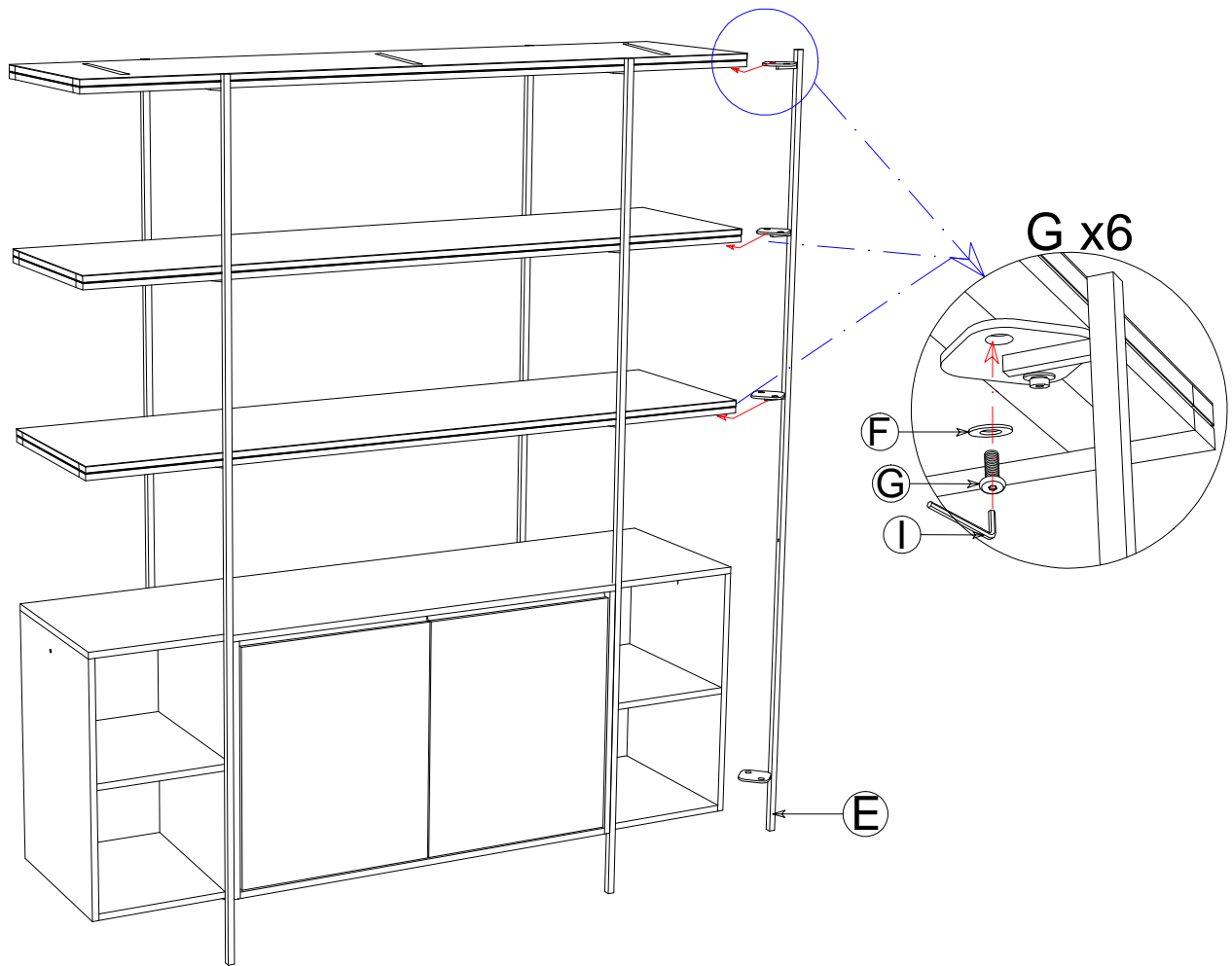


2

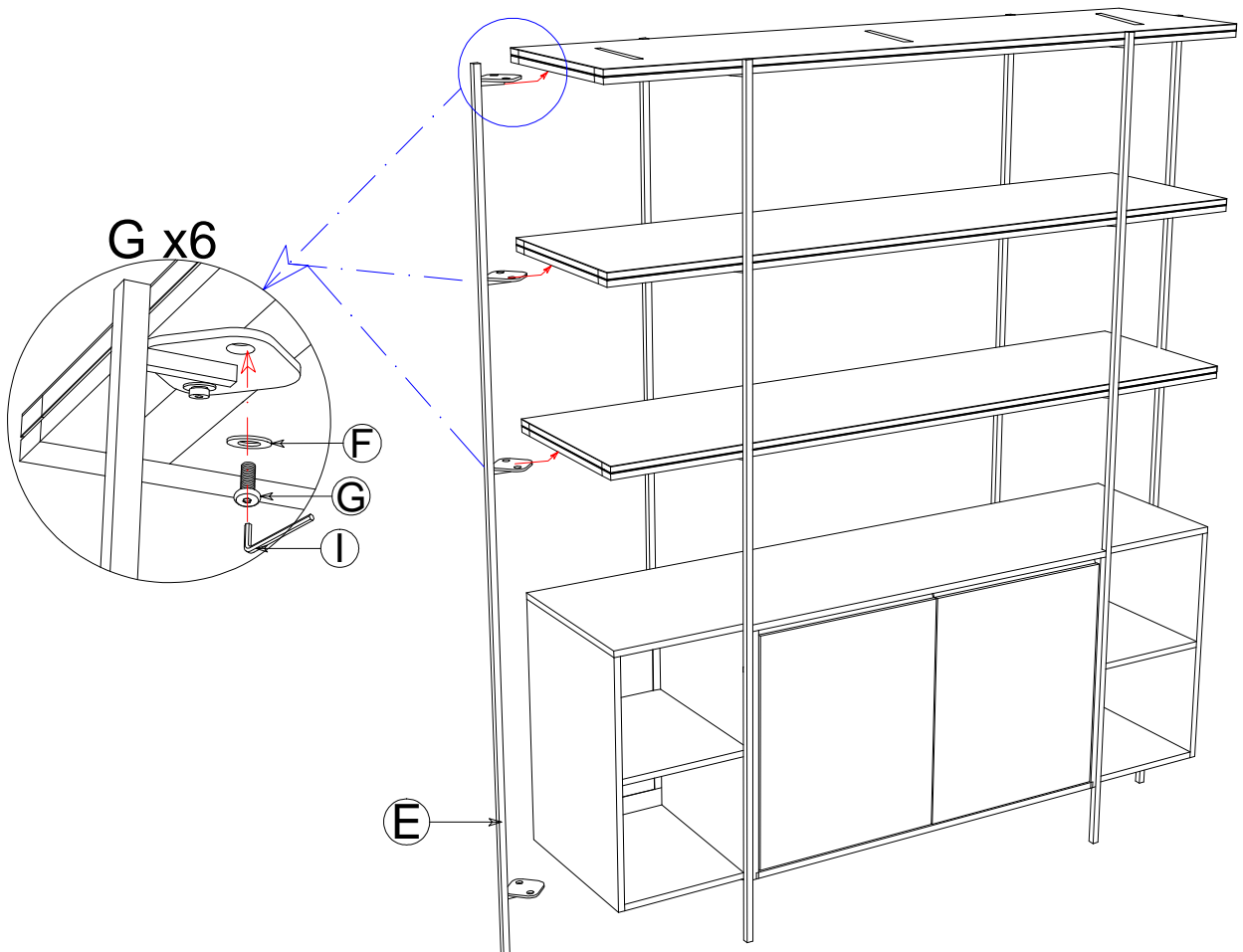


CAUTION : Please slight stretch the metal pipes to align the holes and should be half tighten all the bolts initially.

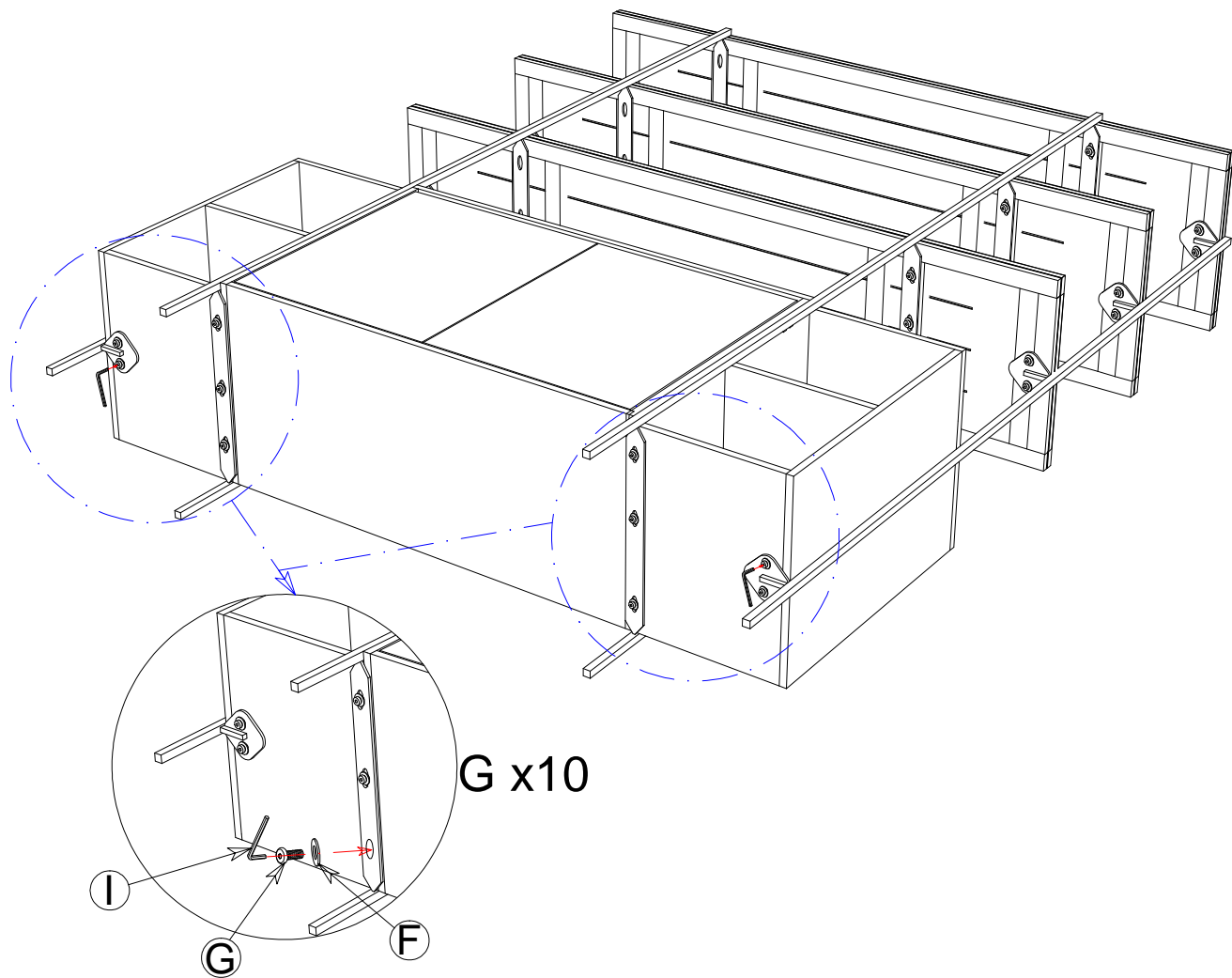
3



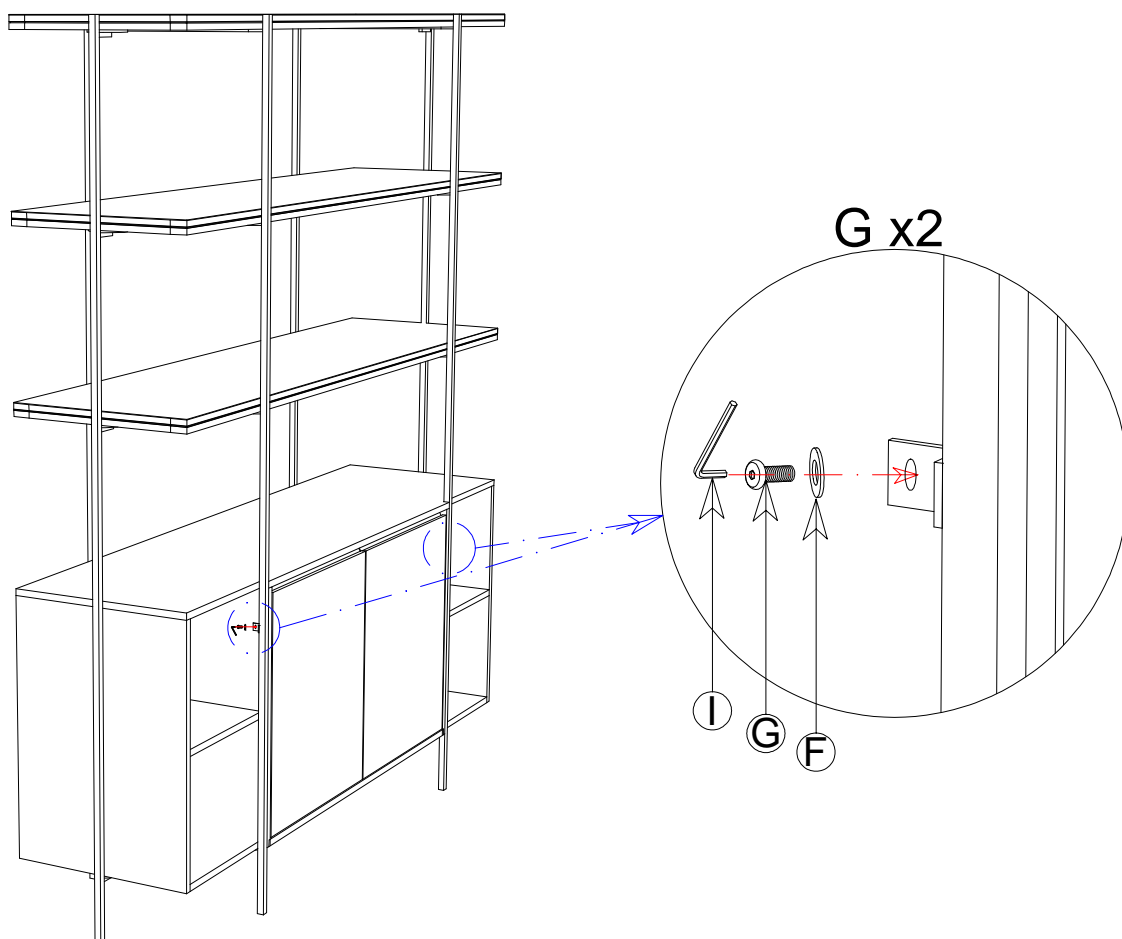
4



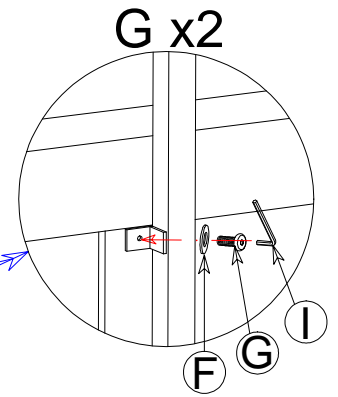
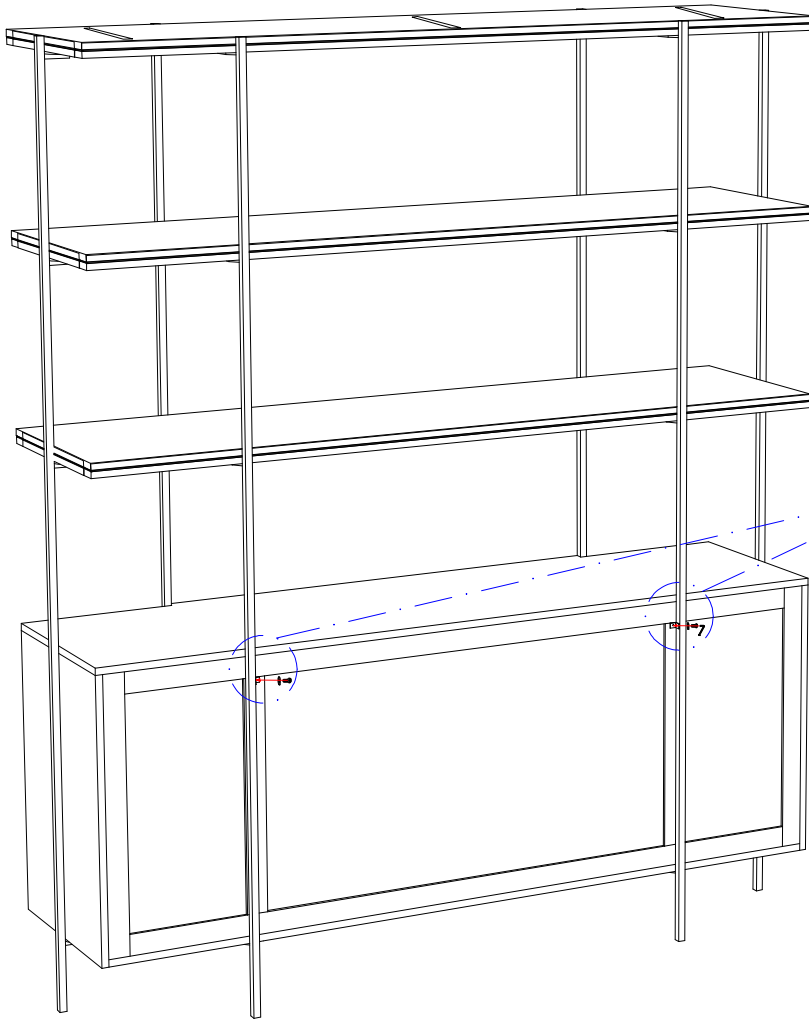
5



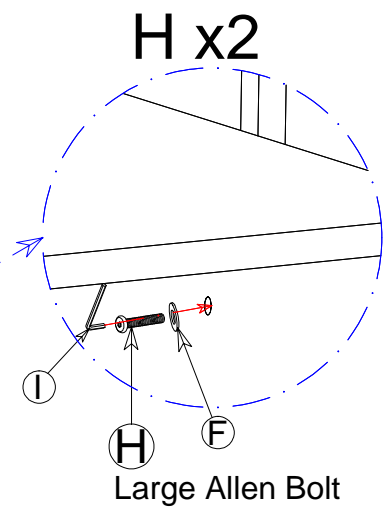
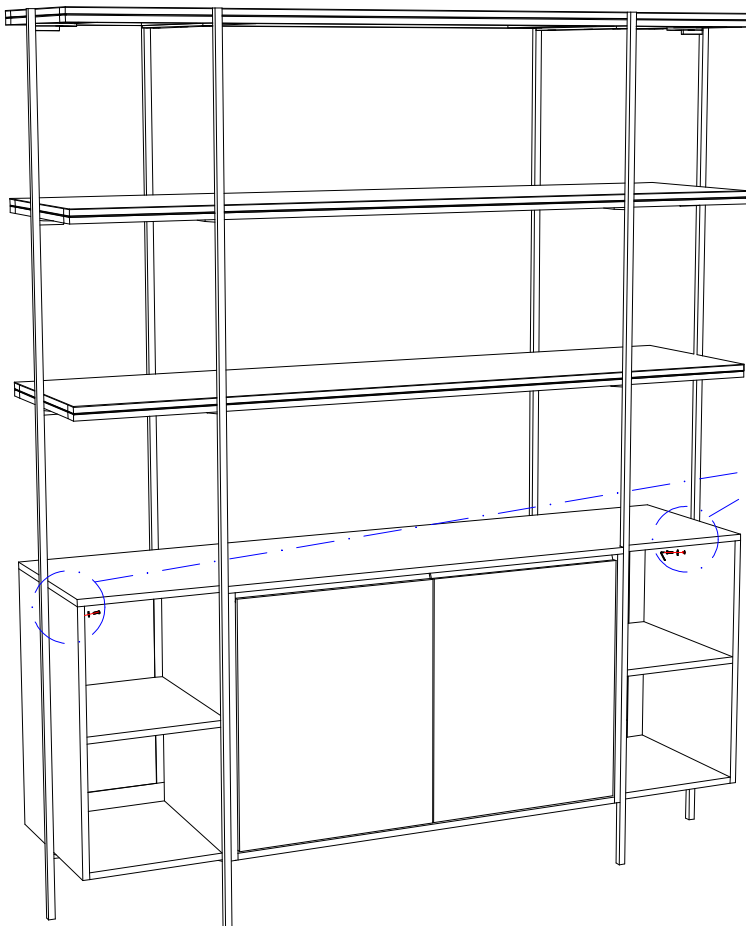
6



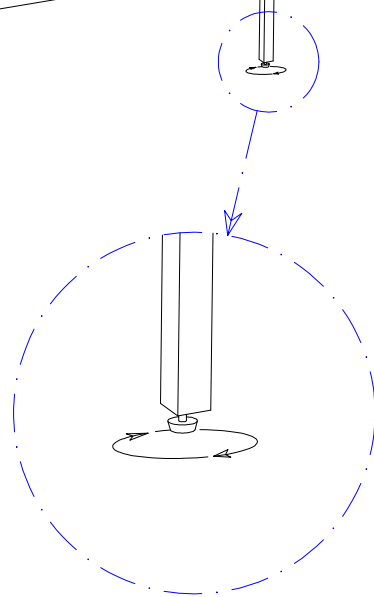
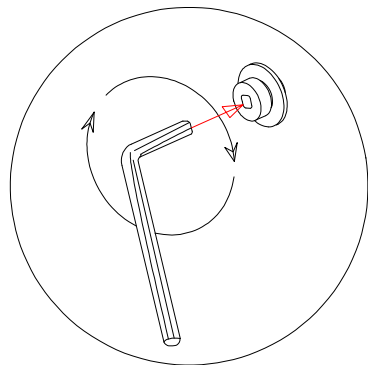
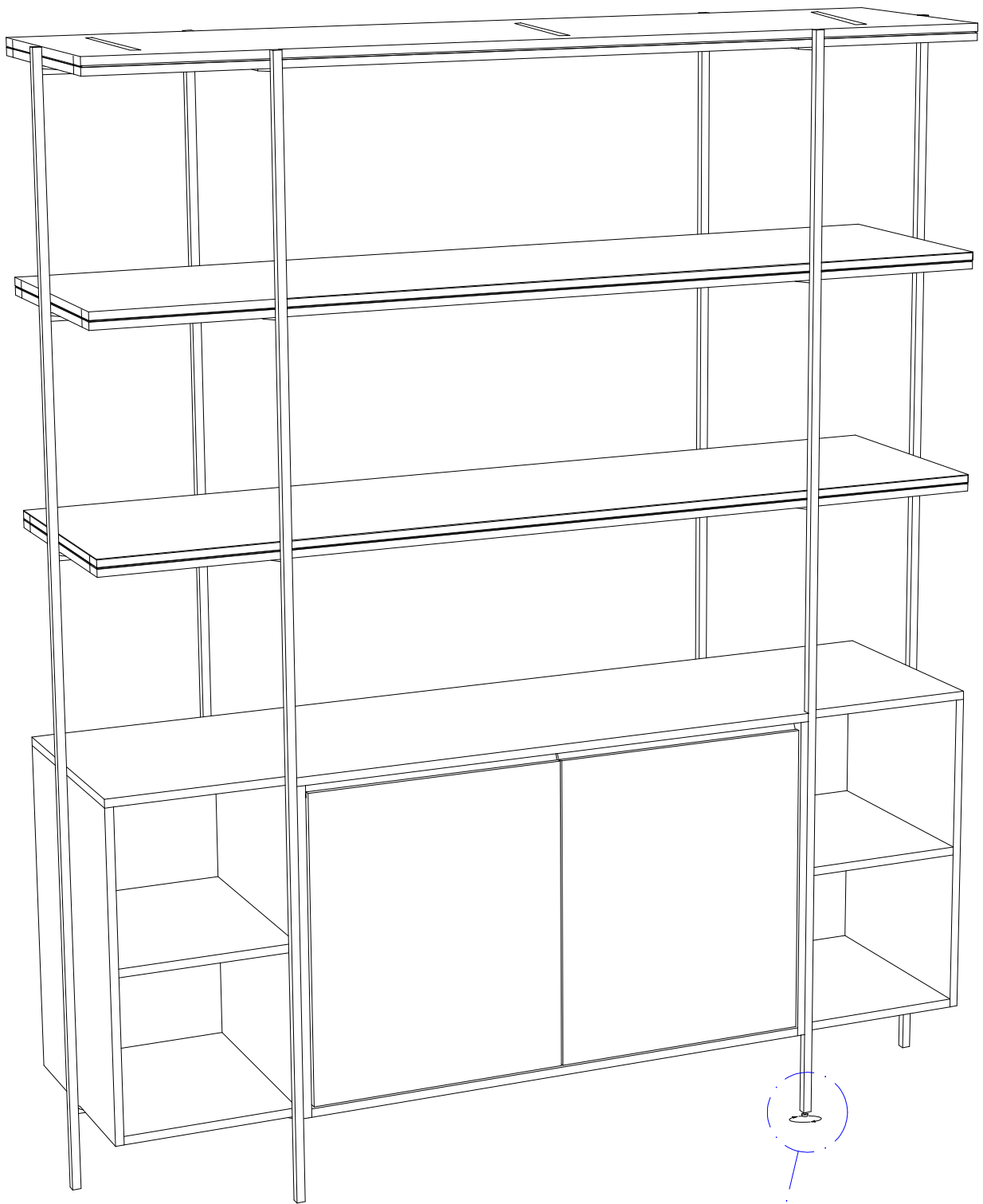
7



8



9



CAUTION : Please all allen bolts tightened fully.
And Adjustable floor leveler.