
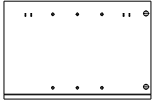
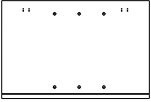
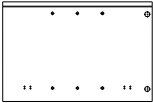
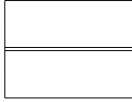


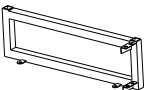
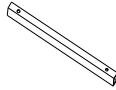
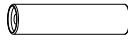

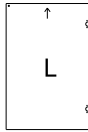

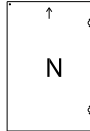
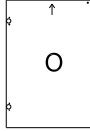


ASSEMBLY INSTRUCTION

Thank you for purchasing this quality product. Be sure to check all packing material carefully for small parts which may have come loose inside the carton during shipment. Separate, identify and count all parts and metal hardware. Compare with parts list to be sure all parts are present. If any part(s) are missing or damaged, please contact your local furniture dealer. For efficient and speedy service, please indicate the model number and code letter of part(s) needed.

*****Do not fully tighten screws until fully assembled*****

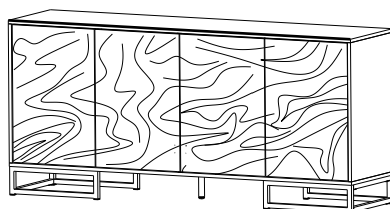
COMPONENT PARTS		
DESCRIPTION	PART NAME	Q'TY (PCS)
(A)	TOP BOARD 	1
(B)	LEFT BOARD 	1
(C)	MIDDLE BOARD 	1
(D)	RIGHT BOARD 	1
(E)	BACK BOARD 	2
(F)	BOTTOM BOARD 	1
(G)	PANEL- G 	2
(H)	PANEL-H 	2

Ⓘ	STRETCHER		4
Ⓙ	SUPPORT		1
Ⓚ	SHELF BOARD		2
Ⓛ	LEFT DOOR -L		1
Ⓜ	MIDDLE DOOR-M		1
Ⓝ	MIDDLE DOOR- N		1
Ⓞ	RIGHT DOOR		1

HARDWARE REQUIRED

①		CAM BOLT	6 x 38mm	6 PCS
②		WOOD DOWEL	8 x 30mm	12 PCS
③		CAM LOCK	15mm	6 PCS
④		SHELF HOLDER	5 x 15mm	8 PCS
⑤		SCREW	#3 x 1/2"	12 PCS
⑥		MAGNETIC PUSH-TO-CLOSE -A	73mm	4 PCS
⑦		MAGNETIC PUSH-TO-CLOSE -B	77mm	4 PCS

8		SCREW	8 x 2-1/4"	6 PCS
9		HOLDER		8 PCS
10		SCREW	2.8mm x 18mm	8 PCS
11		BOLT	1/4" x 1/2"	8 PCS
12		ALLEN WRENCH	1/4"	1 PC
13		END CAP	20mm	8 PCS
14		SCREW	8 x 5/8"	58 PCS
15		DOUBLE-HEADED BOLT	1/4" x 1-1/4"	1 PC
16		WASHER	32mm Φ	1 PC
17		LEVELER	1/4" x 1/2"	1 PC
18				4 PCS
19		WASHER	15mm	4 PCS
20				4 PCS
21		L BRACKET	25mm	4 PCS
22		WALL ANCHOR	26mm	2 PCS
23		SCREW	8 x 1-1/2"	2 PCS
24		PLASTIC STRAP	250mm	2 PCS

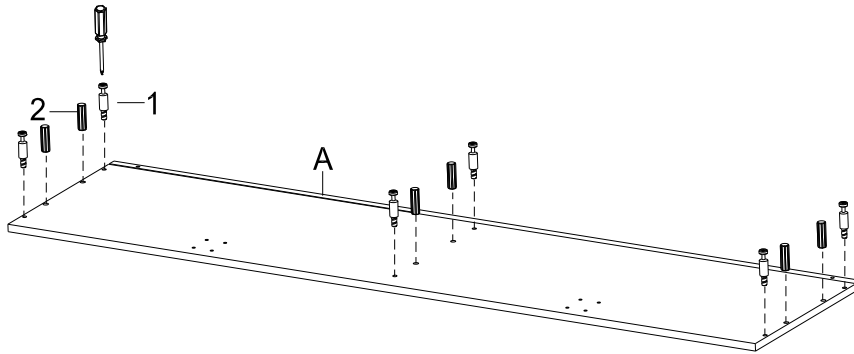


Attention

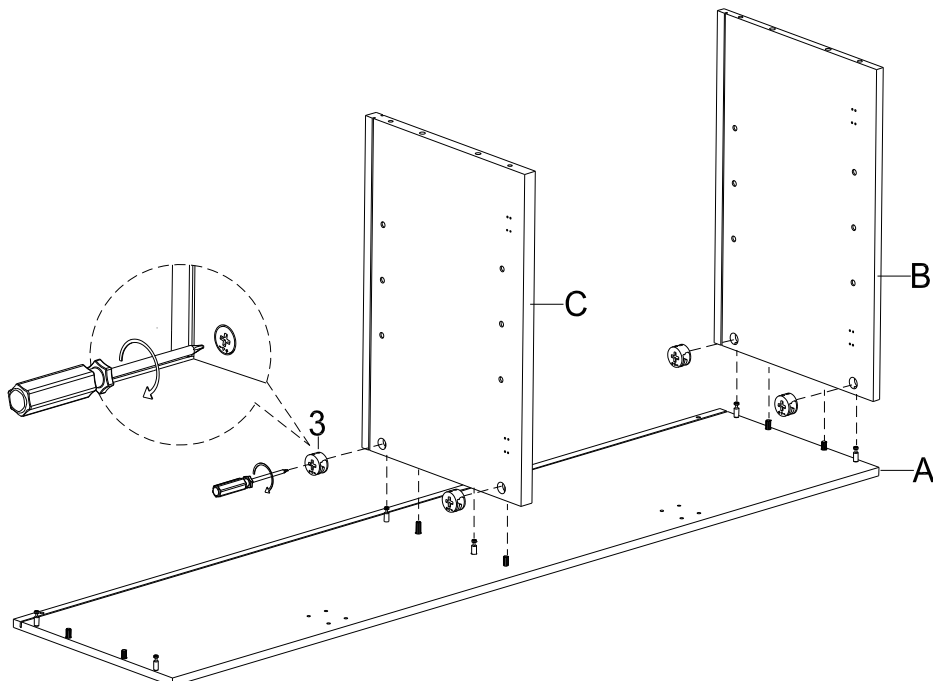
***Some number parts listed on the instruction sheet may not be in parts bag as they may be assembled.
Carefully check parts and packing materials prior to ordering replacements.

How to assemble:

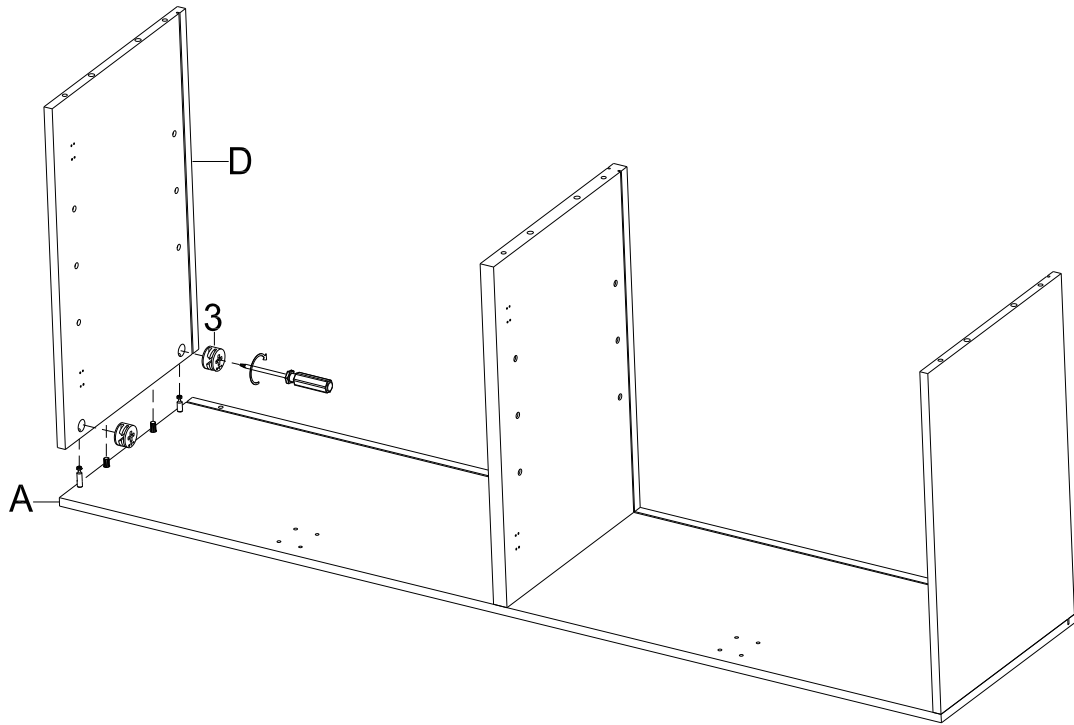
STEP 1



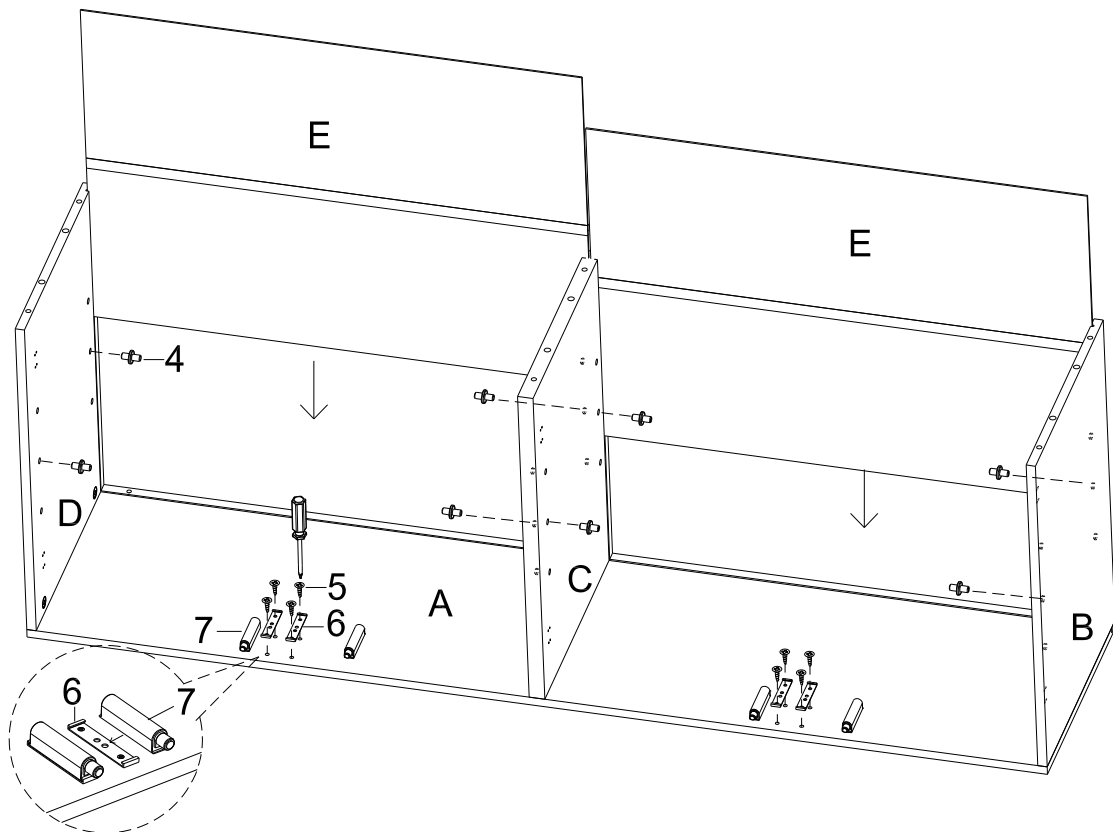
STEP 2



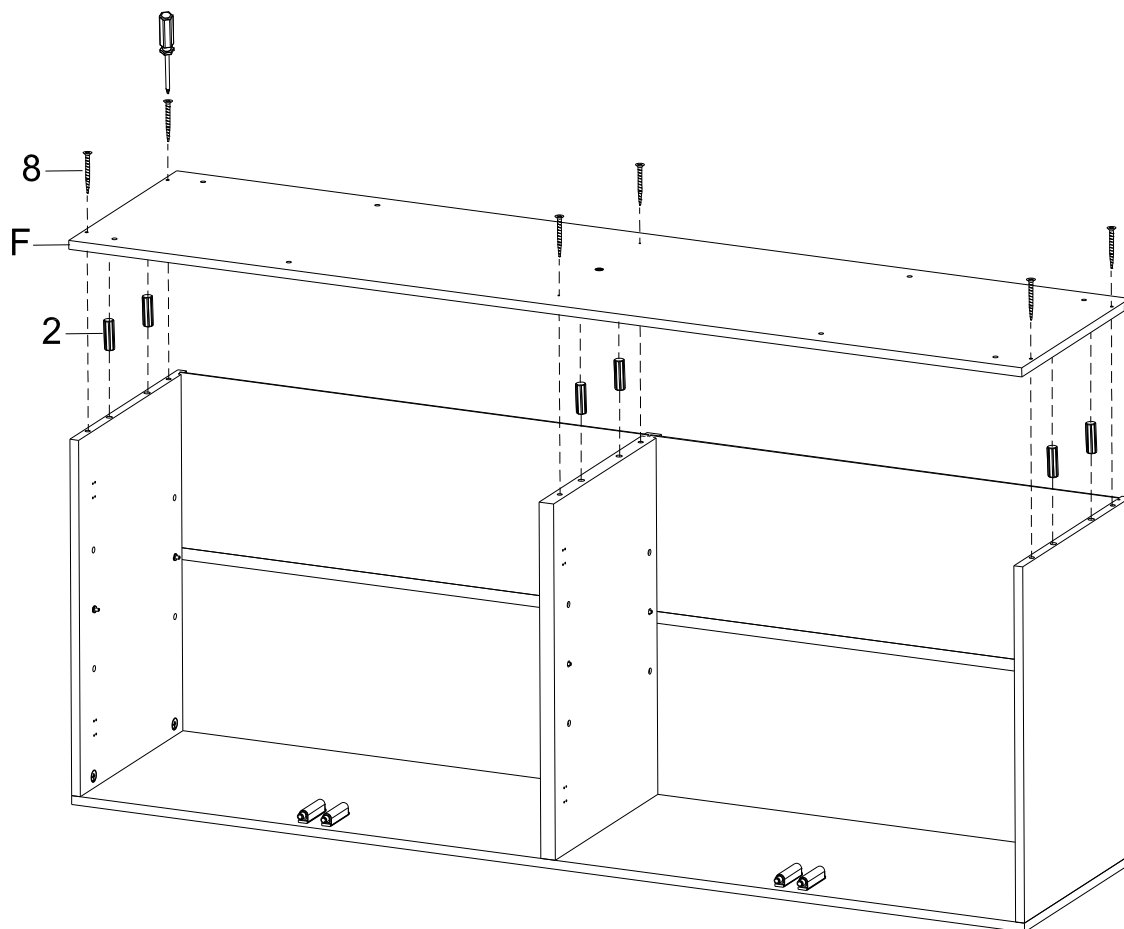
STEP 3



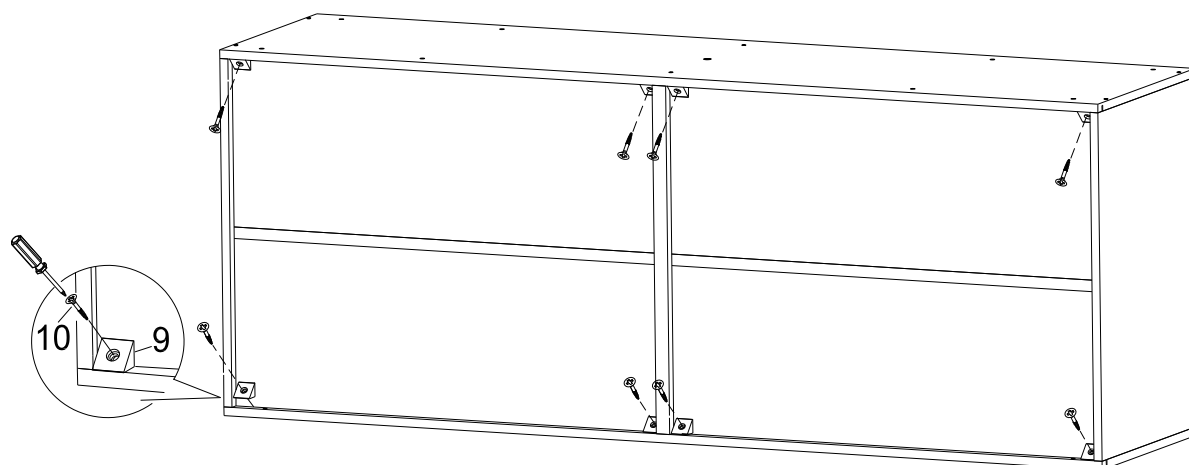
STEP 4



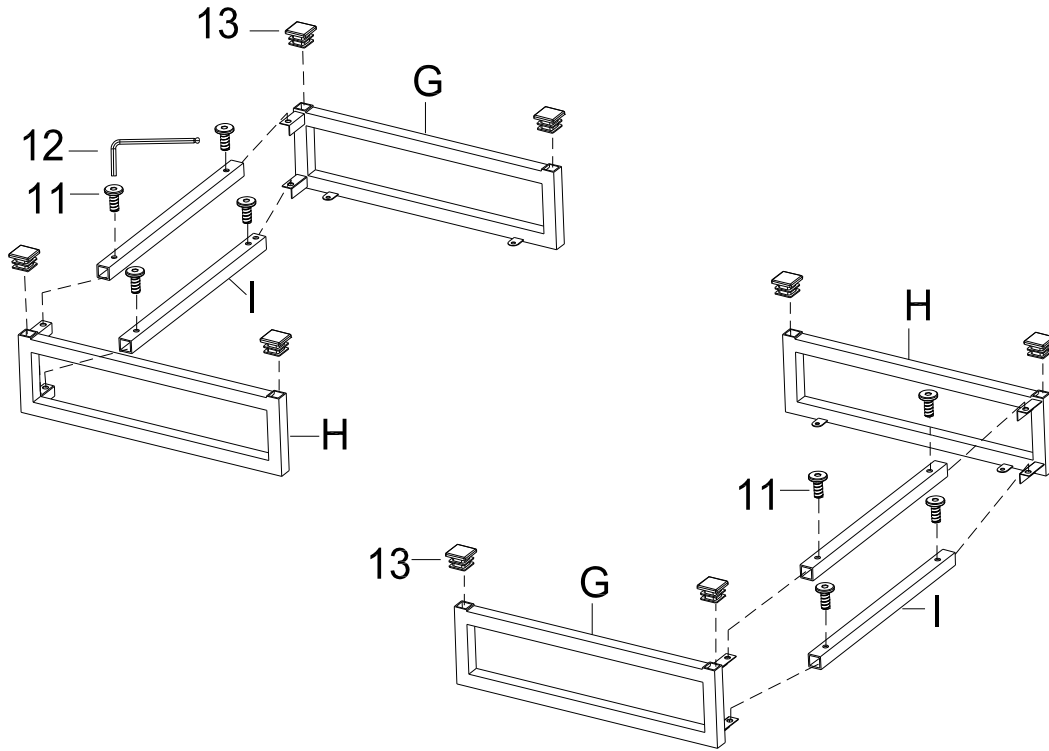
STEP 5



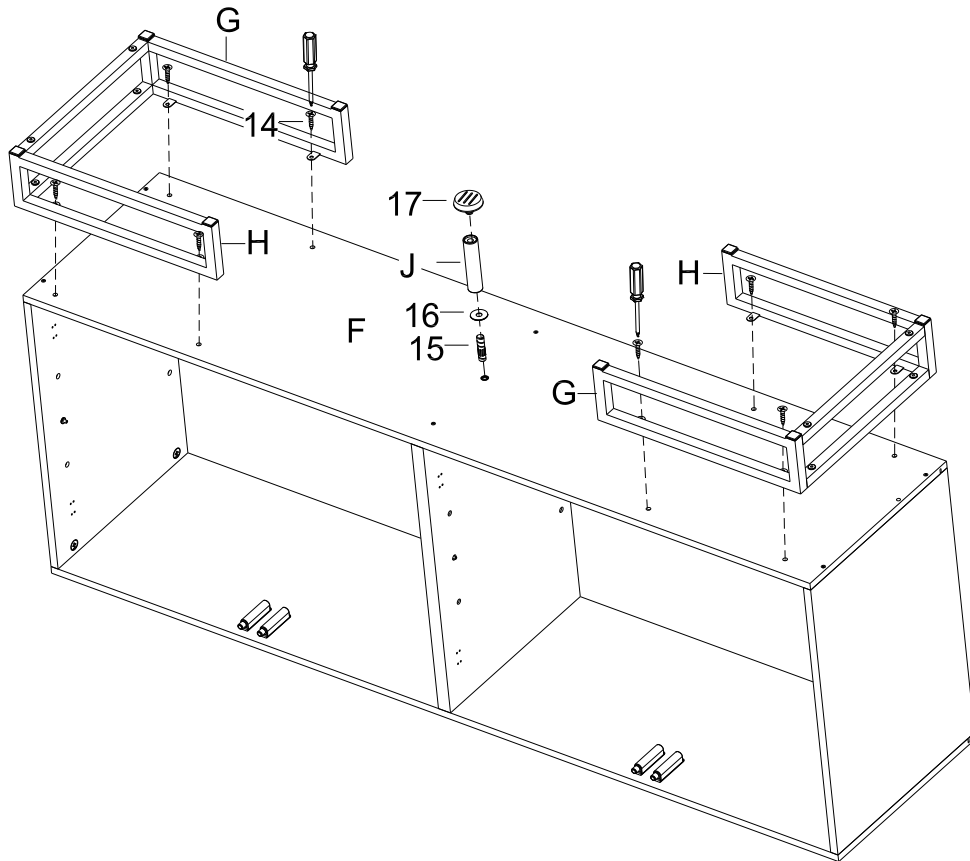
STEP 6



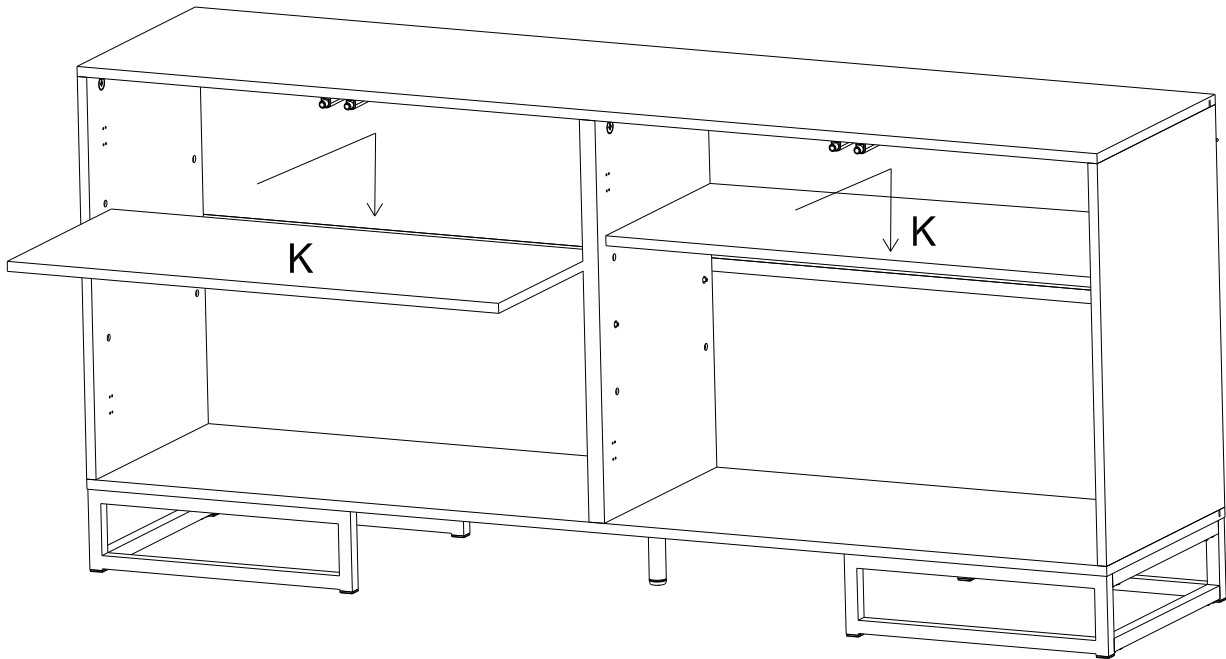
STEP 7



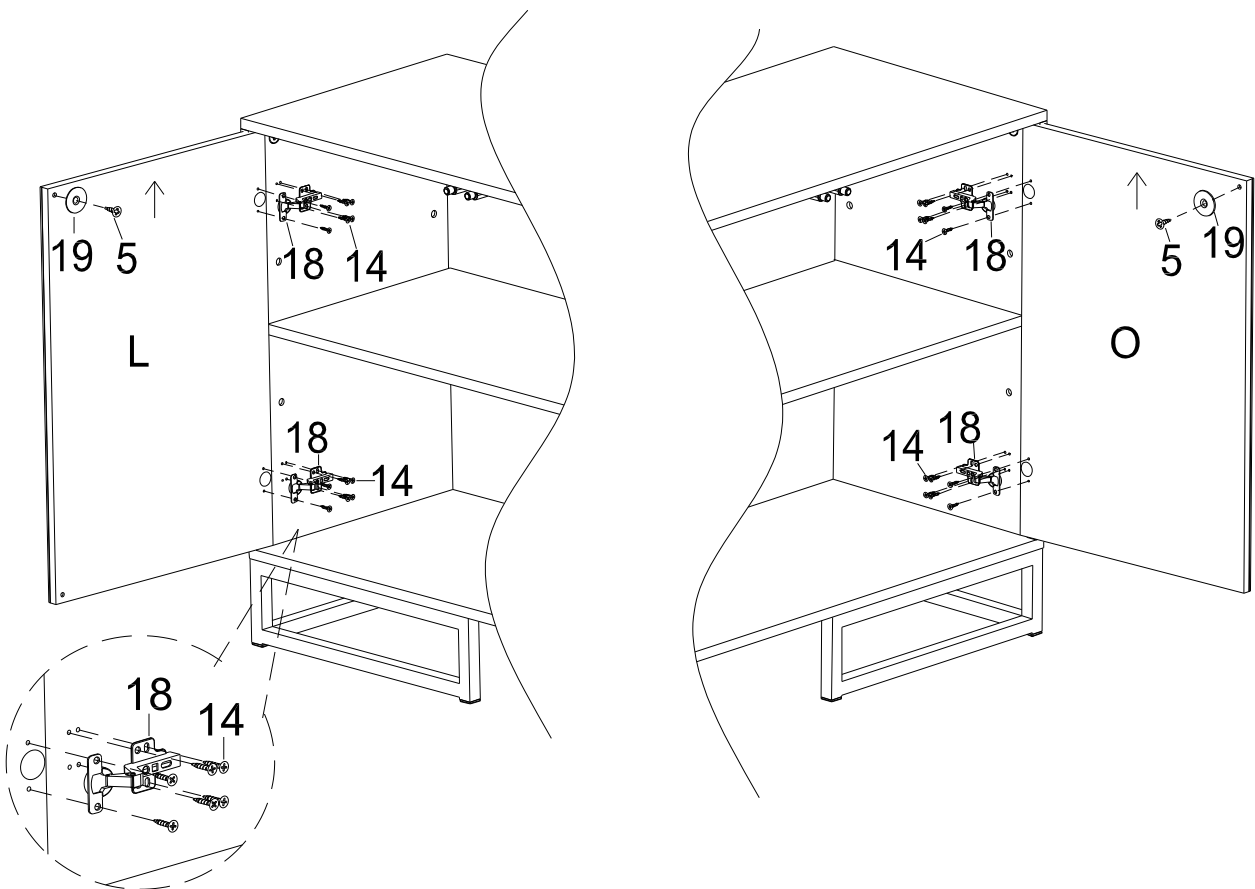
STEP 8



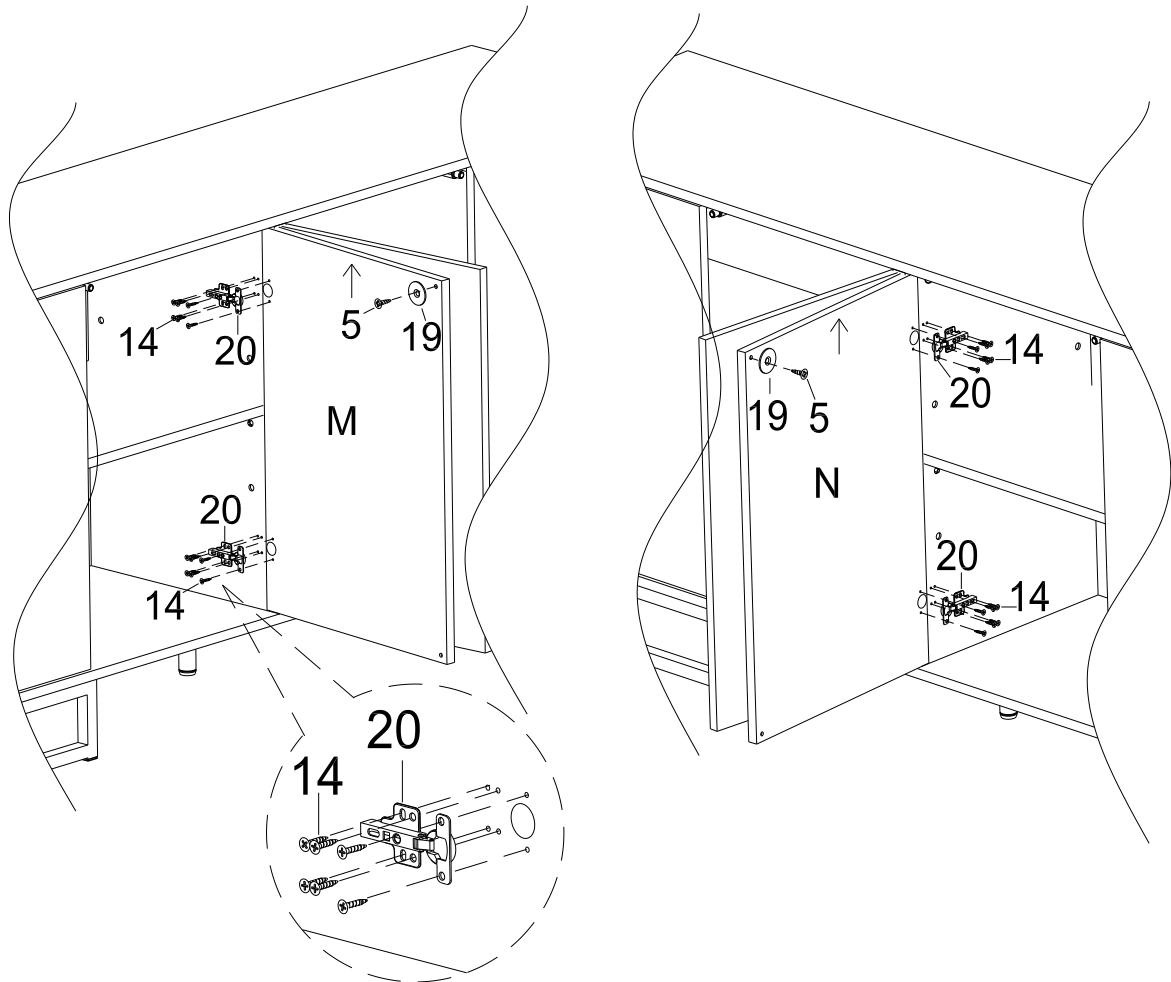
STEP 9



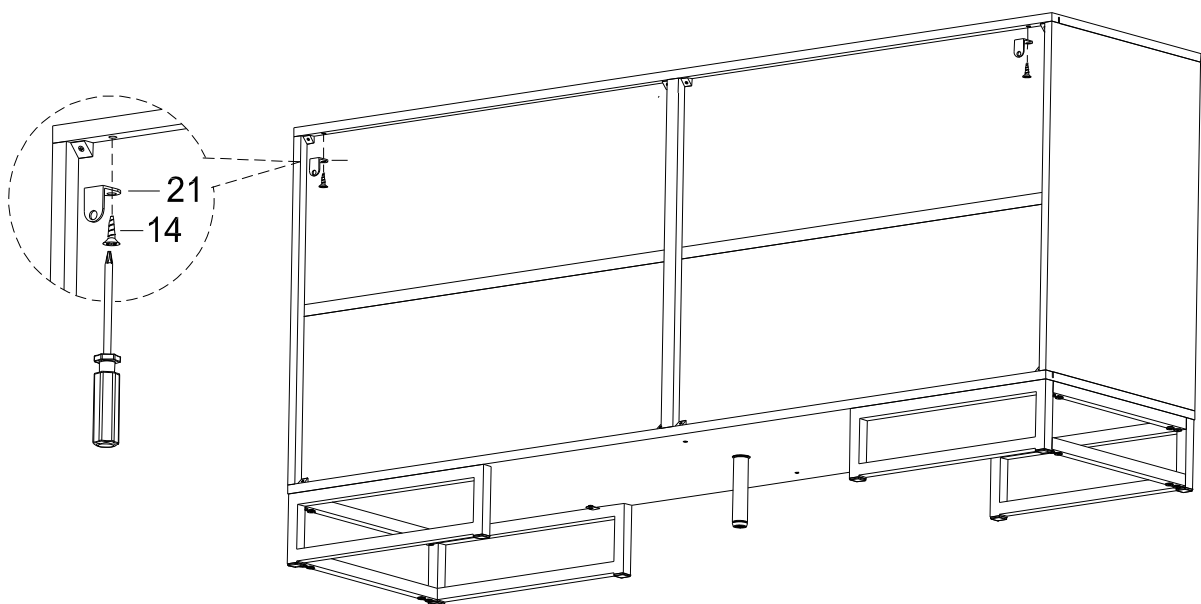
STEP 10



STEP 11



STEP 12



STEP 13

