



*Vallauris Outdoor Sofa*

# Assembly Instructions

---

{ INCLUDES IMPORTANT SAFETY INFORMATION.  
PLEASE READ AND KEEP FOR FUTURE REFERENCE. }

---

Should you prefer to  
speak with a customer  
service representative,  
you may call toll free :

**1-855-372-2315.**

---

## *Limited Warranty*

Millwork Holdings seating products are warranted against defects in material and workmanship while owned by the “Original Purchaser”. The term “Original Purchaser” is defined as that party or entity which purchases Millwork Holdings furniture from an authorized Millwork Holdings retailer as shown by the original sales receipt. This warranty does not apply to “as is” or previously owned seating products.

Millwork Holdings warrants its products to be free from defects in materials and workmanship (normal wear and tear, fading and stretching excepted), for one year from the date of purchase, except as provided below under the limited warranty.

This warranty gives you specific rights, and you may also have other rights, which vary from state to state. All warranties are limited to the original purchaser for normal use by a maximum of two users. Total weight capacity per chair is 250 pounds for a single user.

### **The exceptions or exclusions to this warranty are:**

- Upholstery material and foam cushion material is warranted against defects in material and workmanship for a period of one year, beginning on the date of purchase as shown on the original sales receipt.
- Any warranty claim that is submitted after the limited warranty period, or without proper proof of purchase will not include the cost of parts, labor, or delivery on the warranted parts within a reasonable amount of time. We reserve the right to require damaged parts to be returned to us upon request. Natural markings such as scars, brands, grain variations, wrinkles, color variations, etc. will be considered normal characteristics and not construed as defects.
- For claims or questions concerning this warranty, please contact Millwork Holdings Customer Service department on the web at [www.truecustomersupport.com](http://www.truecustomersupport.com). Be prepared to provide your name, address, daytime phone number, the model and purchase order number of the product, date of purchase, and the store where it was purchased. Millwork Holdings requires that the original sales receipt be submitted with all requests to confirm that you are the original purchaser according to our written warranty.

## *Guidelines*

Thank you for selecting an Elle Decor piece!

Our primary objective is to provide fast, friendly customer service to all of our customers. We are here to help if you have any questions, comments, or are in need of warranty replacement parts.

Please call us toll free at: 1-855-372-2315  
(Monday - Friday 6:00am - 5:00pm PST)

Or visit our website:  
[www.truecustomersupport.com](http://www.truecustomersupport.com)  
[www.trueinnovations.com](http://www.trueinnovations.com)

---

**Assembly time ~ 15 minutes**

### **FAILURE TO FOLLOW THESE WARNINGS WHEN IN USE COULD RESULT IN INJURY**

- Do not stand on the item or use as a step ladder.
- The chair is only designed for one person to use at a time (per seat).
- The chair has been tested and approved for users weighing up to 250 lbs (113kg) per seat.
- The chair is not recommended for use by individuals weighing more than 250 lbs (113kg) per seat.
- Do not use this item unless all bolts and screws are firmly secured and fastened.
- Check all bolts and screws every **90** days. As necessary, tighten if any are loose.
- Please lift up then move. Pushing over or dragging this product can result in an injury or cause damage to the floor and outdoor piece.

**WARNING:** DO NOT LET CHILDREN PLAY IN OR AROUND THE UNIT DUE TO THE POSSIBLE RISK OF FINGER ENTRAPMENT.

---

***Pre-Assembly Preparation:***

Please read through this instruction before beginning assembly of this item.








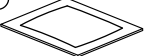



***Two adults assembly are recommended.***







- Clear out space for assembly and lay out all parts shown in parts list. Extra room will allow you to easily determine if all the pieces are present.
- Save all packing materials until assembly is complete to avoid accidentally discarding smaller parts or hardware.
- Keep small parts and pieces away from children until fully assembled.
- Please check for any loose screws and tighten them before you use.

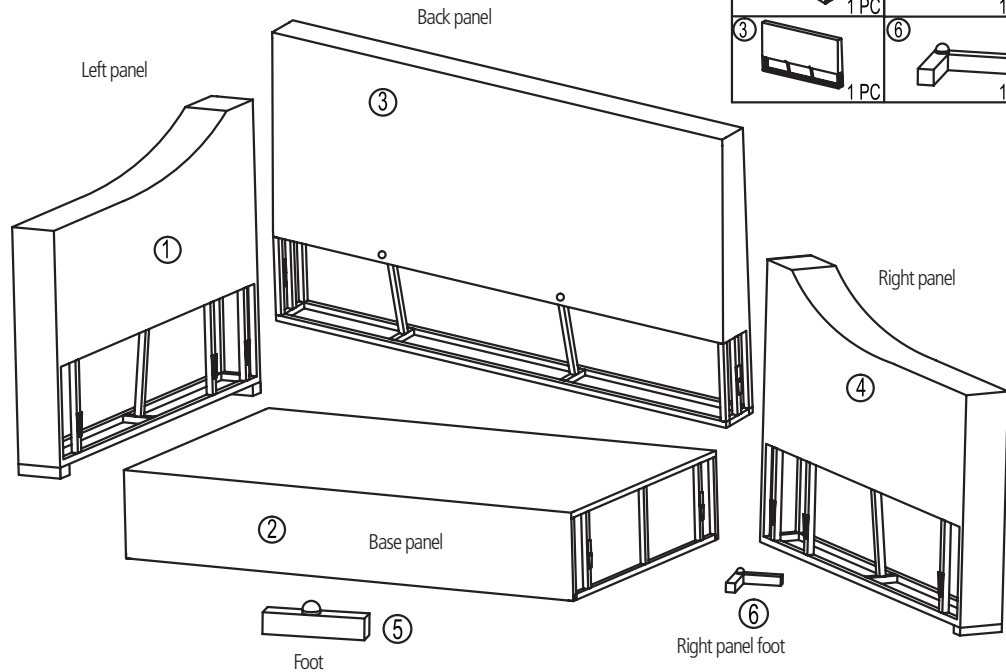
***Cleaning & Maintenance:***

- Wash frame parts with mild soap and water, rinse thoroughly. Dry frame parts completely. Do not use bleach, acid or other solvents on the wicker or metal parts.
- We recommend the use of furniture covers to protect the set when not in use.
- Inspect and tighten all bolts on a regular basis to ensure proper performance and safety.
- In order to prolong the life of your outdoor furniture, we recommend storing it in a dry and protected area during off season periods.

# Parts Inventory

PARTS	
(A)  4 PCS	(G)  2 PCS
(B)  10 PCS	(H)  2 PCS
(C)  2 PCS	(I)  2 PCS
(D)  4 PCS	(J)  2 PCS
(E)  2 PCS	(K)  2 PCS
(F)  1 PC	

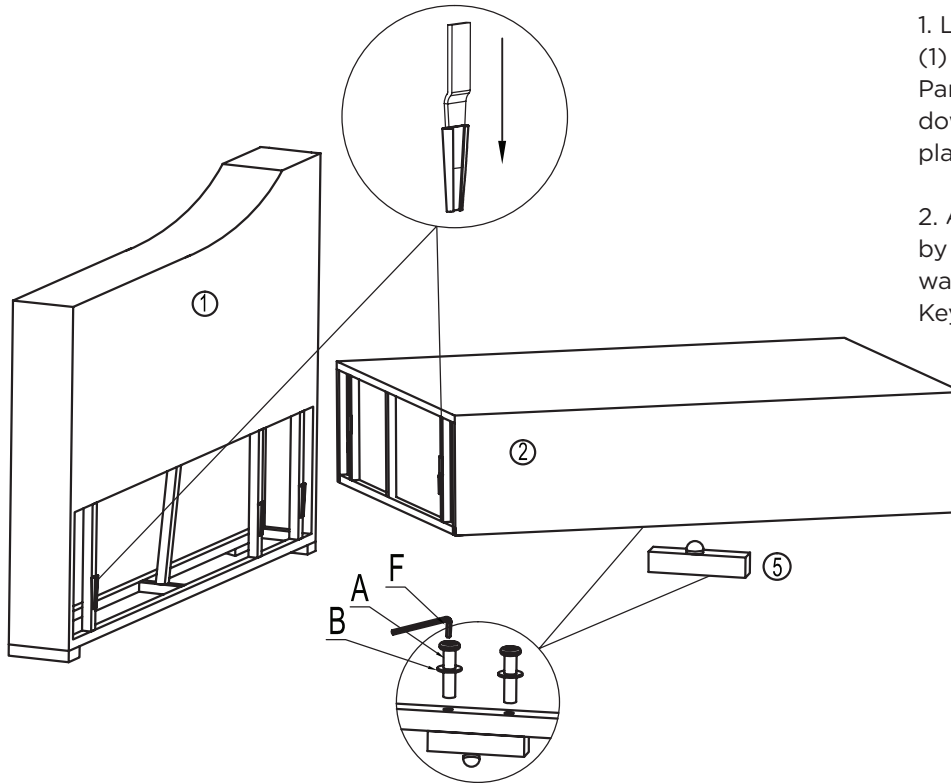
PARTS	
(1)  1 PC	(4)  1 PC
(2)  1 PC	(5)  1 PC
(3)  1 PC	(6)  1 PC



**NOTE:** DO NOT FULLY TIGHTEN BOLTS UNTIL ALL PARTS ARE ASSEMBLED.

---

**STEP 1**



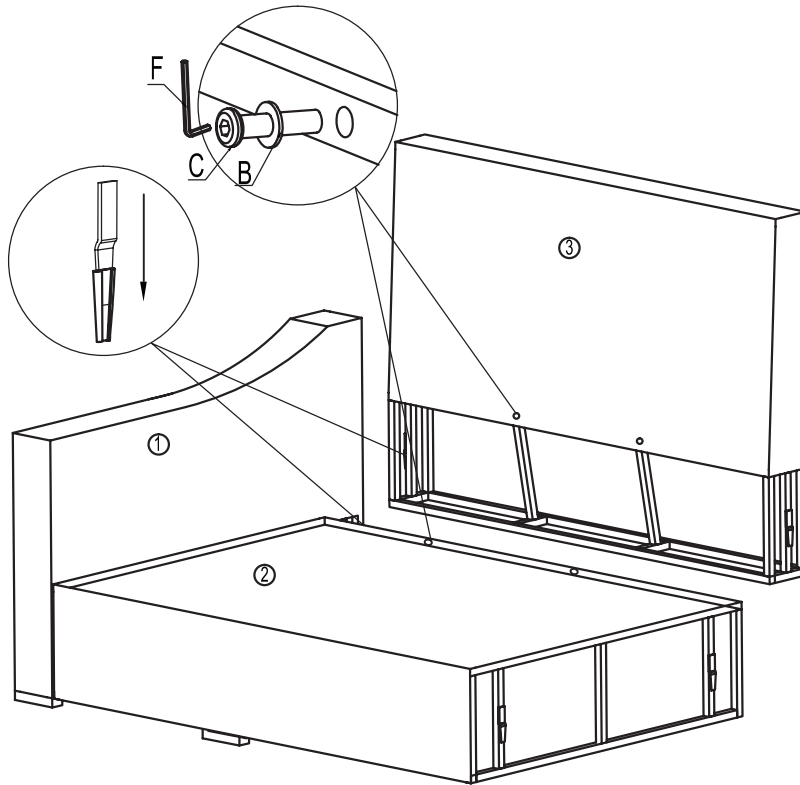
1. Lift to insert Left Side Panel's (1) attached hardware into Base Panel's (2) attached hardware. Push downwards until fully locked in place.

2. Attach foot (5) to Base Panel (2) by using M6x30mm bolt (A) with washer (B) and tighten using Allen Key (F).

**NOTE:** DO NOT FULLY TIGHTEN BOLTS UNTIL ALL PARTS ARE ASSEMBLED.

---

**STEP 2**



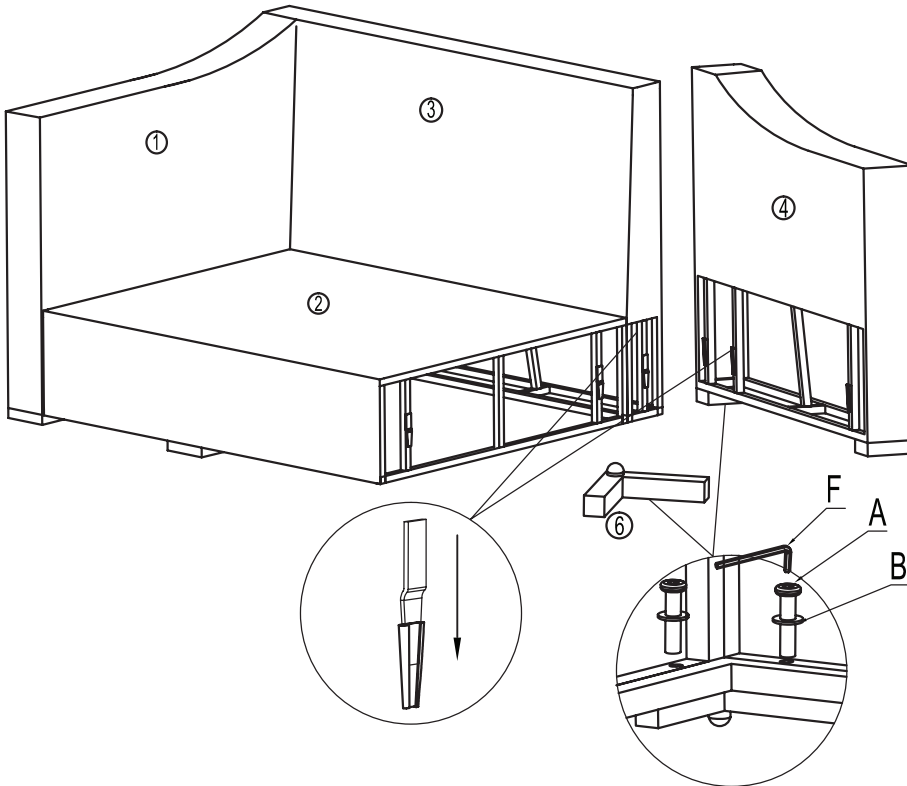
1. Lift to insert Back Panel (3) and attach hardware into Left Side Panel's (1) hardware and push down until fully connected.

2. Insert M6 x 40mm bolt (C) with washer (B) through Base (2) connecting to Back Panel (3) by using Allen Key (F) and fully tighten.

**NOTE:** DO NOT FULLY TIGHTEN BOLTS UNTIL ALL PARTS ARE ASSEMBLED.

---

**STEP 3**

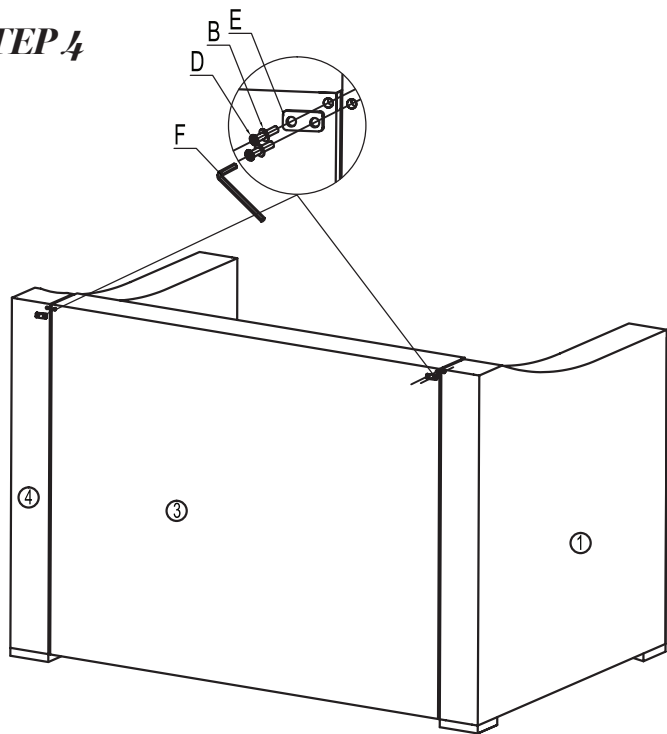


1. Lift to insert Right Side Panel (4) and locate Right Side Panel's (4) attached hardware into Base Panel (2) and Back Panel's (3) attached hardware and push down until fully connected.

2. Attach Foot (6) to Right Side Panel (4) by using M6 x 30mm bolt (A) with Washer (B) and tighten using Allen Key (F).

**NOTE:** DO NOT FULLY TIGHTEN BOLTS UNTIL ALL PARTS ARE ASSEMBLED.

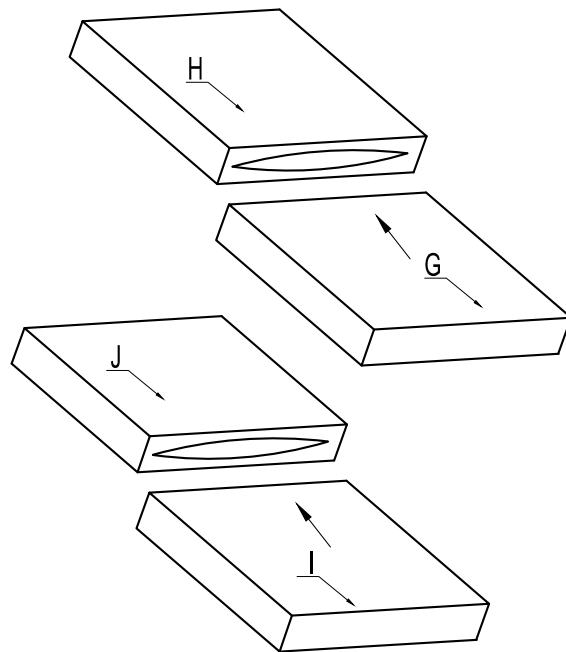
### STEP 4

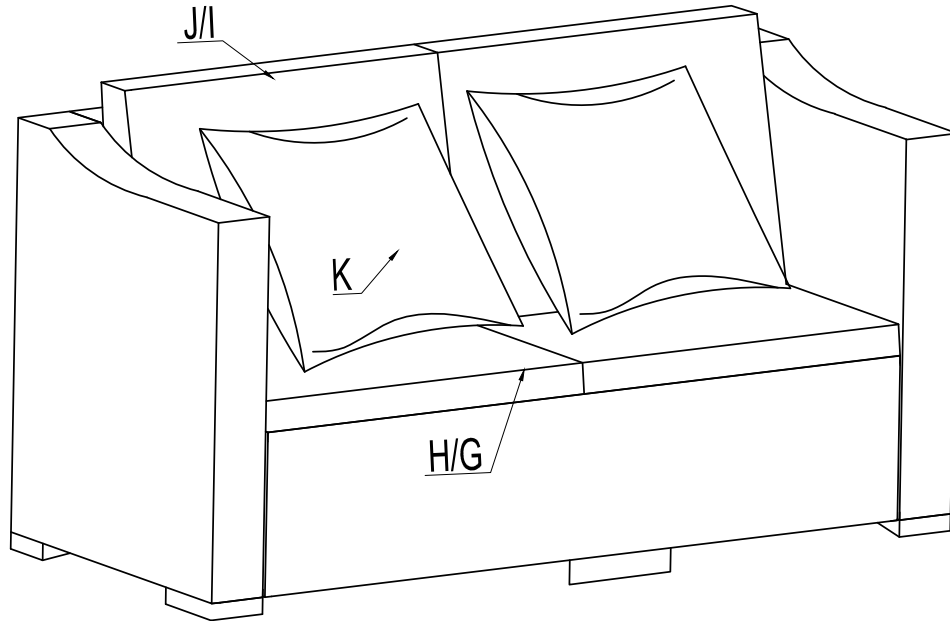


Attach Plate (E) with M6 x 15mm bolt (D) and Washer (B) and fully tighten using Allen Key (F)

### STEP 5

Insert Cushions (G) and (I) into Cushion covers (H) and (J).





***Thank you for your purchase!***

We hope you love your Elle Decor piece as much as we do.

