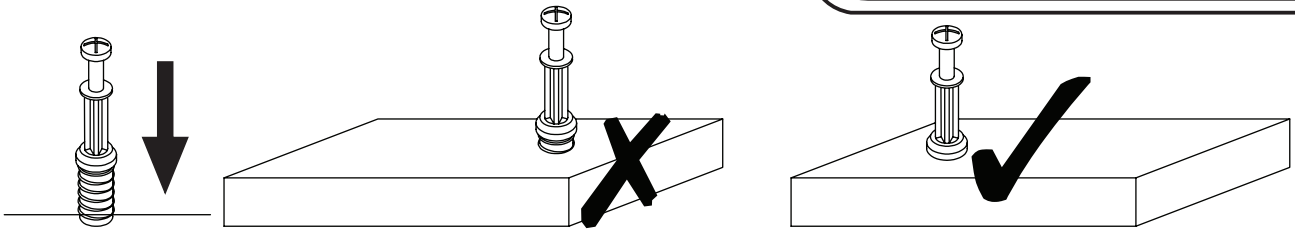
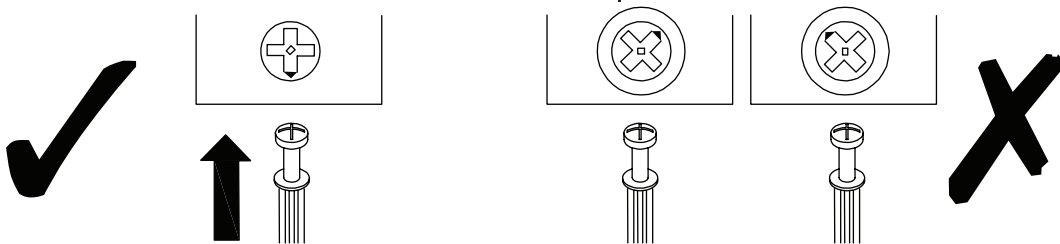


EN_IMPORTANT, RETAIN FOR FUTURE REFERENCE: READ CAREFULLY.

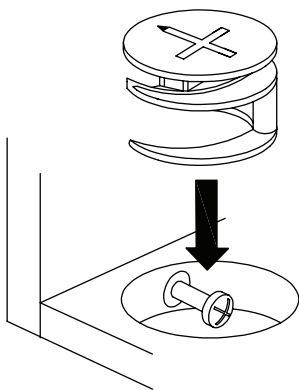
USING CAM LOCK AND QUICKFIT



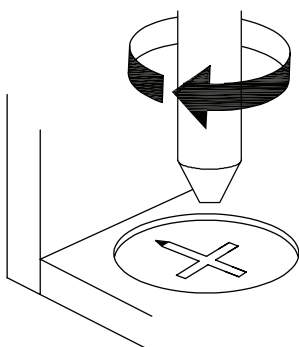
EN_QUICKFIT: Tighten quickfit until shoulder is flush with panel. Do not overtighten or undertighten.



EN_CAM LOCK: When fitting cam lock, ensure starting position is correct before you insert connecting quickfit.

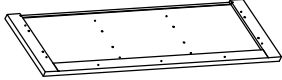
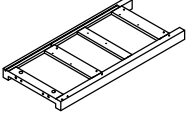
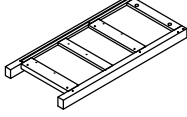
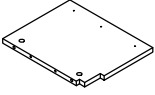
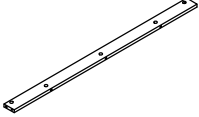
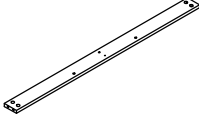
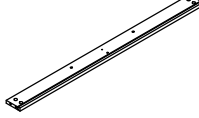
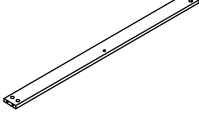

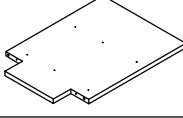
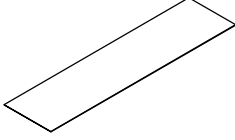
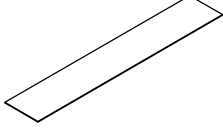



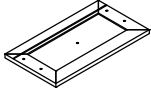
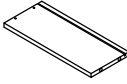
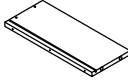
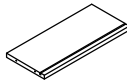
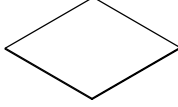
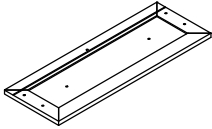
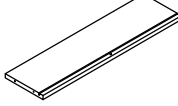

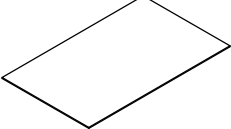

EN_Quickfit head should be in the centre of the cam lock when the two panels are joined.
Cam lock should be inserted before quickfit.

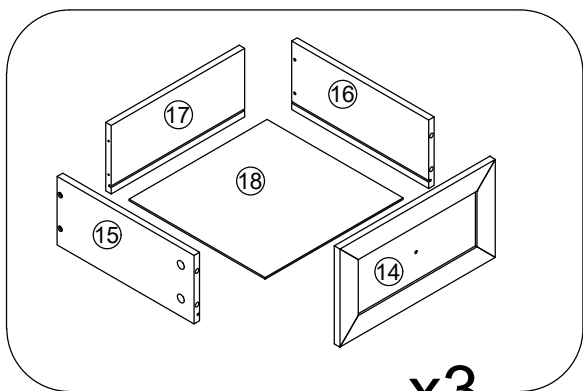
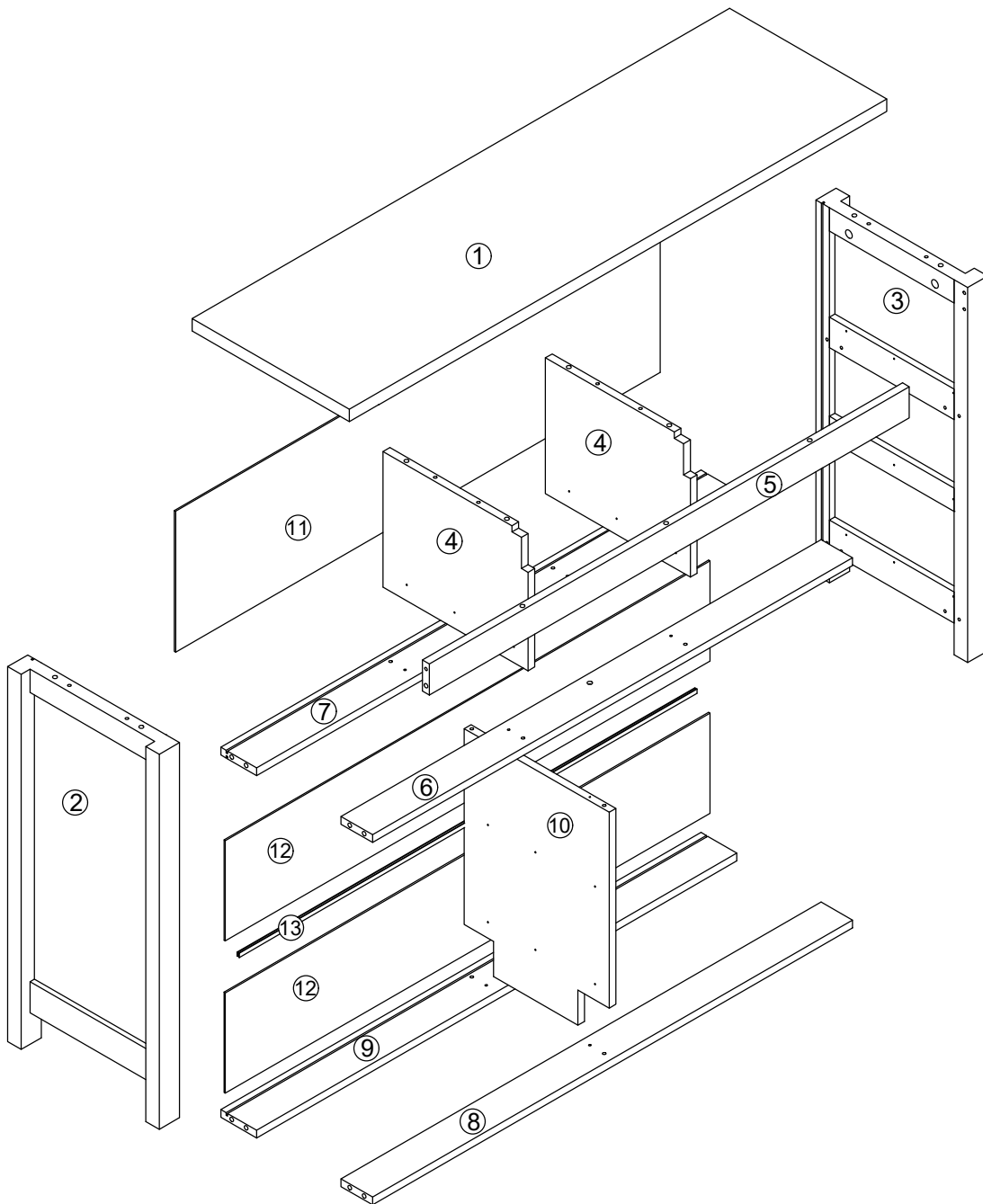


EN_Turn cam lock clockwise to tighten.

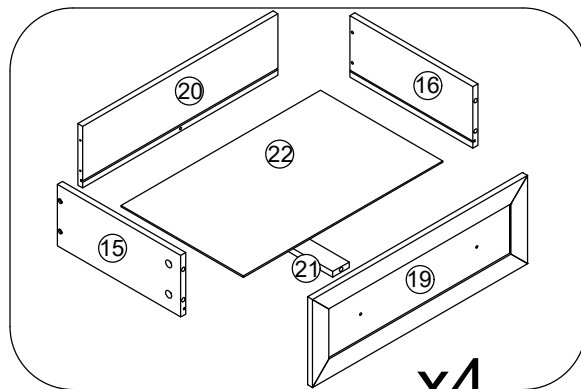
PACKING DELALS

NO.	PARTS	QTY	SPARE
①		x1	
②		x1	
③		x1	
④		x2	
⑤		x1	
⑥		x1	
⑦		x1	
⑧		x1	
⑨		x1	
⑩		x1	
⑪		x1	
⑫		x2	

NO.	PARTS	QTY	SPARE
⑬		x1	
⑭		x3	
⑮		x7	
⑯		x7	
⑰		x3	
⑱		x3	
⑲		x4	
⑳		x4	
㉑		x4	
㉒		x4	
	 Hardware Kit		



x3

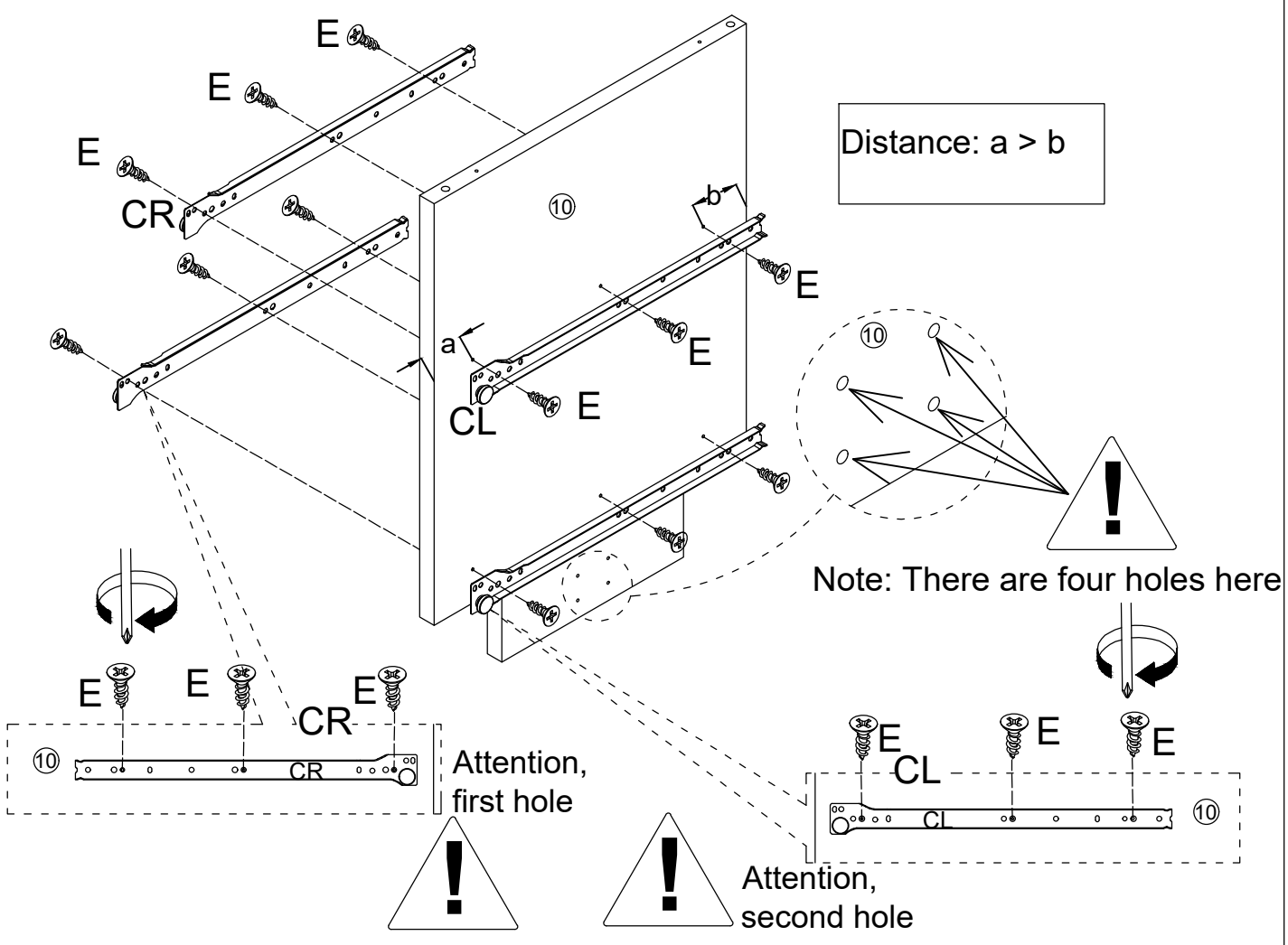


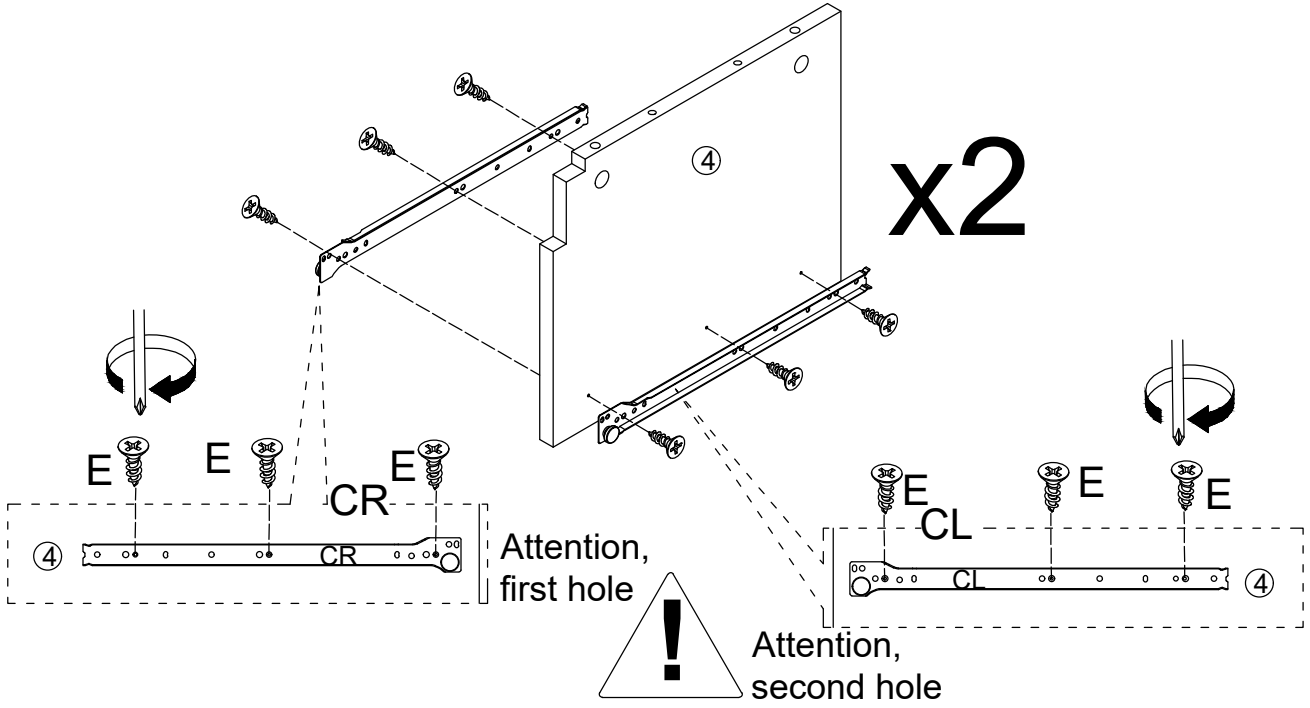
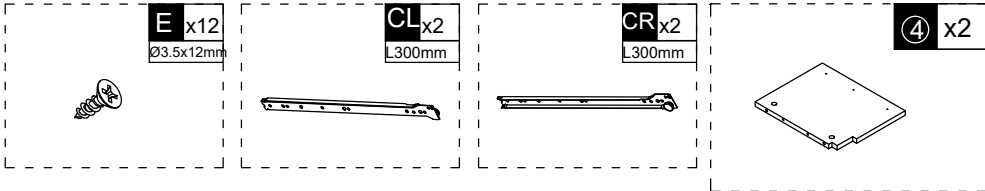
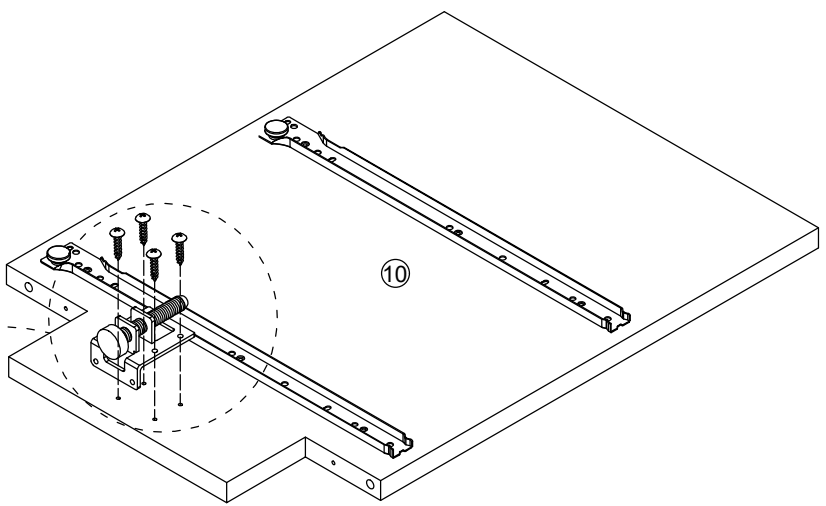
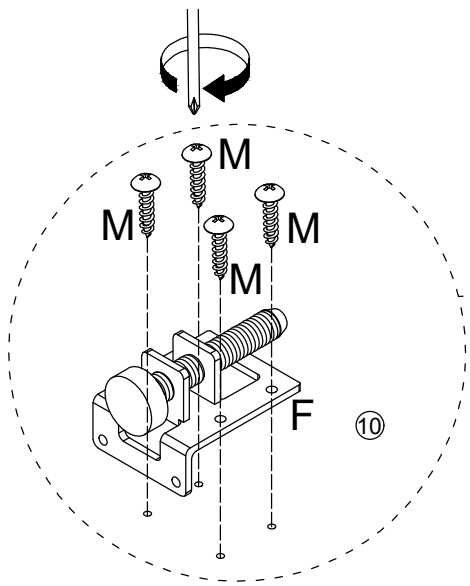
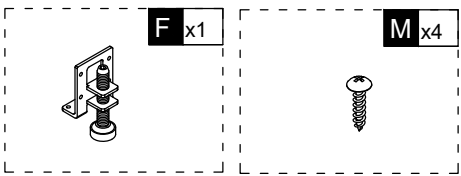
x4

A x61 Ø6x35mm +3(spare)	B x61 Ø15x10mm +3(spare)	C x18 Ø6x30mm +1(spare)	D x42 Ø4x35mm +2(spare)	E x84 Ø3.5x12mm +3(spare)	F x1
G x4	H x11 +1(spare)	I x11	J x12 +1(spare)	K x12 Ø3x16mm +1(spare)	L x2
M x6	N x2 Ø6x30mm	CL x7 L300mm	CR x7 L300mm	DL x7 L300mm	DR x7 L300mm

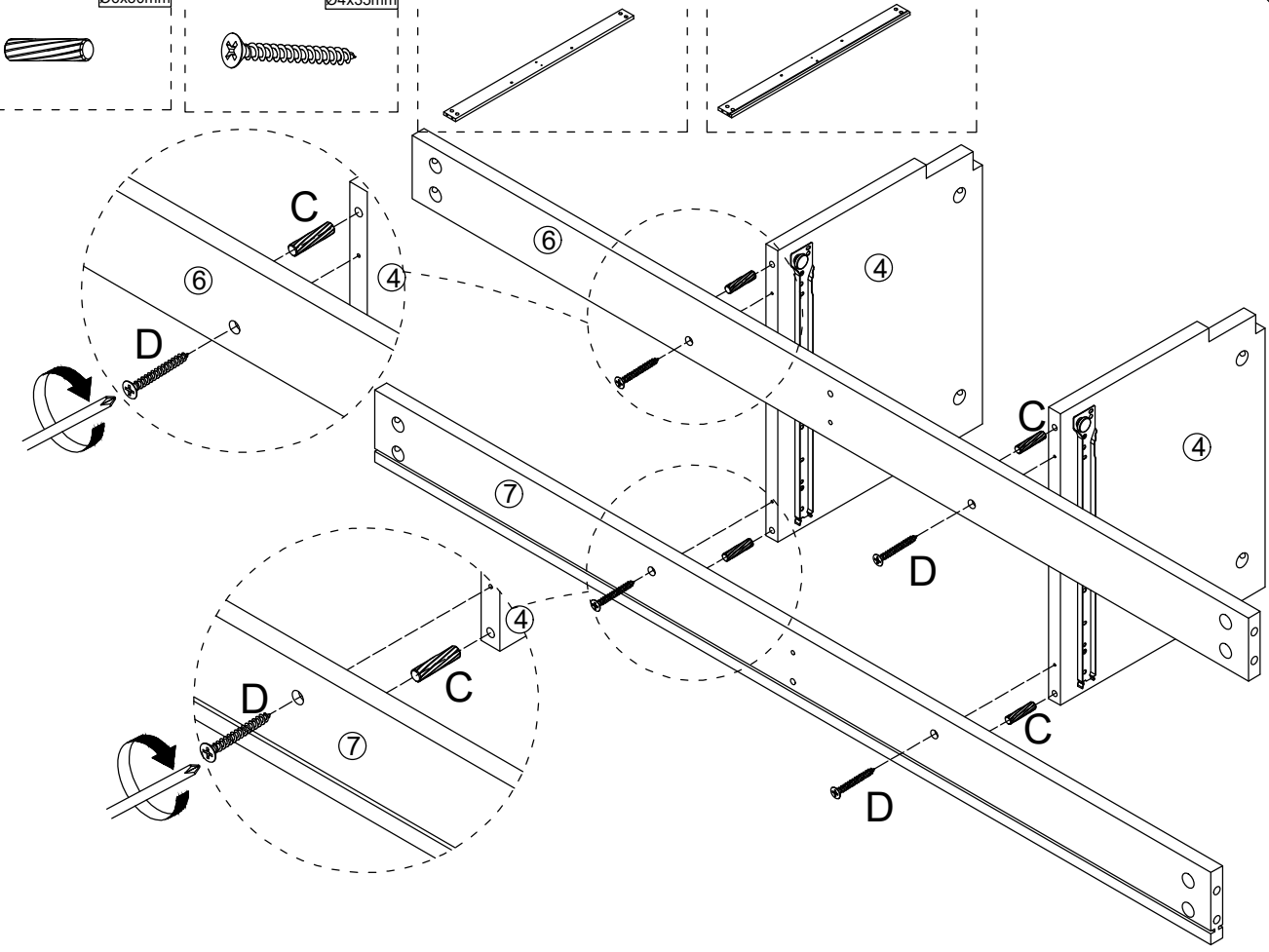
E x12 Ø3.5x12mm	CL x2 L300mm	CR x2 L300mm	10 x1
---------------------------	------------------------	------------------------	--------------

01

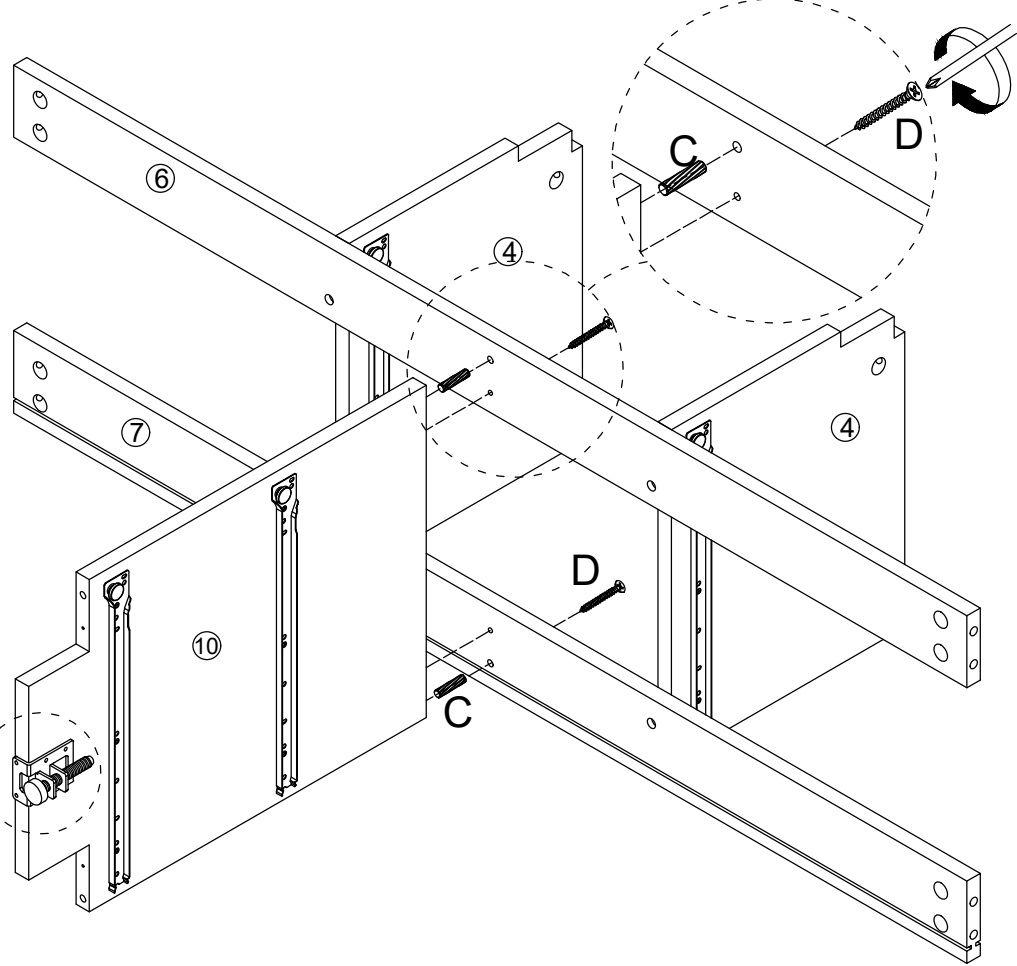
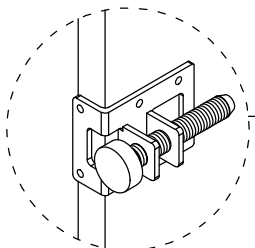
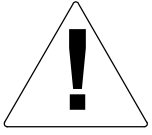




- C** x4
Ø6x30mm
- D** x4
Ø4x35mm
- 6** x1
- 7** x1



- C** x2
Ø6x30mm
- D** x2
Ø4x35mm

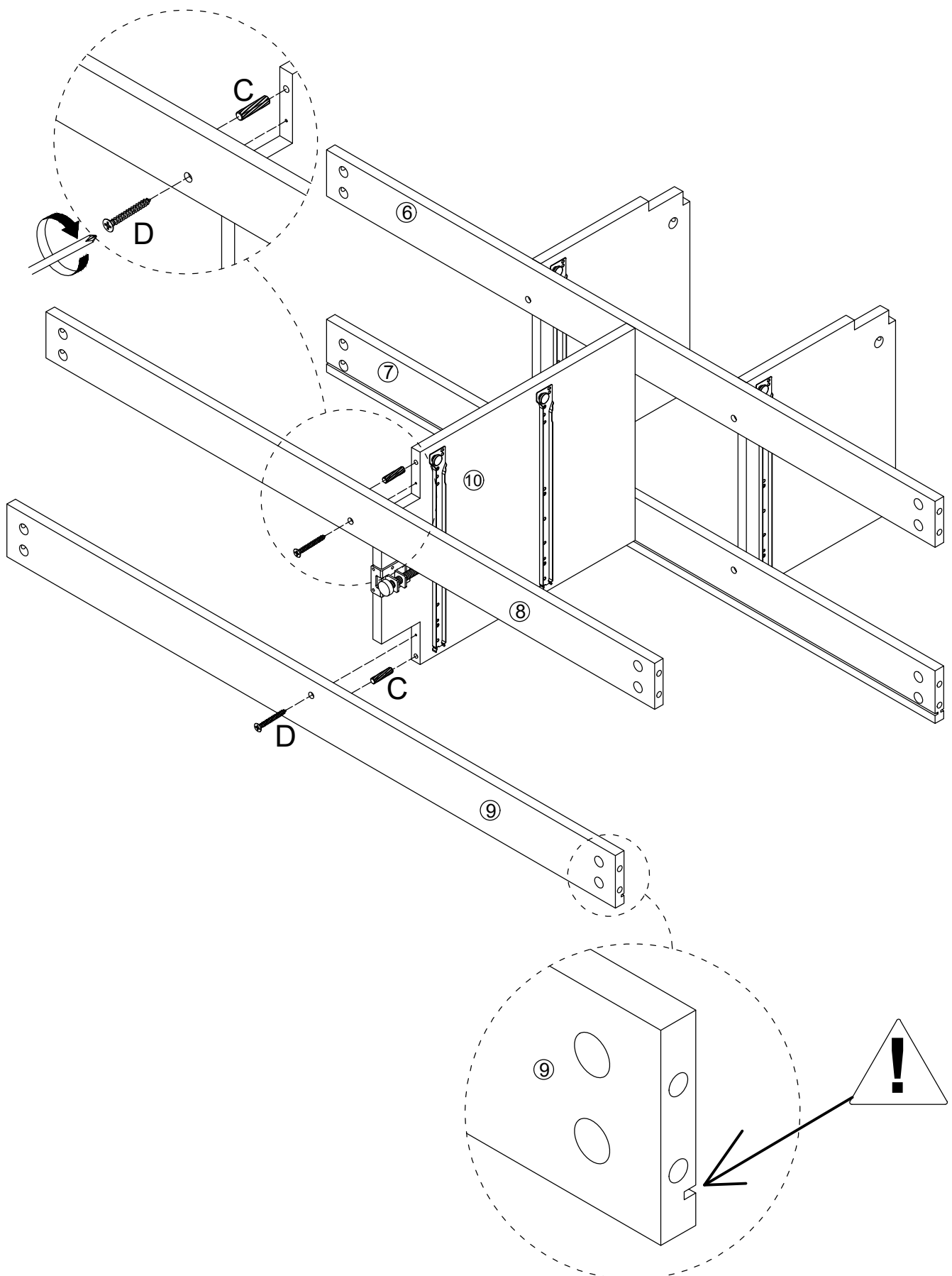
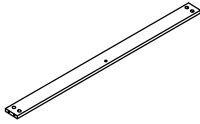


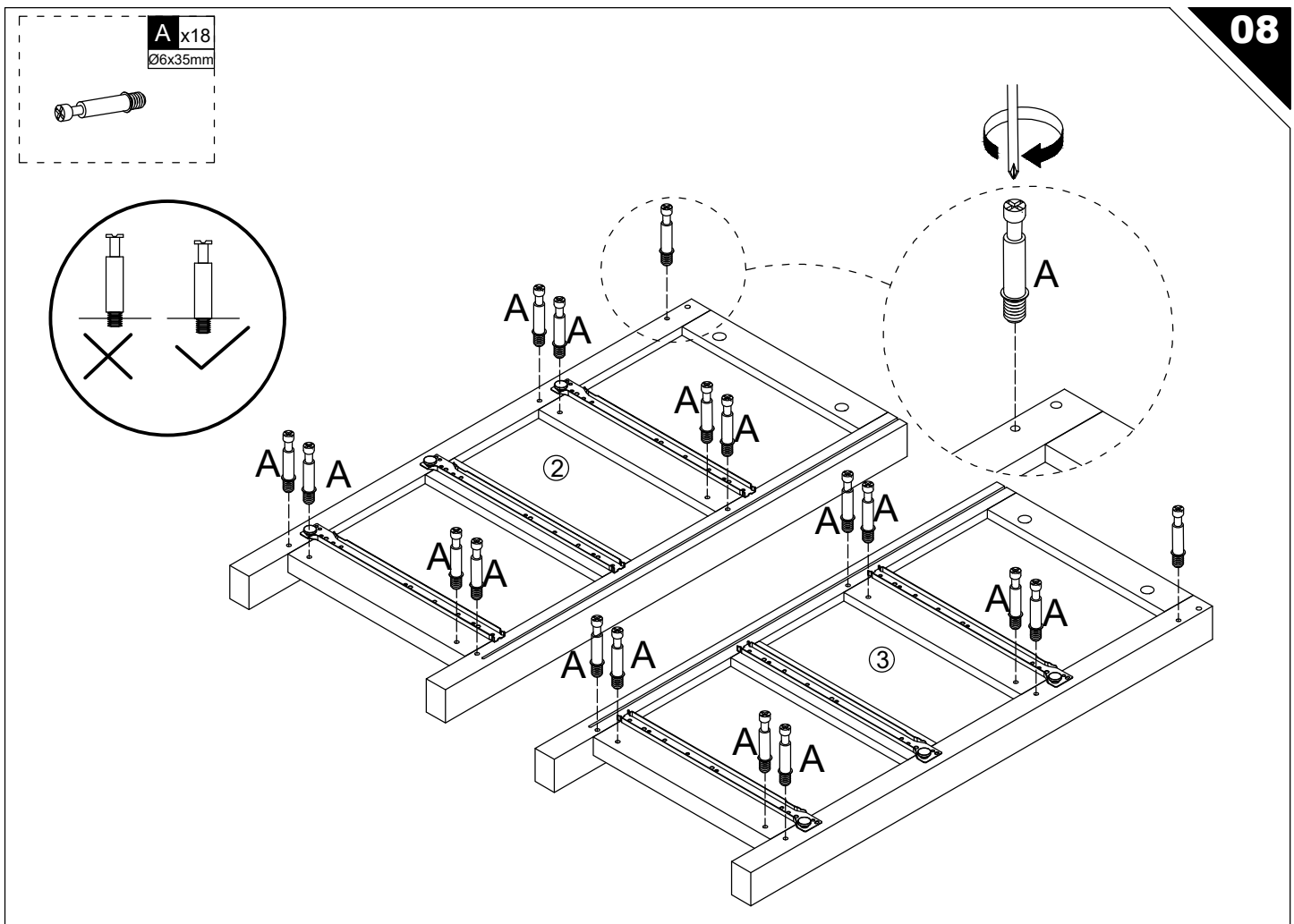
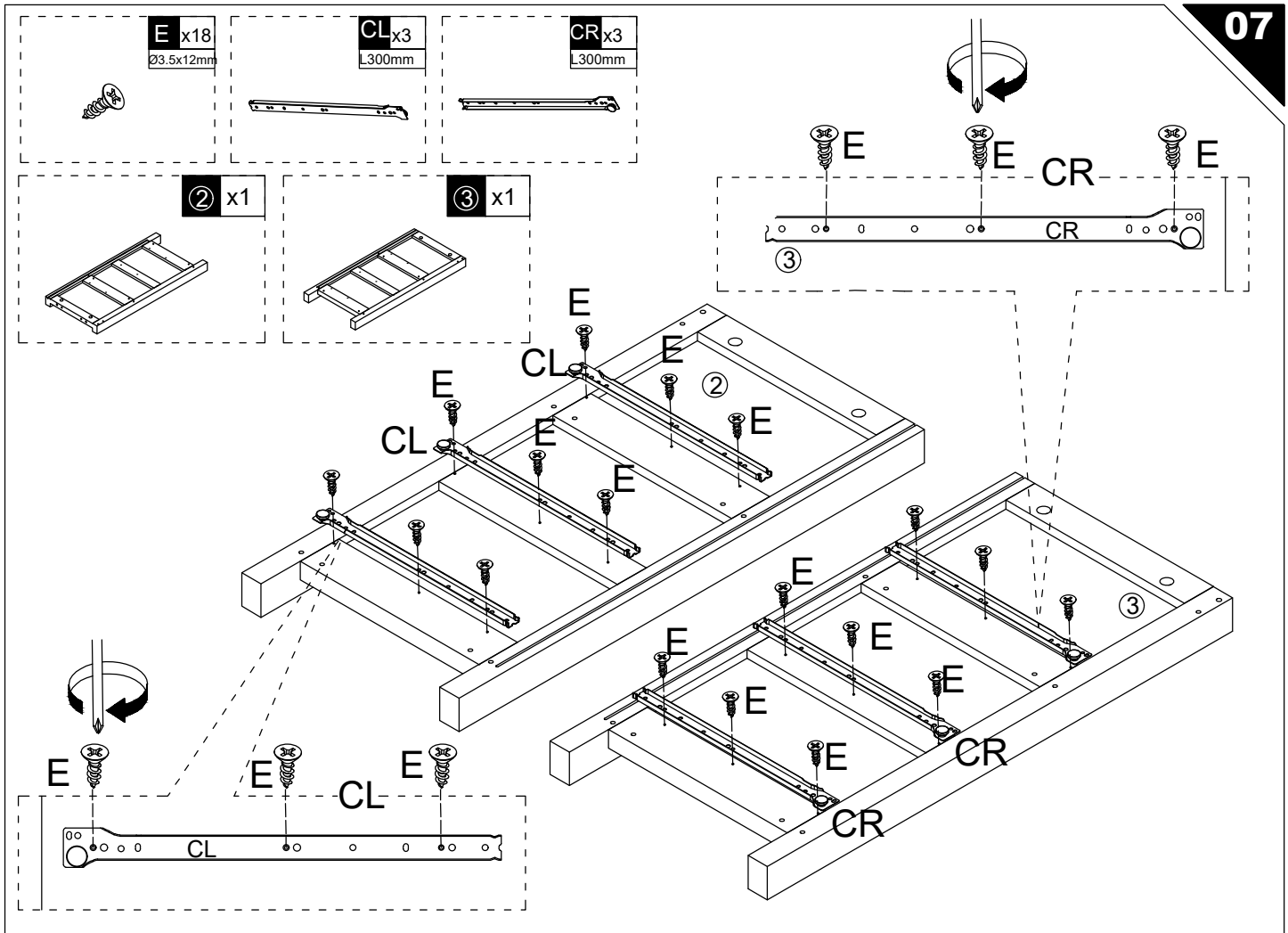
C x2
Ø6x30mm

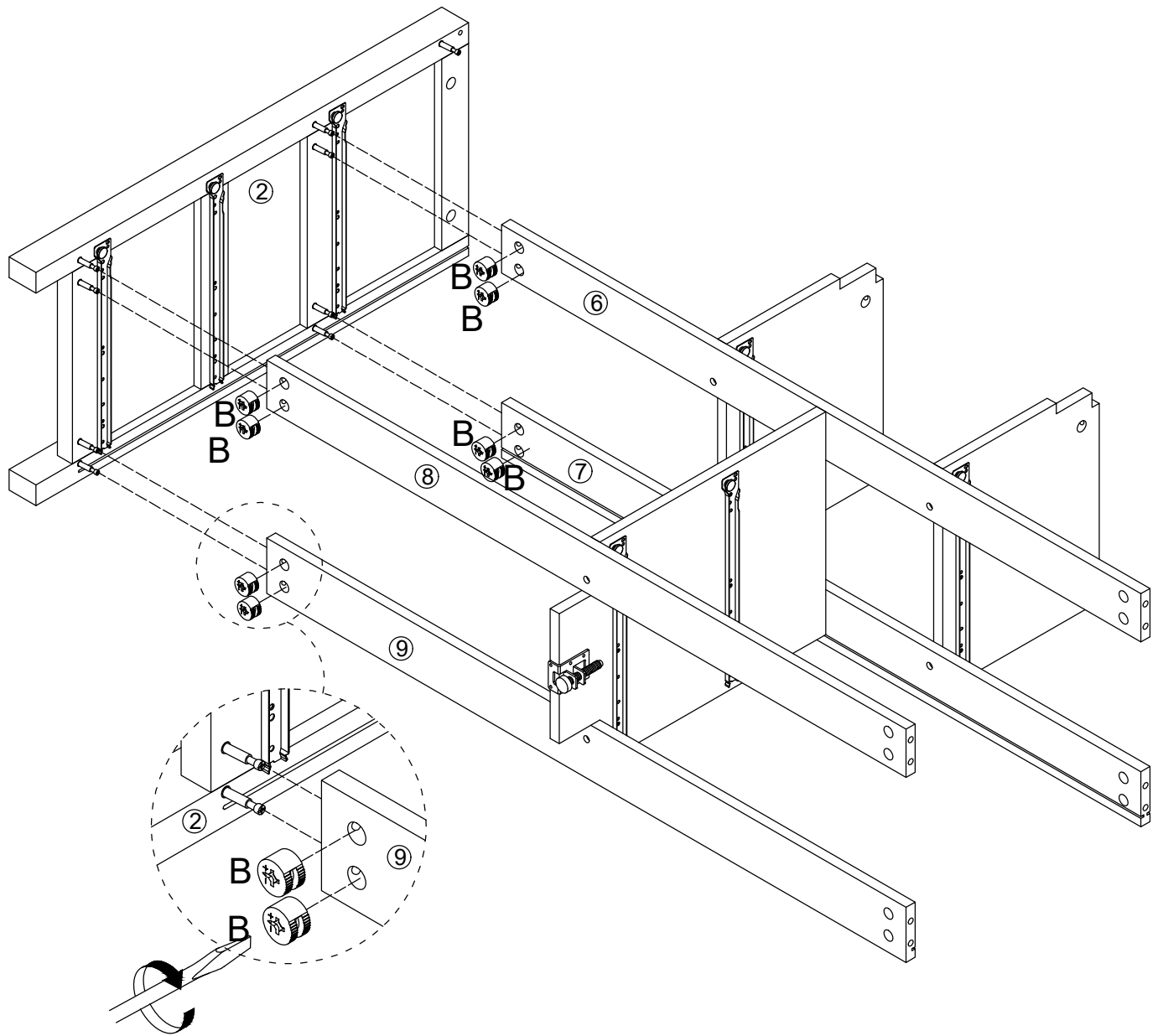
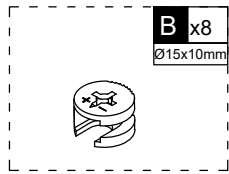
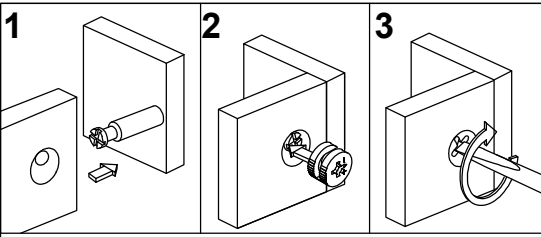
D x2
Ø4x35mm

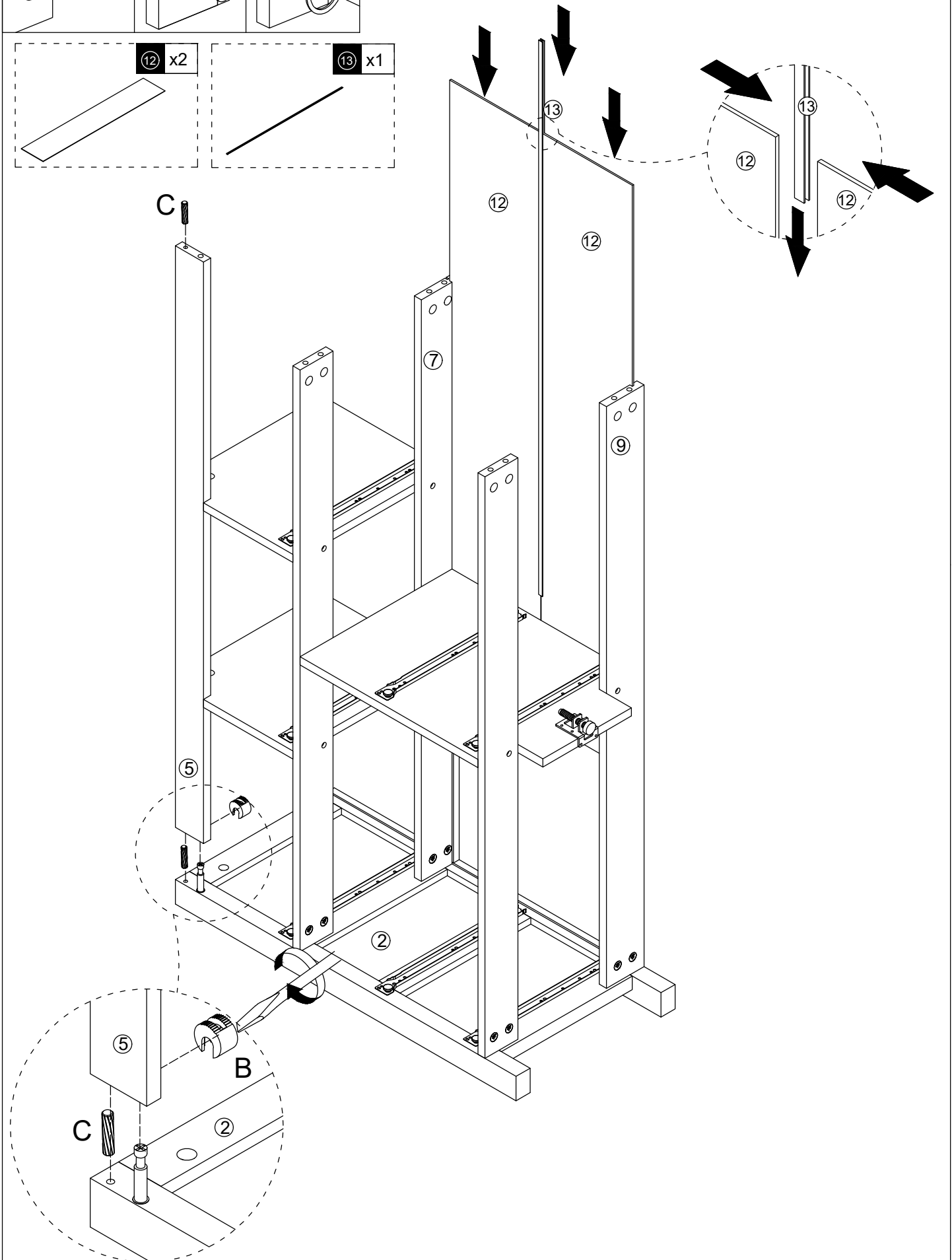
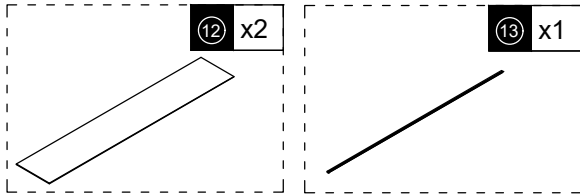
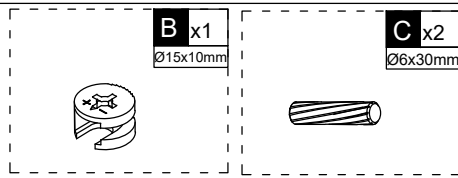
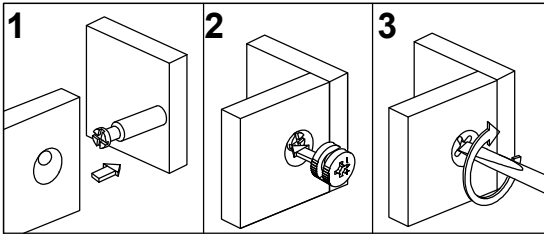
8 x1

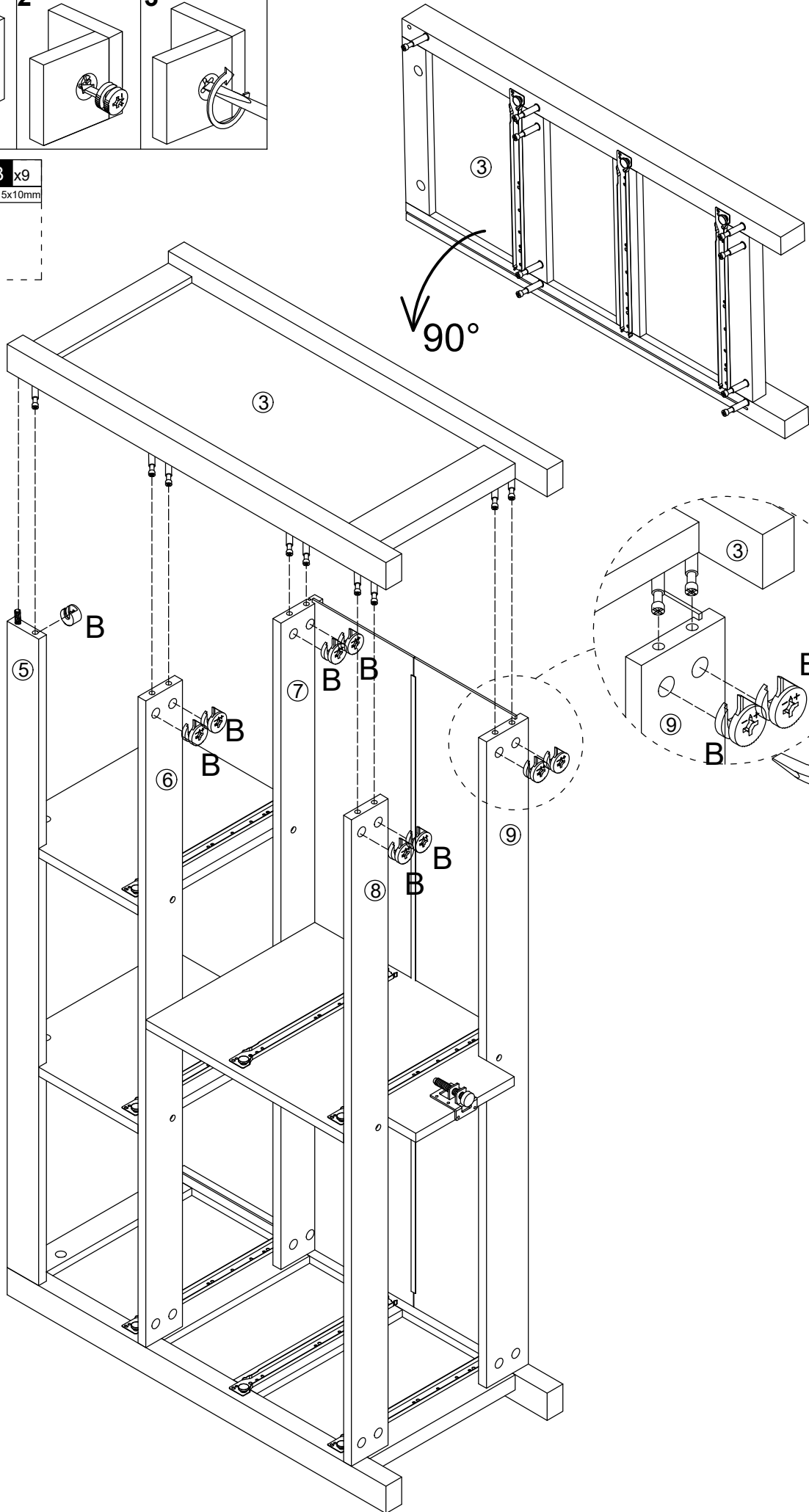
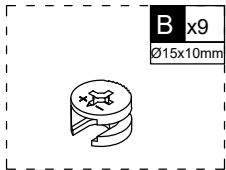
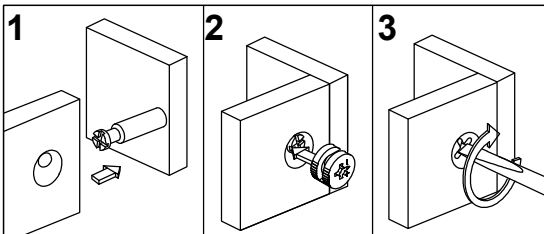
9 x1

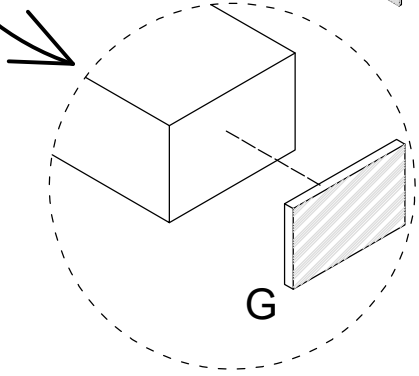
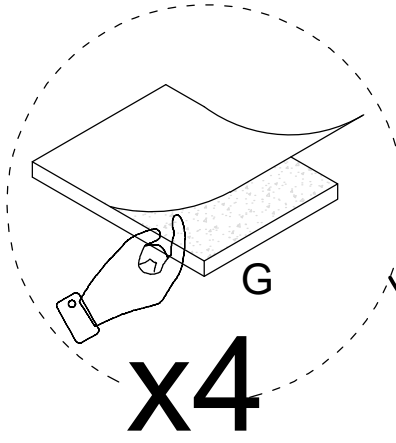
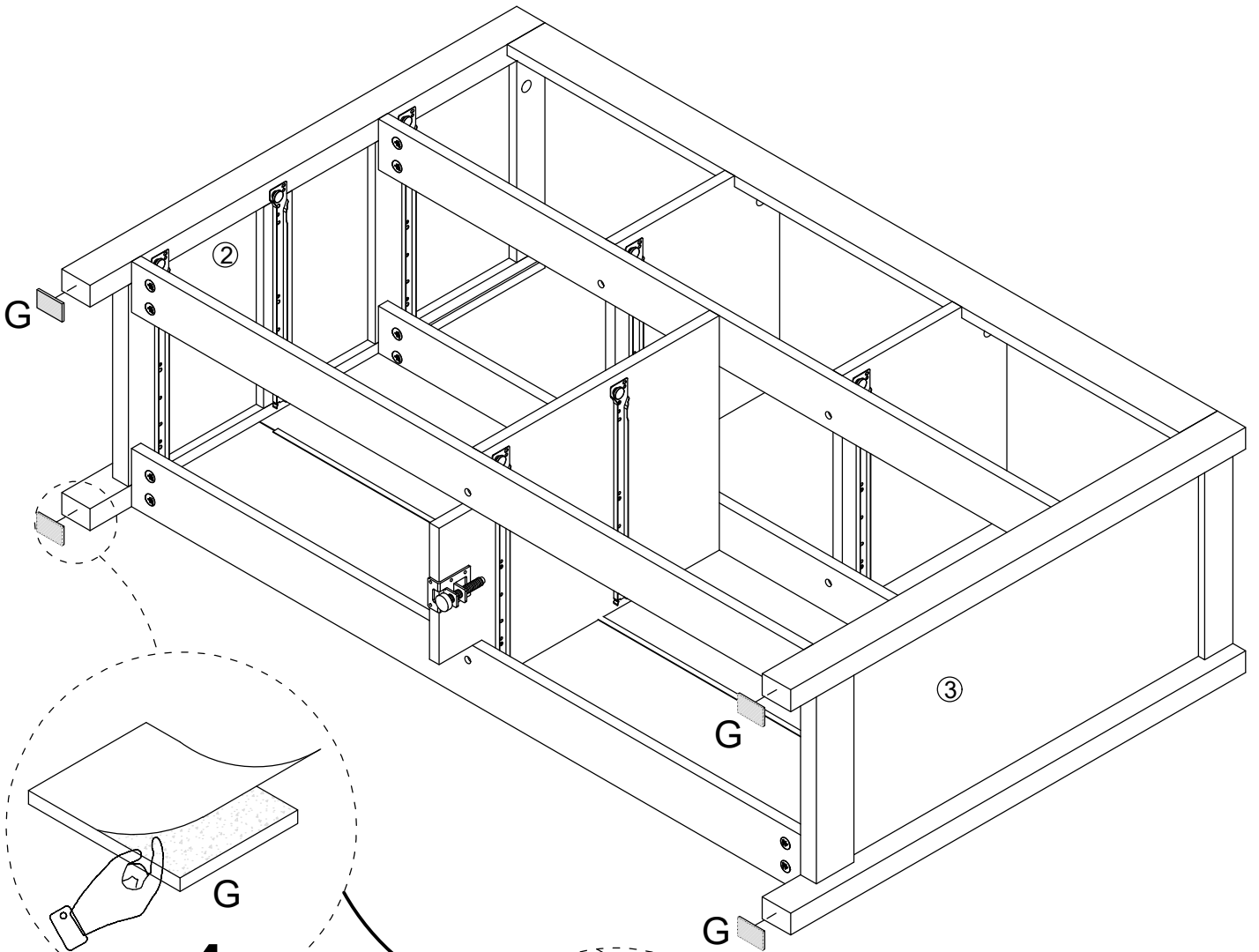
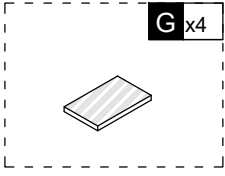




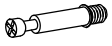








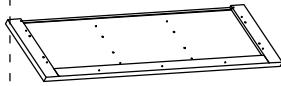
A x11
Ø6x35mm



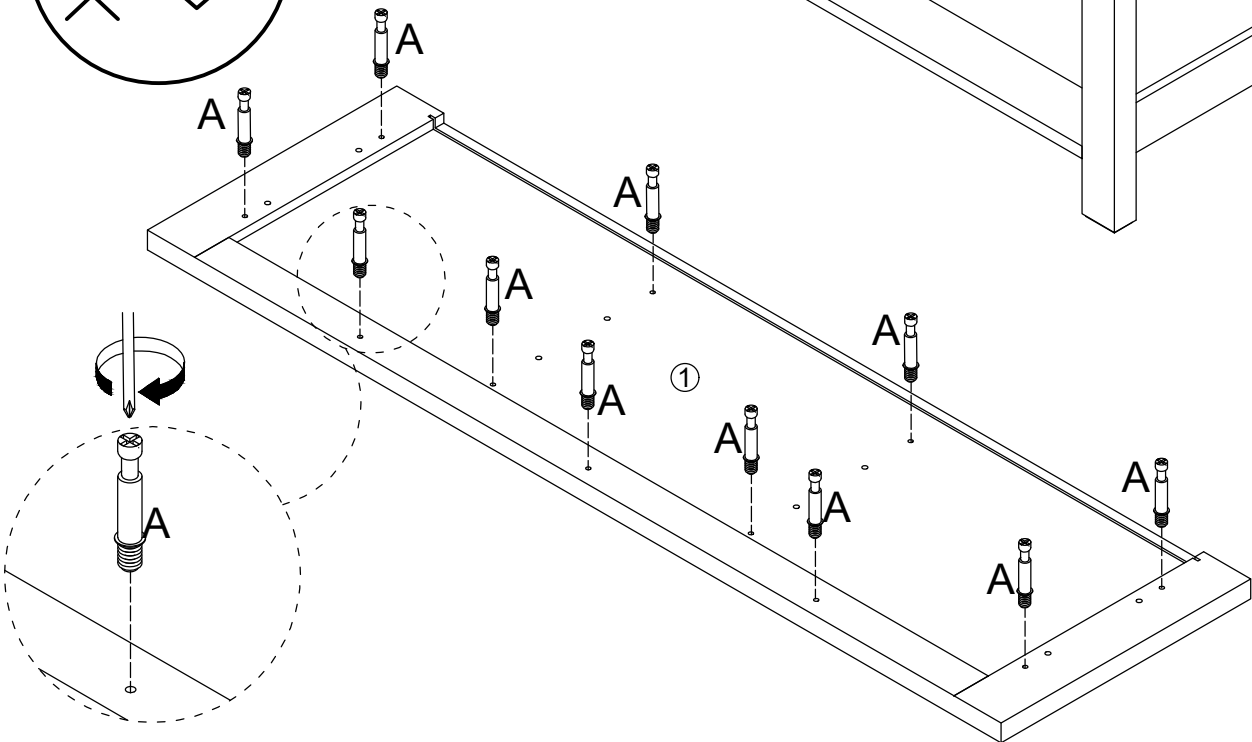
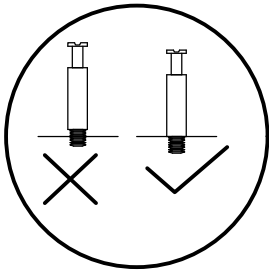
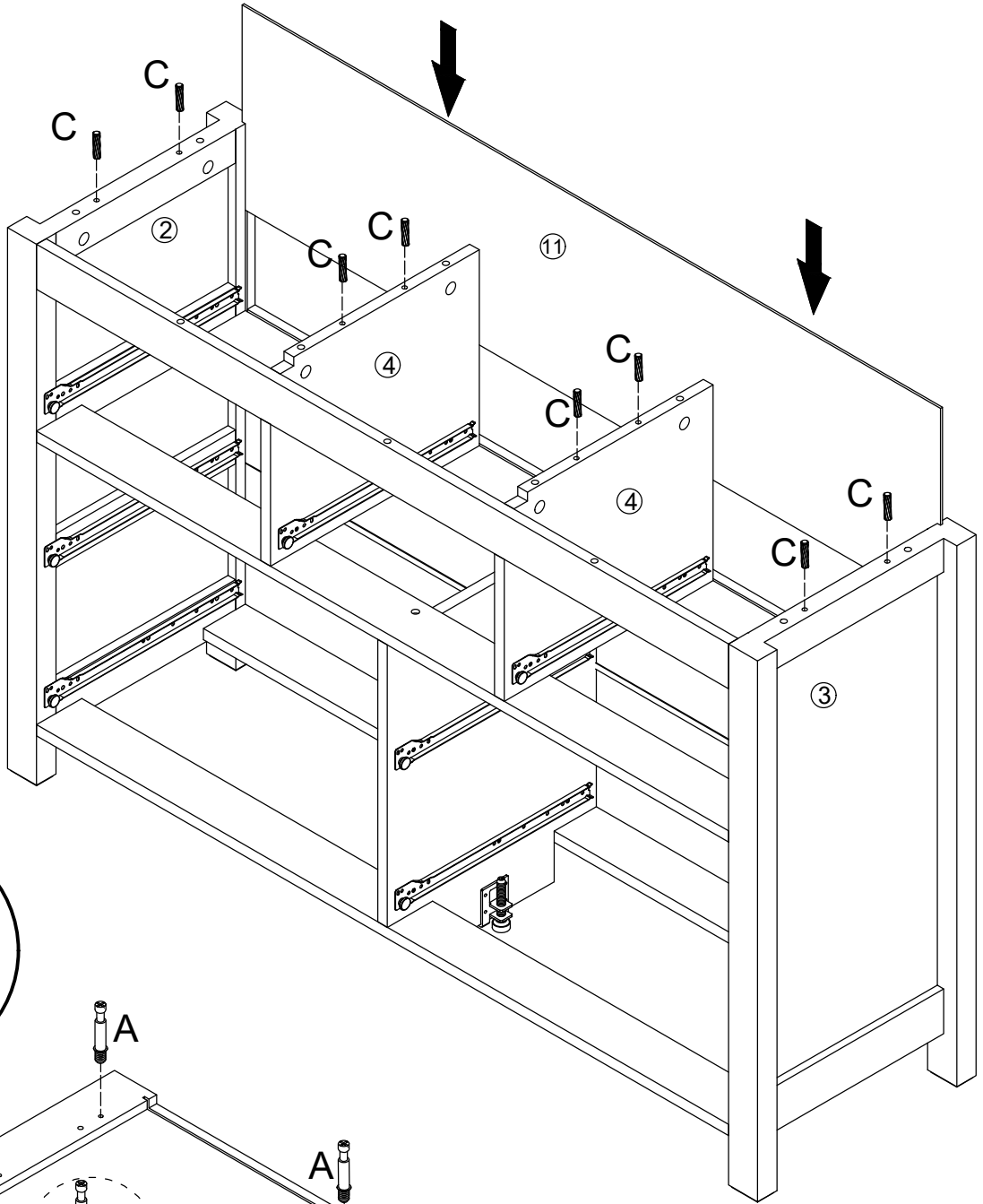
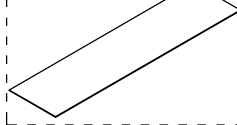
C x8
Ø6x30mm

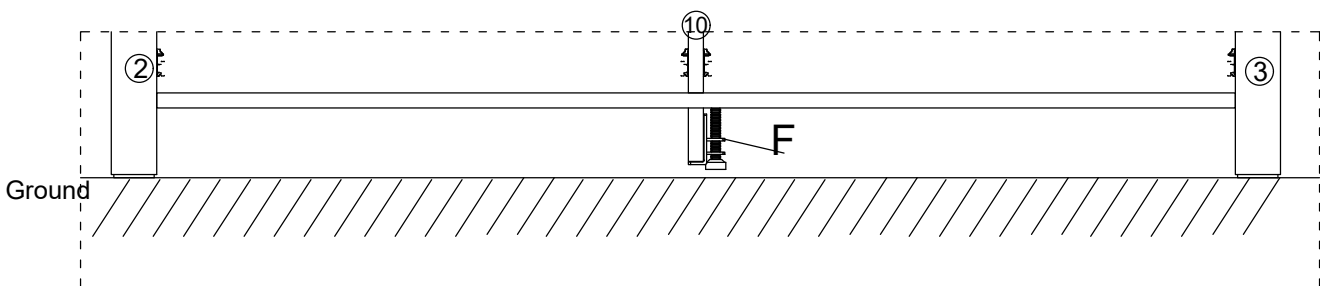
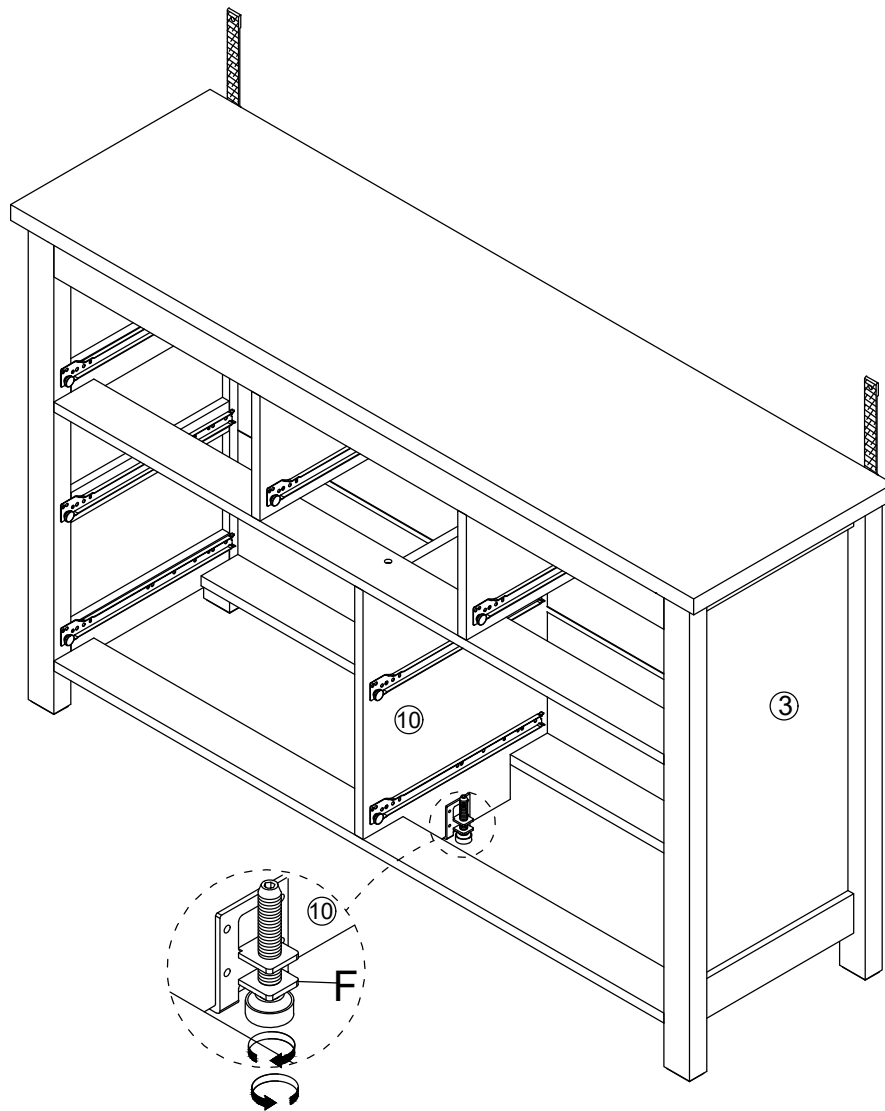


① x1

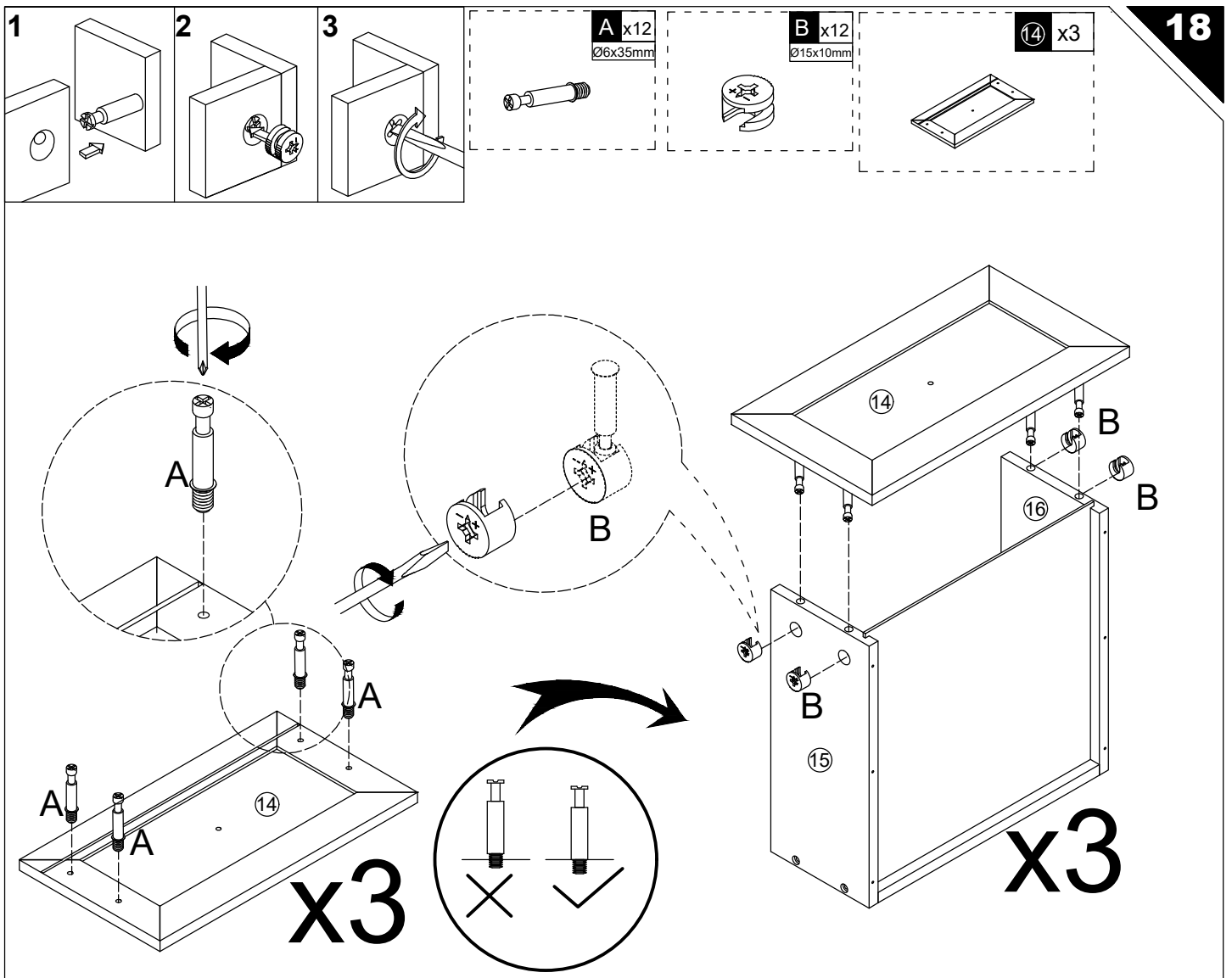
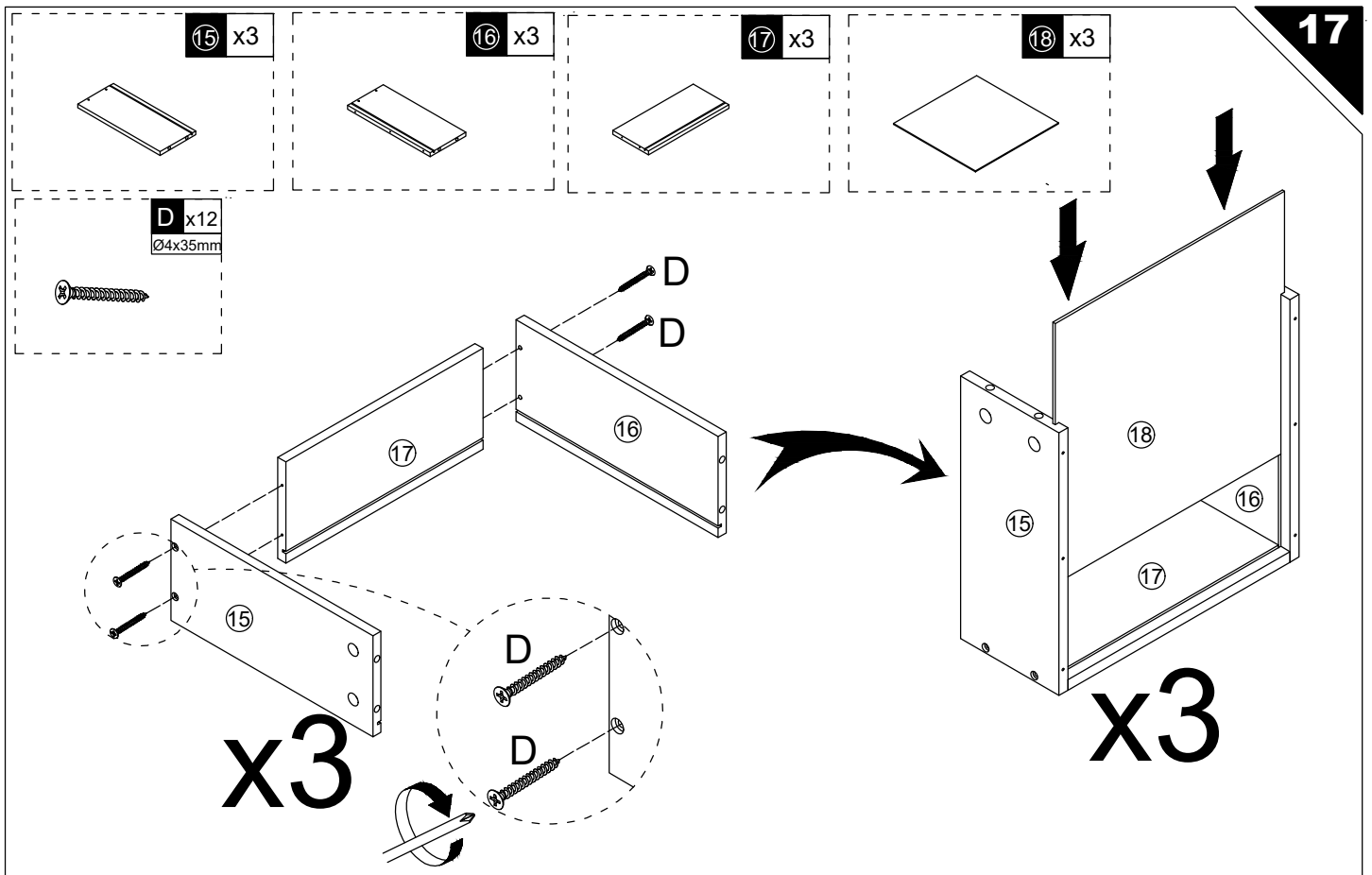


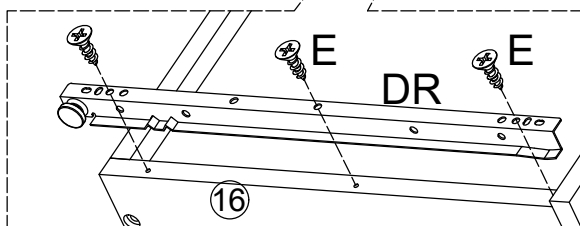
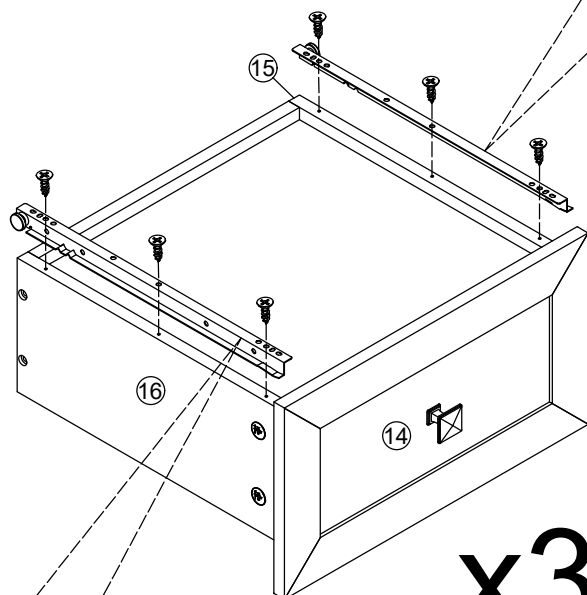
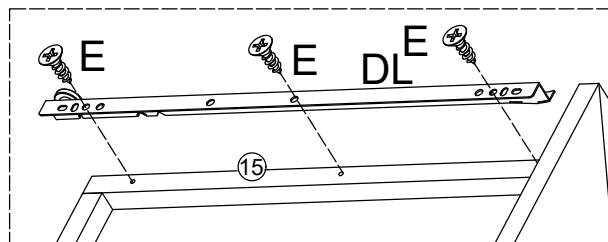
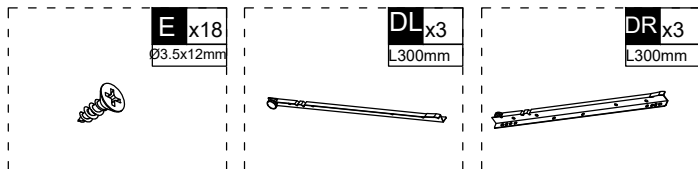
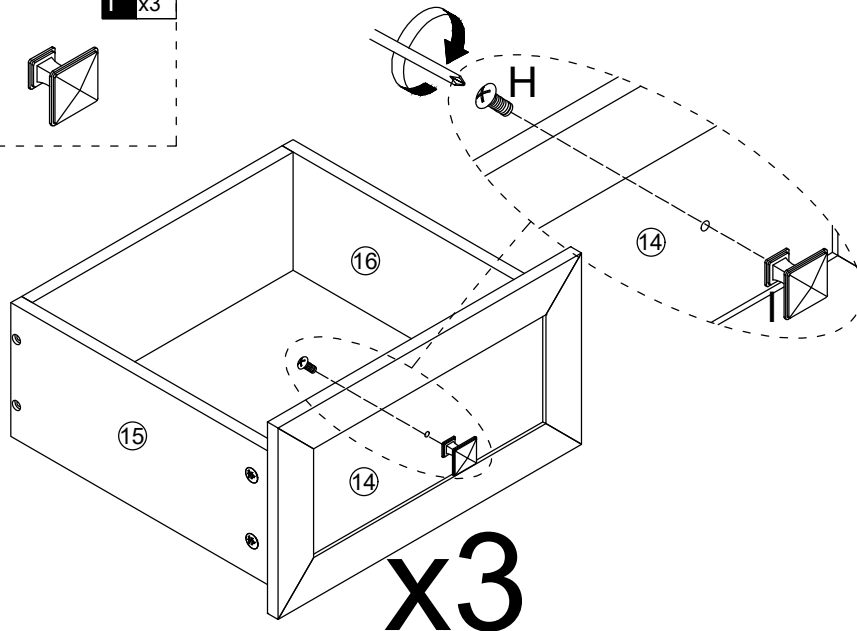
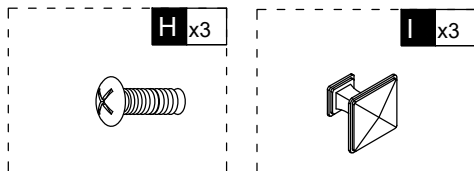
① x1



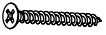


If the cabinet is unstable with the ground, please rotate the 10 # foot fitting (F)

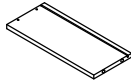




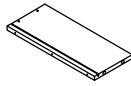
D x20
Ø4x35mm



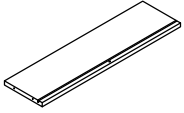
15 x4



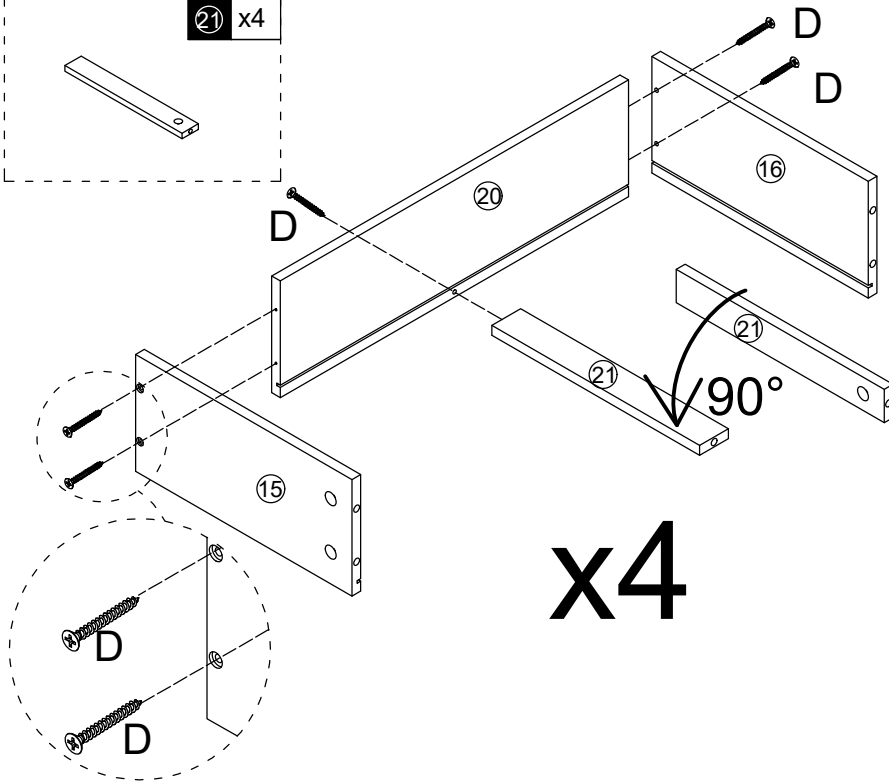
16 x4



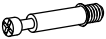
20 x4



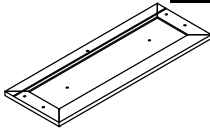
21 x4



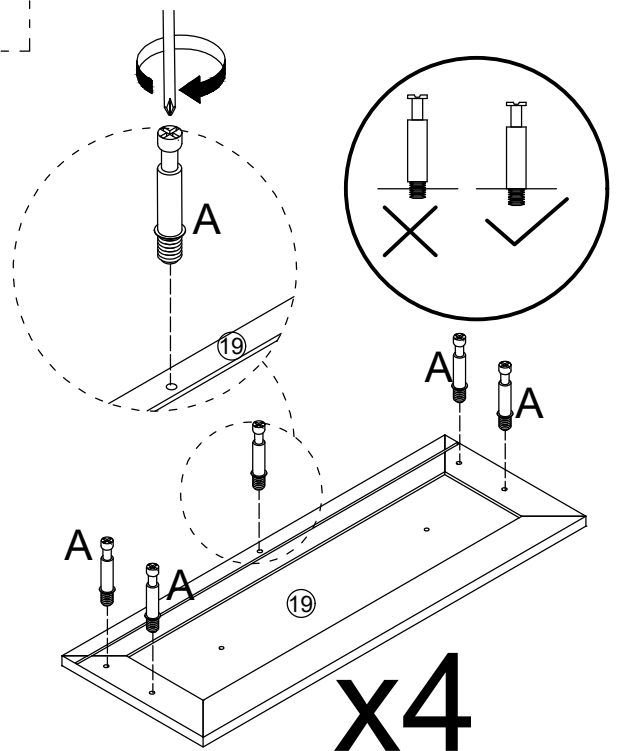
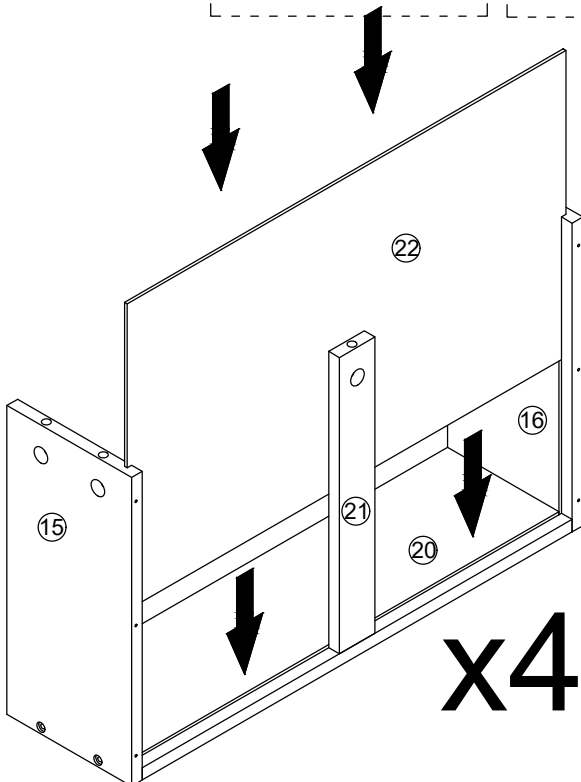
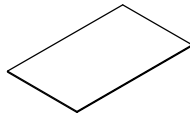
A x20
Ø6x35mm



19 x4



22 x4



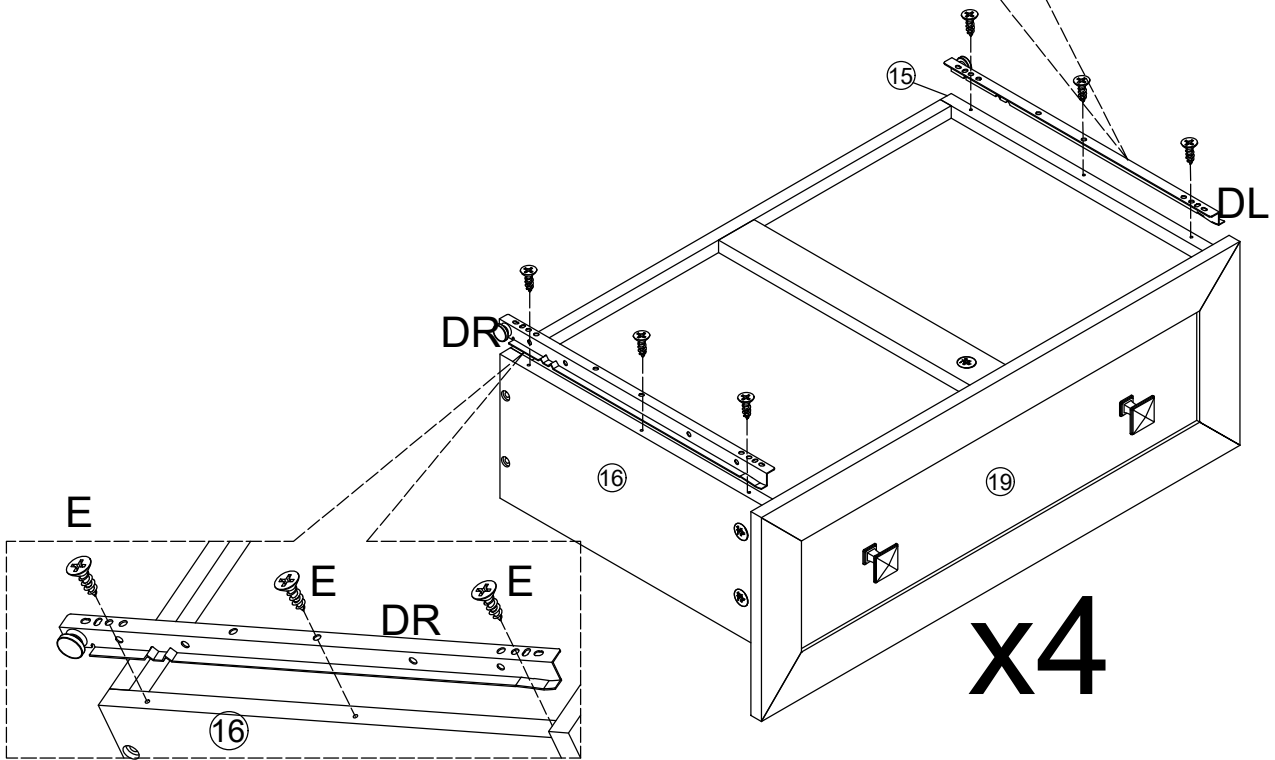
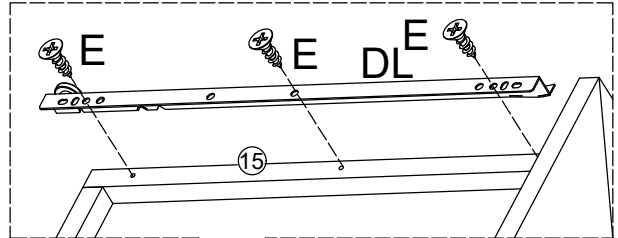
E x24
Ø3.5x12mm

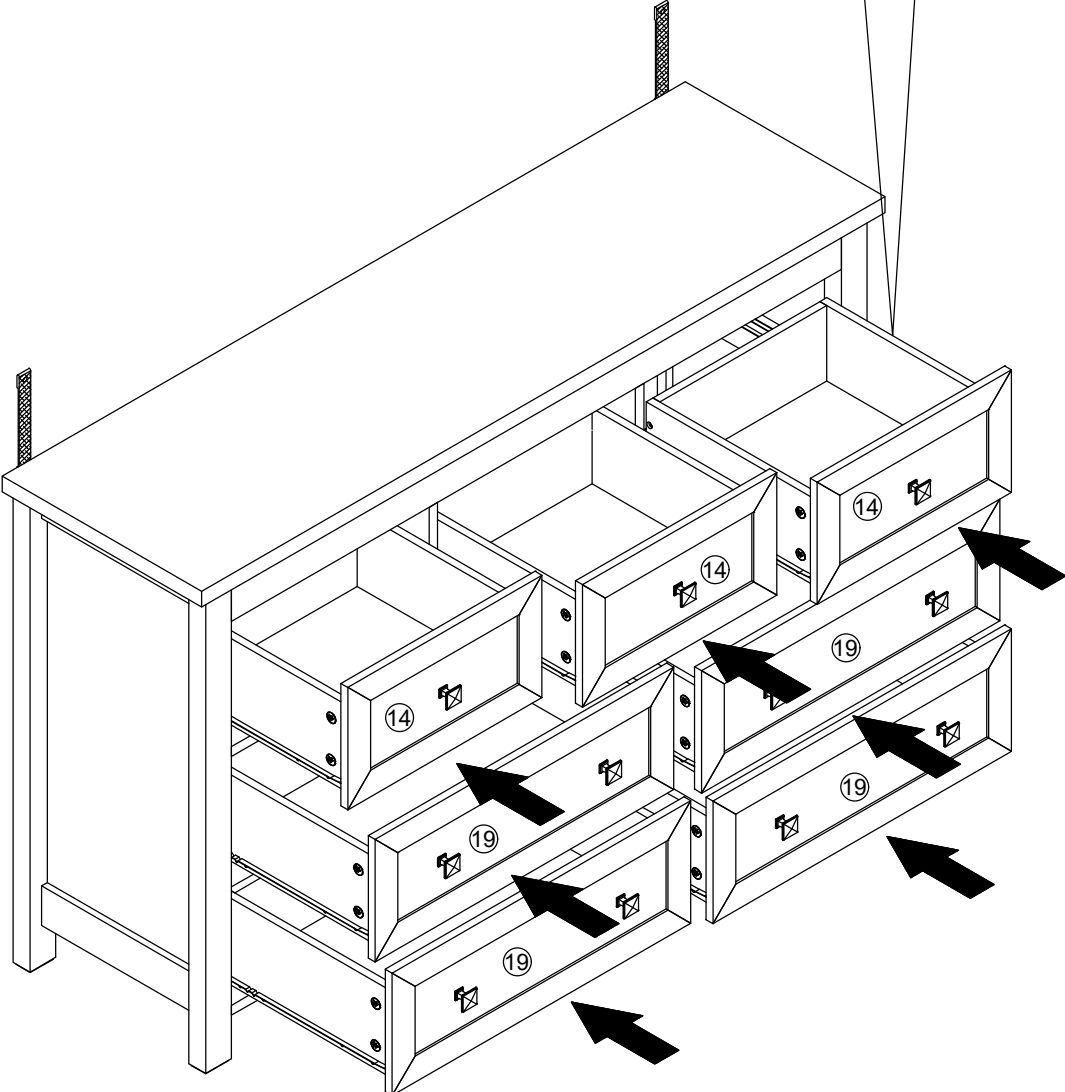
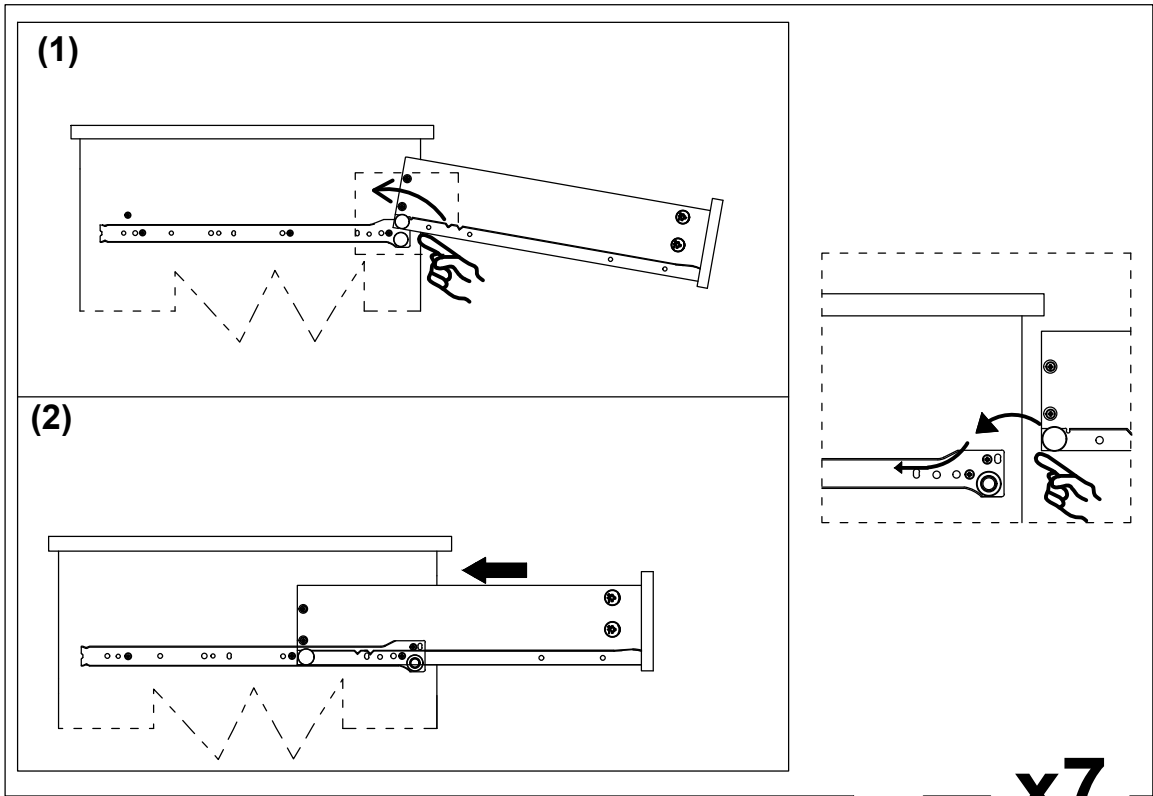


DL x4
L.300mm



DR x4
L.300mm





D x2
Ø4x35mm

N x2
Ø6x30mm

