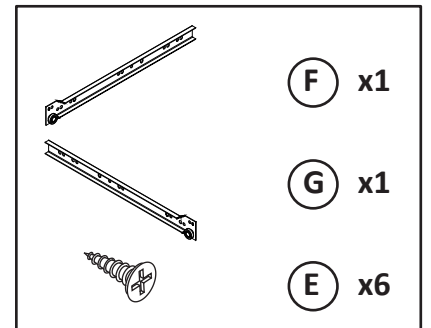
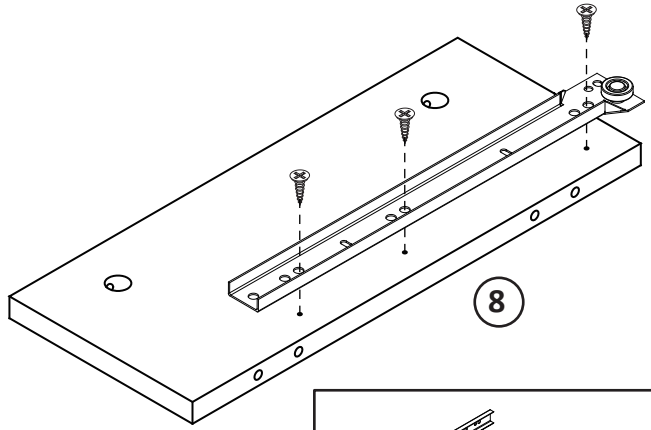
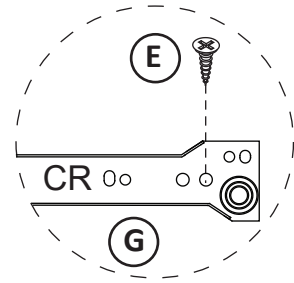
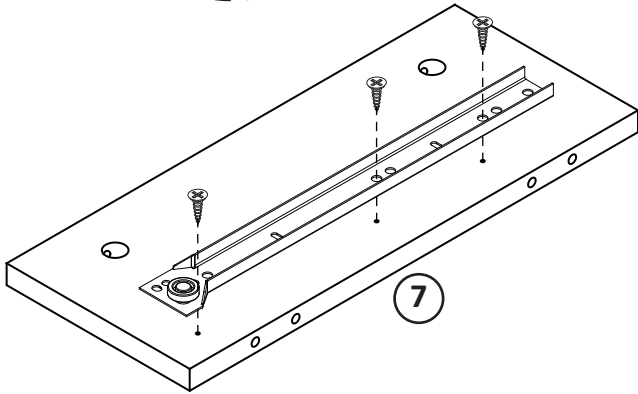
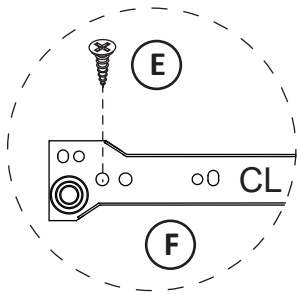
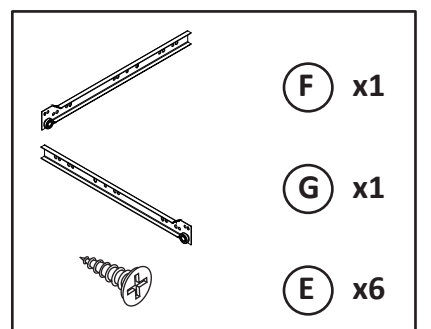
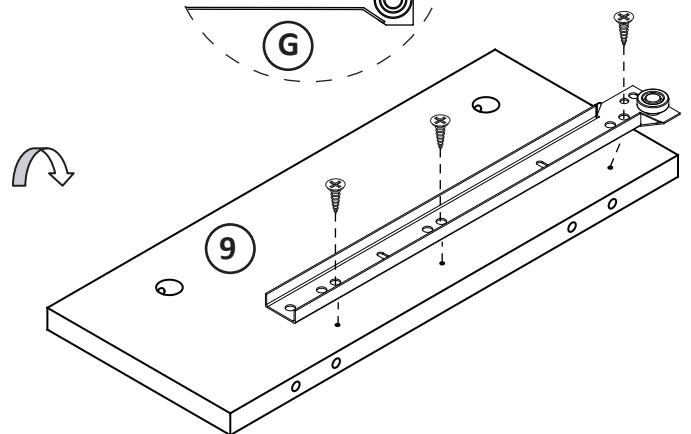
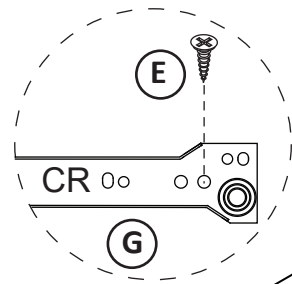
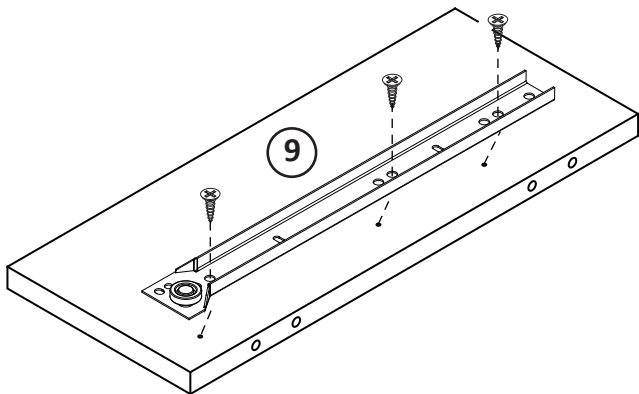
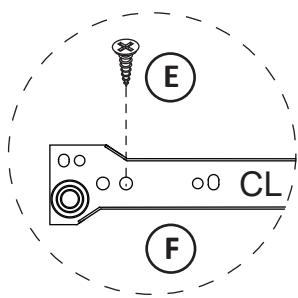


- | | | | | | |
|--|----------------|--|----------------|--|----------------|
| | (A) x12 | | (B) x14 | | (C) x14 |
| | (D) x14 | | (E) x24 | | (F) x2 |
| | (G) x2 | | (H) x2 | | (I) x2 |
| | (J) x33 | | (K) x2 | | (L) x8 |
| | (M) x2 | | (N) x2 | | (O) x2 |
| | (P) x2 | | (Q) x24 | | (R) x4 |
| | (S) x1 | | (T) x1 | | (U) x1 |
| | (V) x1 | | (W) x1 | | (X) x1 |
| | (Y) x4 | | (Z) x4 | | |

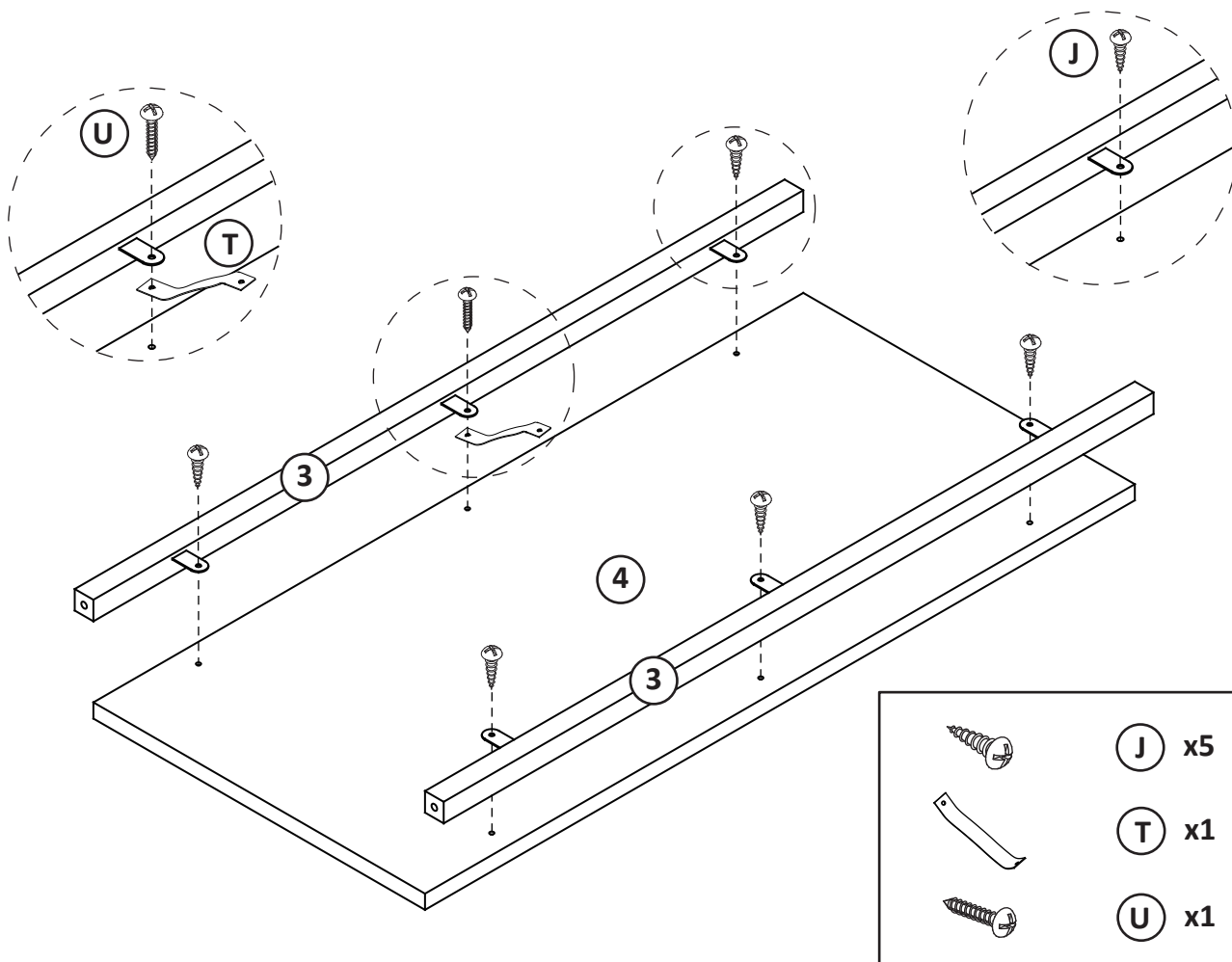
1 >



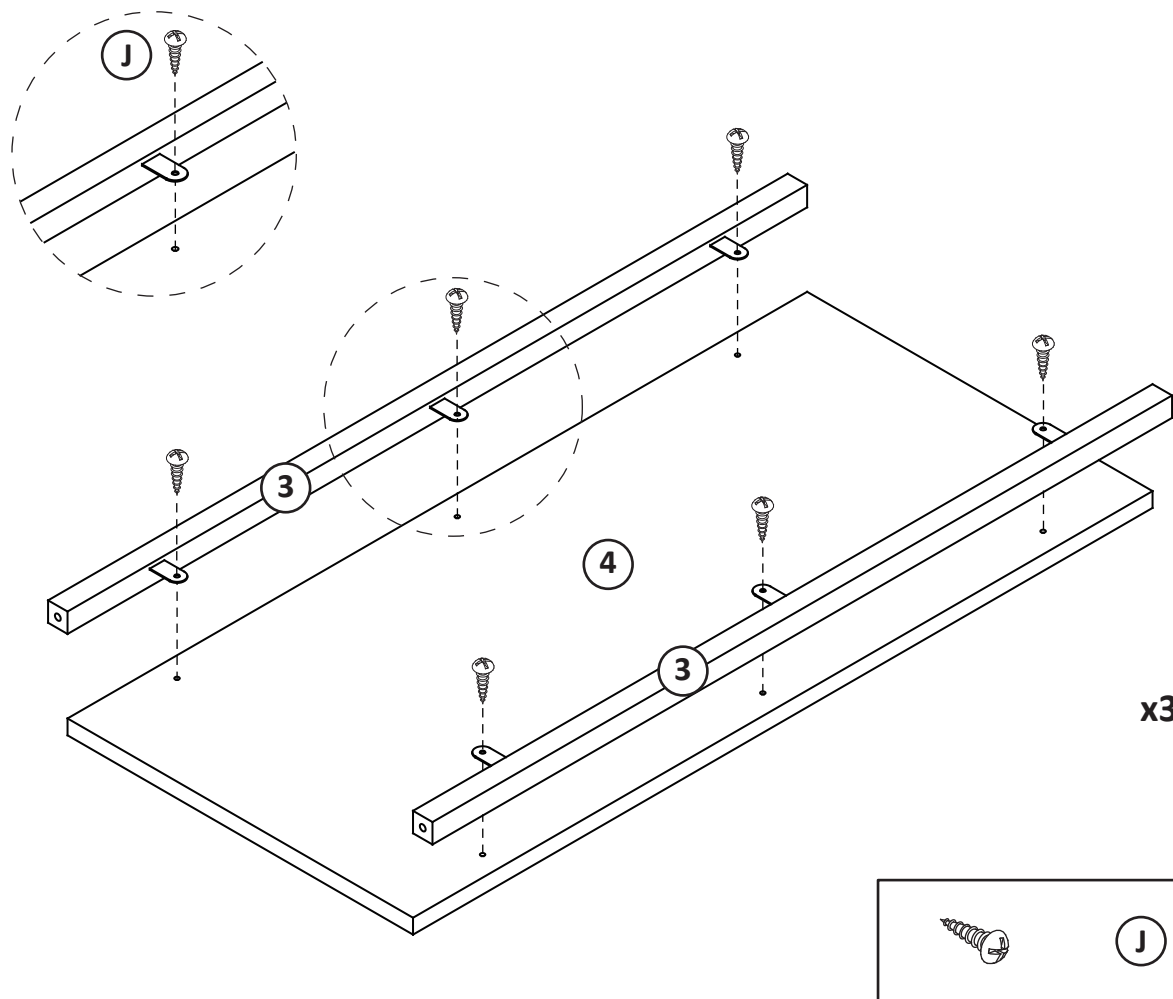
2 >



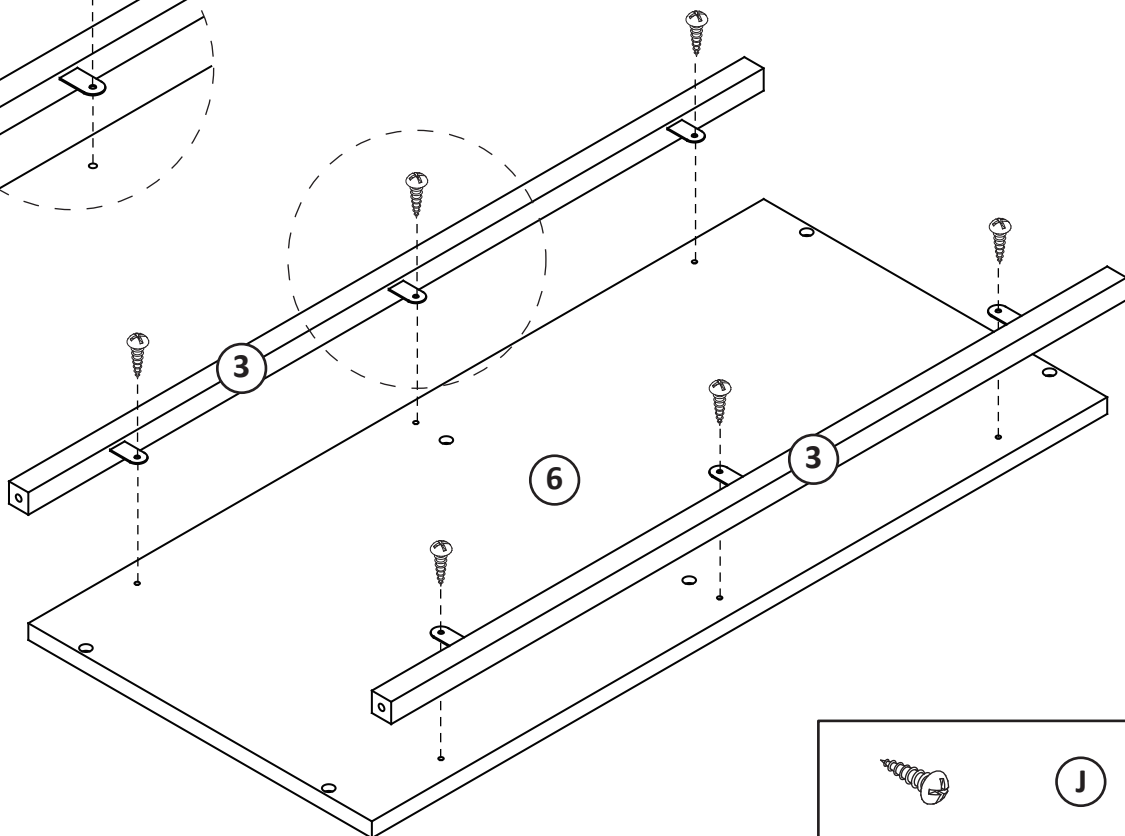
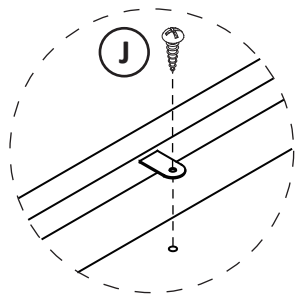
3 >



4 >

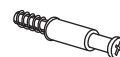
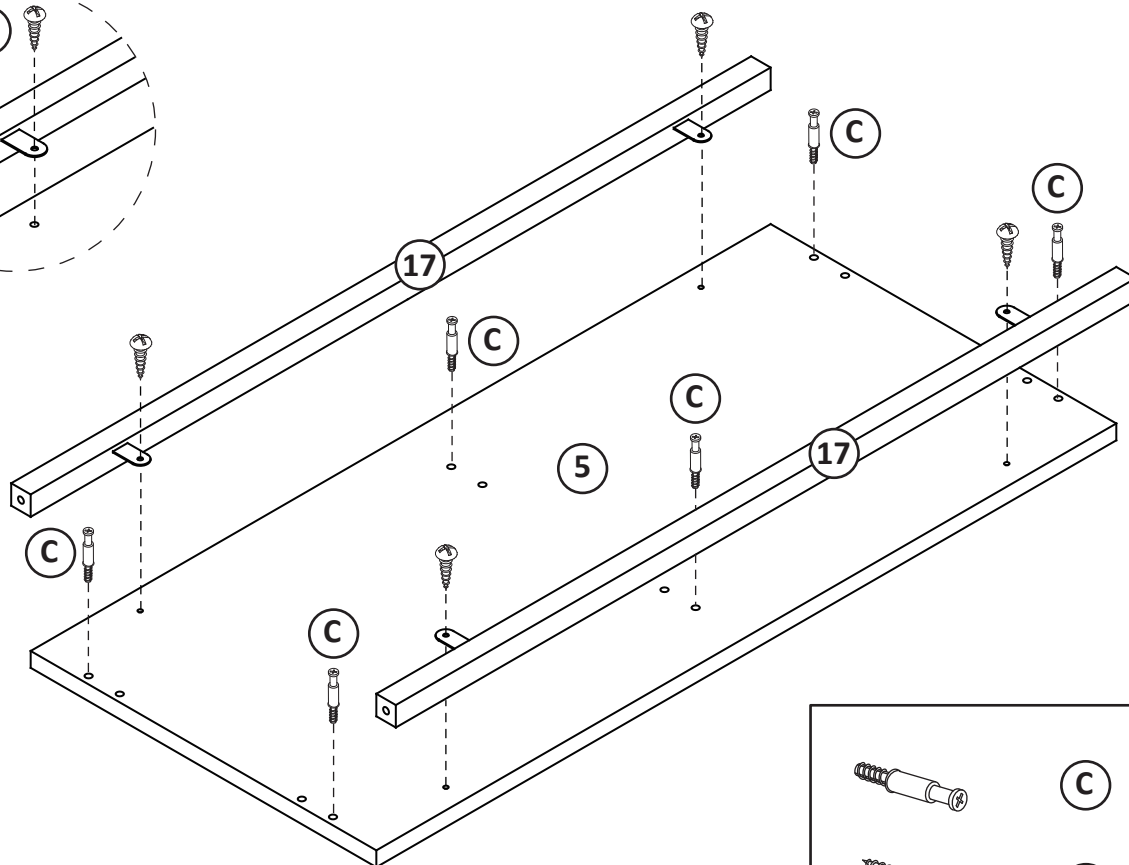
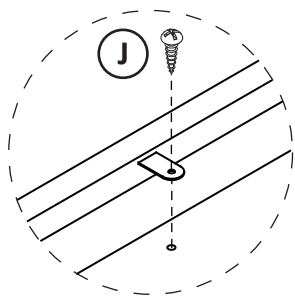


5 >



J x6

6 >

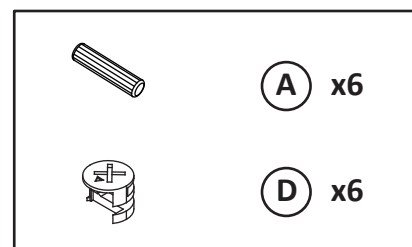
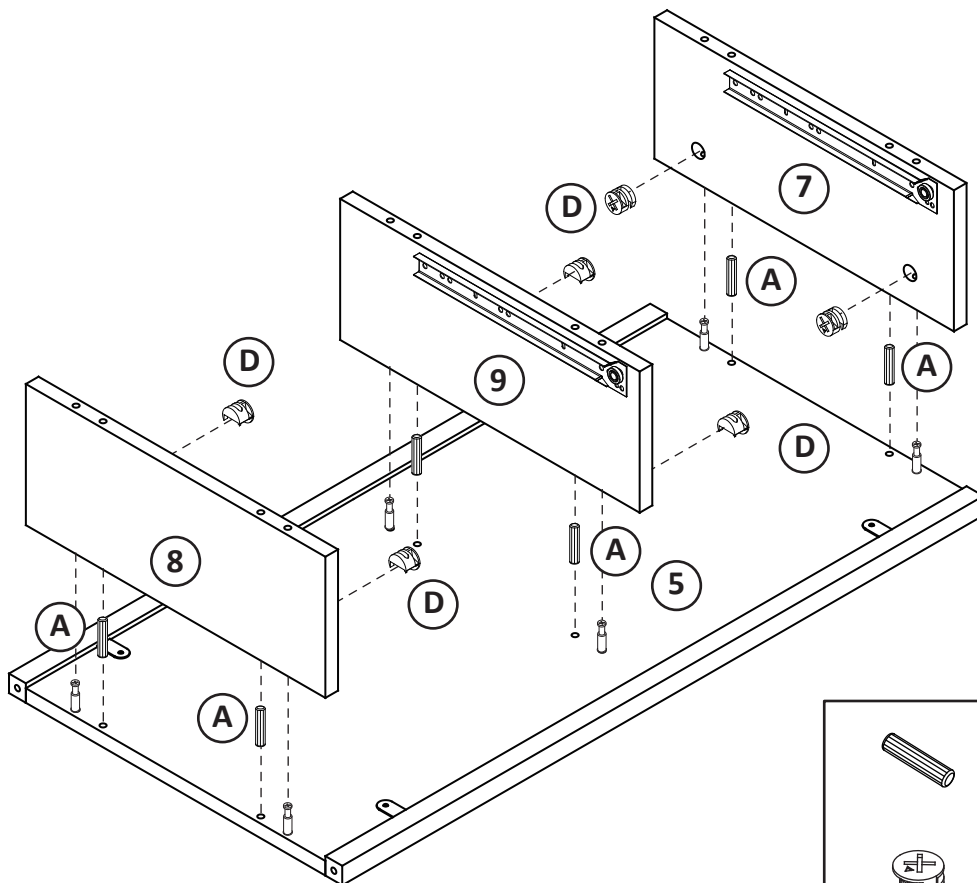


C x6

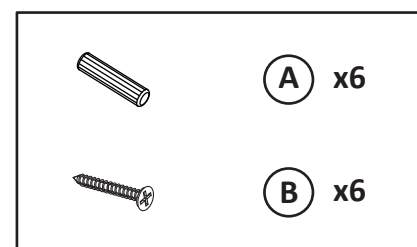
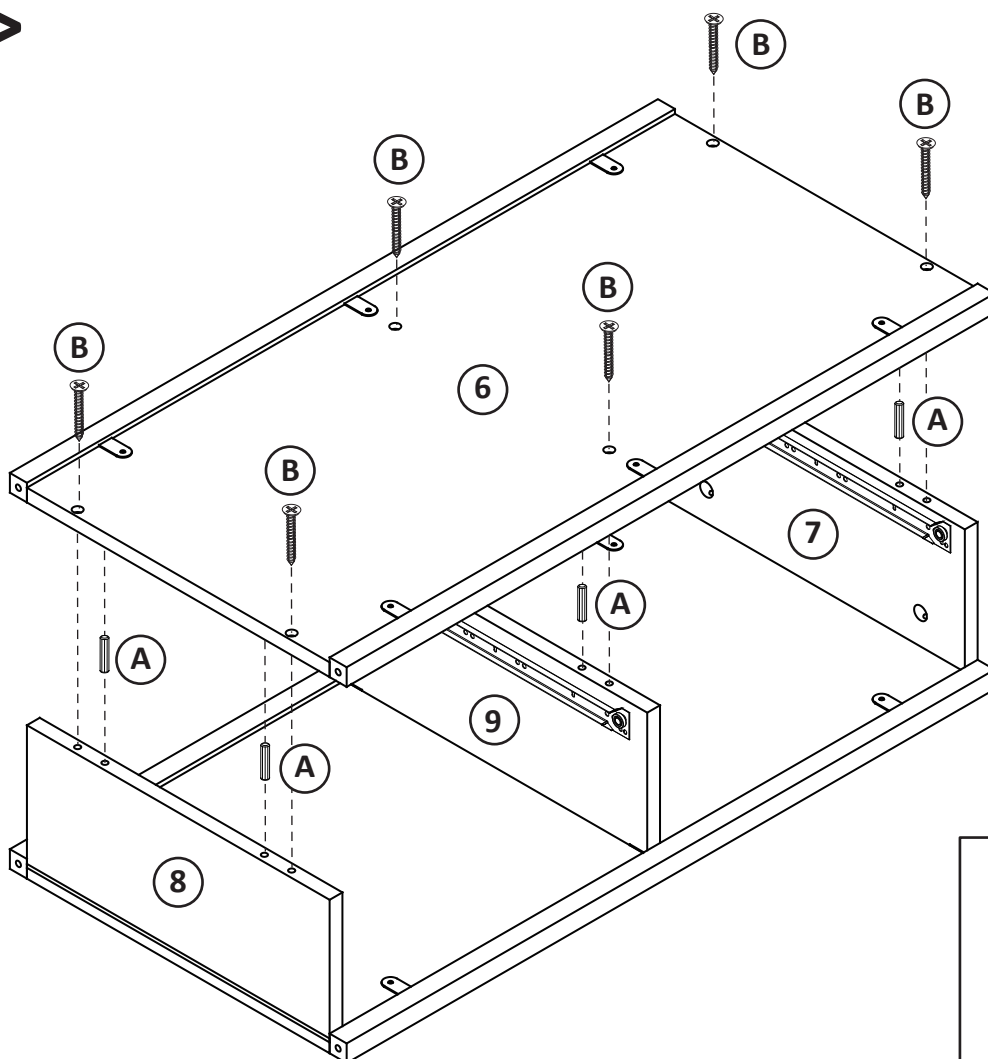


J x4

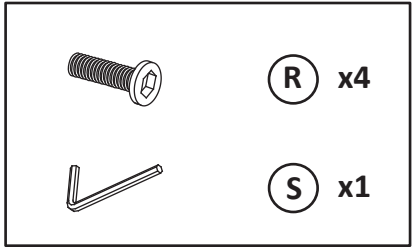
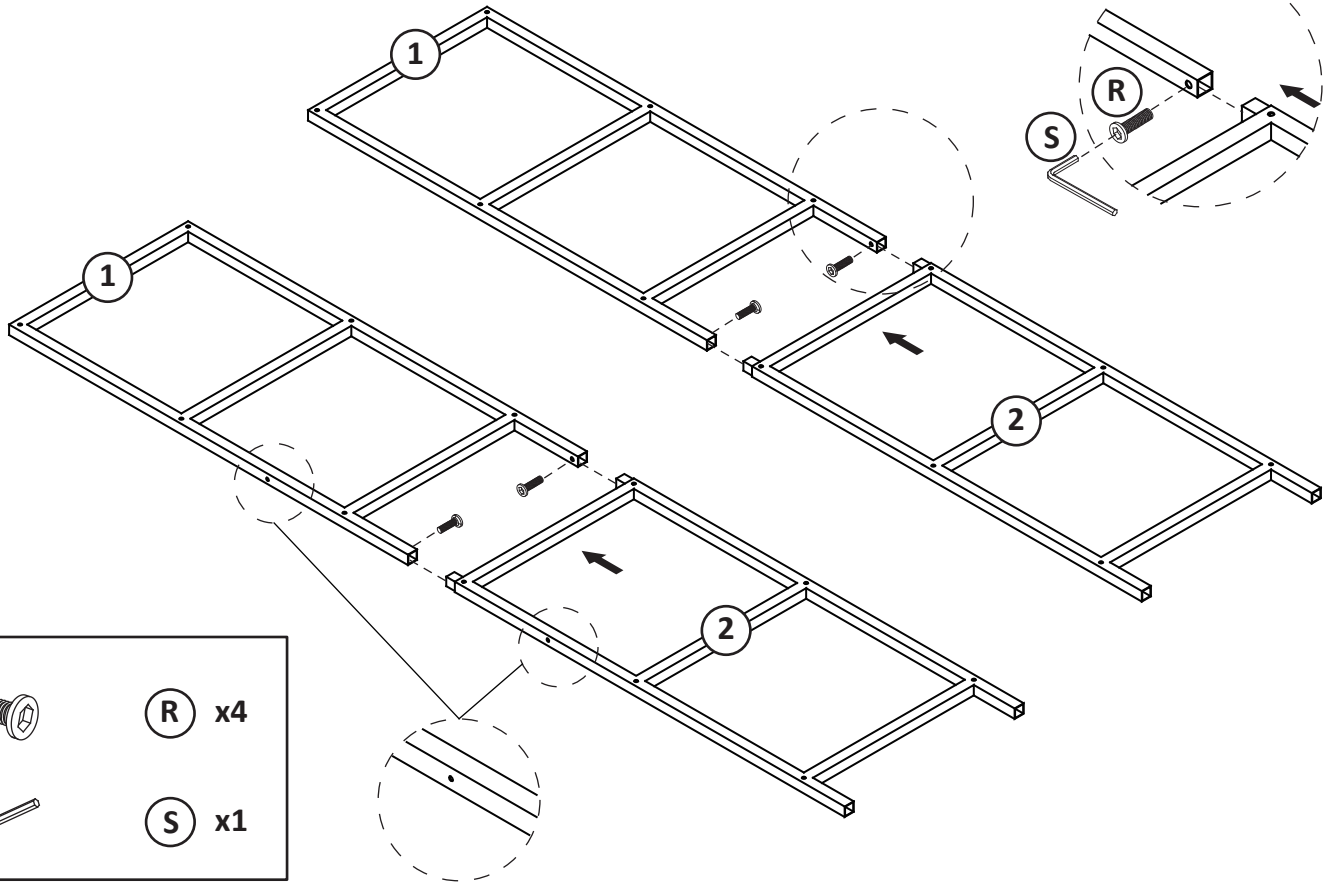
7 >



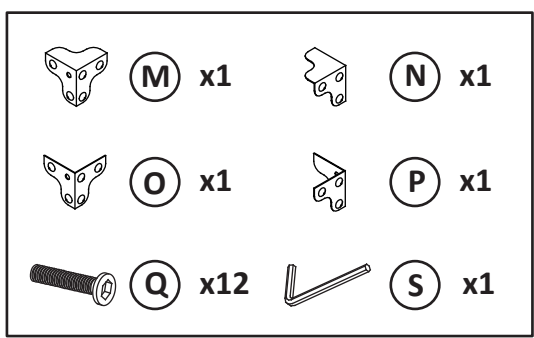
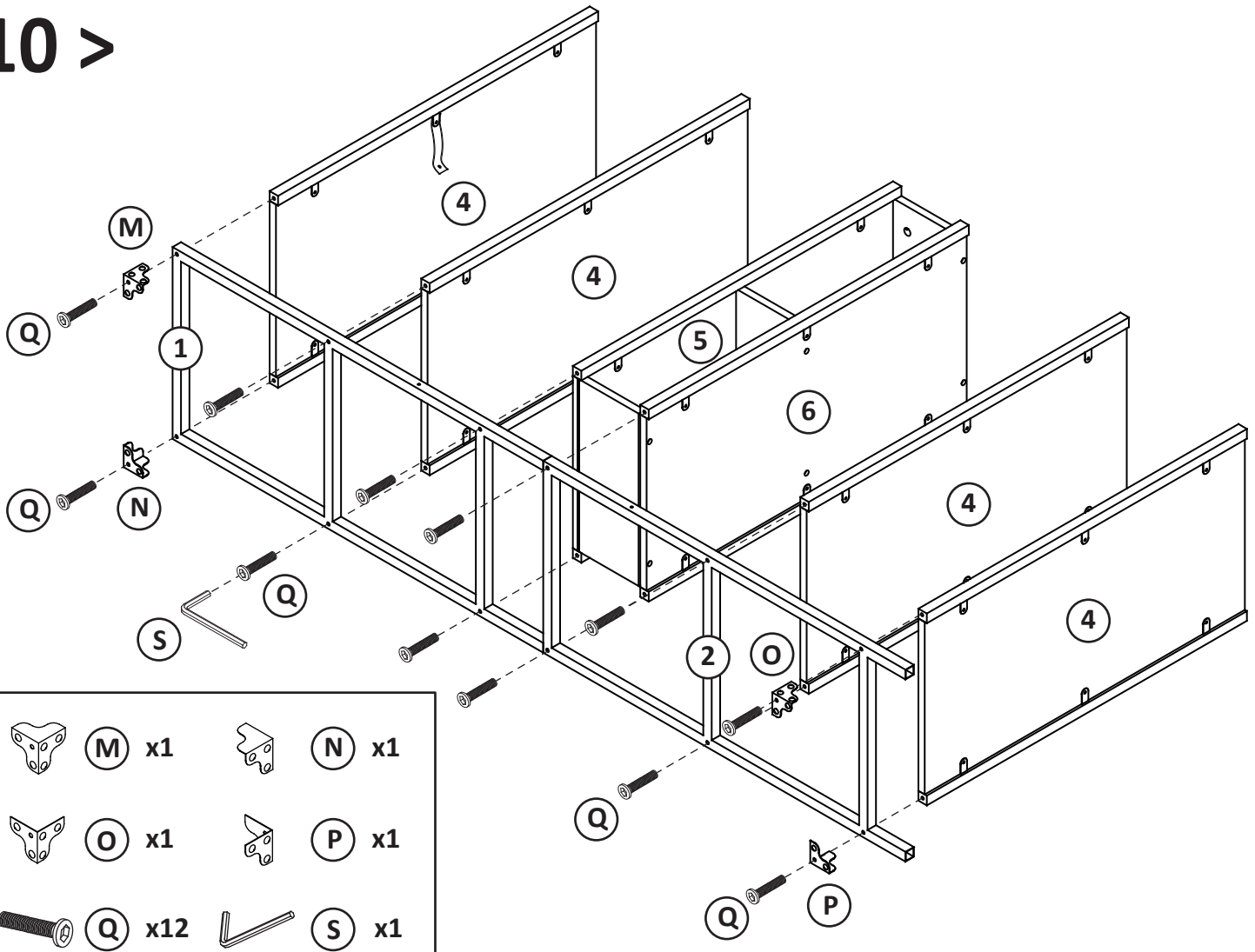
8 >



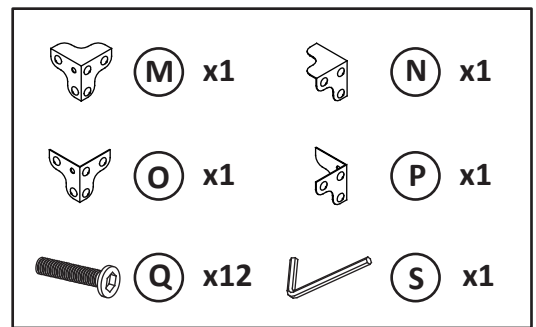
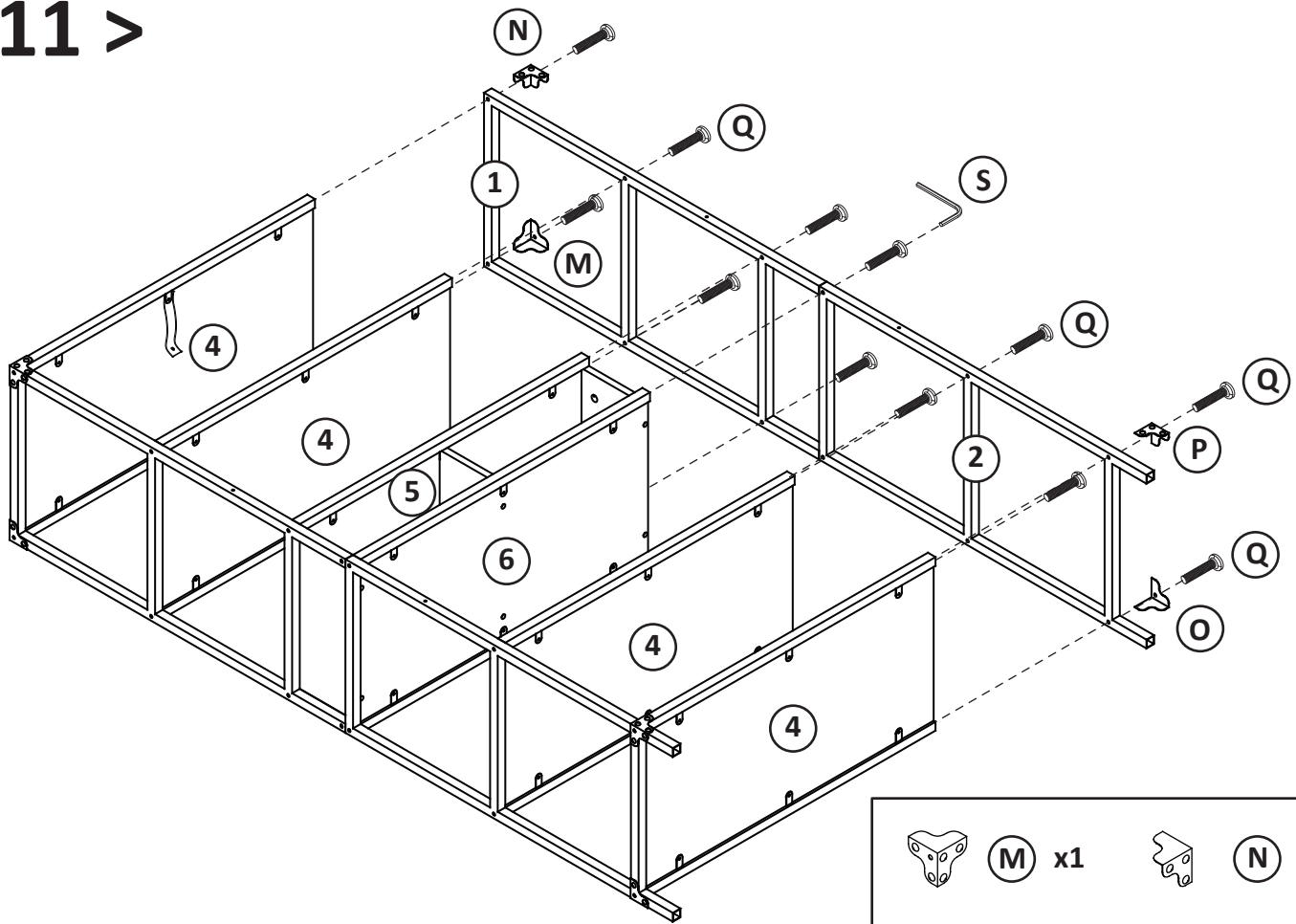
9 >



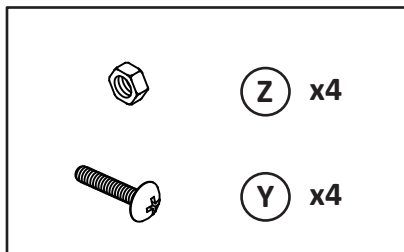
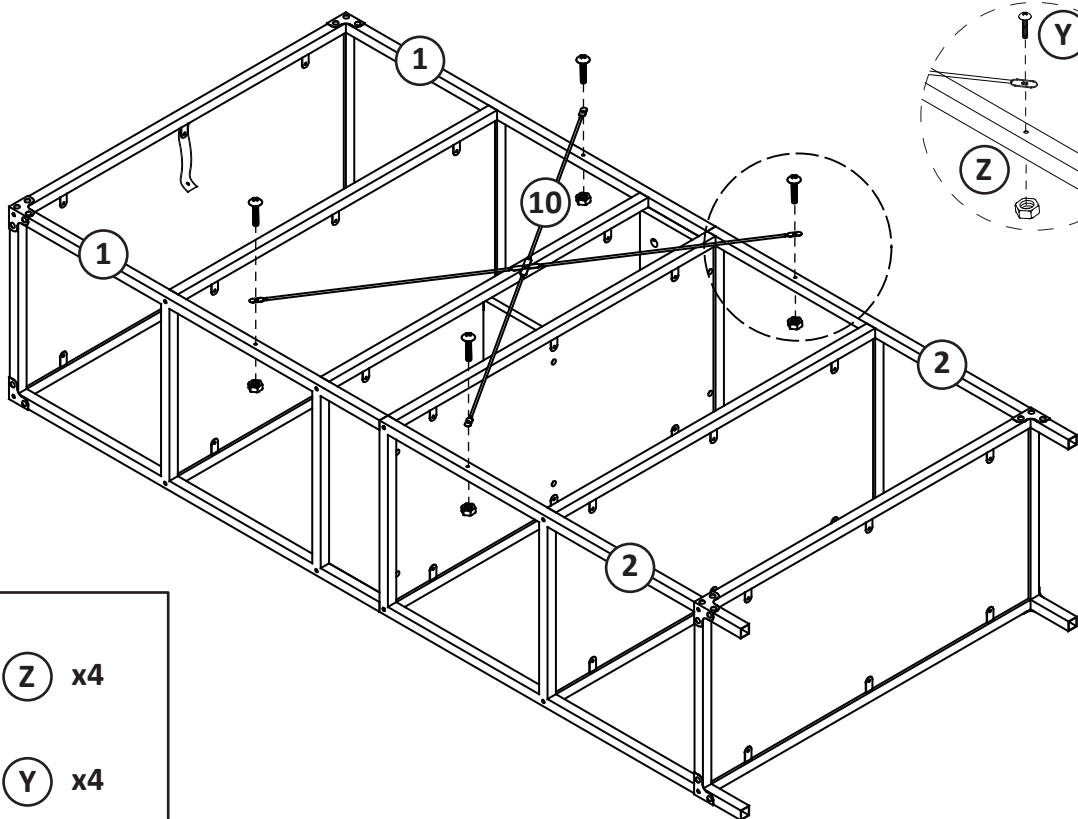
10 >



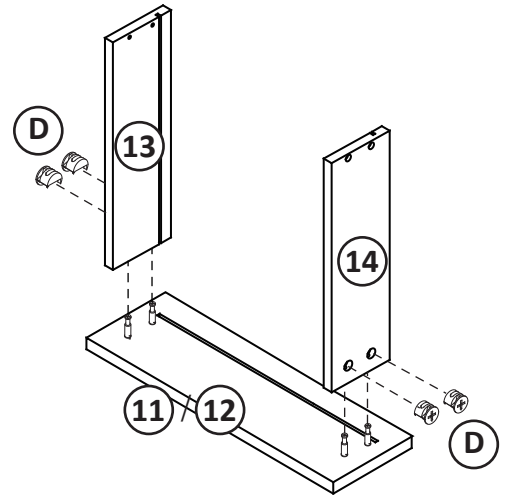
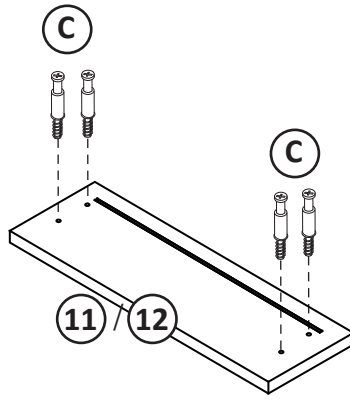
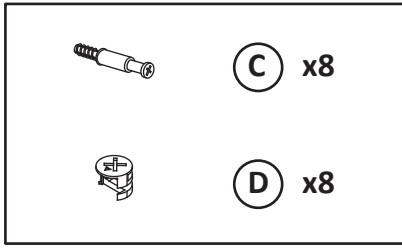
11 >



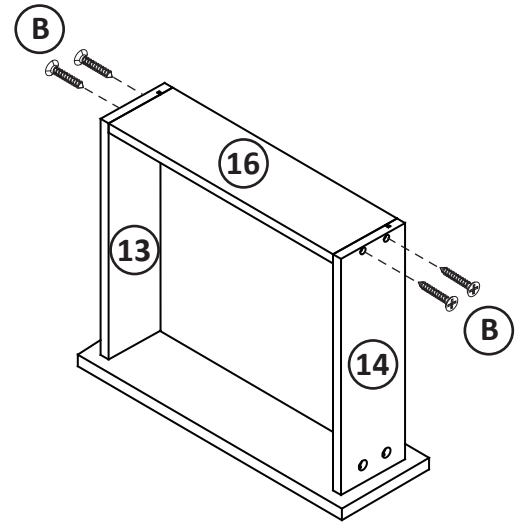
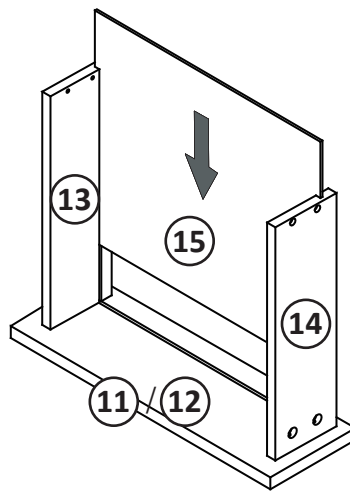
12 >



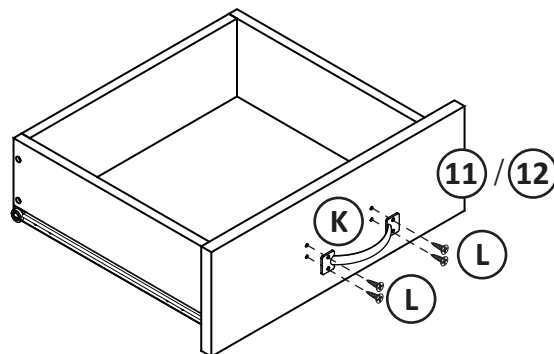
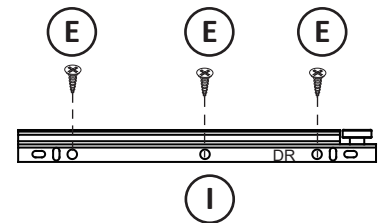
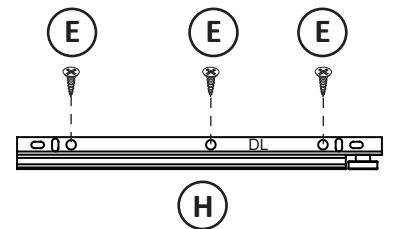
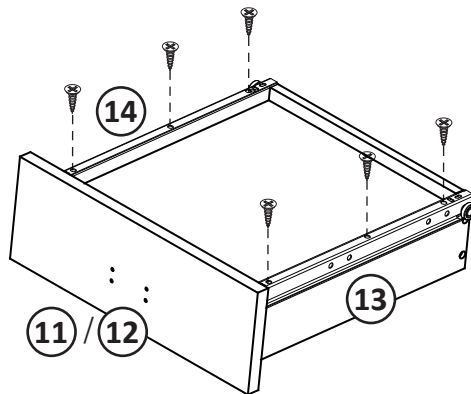
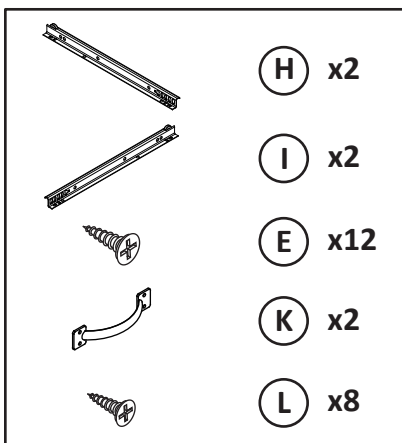
13 >



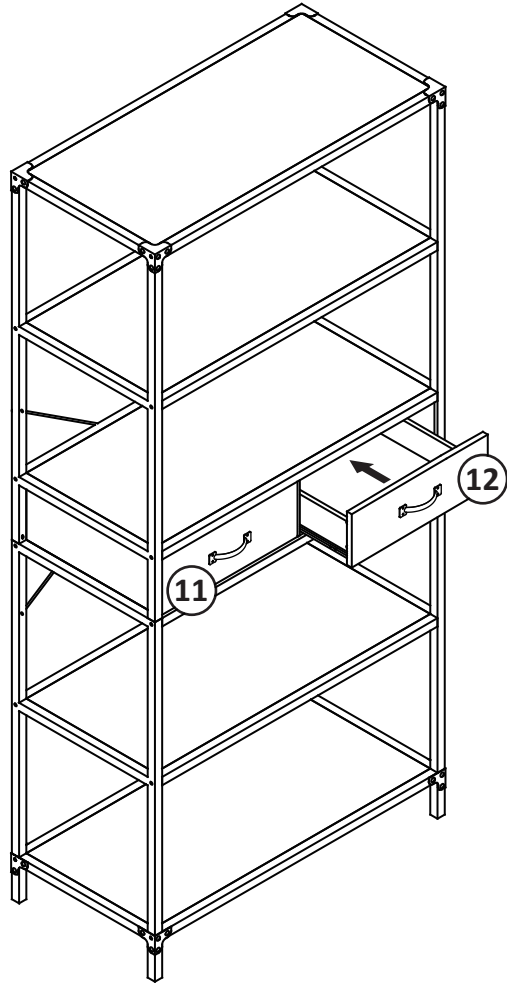
14 >



15 >



16 >



17 >

