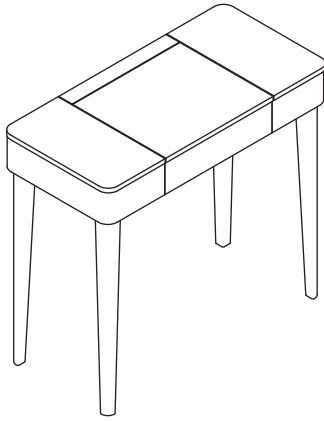
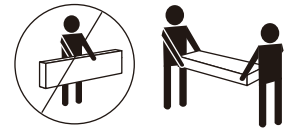


Assemble instruction for dressing table



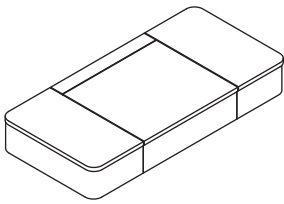
Two adults must be required. Before you begin, please follow Assembly Instruction step by step.



Maintenance

1. Avoid exposure to direct sunlight and heat sources.
2. Use mild furniture cleaner to clean the vanity.

PARTS LIST



1 1 PC



2 4 PCS



3 8 PCS



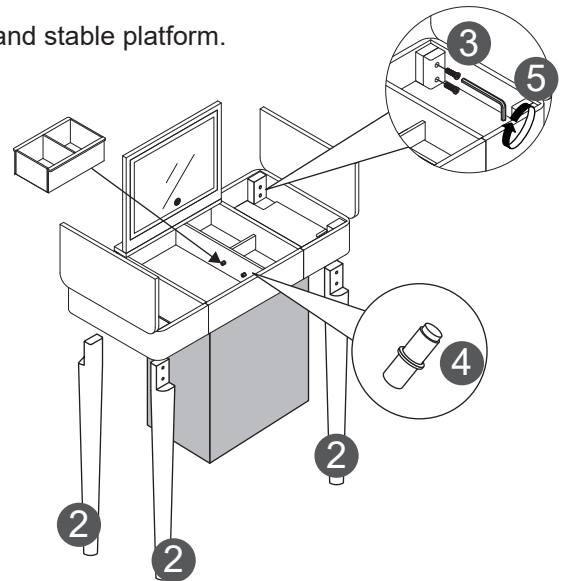
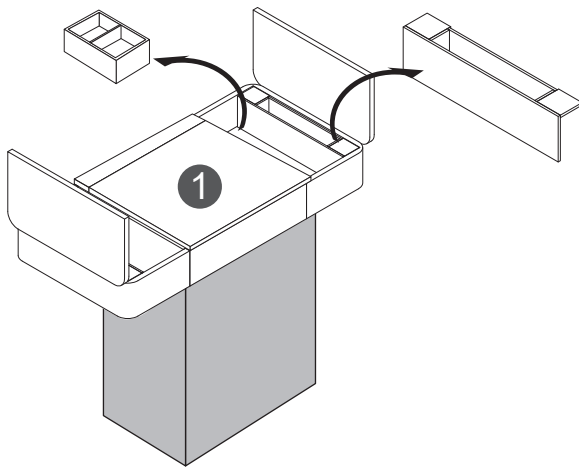
4 4 PCS



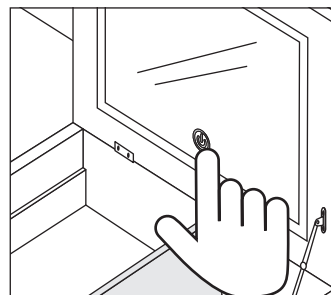
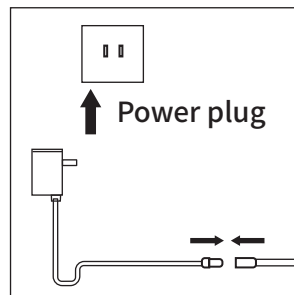
5 1 PC

INSTALLATION

When installing the legs, the table top needs to be placed on a smooth and stable platform.



INSTRUCTIONS FOR THE OPERATION OF THE STRIP LIGHT



- Touch to turn on the light and switch different colors.
- Press and hold to adjust the brightness.