


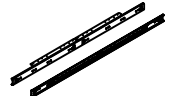
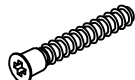
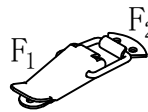
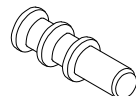

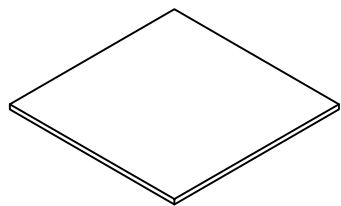


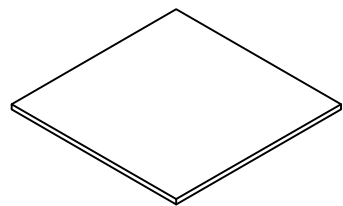
<p>A</p>  <p>20PCS</p>	<p>B</p>  <p>20PCS</p>	<p>C</p> <p>3.5*14</p>  <p>64PCS</p>	<p>D</p>  <p>1PCS</p>	<p>E</p> <p>7*50</p>  <p>16PCS</p>	<p>F</p>  <p>6PCS</p>	<p>G</p>  <p>12PCS</p>	<p>H</p> <p>8*30</p>  <p>16PCS</p>
---	---	---	--	--	--	---	---

1



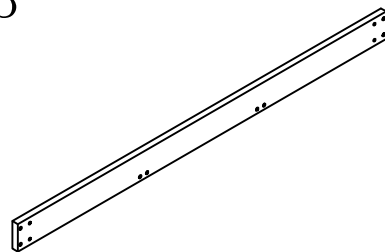
900*900 1PS

2



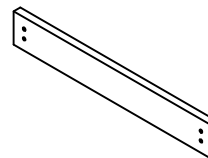
900*900 1PS

3



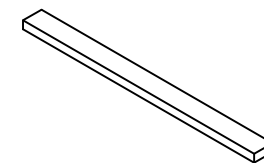
1700*110 2PS

4



750*110 2PS

5



750*60 2PS

6



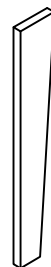
733*95 2PS

7



733*95 2PS

8



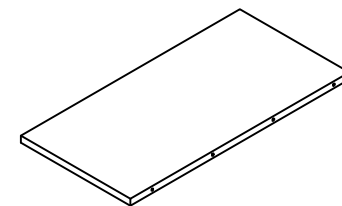
733*120 2PS

9



733*120 2PS

10



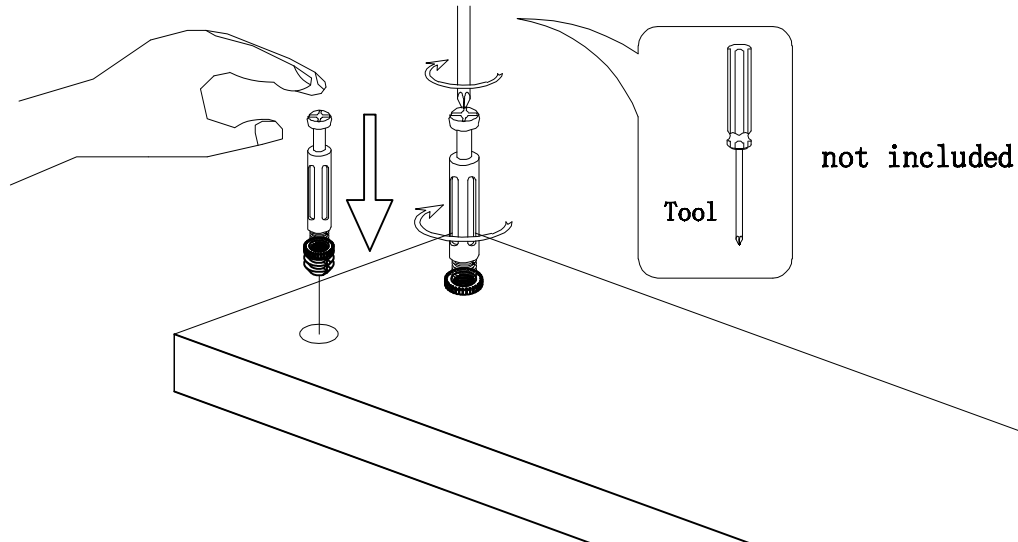
900*450 2PS



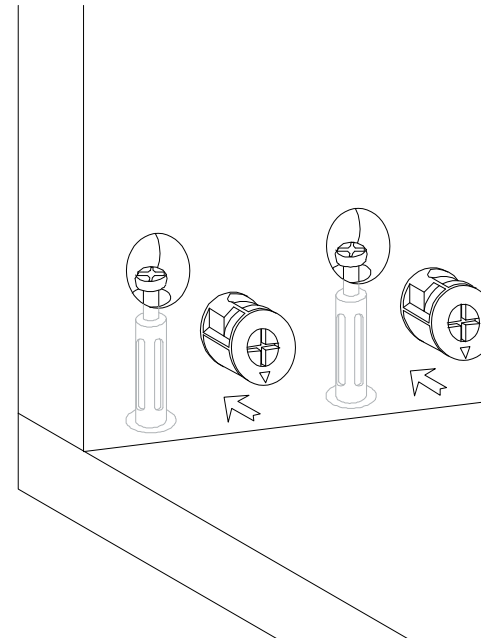
Hardware installation demonstration

NOTE: Please make sure "A" hardware tightened and can't be pulled out!

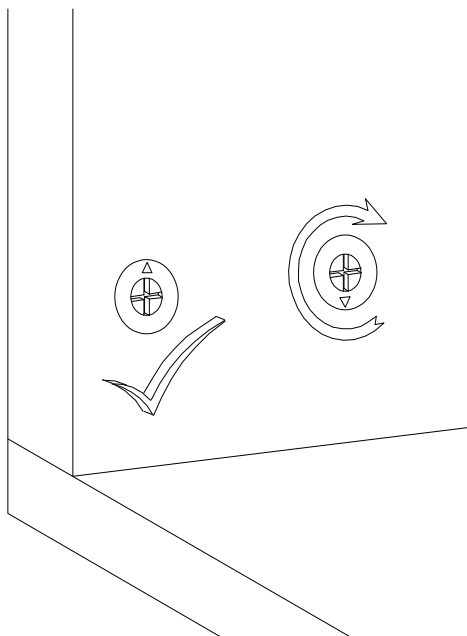
I



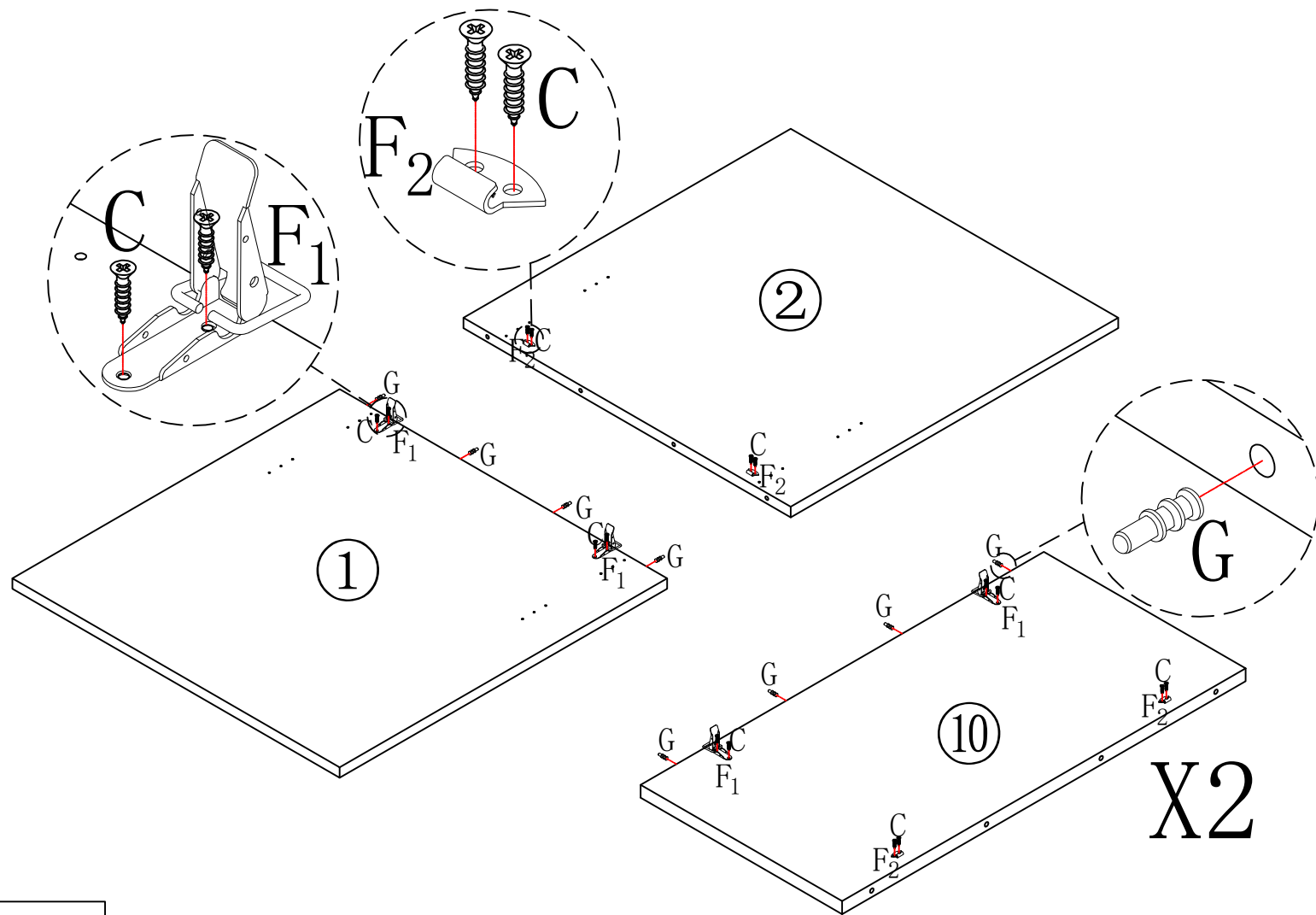
II



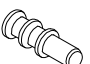


III

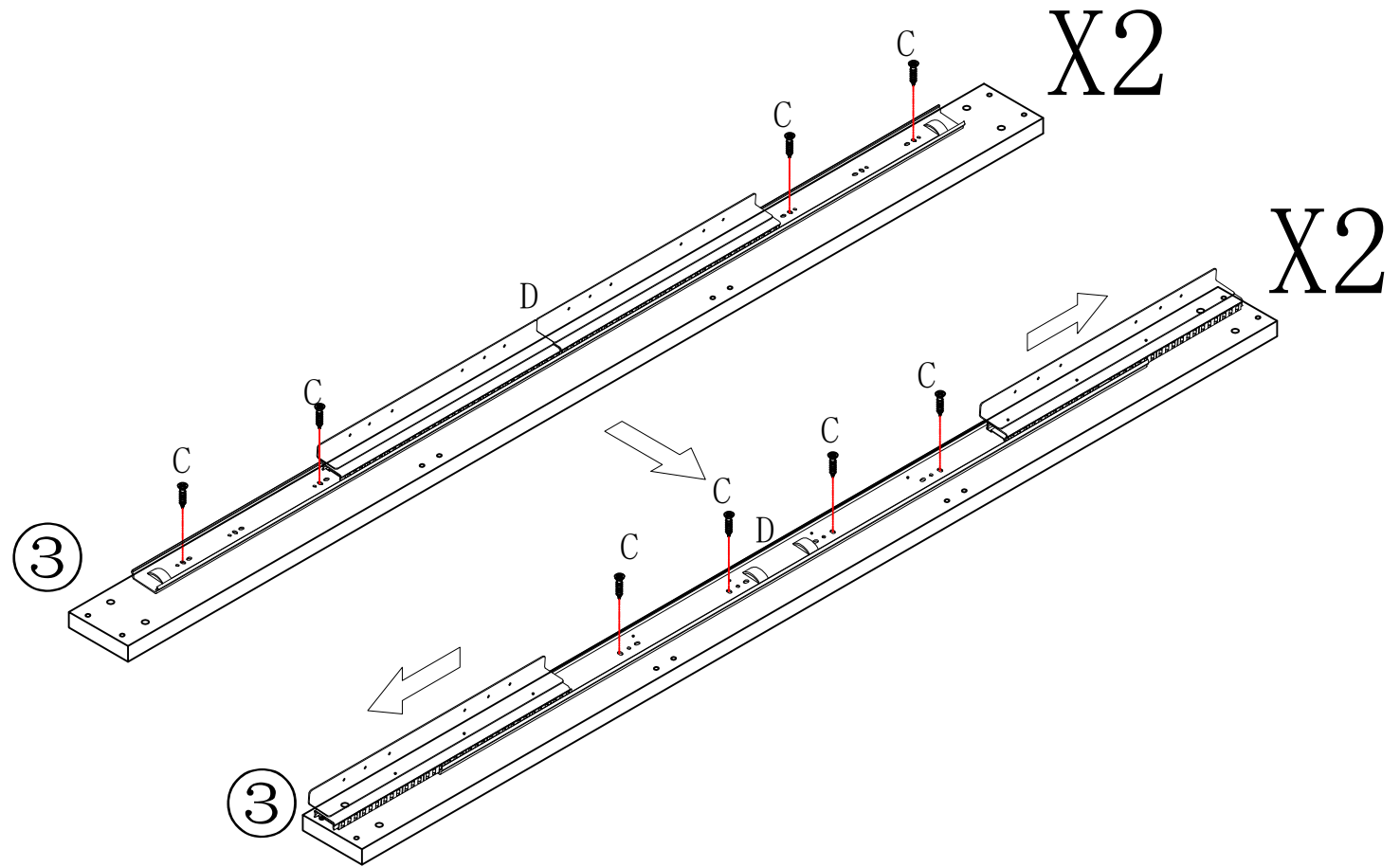




1



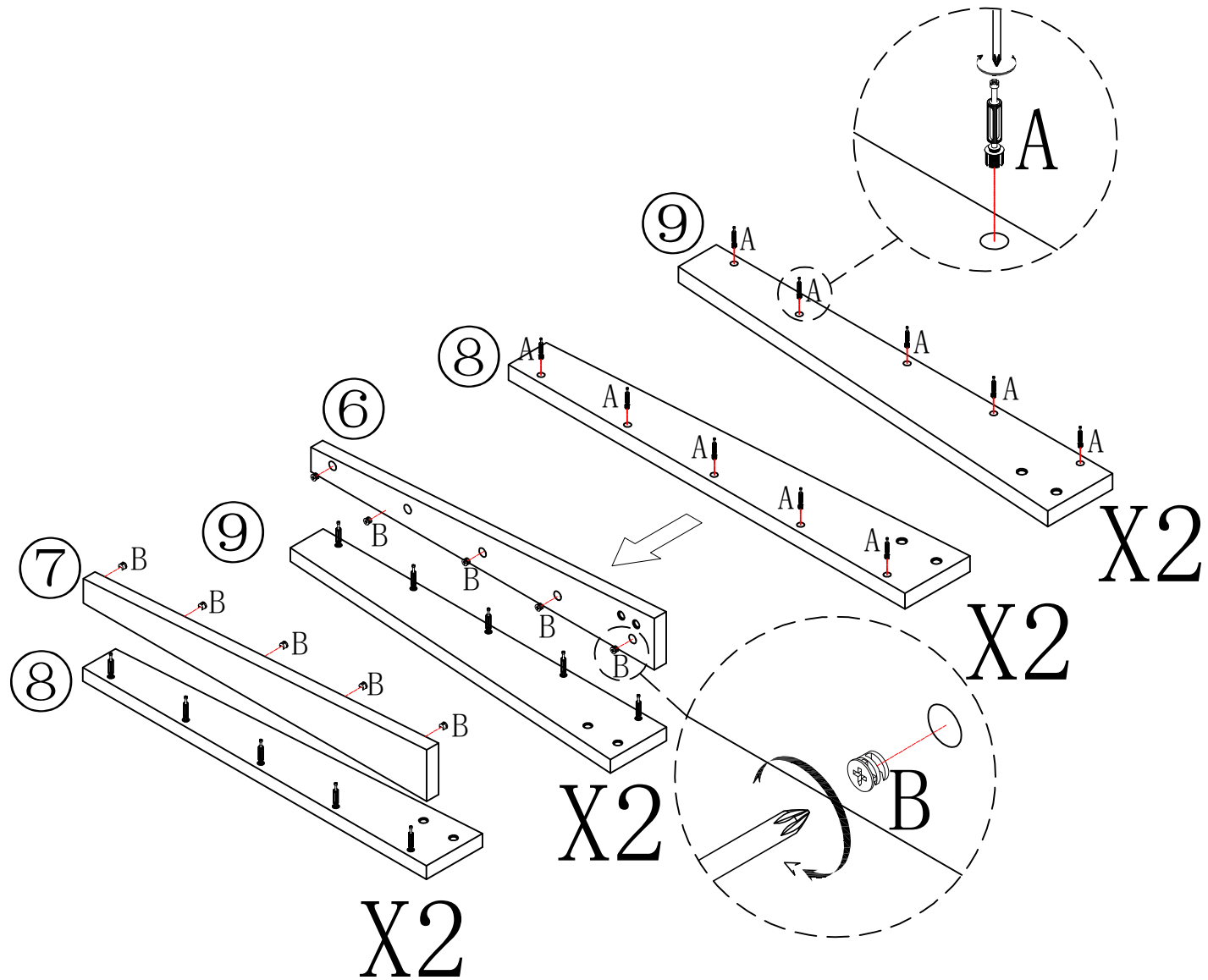
	C*24
	F*6
	G*12

②



	C*16
	D*1



3



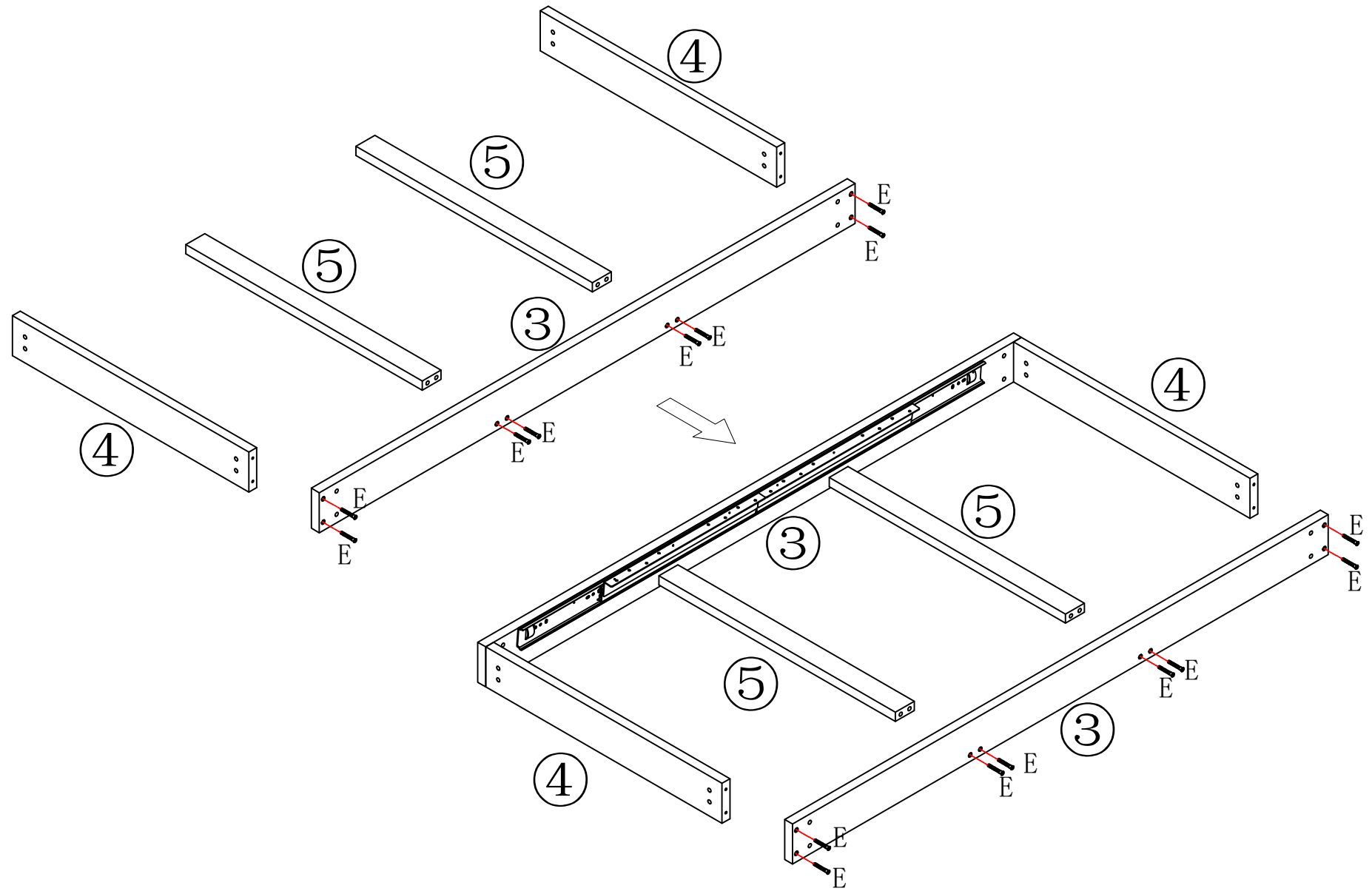
Make sure the arrow on the screw align to the hole on the side.


put A on board ⑧ ⑨

put B on board ⑥ ⑦

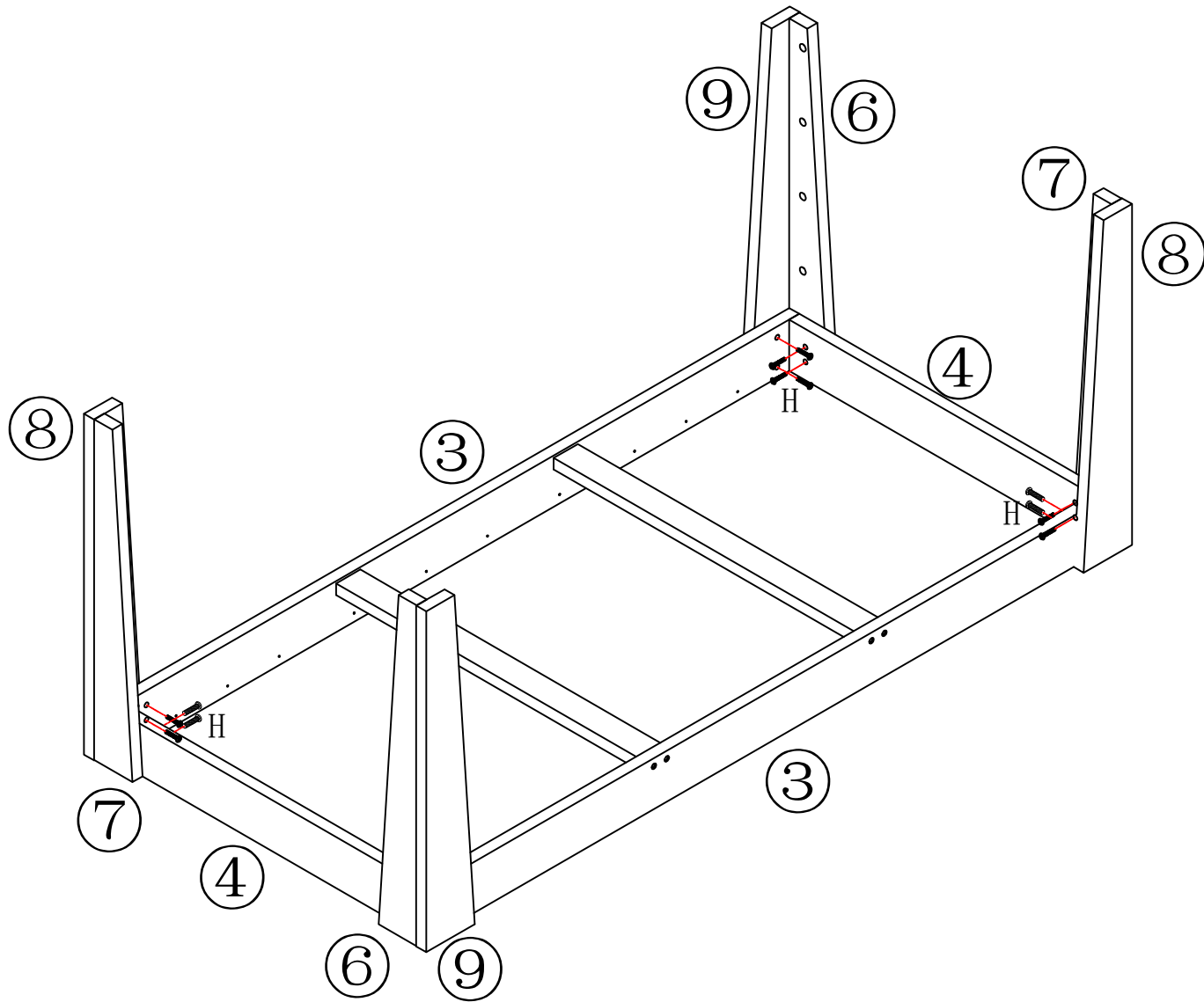
	A*20
	B*20

4



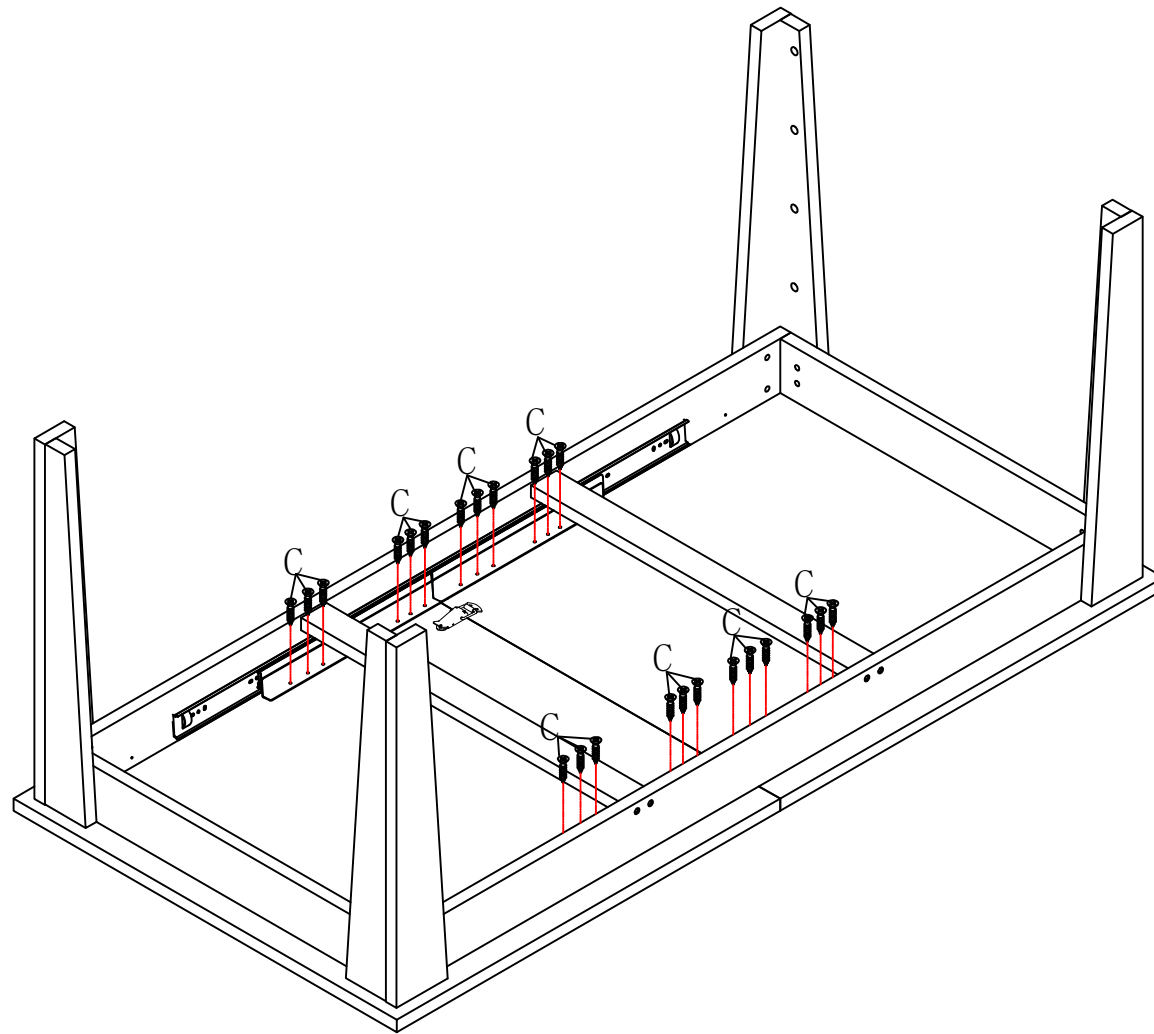
	E*16
---	------

5



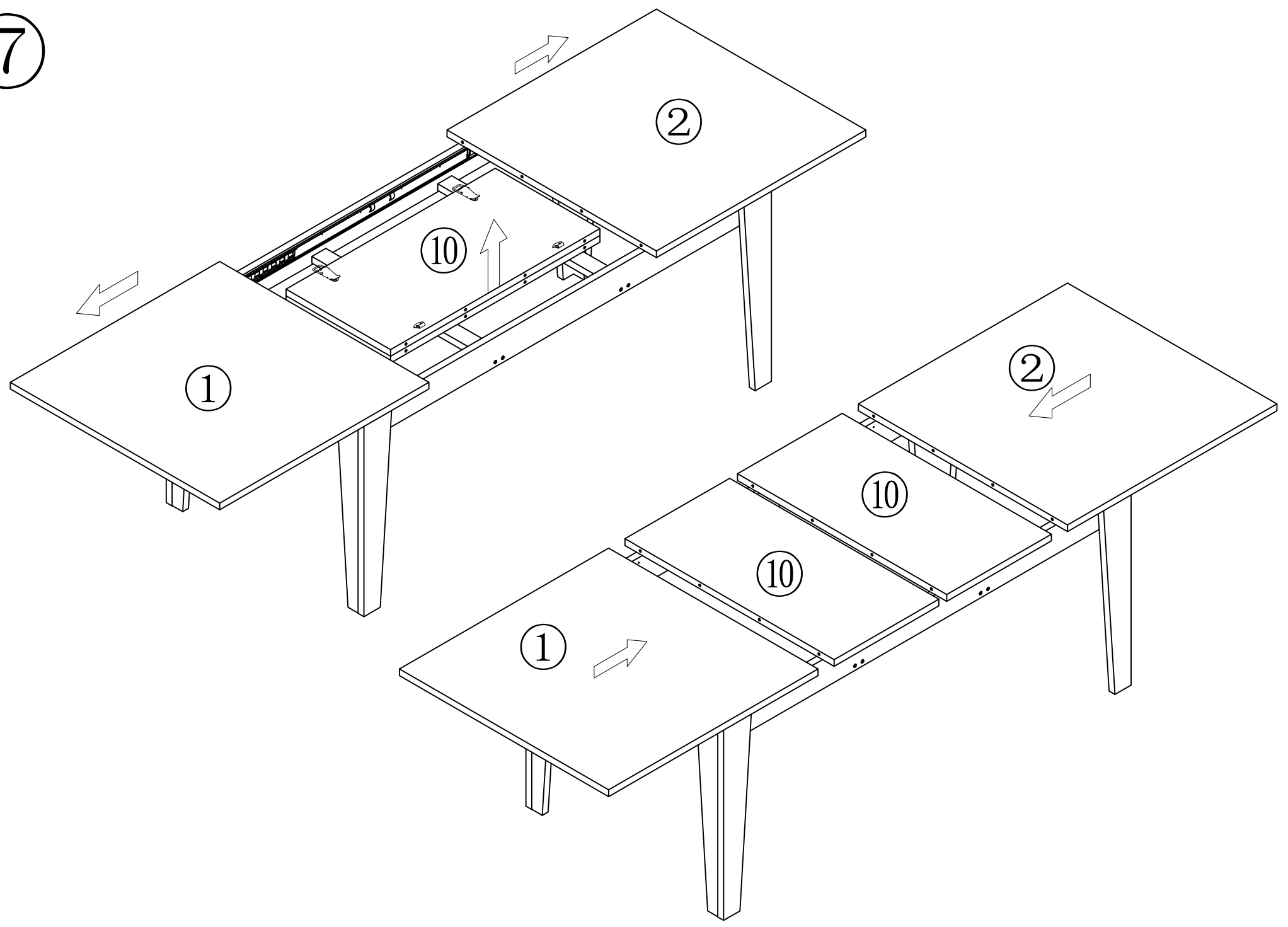
H*16

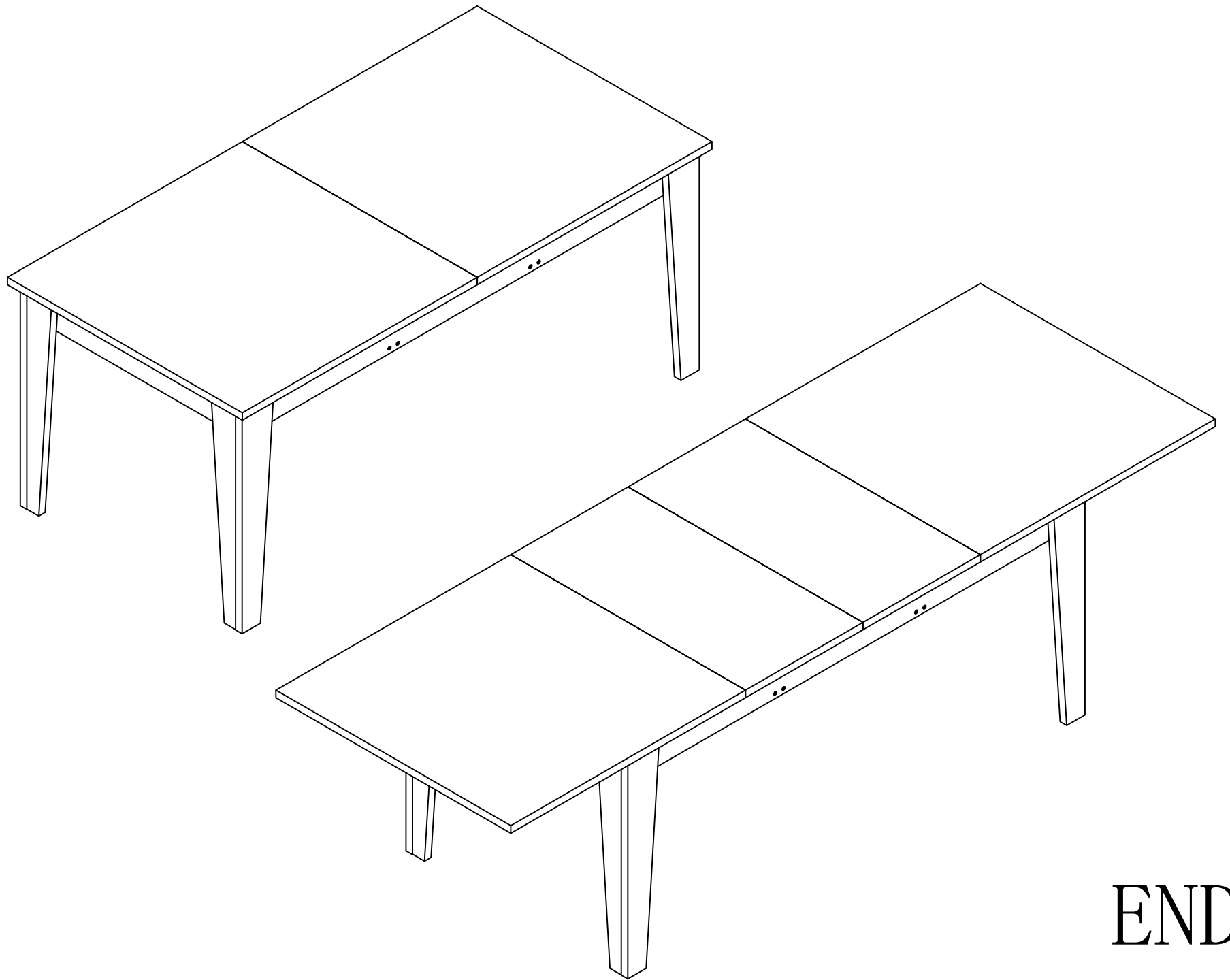
6



C*24

7





END