

## ITEM NO. OFM1698

**Thank You For Choosing Our Furniture**

▾ If you have any questions or concerns,  
don't hesitate to reach out to us. ▾

### **NOTE:**

This brochure contains  
**IMPORTANT** safety info.  
Please read and keep it  
for future reference.



**ITEM NO. OFM1698**

---



Per Seat Weight Limitation

**300 LBS**



Installation:  
15minutes.









One Person

# MAINTAINANCE AND WARNINGS



## Before You Start

*Please follow the steps below:*

-  **Un box the package and check if all parts and accessories are complete.**
-  **Place the parts of the chair on a flat surface.**
-  **Ensure the chair is placed on a stable, flat surface to prevent it from tilting.**
-  **Avoid placing sharp or heavy objects directly on the chair to prevent tears or deformation.**
-  **Clean the installation area in advance and ensure the ground is level and there is enough space to avoid damaging the furniture or making installation difficult.**
-  **Lay a protective mat on the ground to prevent scratching the floor during installation.**

### After-Sales Service

- **If you encounter any issues or need technical support during use, please contact our after-sales team. We offer long-term maintenance and warranty services.**



## Precautions

- ⚠ This product is for indoor use only. Do not expose it to outdoor elements or high-humidity environments.
- ⚠ Keep the product away from high heat or open flames to prevent fire hazards.
- ⚠ Do not allow children to climb on the product, as this may cause tipping and result in personal injury.



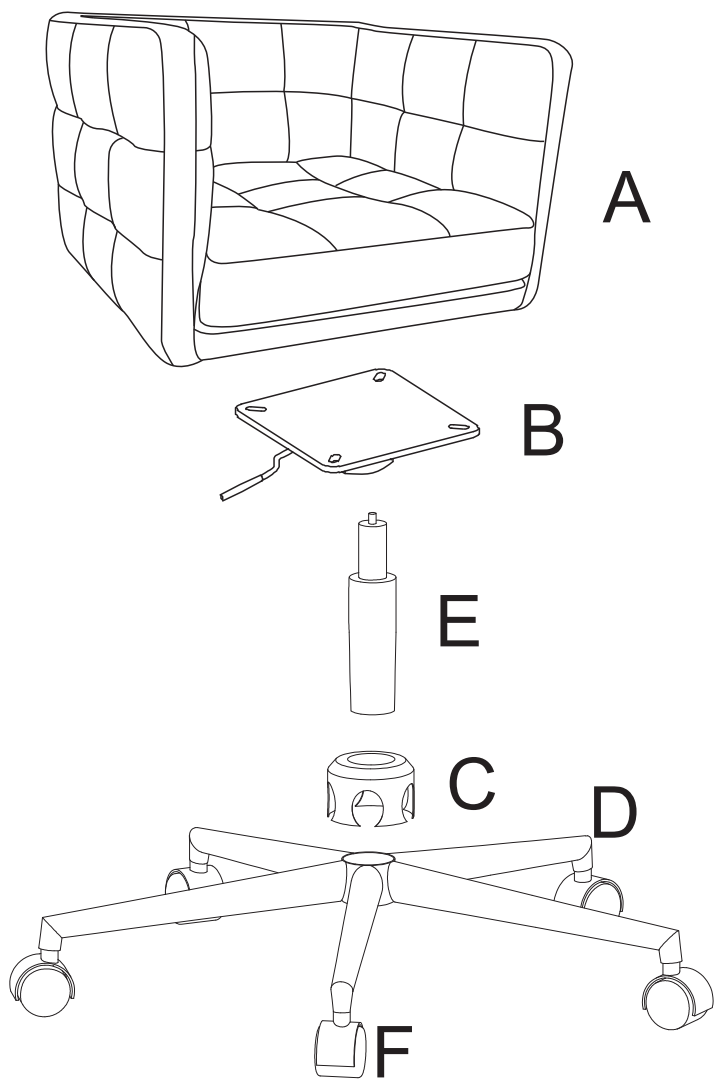
## Safety Warnings

- ⚠ If you notice any loose or damaged parts, stop using the product immediately and contact customer service.
- ⚠ Do not attempt to disassemble or replace any components yourself, as this may affect the stability and safety of the product.

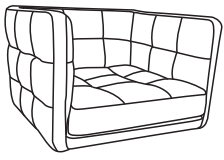
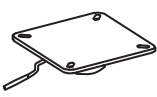

### **Daily Maintenance**




- Regularly clean the surface with a soft cloth to prevent dust accumulation.
- Do not use cleaning agents containing acids, alkalis, or corrosive substances, as they may damage the surface. It is recommended to use neutral cleaning agents or specialized furniture cleaners.
- Avoid exposing furniture to humid environments for extended periods. Use a dehumidifier or desiccant during humid weather.
- Avoid direct contact of furniture with water. If water is accidentally spilled, wipe it dry immediately.
- Avoid placing excessively heavy objects on the furniture: ensure the weight is within a reasonable load-bearing range.
- Avoid using sharp or rough items on the furniture surface to prevent scratches. Handle items gently when moving them.

# Explosive view

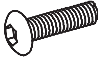



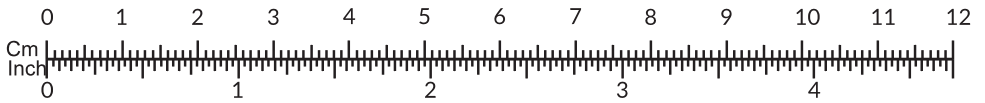
## Parts List

<p><b>A</b> x1</p>  <p><b>Seat</b></p>	<p><b>B</b> x1</p>  <p><b>Mechanism</b></p>	<p><b>C</b> x1</p>  <p><b>Gaslift cover</b></p>
---	--	--

<p><b>D</b> x1</p>  <p><b>Spider base</b></p>	<p><b>E</b> x1</p>  <p><b>Gas lift</b></p>	<p><b>F</b> x5</p>  <p><b>Casters</b></p>
--	---	--

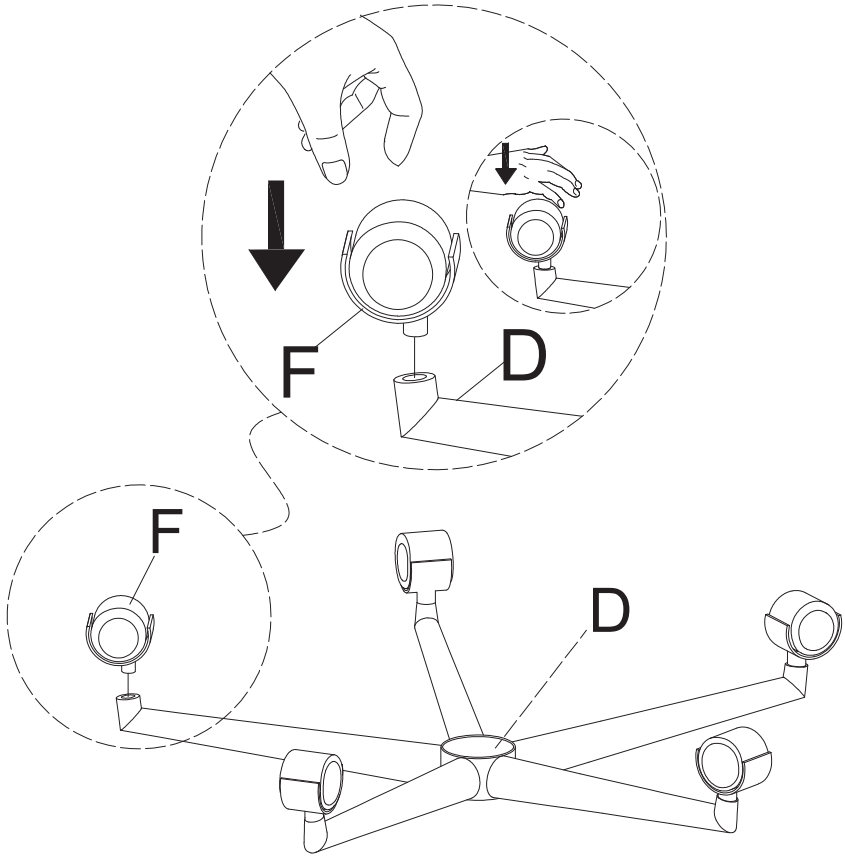
## Hardware List

<p>①</p> <p>x (4+1)</p>  <p>Ø6x20mm</p>	<p>②</p> <p>x1</p>  <p>M6</p>	
--	--	--

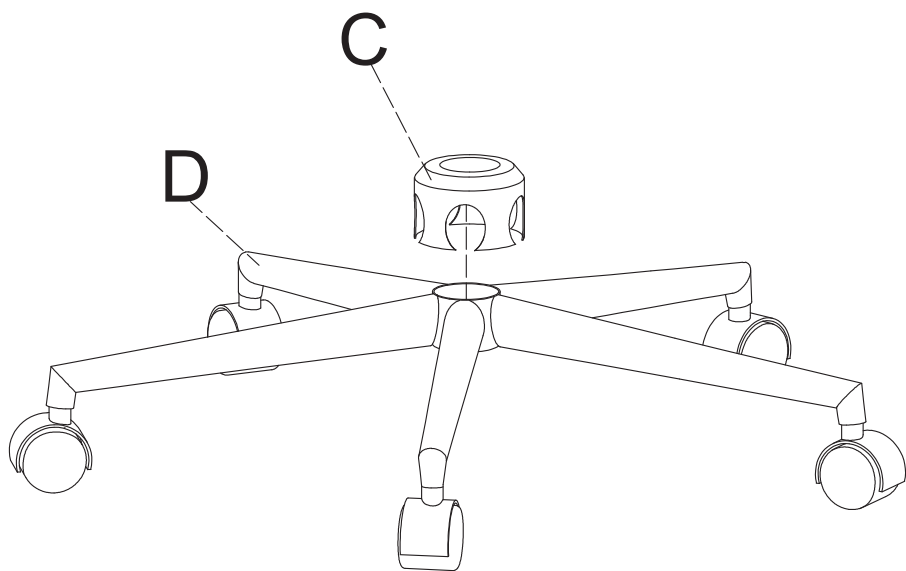


**Note:** Before installing the screws, please first distinguish the length of the screw rods.

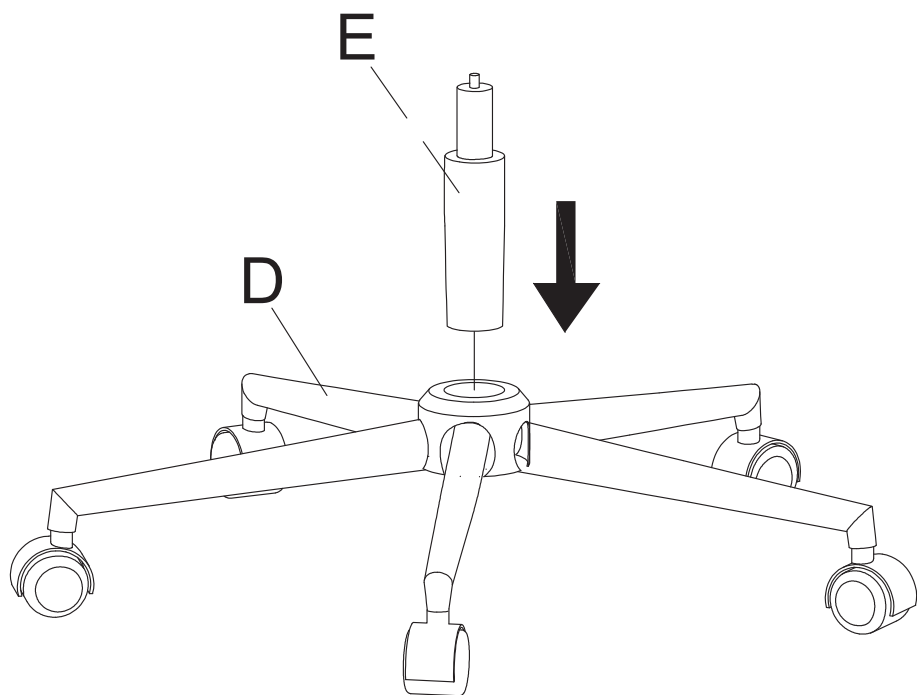
# Step 1




## Step 2




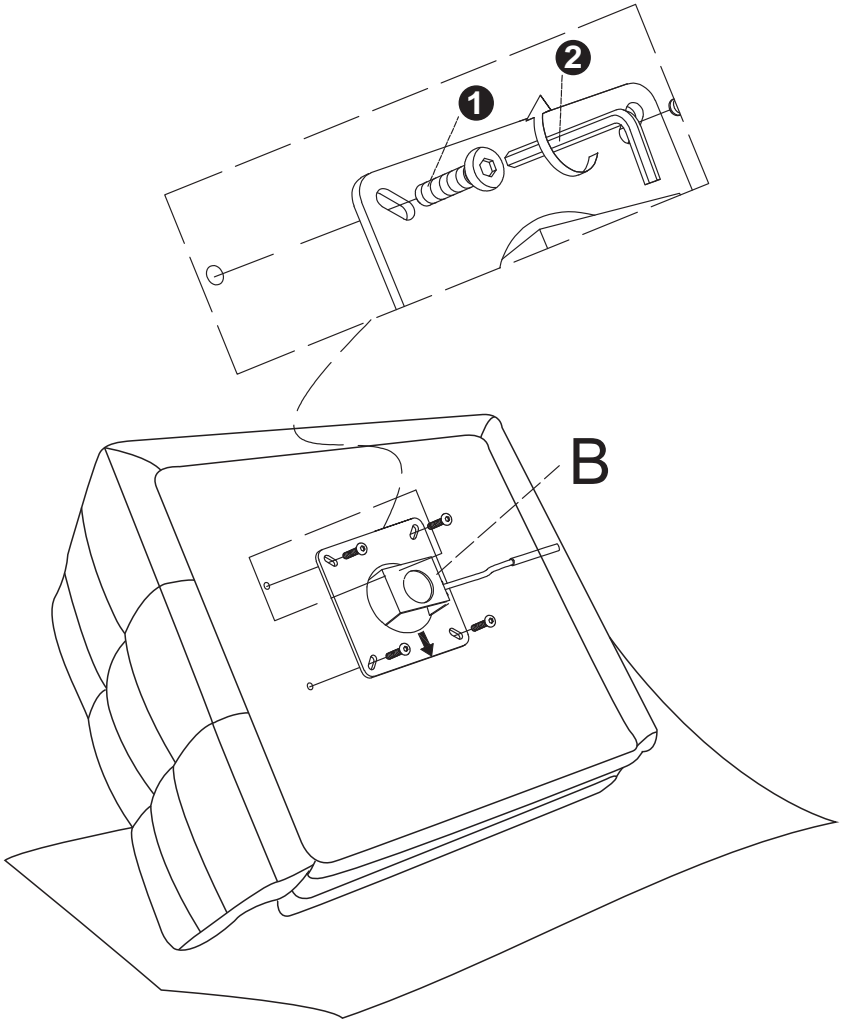
### Step 3



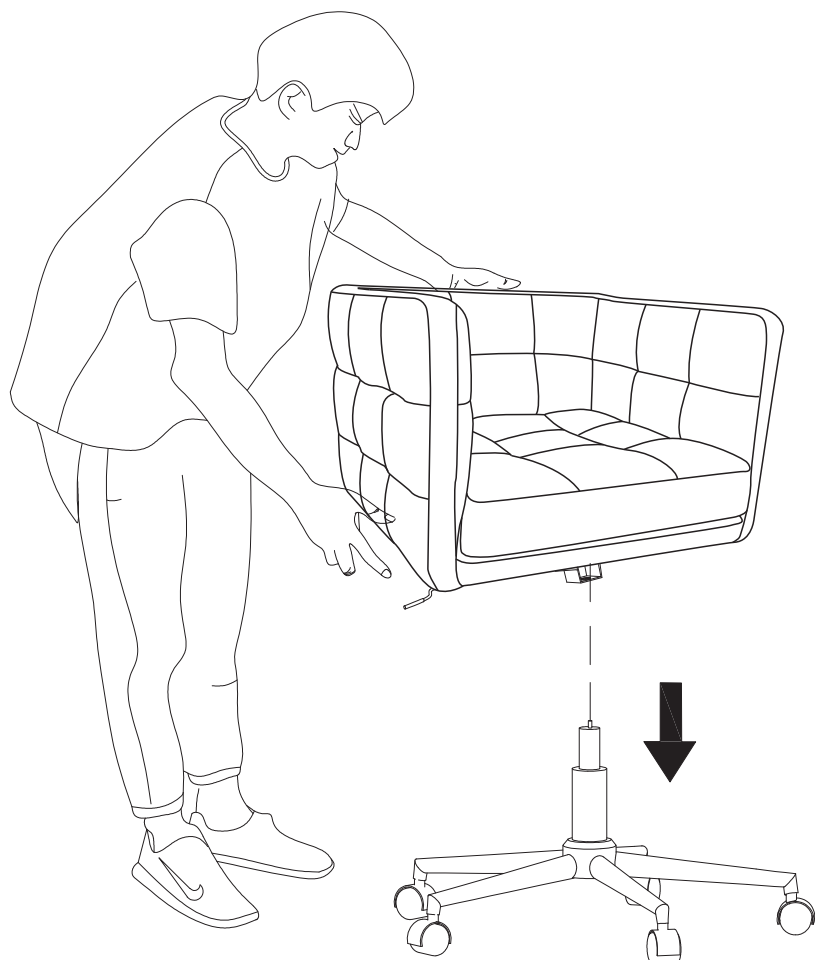
# Step 4

<b>1</b>	x4
	
M6*20mm	

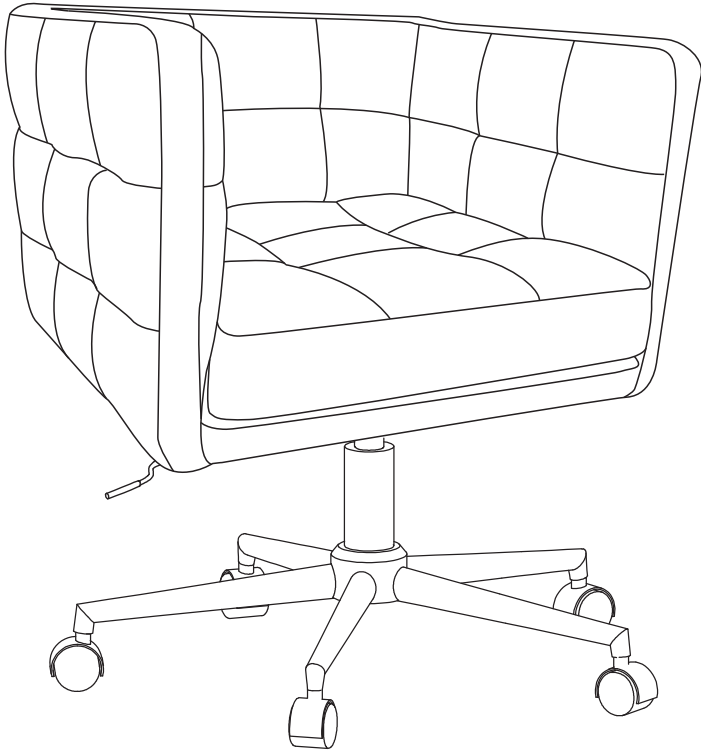
<b>2</b>	x1
	
M6	



## Step 5



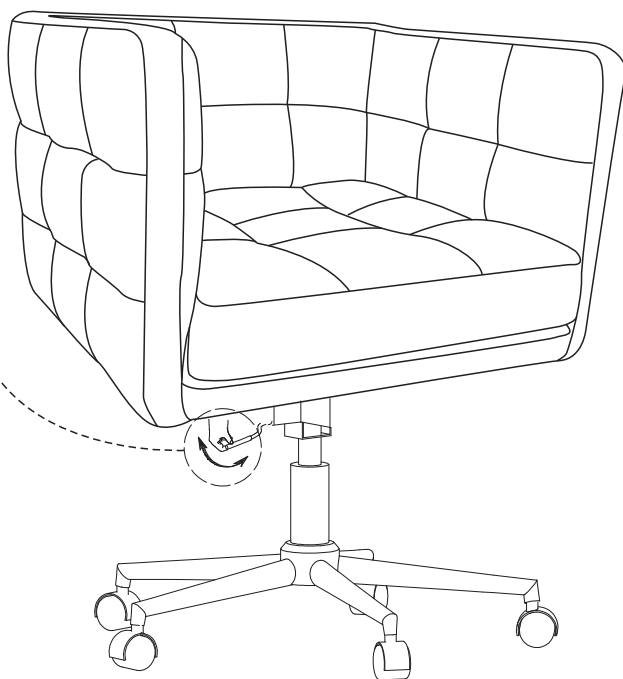
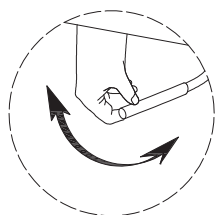
Step 6



**Assembly completed.**

## Functions Introduction

Adjust the chair height by pulling lifting lever



# WARRANTY

- We strive to offer quality products, and we also try our best to satisfy every customer who orders from us with products or services as needed.
- Replacement parts can be purchased from our company if available.
- For returns, please check the return policy with the retailer or marketplace where you purchased the item.

## ***Are you having difficulty***

With assembly? Missing parts?  
Please send an email with your order No. to

We appreciate your purchase.  
Brighten your life with our furniture!