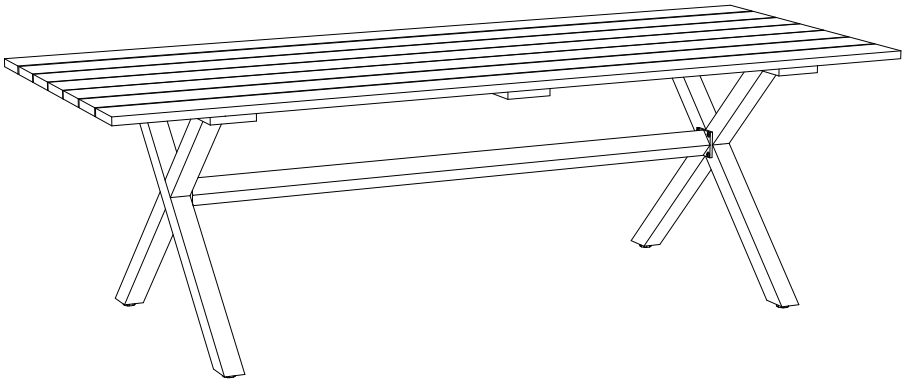


PURPLE LEAF

est. 2013



Outdoor Dining Table (250)



ASSEMBLY AND OPERATION GUIDE

Warnings and Cautions

Please retain this instruction for future usage and read carefully before assembly.

Make sure you have all the parts & hardware as item list shows.

2 adults are recommended to install your table.

Do not discard any of the packaging until you have checked that you have all the parts and pack of fittings.

Check all bolts for tightness before use, and periodically check and tighten bolts ensure your table works properly.

Some parts might have sharp edges/corners. Please follow basic safety precautions to reduce the risk of hurts.

Notes

- 1. Please cover and store the table when not in use.*
- 2. Please take care of the item carefully during daily use.*

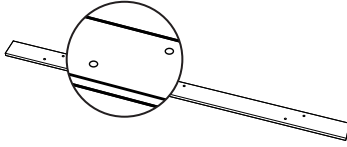
CHOKER HAZARD

THIS ITEM CONTAINS SMALL PARTS WHICH CAN BE SWALLOWED BY CHILDREN.

PLEASE KEEP IT AWAY FROM CHILDREN UNDER 3 YEARS OLD AND PETS DURING INSTALLATION.

Check List

A×5

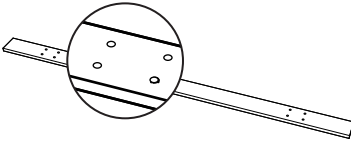


F×8

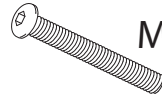


M6X20

A1×2

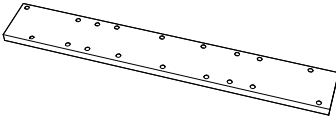


I×50



M6X45

B×2

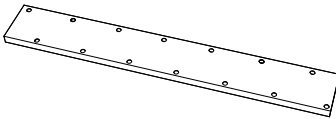


J×58



M6

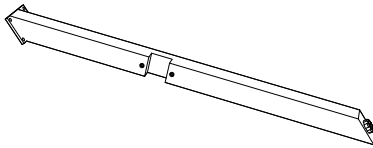
B1×1



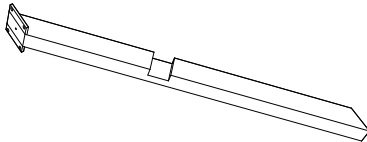
K×2



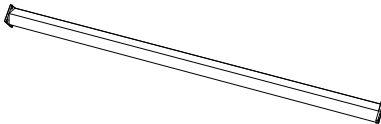
C×2



D×2

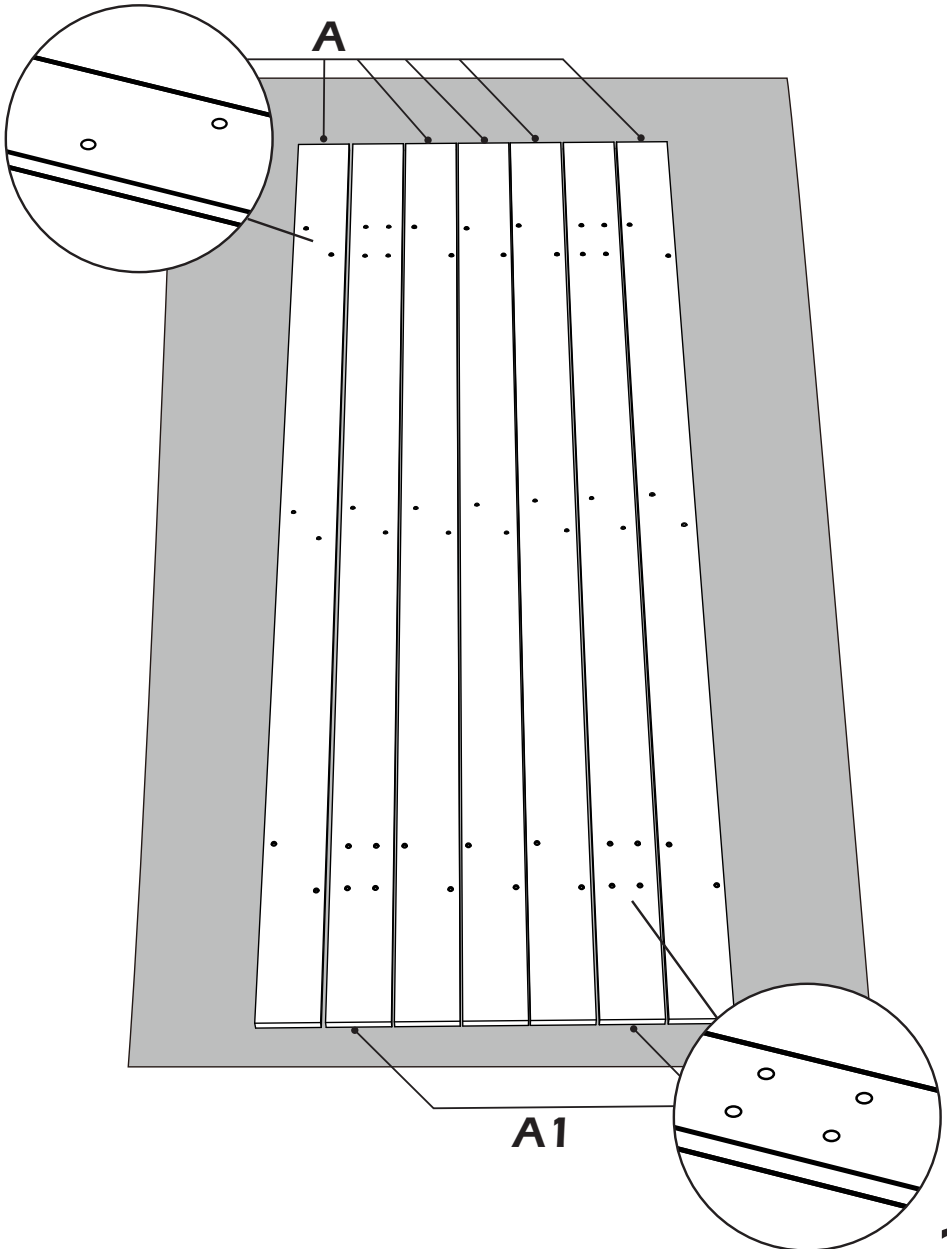


E×1



Step 1

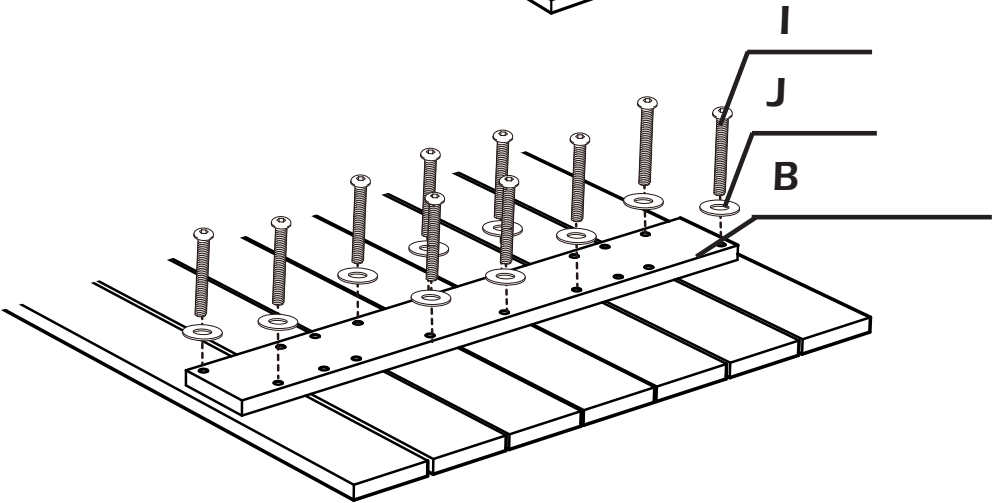
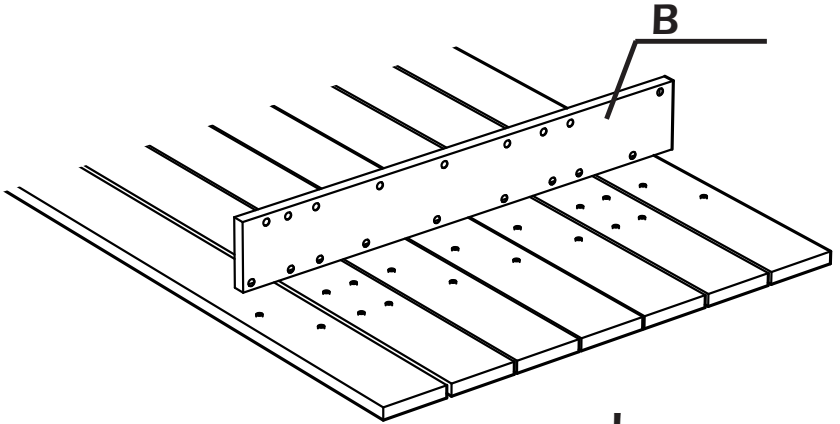
Take the panel of table top out of the box and make sure to use a carpet for installation to avoid scratches.



Step 2

To install the part B on the plate of the part A.

Please note that the side below has the larger screw hole to match the hole position between the part B and A.

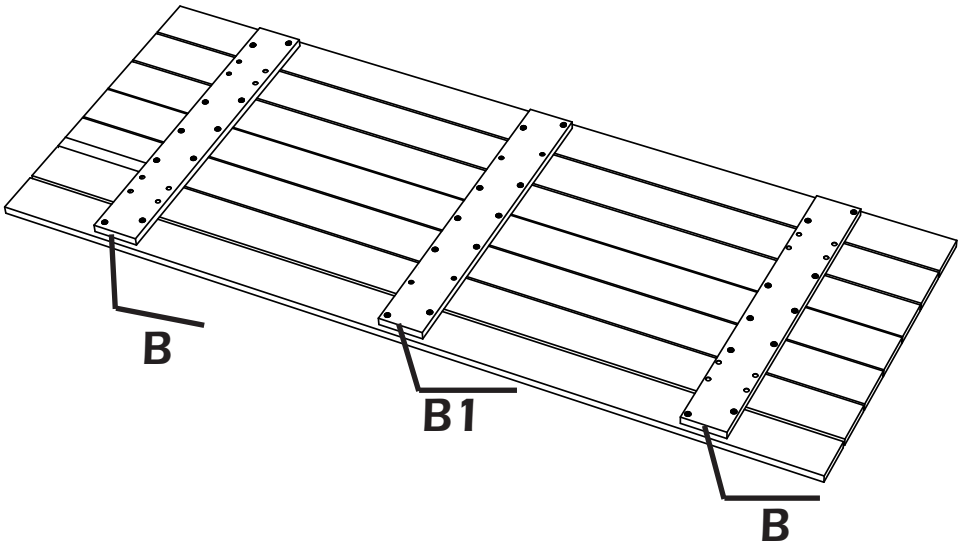
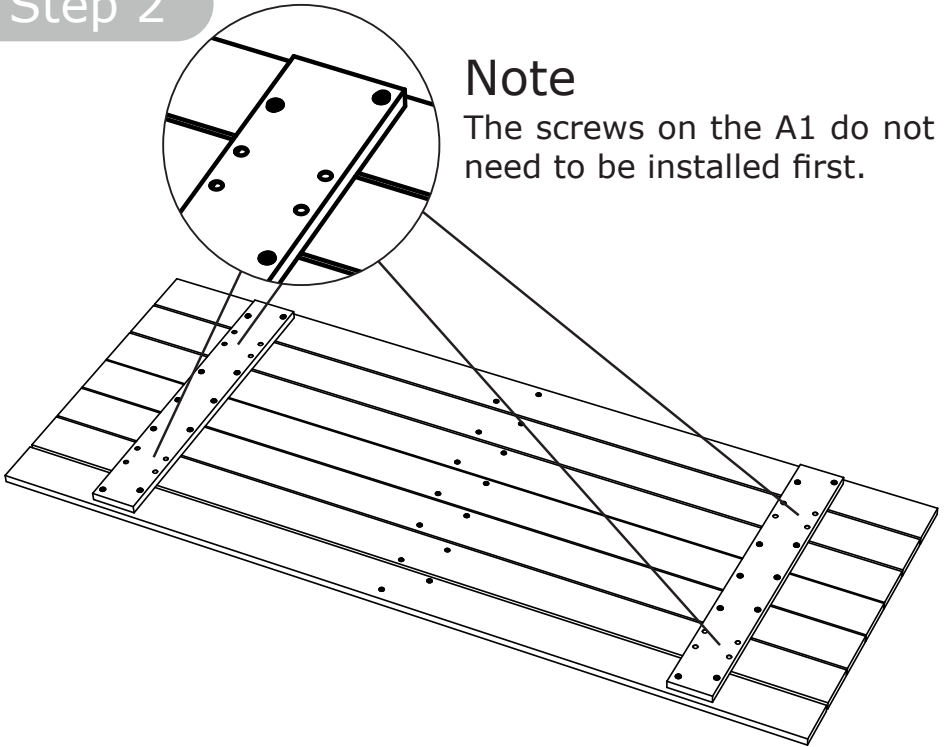


For the hole position, please leave an appropriate gap between the part A and A1.

Step 2

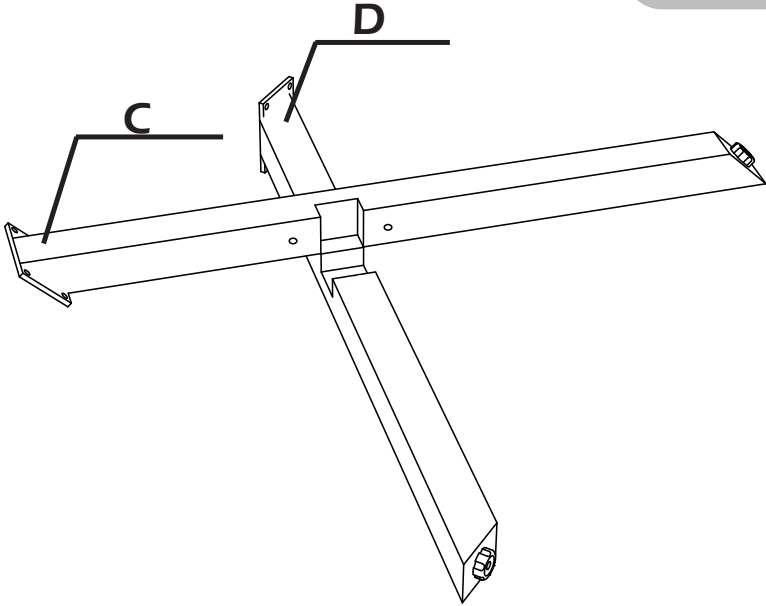
Note

The screws on the A1 do not need to be installed first.

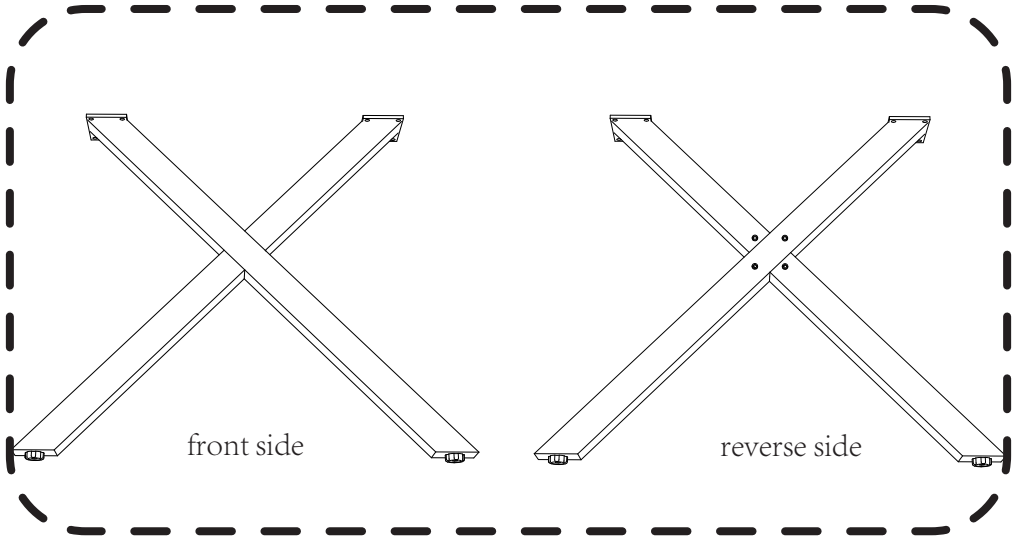


The screws on the part B are installed as shown in page 5.

Step 3



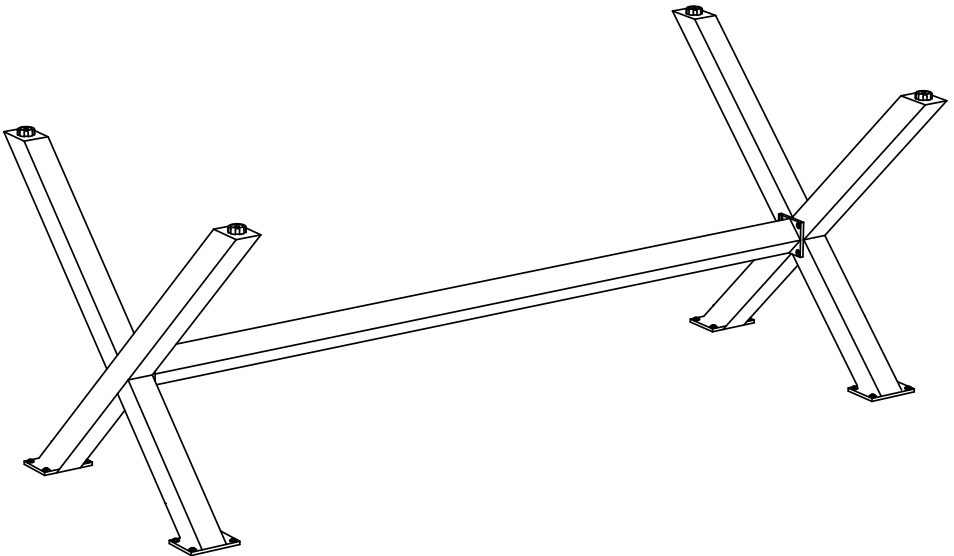
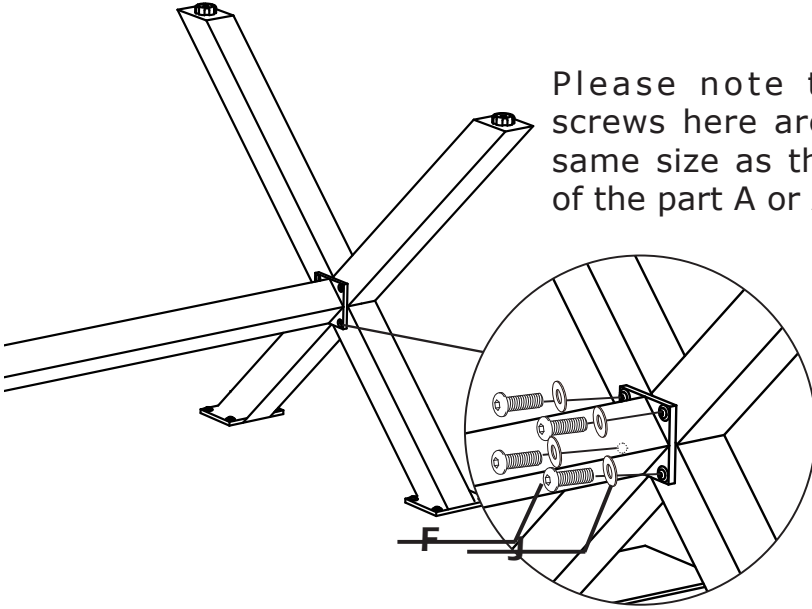
Please put together the 4 legs in an "X" shape according to the number then turn it over to the reverse side and prepare to install part E with screws.



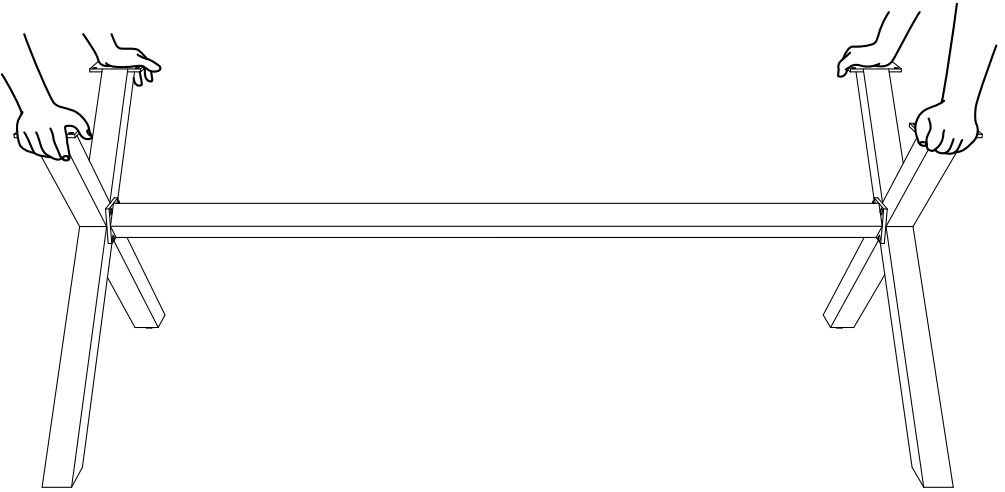
Step 4

To connect the part E to D

Please note that the screws here are not the same size as the screws of the part A or A1.



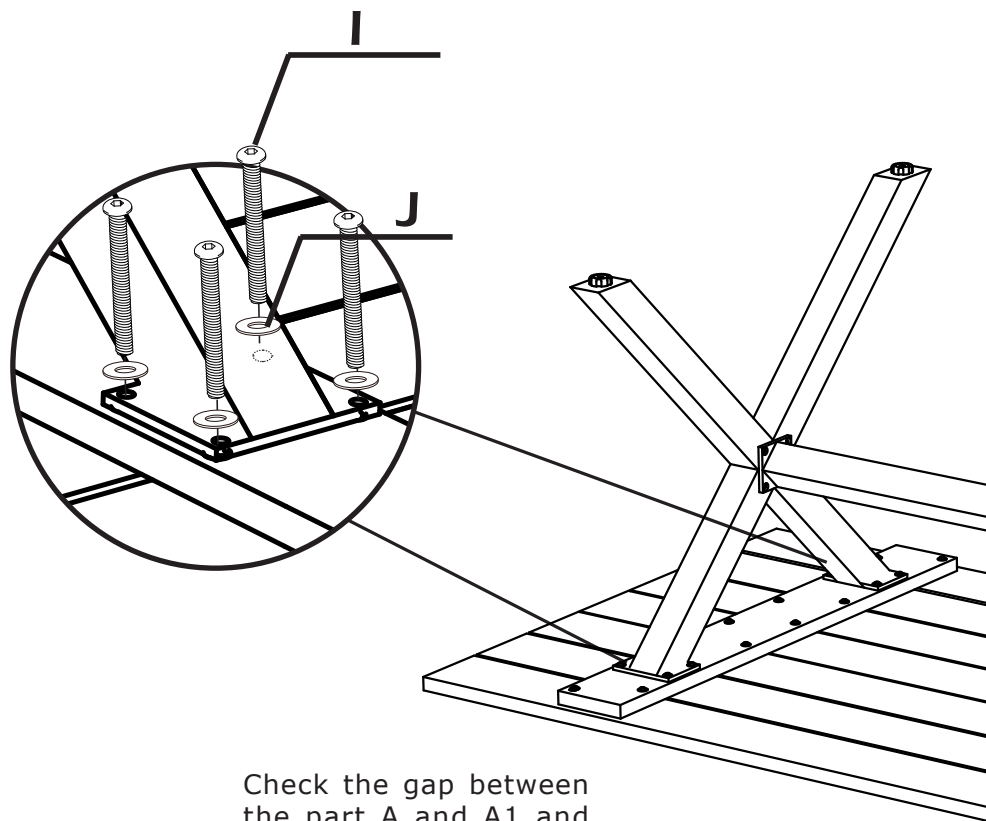
Step 4



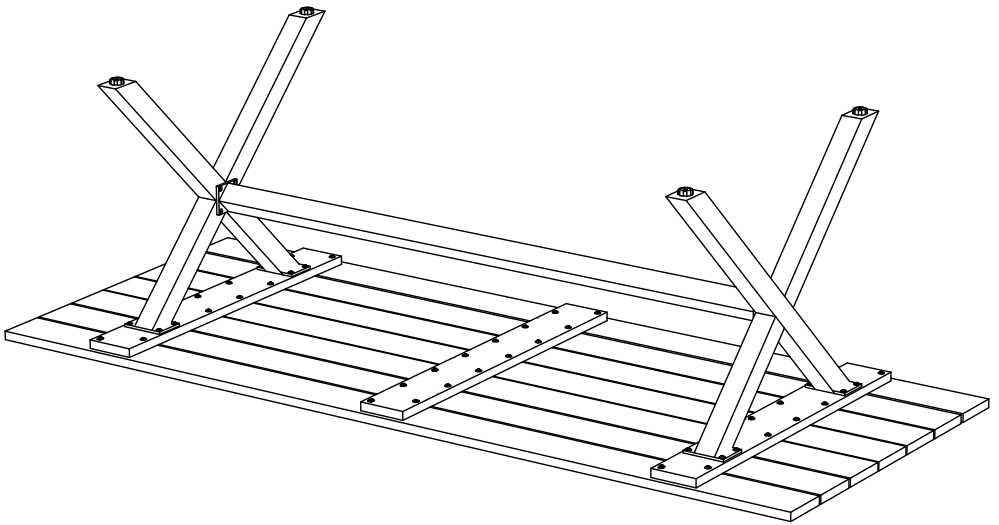
If you find the part C and D are unstable after installation, please stand the table legs on a flat bottom surface as shown and press downward.

Step 5

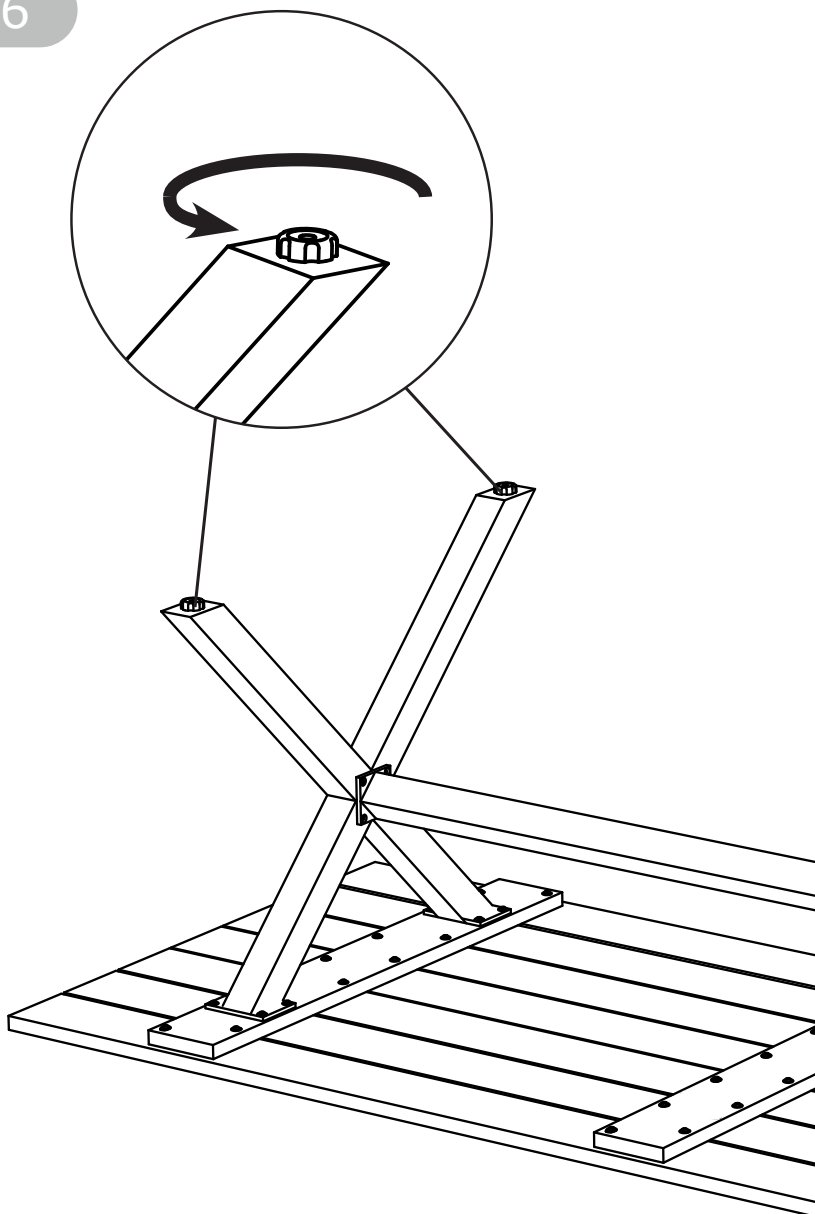
To connect the part C and D to the table top.



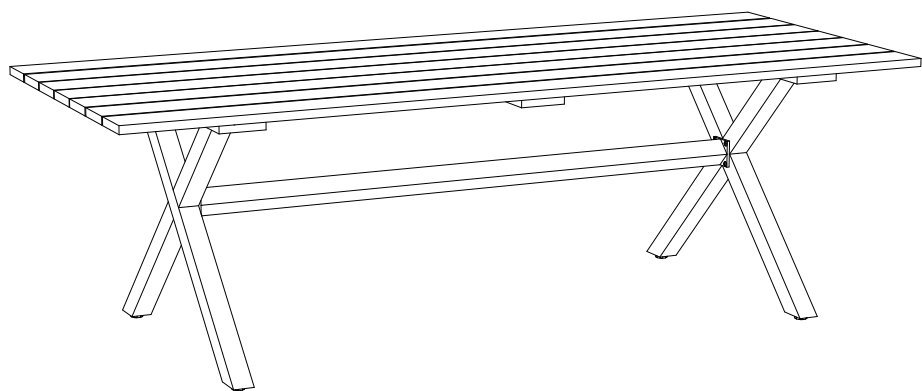
Check the gap between the part A and A1 and keep them even.



Step 6



Please adjust the foot plug if the table is unstable after installing the whole table.



Warranty

Frames

Frames constructions are warranted to be free from defects in material and workmanship for 1 year from item purchased. Damage to frame from negligence won't be covered by this warranty.

Bolts & Nuts

Bolts and nuts are warranted to be free from defects in material and workmanship for 1 year from item purchased. Damage from exposure to chemicals (including not only oils, spills, fluids) won't be covered by this warranty.

Warranty Limitation

This warranty is for the original purchase order only. (Order number required). This warranty is non-transferable. Purple Leaf is responsible for the free replacement part including shipping charges for the 1 year warranty.

Warranty Exclusion

This warranty does not cover products subject to negligence, abuse usage, inappropriate installation. Purple Leaf reserves the right to explain warranty exclusions. When the replacement item is applied, the 1 year warranty automatically expires. Please feel free to contact us for applying warranty.



Purple Leaf Inc.
1820 E Locust St, Ontario
CA, 91761, US
furniture4@purpleleafgarden.com
©Copyright 2013-2024 Purple Leaf Inc.
All Rights Reserved