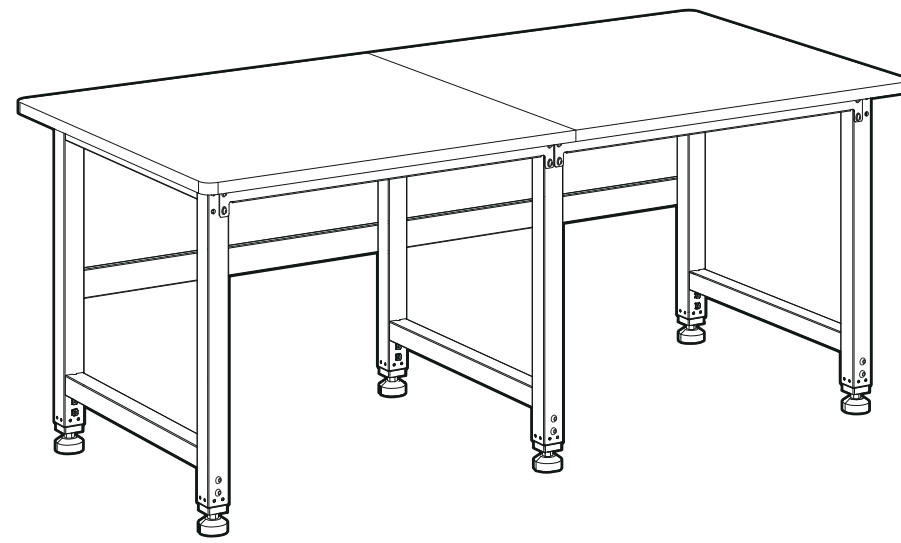


Installation guide



< The pictures below are for reference only, please refer to the actual product. >
Please read this product manual carefully before use, and keep it properly.

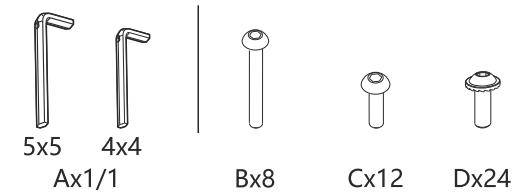
Technical Data

Max. Load Capacity	3000 lbs
Lowest Height	30.12"
Highest Height	36.02"
Tabletop Size	72"x36"x1"

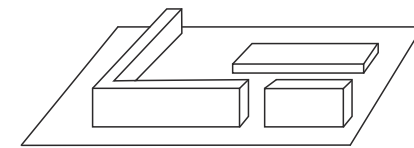
Product List

Accessory List

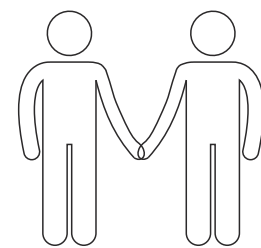
Note: The line drawings below are for reference only and may differ slightly from the physical product in some cases. Please refer to the actual product for accuracy. If any tools are missing or there are problems with installation, please contact customer service.



Preparation before installation



Install on carpet to prevent scratches.

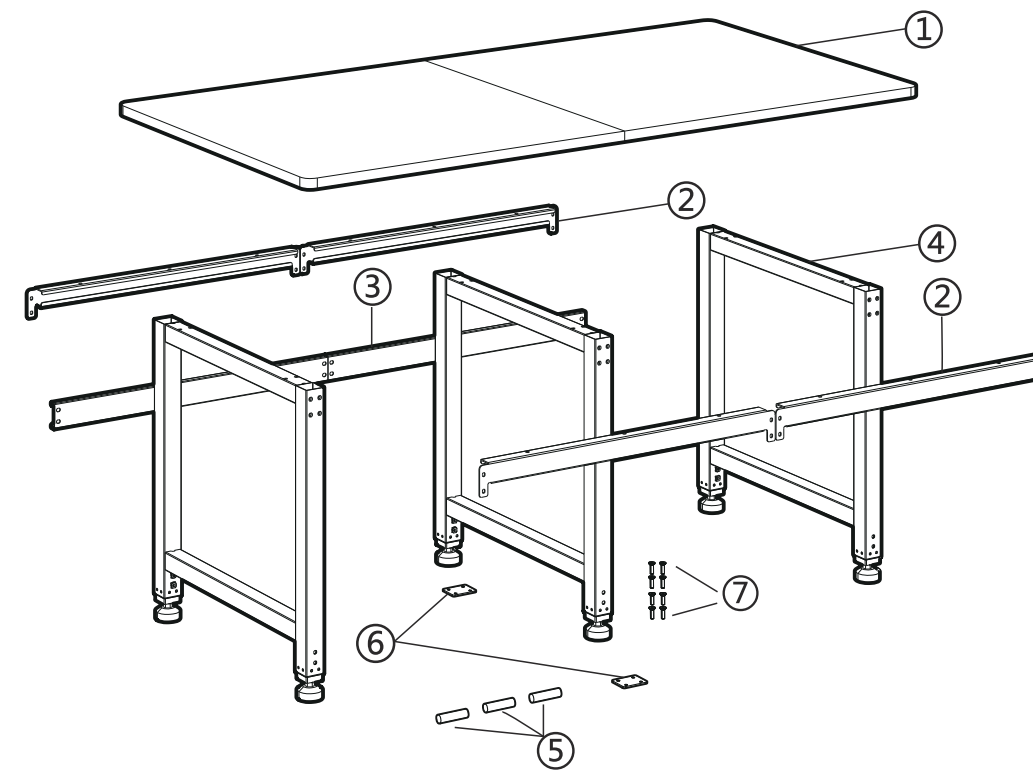


Need two or more people to cooperate together.

Part List

No.	Part	No.	Part
①	Tabletop x2	⑤	Log dowel x3
②	Supporting sheet metal x4	⑥	Tabletop connector x2
③	Connecting sheet metal x2	⑦	Hex socket countersunk head screw x8
④	Column x3		

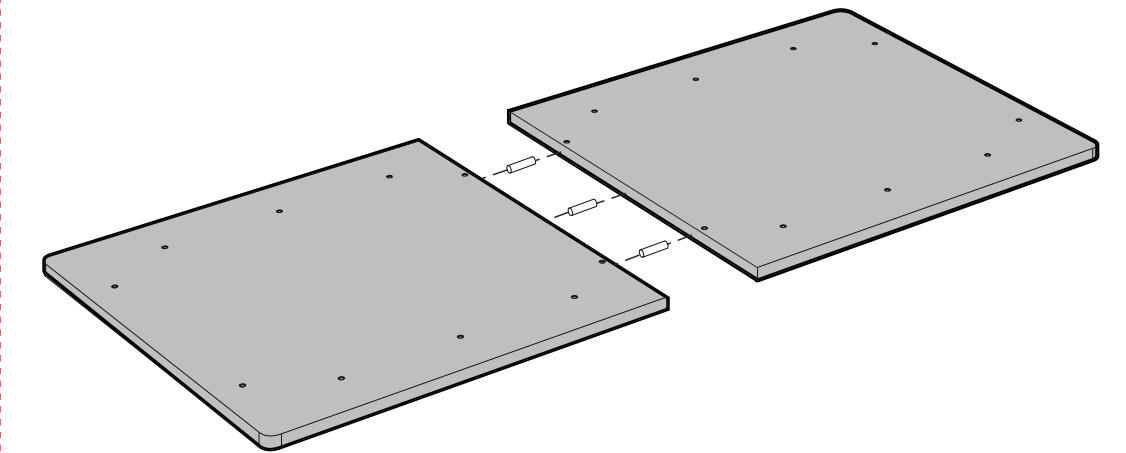
Installation Instruction



Installation Steps

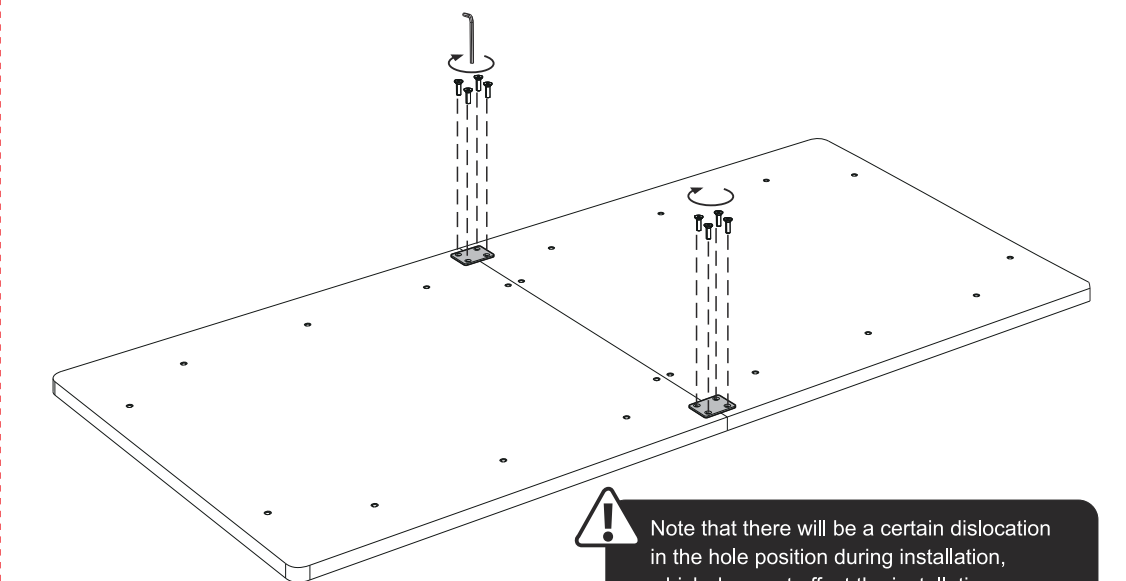
STEP1 Splicing Tabletop

⑤ x3



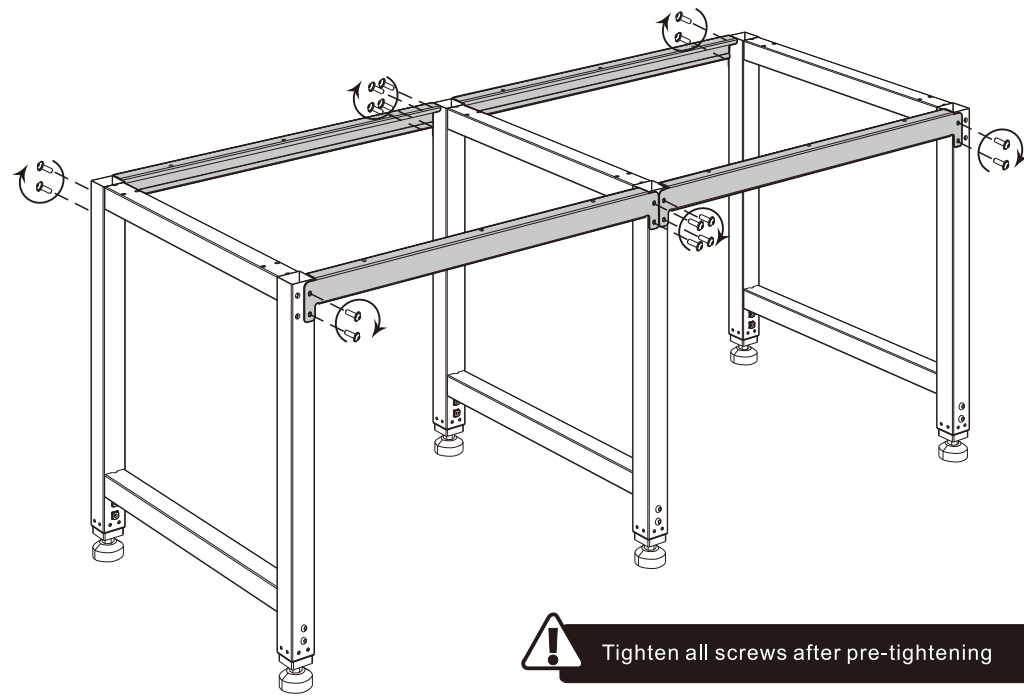
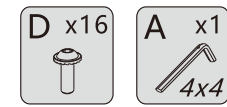
STEP2 Install the Tabletop connector

⑥ x2 ⑦ x8 A x1
4x4



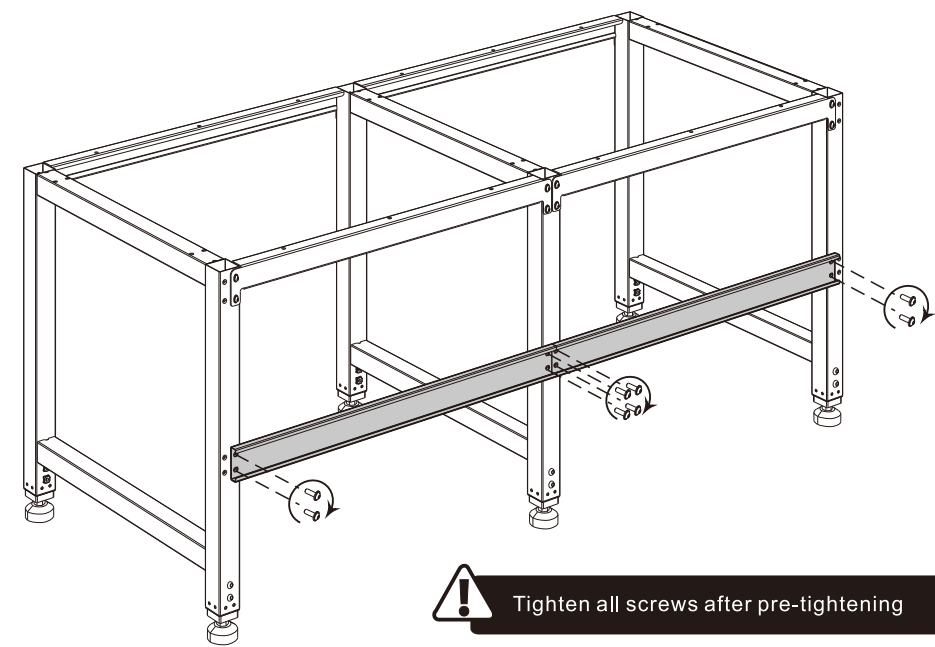
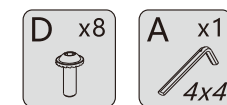
! Note that there will be a certain dislocation in the hole position during installation, which does not affect the installation, please rest assured that the assembly

STEP3 Supporting sheet metal



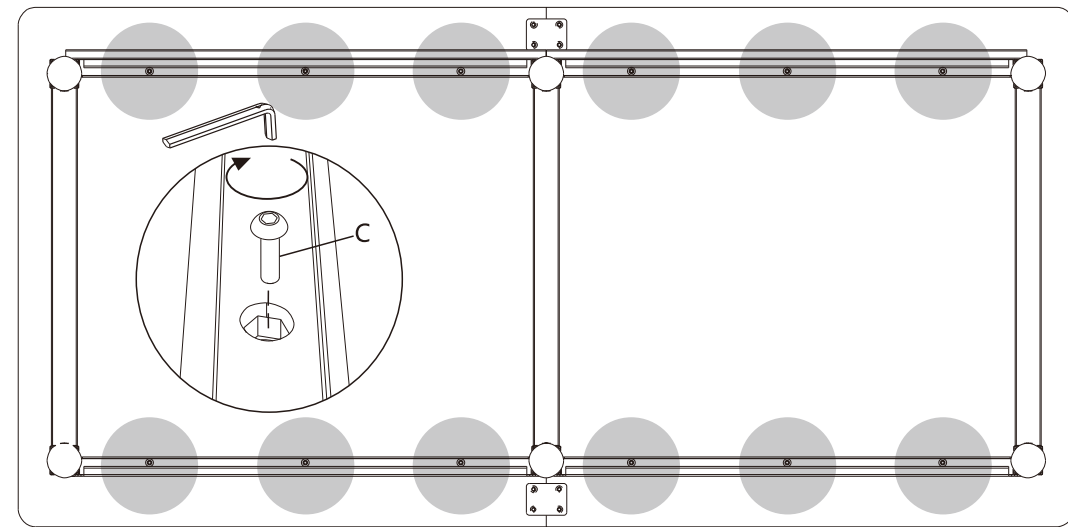
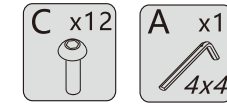
Tighten all screws after pre-tightening

STEP4 Connecting sheet metal

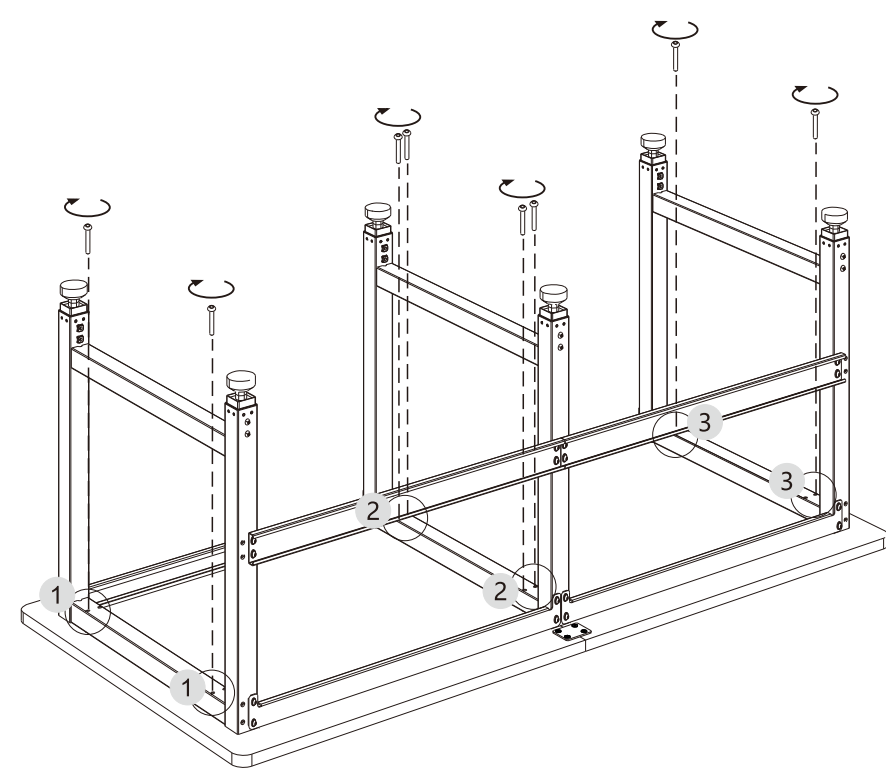
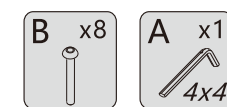


Tighten all screws after pre-tightening

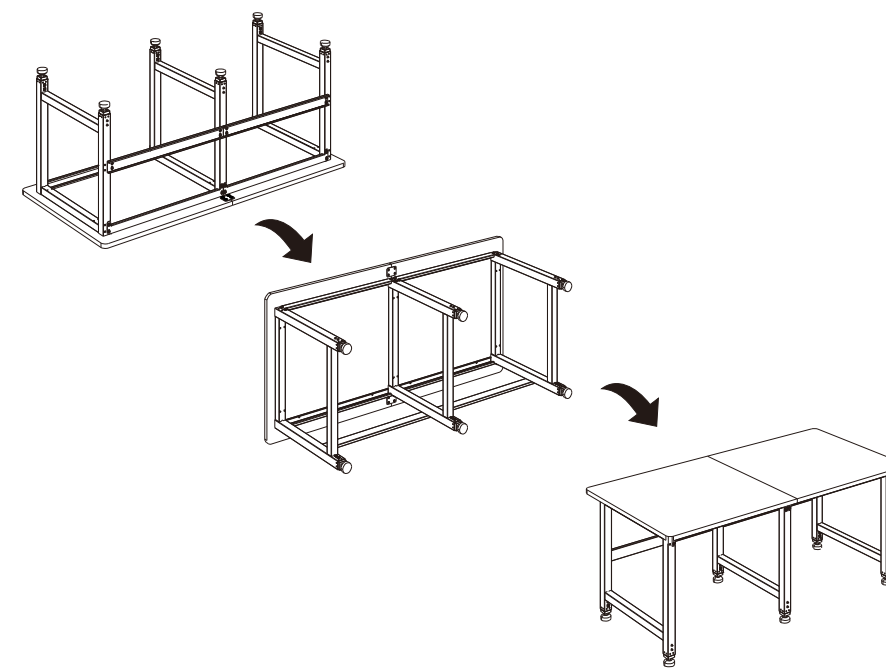
STEP5 Install the Tabletop



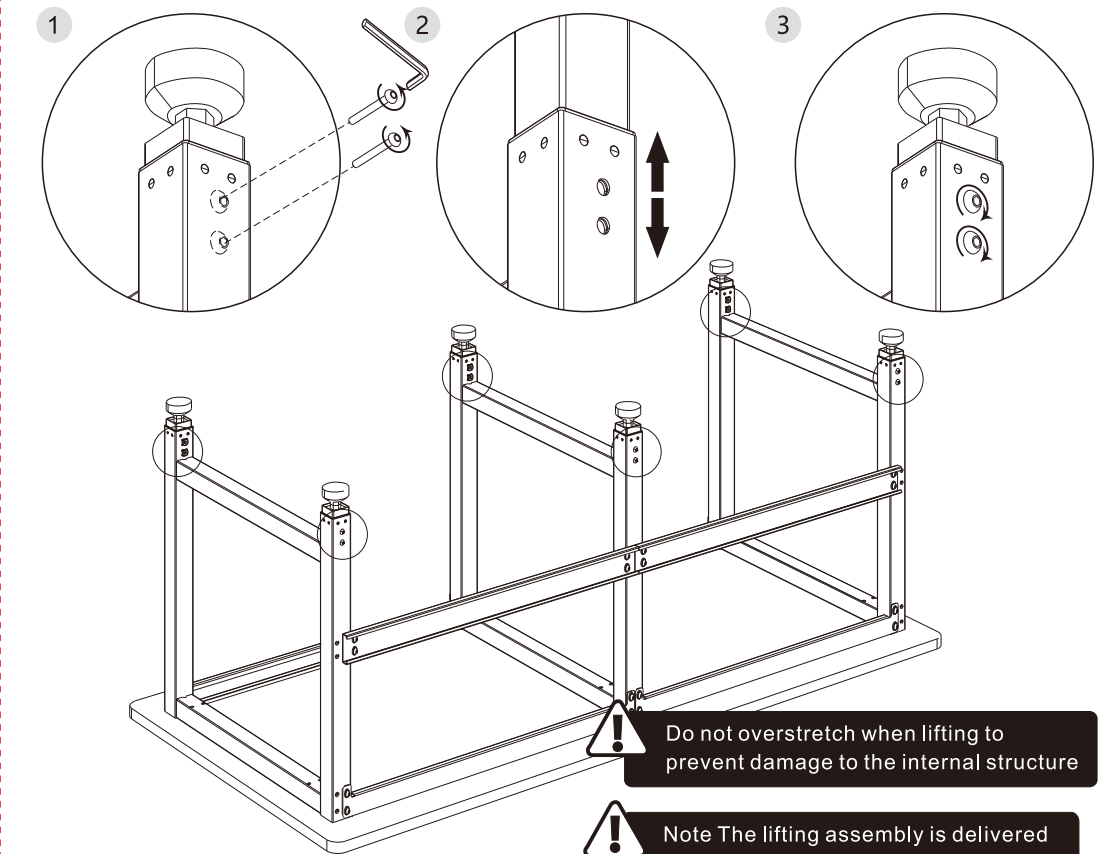
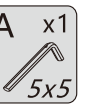
STEP6 Install the Tabletop



STEP7 Flip the table



STEP8 Adjust the height of the column



Do not overstretch when lifting to prevent damage to the internal structure

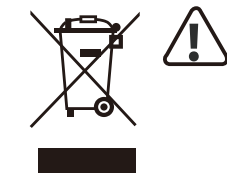
Note The lifting assembly is delivered with the lowest height, please adjust the height according to personal needs



Attention

1. Operating environment: Indoor, 0-40° .
2. Before using the product, please carefully check to make sure that the product has been fully and correctly installed. Only use the accessories provided by the manufacturer when installing the product. Please leave enough safety clearance when placing the product to avoid the risk of pinching. Please regularly check if the screws are loose and tighten them.
3. Before using the product for the first time, please be familiar with all the functions of the product.
4. Children are not allowed to play on this product. Certain unpredictable behaviors may result from children playing on the product, and the manufacturer will not be responsible for any resulting accidents.
5. Please ensure that children aged 14 and below, as well as individuals with physical sensory or mental impairments, use this product under proper supervision and guidance. Children should not have unrestricted access to play with it.
6. Children should not perform cleaning and user maintenance without supervision.
7. Ensure that your operating environment is free of any potential hazards, such as not littering tools. Always handle packaging materials with caution to avoid various potential dangers, such as the choking hazard posed by children playing with plastic bags.
8. Slight noises from the multi-belt or brake system caused by the structure will not affect the use of the equipment.
9. The use of corrosive or abrasive materials for cleaning equipment is prohibited. Make sure that the cleaning agents used will not contaminate the environment.
10. When moving the product, ensure that there are no items placed on the table, the drawers and doors are closed securely, screws are tightened, and the power plug is unplugged. Use at least 2 people for moving. If necessary, keep the original packaging for future transportation.
11. When storing for a long time, unplug the power cord and clean out any loose objects. Store it in a cool and dry place.
12. When the product is scrapped, it should be disposed of in accordance with the environmental regulations used in each country, and not treated as regular household garbage. Keep these small accessories away from children.

Waste disposal



This marking indicates that this product should not be disposed with other household wastes. To prevent possible harm to the environment or human health from uncontrolled waste disposal, recycle it responsibly to promote the sustainable reuse of material resources. To return your used device, please use the return and collection systems or contact the retailer where the product was purchased. They can take this product for environmental safe recycling.