

# DUO PANEL

Full Size - Old Brushed Metal  
Queen Size - Old Brushed Metal  
King Size - Old Brushed Metal

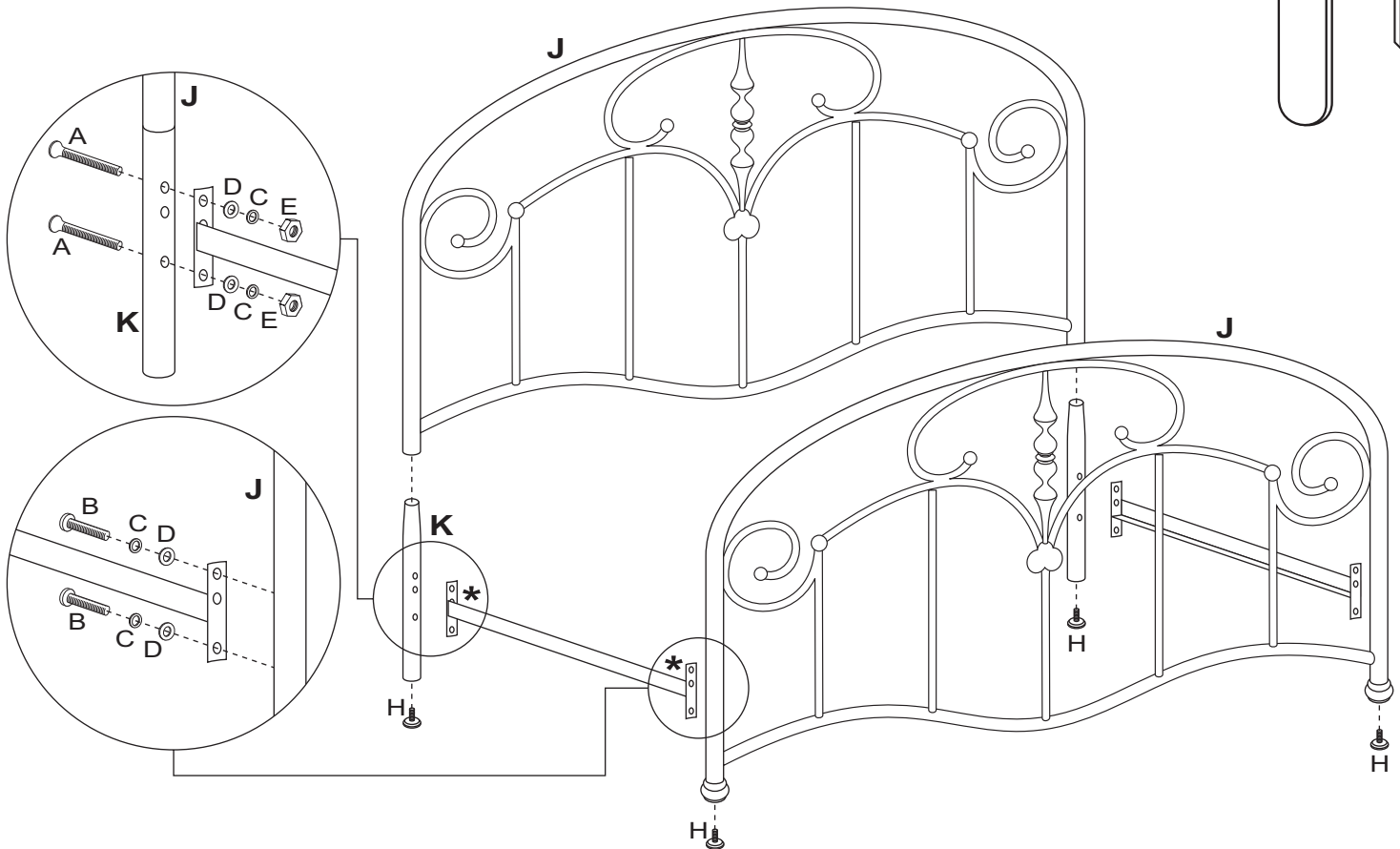
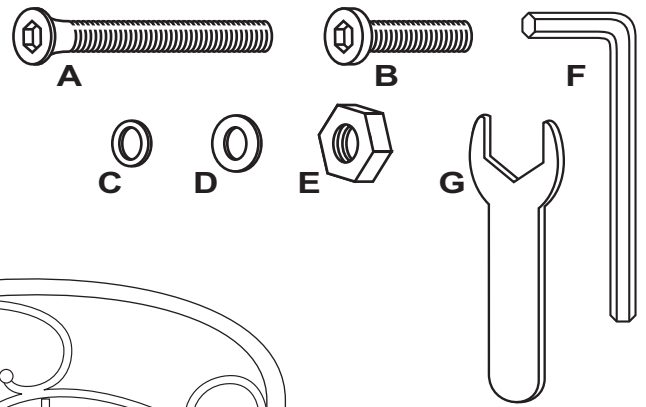
Examine all packaging material for small parts that may have come loose during shipment. Periodic checks are recommended to insure that all components are in proper position, tight and free from damage. Keep this assembly instruction for future reference. Adult assembly is required.

## HARDWARE LIST

- A (4) Counter Bolts 1/4" x 2-1/4"
- B (4) Allen Bolts 1/4" x 1"
- C (4) Spring Washers 1/4"
- D (4) Flat Washers 1/4"
- E (4) Hex Nuts 1/4"
- F (1) Allen Wrench
- G (1) Hex Wrench
- H (2) Foot Glides

## PARTS LIST

- J (1) Duo Panel
- K (2) Leg Extensions



### STEP 1 - Headboard Assembly Only

Begin assembly by attaching each Leg Extension (K) to the bottom of each post on the Duo Panel (J) by inserting in place. Once in place, attach each Foot Glide (H) to the bottom of each Leg Extension (K) by firmly screwing each in place.

### STEP 2 - Headboard Assembly Only

Next, attach the Bed Frame (\*Not Included) to each Leg Extension (K) using 2 Counter Bolts (A) from the outside, and 2 Flat Washers (D), 2 Spring Washers (C), & 2 Hex Nuts (E) per each post. Tighten all nuts and bolts using the Allen & Hex Wrenches (F & G) that have been provided.

### STEP 3 - Footboard Assembly Only

Attach the Bed Frame (\*Not Included) to each post on the Duo Panel (J) using 2 Allen Bolts (B), 2 Spring Washers (C), & 2 Flat Washers (D) per each post. Tighten all bolts. Next, attach each Foot Glide (H) to the bottom of each Leg Extension (K) by firmly screwing each in place. The assembly is now complete. Store this assembly sheet and any remaining parts or hardware for future use.

**CARE & MAINTENANCE:** The touch of a soft cloth is all the maintenance the finish will ever need. Please do not use harsh or abrasive cleaners for polishing, as they may cause damage to the finish. Periodic checks are recommended to make sure that all bolts, screws and nuts are securely tightened.