

MODEL : Bar Stool

ASSEMBLY INSTRUCTIONS

Read this instruction carefully. See hardware and furniture part list for guidance. Be sure all parts are complete, before you assemble. Place all wooden furniture parts on a clean and flat soft surface to prevent from being scratched. Follow the figure to start assembling.

CAUTIONS :

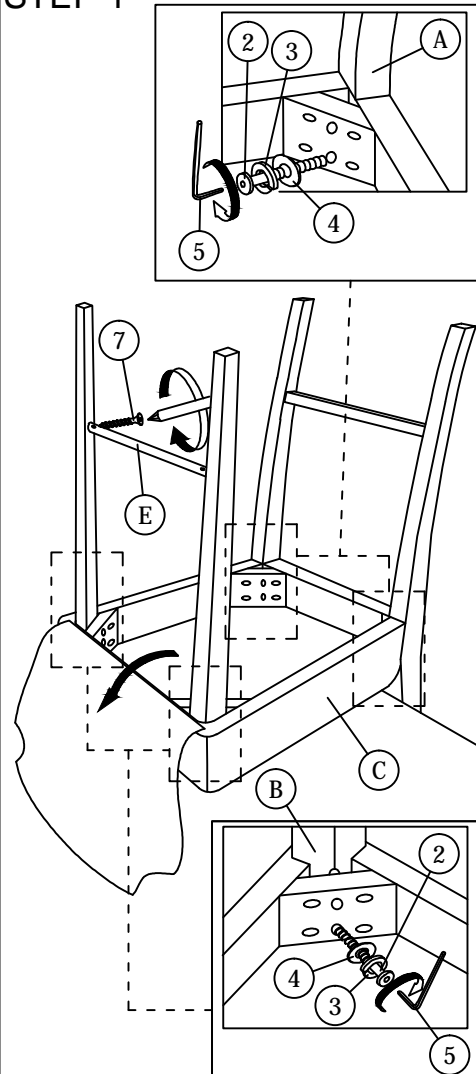
1. Do not FULLY - TIGHTEN the nut or nut bolt until all nut or bolt is ready assembled.
2. Do not OVER - TIGHTEN the nut or bolt to avoid causing damages to the thread.
3. Keep all hardware parts out of reach of children.

NOTE : THE LIST AND QUANTITY SHOWN ARE FOR 1 UNIT ASSEMBLY.

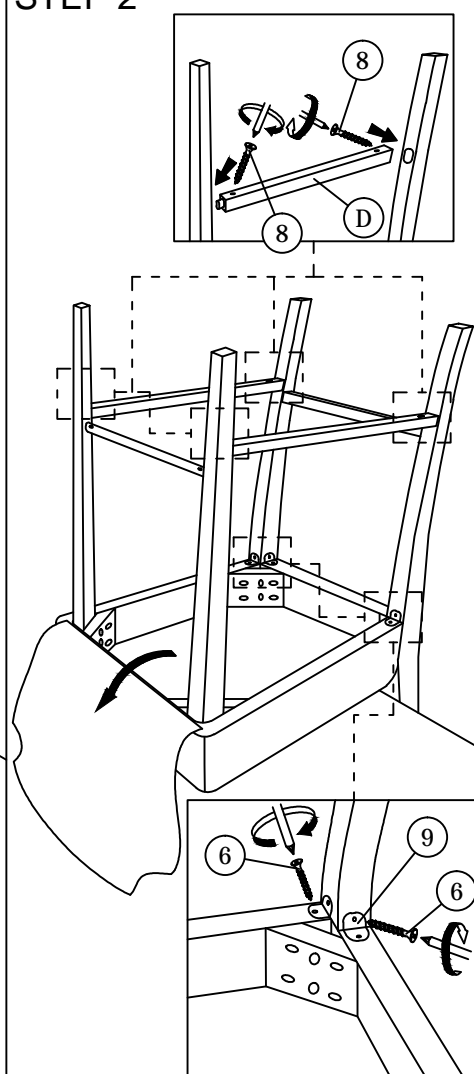
PART LIST		
ITEM	DESCRIPTION	QTY
A	CHAIR BACK	1 PC
B	FRONT LEG	2 PCS
C	CUSHION SEAT FRAME	1 PC
D	SIDE STRETCHER	2 PCS
E	STAINLESS STEEL	1 PC

PART LIST		
ITEM	DESCRIPTION	QTY
1	Wood Screw M3.5 x 12mm	8pcs
2	JCBC Bolt M6 x 60mm	8pcs
3	M6 Spring Washer	8pcs
4	M6 Flat Washer	8pcs
5	M4 Allen Key (Ball Shape)	1pc
6	Wood Screw M3.5 x 16mm	16pcs
7	Wood Screw M4 x 20mm	2pcs
8	Wood Screw M4 x 32mm	4pcs
9	5005 18mm x 20mm x 1.2mm 2 Hole L Bracket	8pcs
10	5003 39.5mm x 20mm x 17.5mm x 2mm 2 Hole L Bracket	4pcs

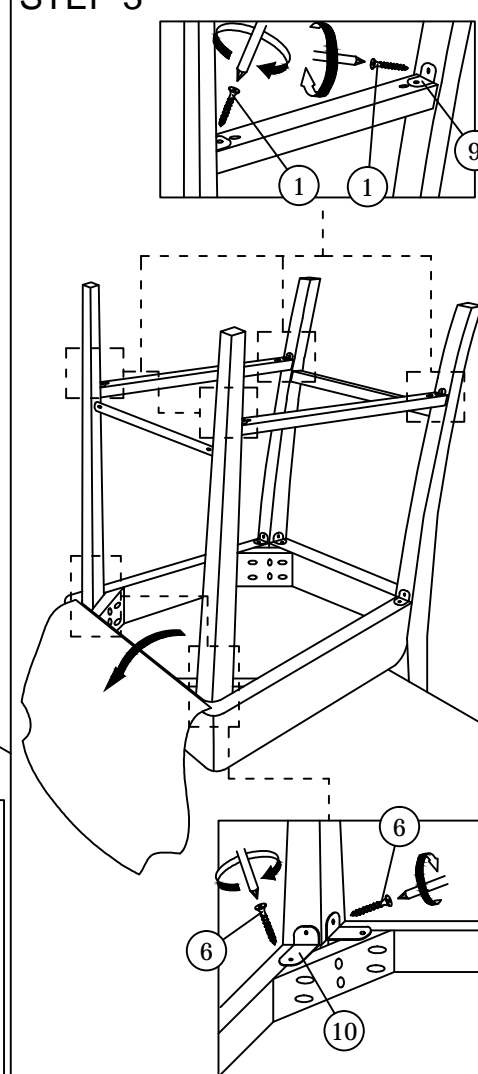
STEP 1



STEP 2



STEP 3



STEP 4

