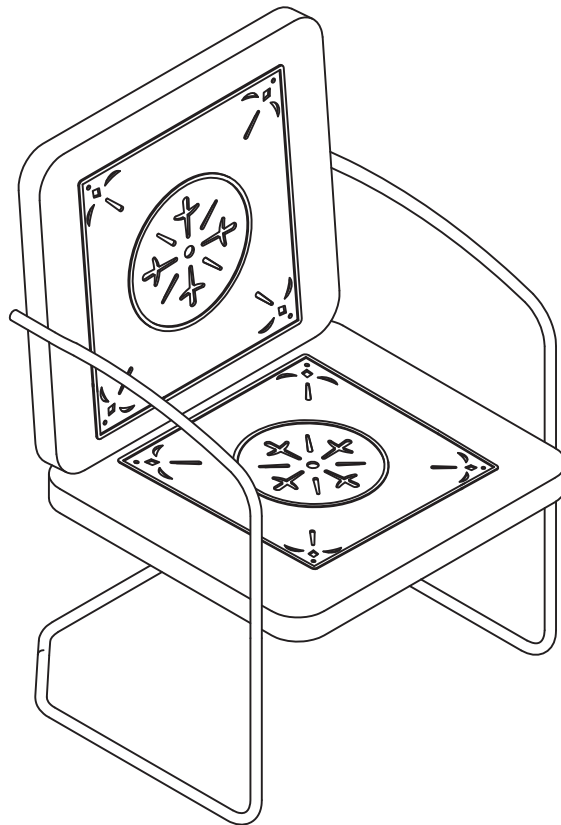


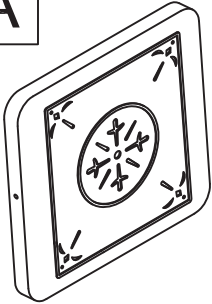
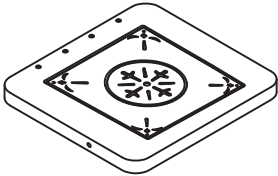
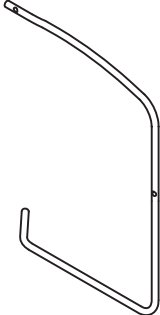
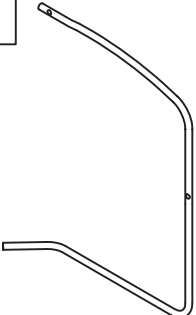
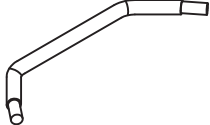
CROSLEY

FURNITURE

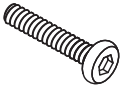
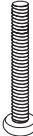



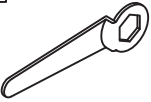
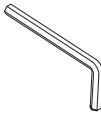

Metal Chair CO1033



PART LIST

A 	B 	C 	D 	E 
Back 2 PCS	Seat 2 PCS	Left Support Leg 2 PCS	Right Support Leg 2 PCS	Leg Connector 2 PCS

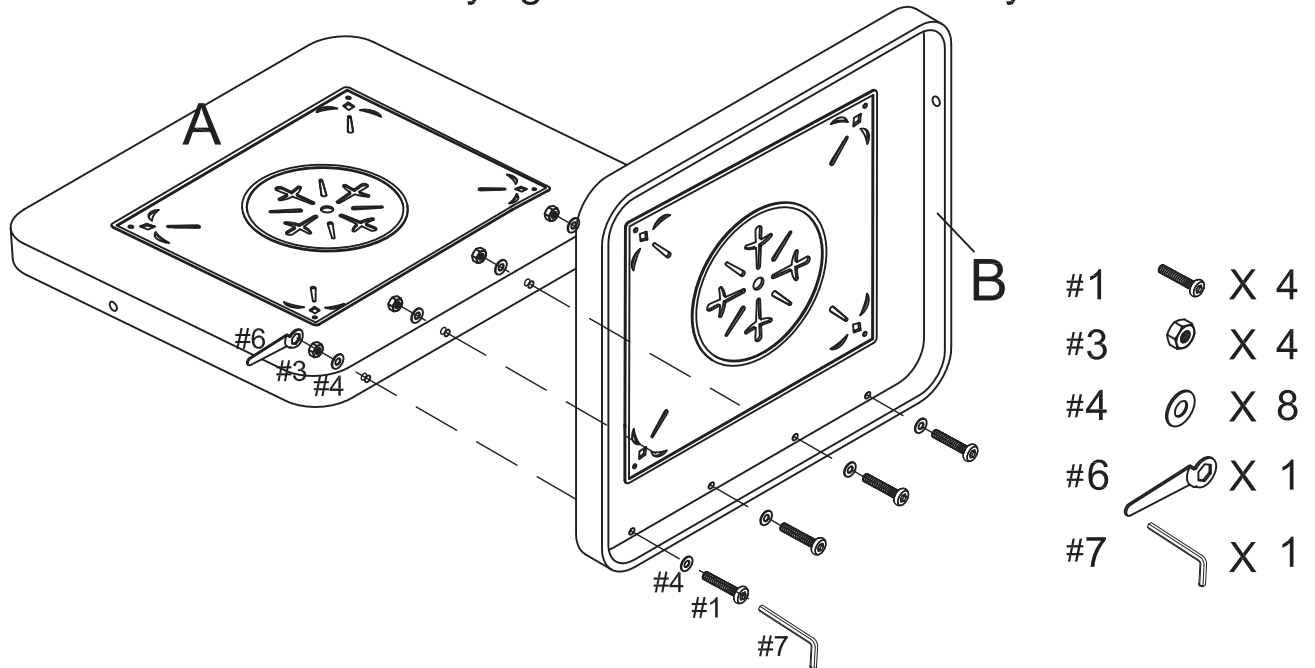
HARDWARE LIST

#1  M6X13mm	#2  M6X42mm	#3 	#4 	#5 
Bolt 8 PCS(Extra 1)	Long Bolt 8 PCS(Extra 1)	Hex Nut 16 PCS(Extra 2)	Flat Washer 24 PCS(Extra 4)	Plastic Washer 4 PCS
#6 	#7 	#8 		
Wrench 1 PC	Allen Wrench 1 PC	Round Plastic Washer 8 PCS		

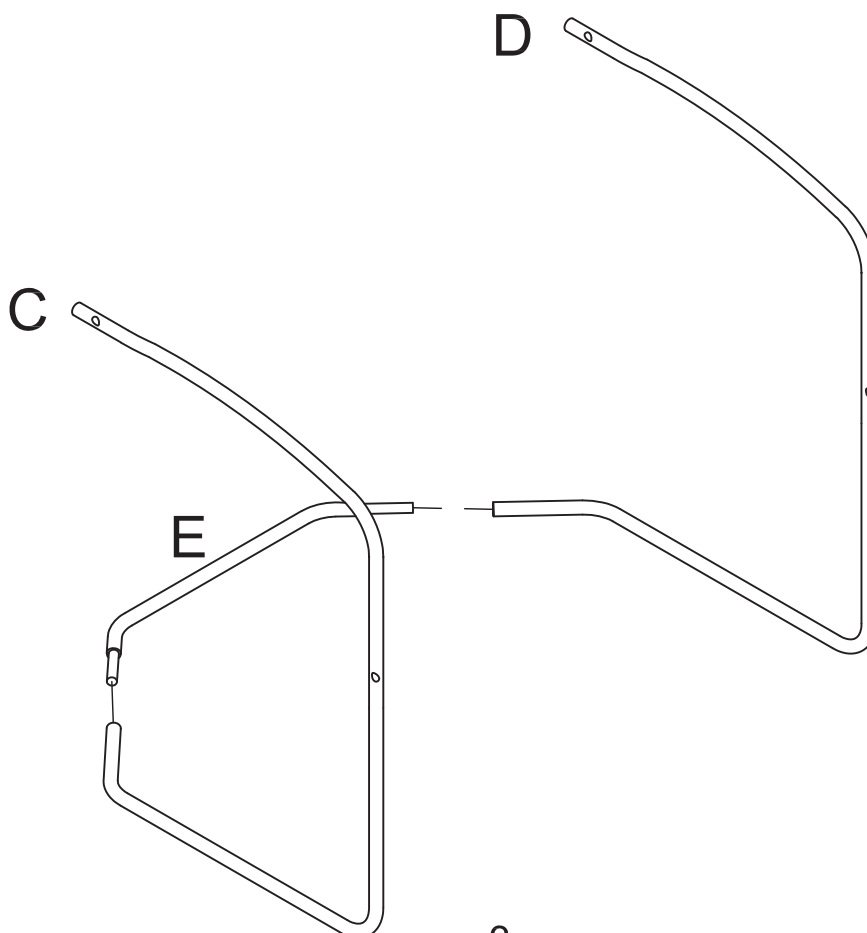
IMPORTANT NOTE: WE RECOMMEND TWO PEOPLE WORK TOGETHER TO ASSEMBLE THE CHAIR

Step 1. Lay back (part A) down on a soft flat surface, such as carpet, as shown below. Attach seat (part B) to back (part A) using bolts (part #1), flat washers (part #4), hex nuts (part #3), wrench (part #6) and allen wrench (part #7).

NOTE: Please do not fully tighten bolts until unit is fully assembled.



Step 2. Attach left support leg (part C) and right support leg (part D) to leg connector (part E).



Step 3. Attach support legs (parts C & D) to back (part A) and seat (part B) using long bolts (part #2), flat washers (part #4), round plastic washers (part #8), plastic washers (part #5), hex nuts (part #3), wrench (part #6) and allen wrench (part #7) .

NOTE: Please fully tighten all bolts at this time.

Repeat steps 1-3 to assemble remaining chair.

