






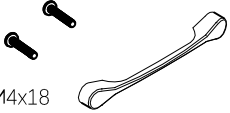
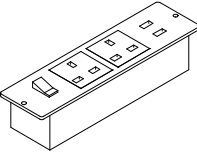

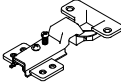

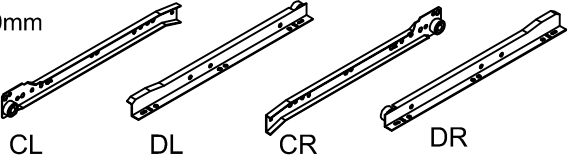

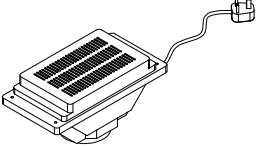


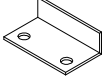
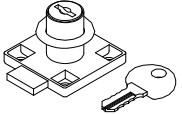
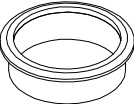

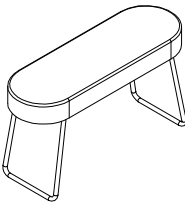
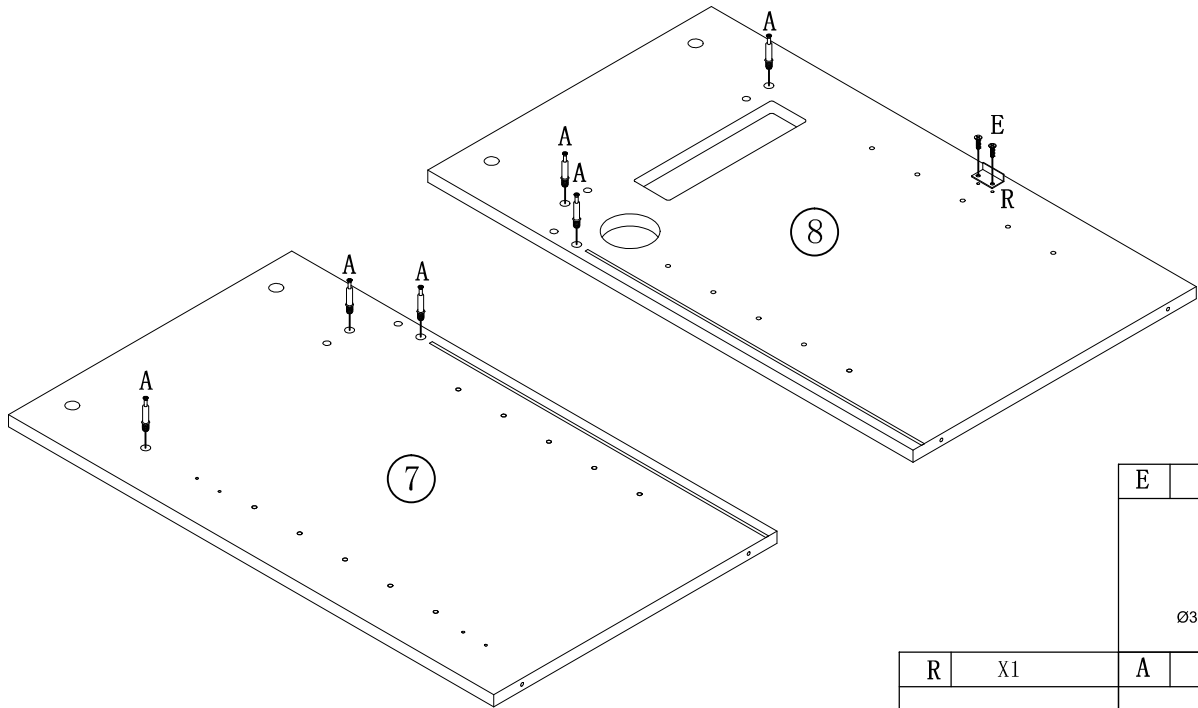





X3

| | | | | | | | |
|---|-----|---|-----|--|-----|---|-----|
| A | X36 | B | X36 | C | X34 | D | X12 |
|  | |  | |  | |  | |
| ø6x41mm | | ø15x11 | | ø8x40 | | M4x35mm | |
| E | X68 | F | X8 | G | X4 | H | X4 |
|  | |  | |  | |  | |
| Ø3.5×14mm | | M5x40 | | Ø3.5×16mm | | M4x18 | |
| I | X1 | J | X10 | K | X2 | L | X36 |
|  | |  | |  | |  | |
| | | Ø3×14mm | | | | Ø20 | |
| M | X3 | | | N | X4 | O | X1 |
|  | | | |  | |  | |
| 300mm | | | | M4x16mm | | | |
| P | X4 | Q | X4 | R | X1 | S | X1 |
|  | |  | |  | |  | |
| T | X1 | U | X8 | V | X1 | | |
|  | |  | |  | | | |
| Ø60 | | | | | | | |

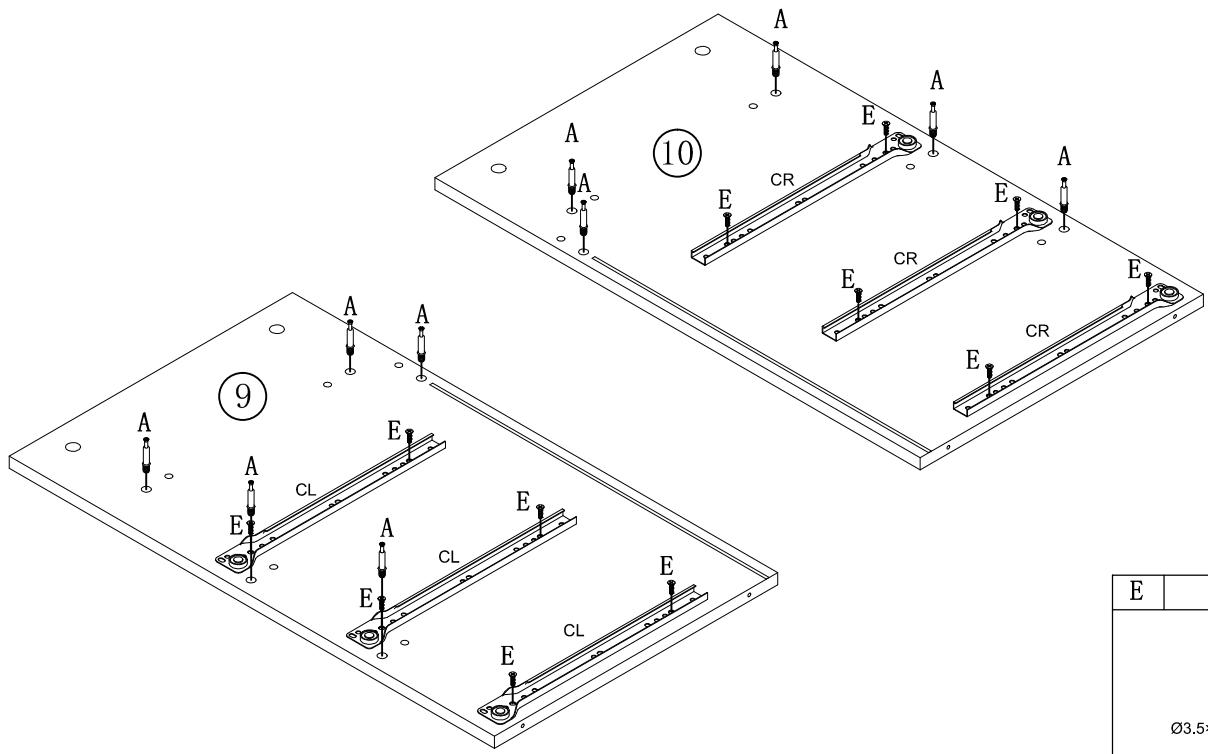
1






| | |
|--|----|
| E | X2 |
|  Ø3.5×14mm | |

| | | | |
|---|----|--|----|
| R | X1 | A | X6 |
|  | |  Ø6×41mm | |

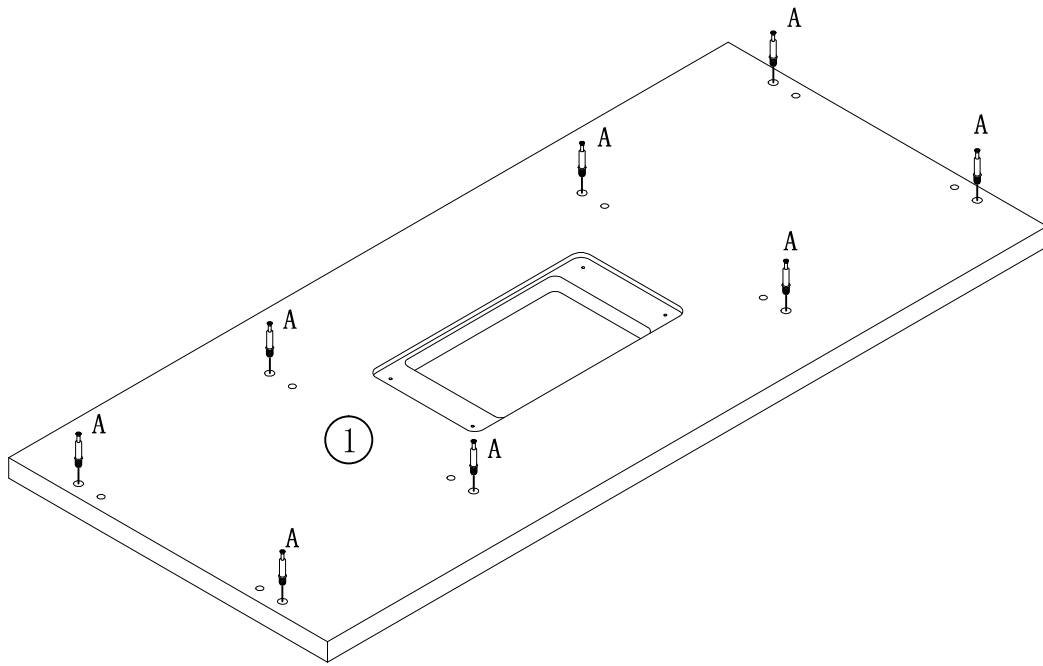
2




| | |
|--|-----|
| E | X12 |
|  Ø3.5×14mm | |

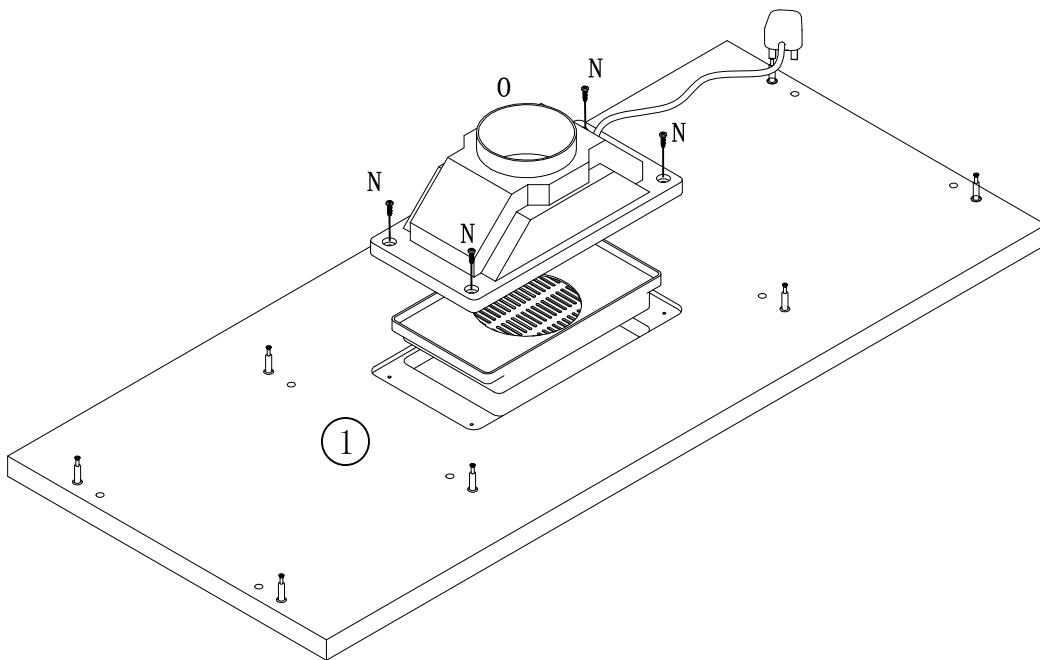
| | | | |
|--|----|--|-----|
| M | X3 | A | X10 |
|  CL CR | |  Ø6×41mm | |


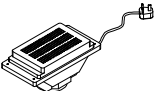
3



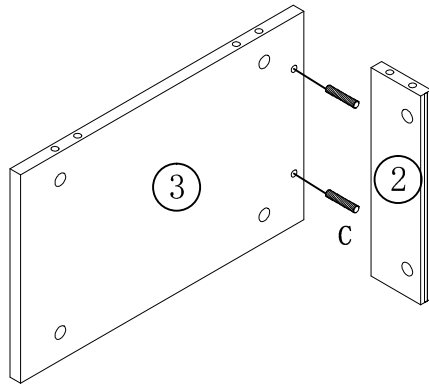
| | |
|---|----|
| A | X8 |
|  | |
| Ø6x41mm | |

4




| | | | |
|---|----|---|----|
| N | X4 | O | X1 |
|  | |  | |
| M4x16mm | | | |

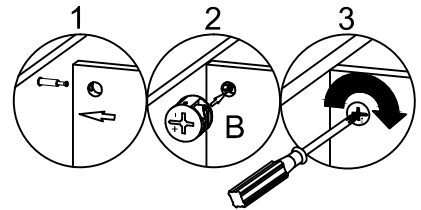
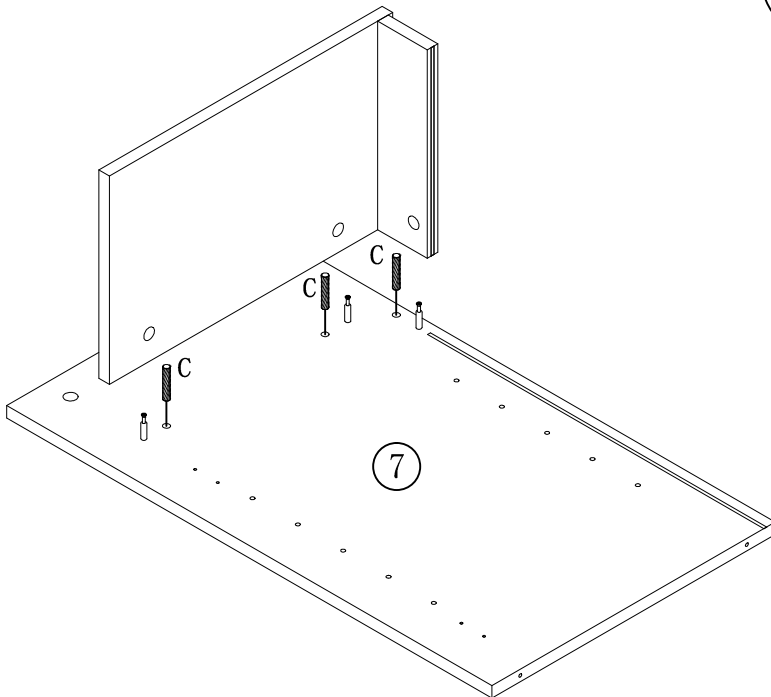
5





X 2

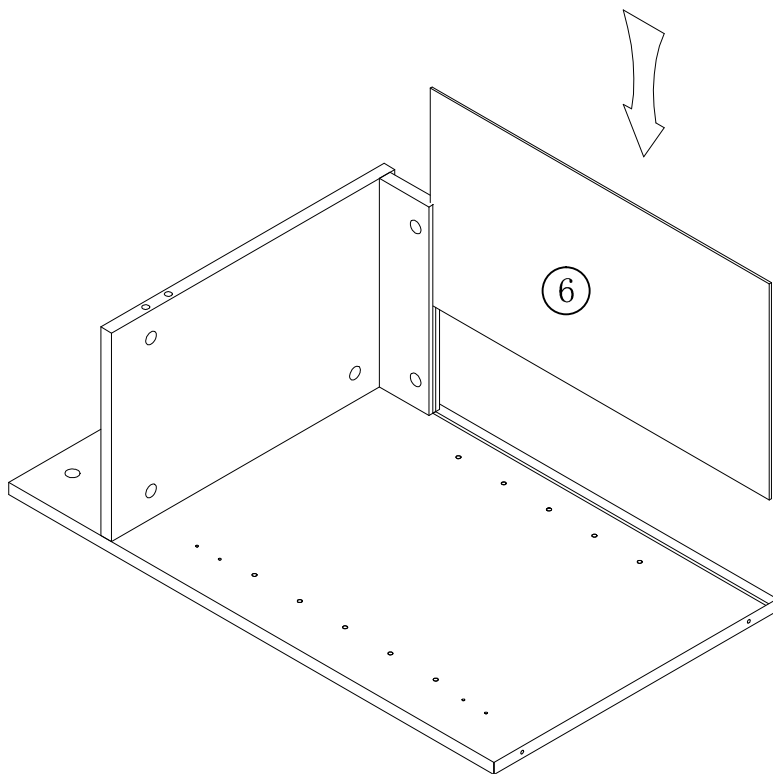
| | |
|--|----|
| C | X4 |
|  ø8x40 | |

6

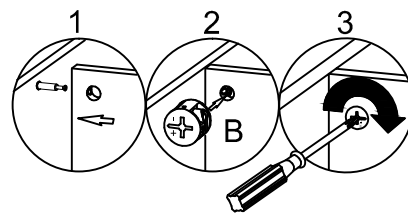
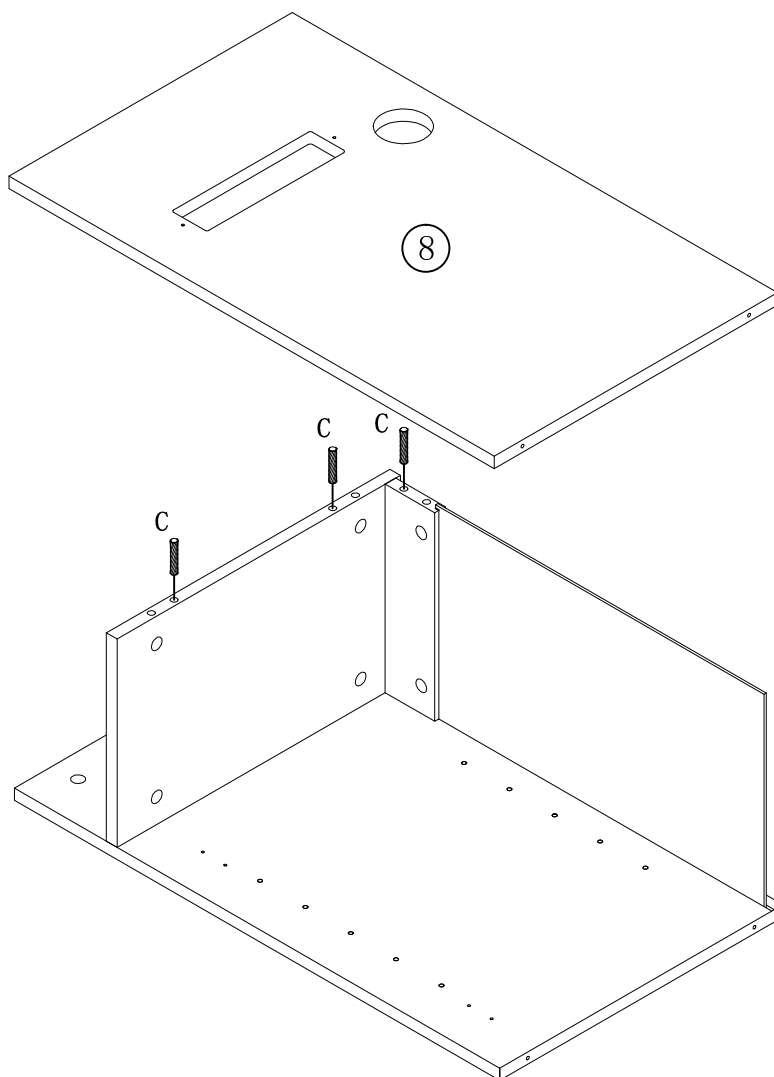




| | | | |
|---|----|--|----|
| B | X3 | C | X3 |
|  ø15x11 | |  ø8x40 | |

7

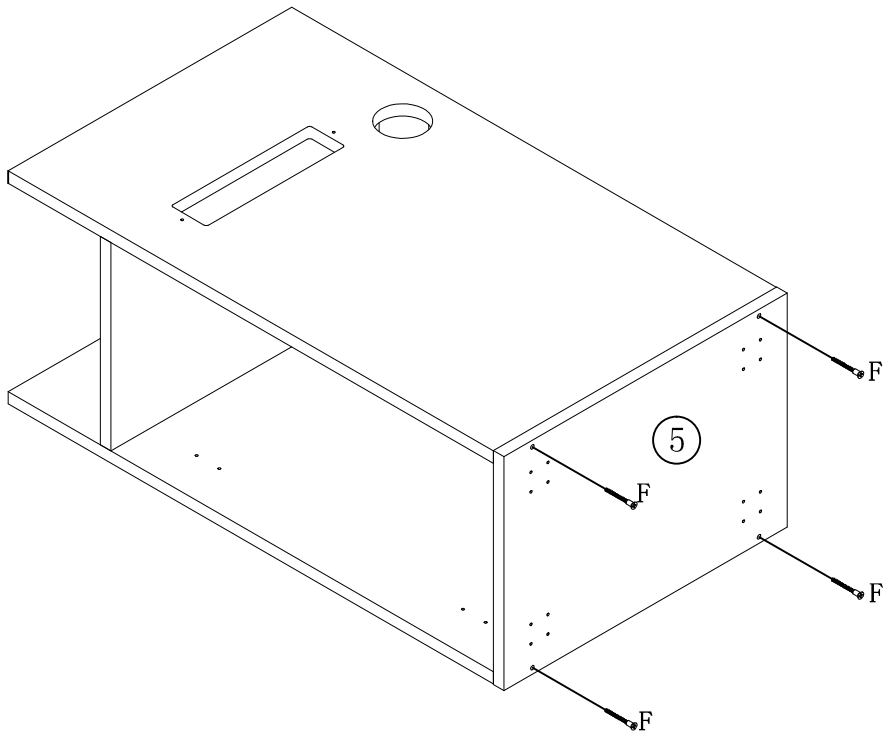



8



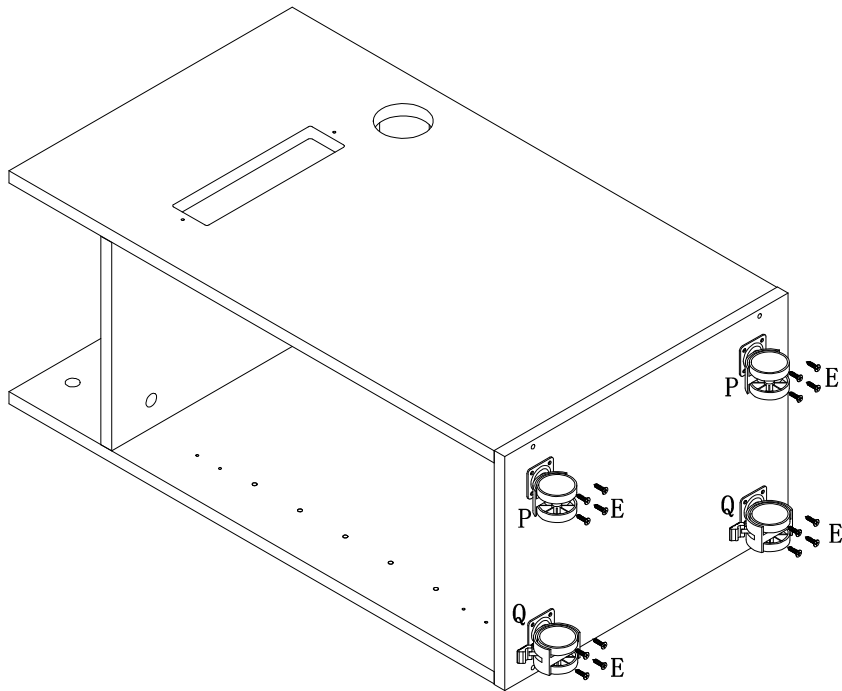
| | |
|---|----|
| B | X3 |
|  Ø15x11 | |
| C | X3 |
|  Ø8x40 | |




9



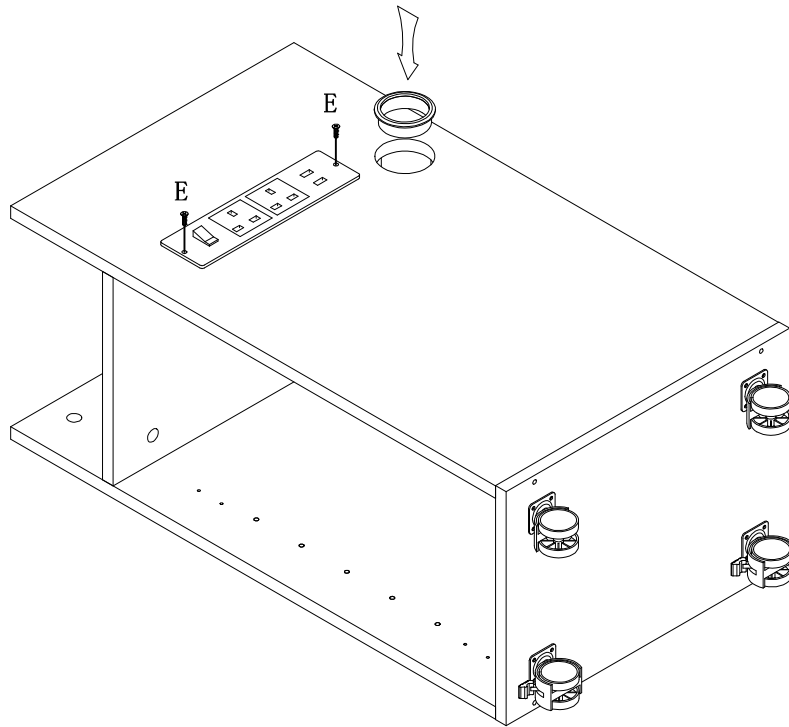
| | |
|--|----|
| F | X4 |
|  M5x40 | |


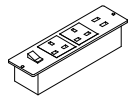
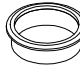
10



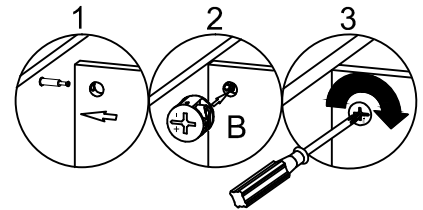
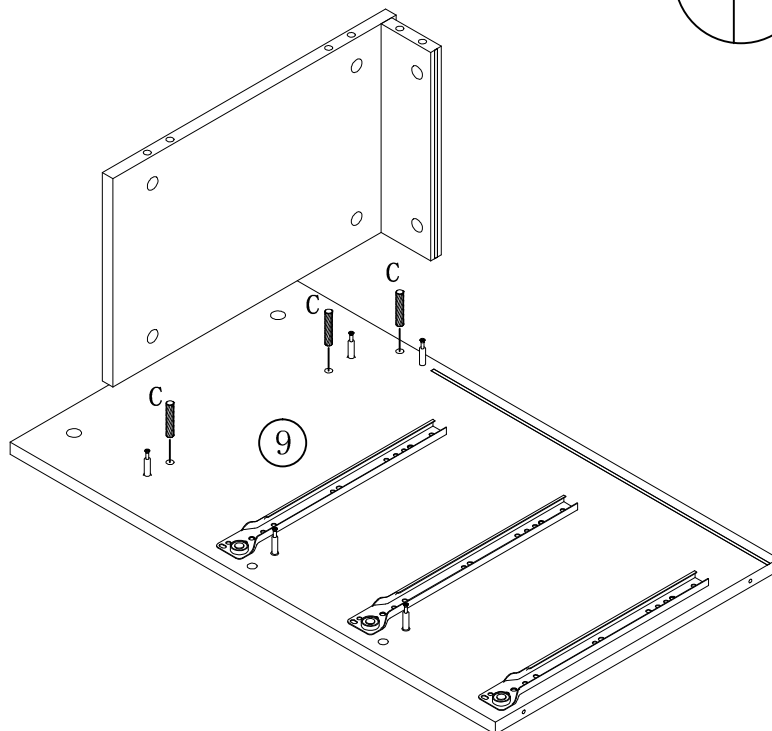
| | |
|--|-----|
| E | X16 |
|  Ø3.5x14mm | |
| P | X2 |
|  | |
| Q | X2 |
|  | |


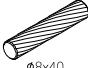
11



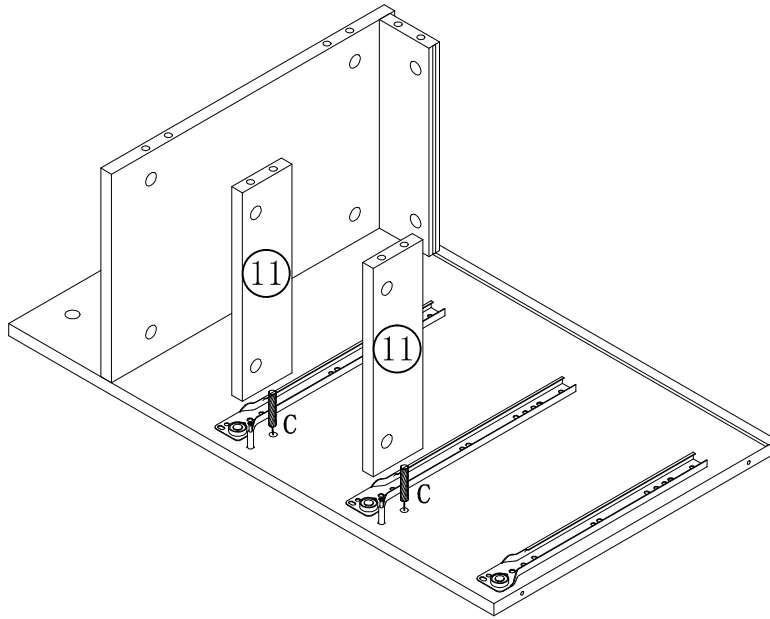
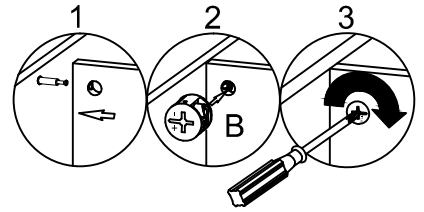
| | |
|--|----|
| E | X2 |
|  Ø3.5×14mm | |
| I | X1 |
|  | |
| T | X1 |
|  Ø60 | |



12



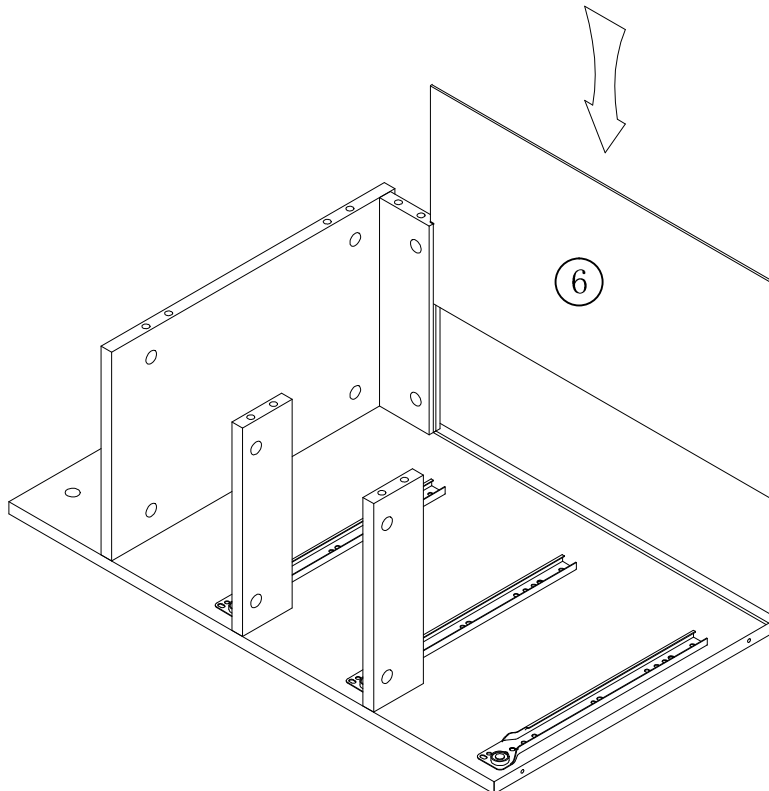
| | |
|---|----|
| B | X3 |
|  Ø15×11 | |
| C | X3 |
|  Ø8×40 | |

13

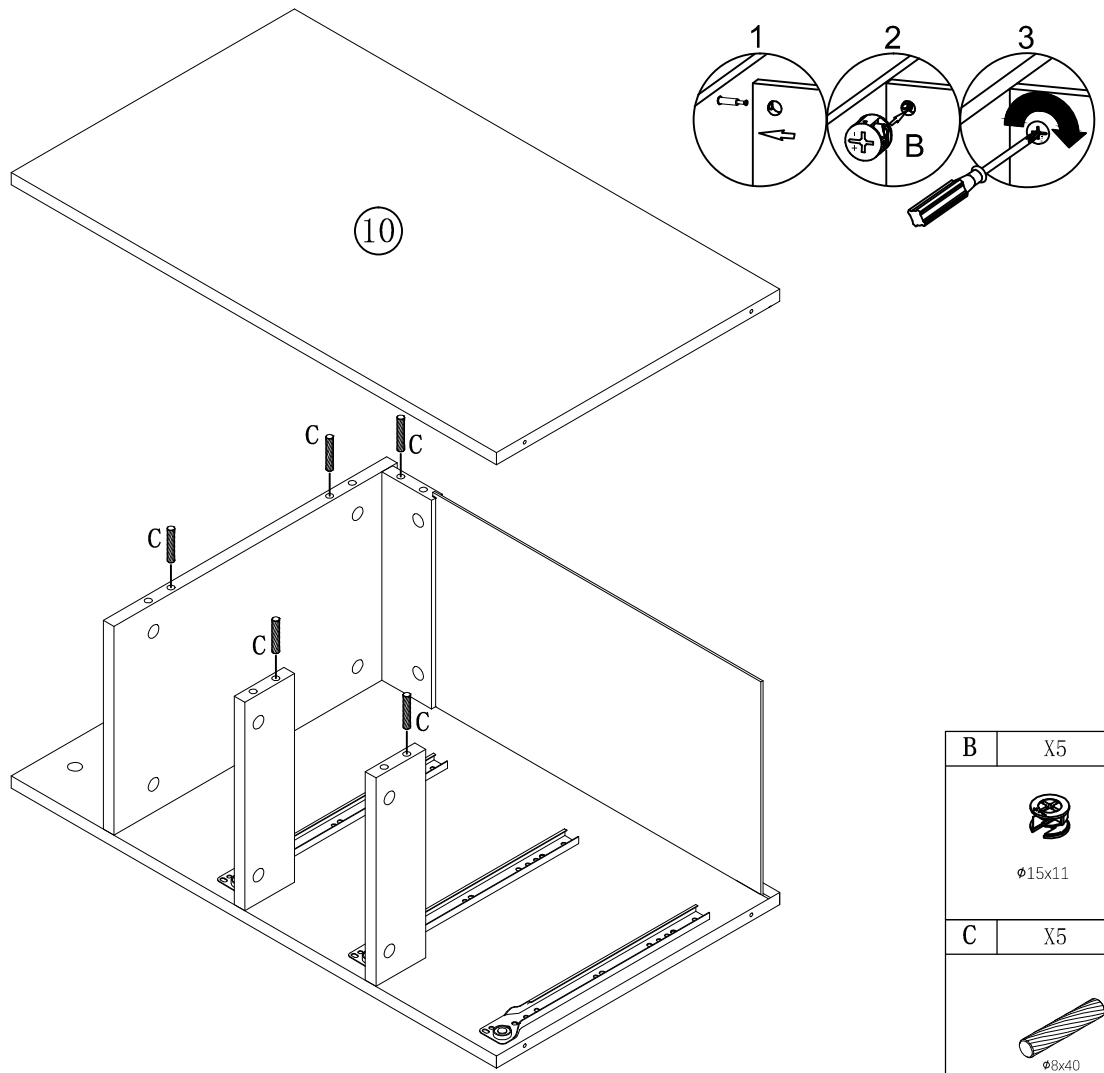


| | |
|---|--------|
| B | X2 |
|  | |
| | Ø15x11 |
| C | X2 |
|  | |
| | Ø8x40 |

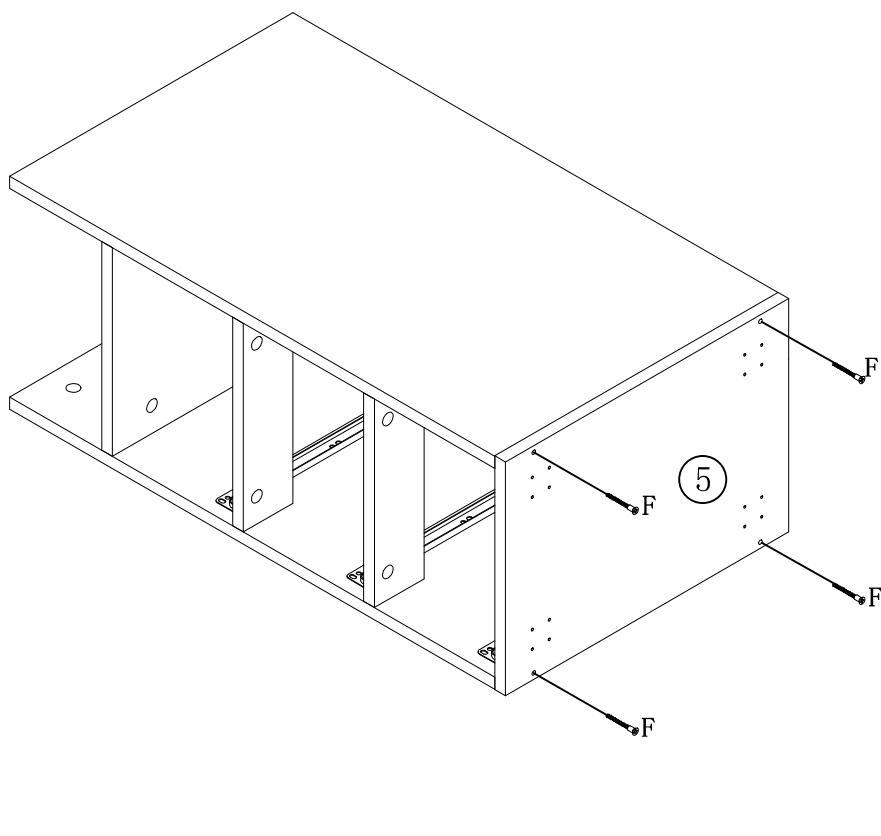
14



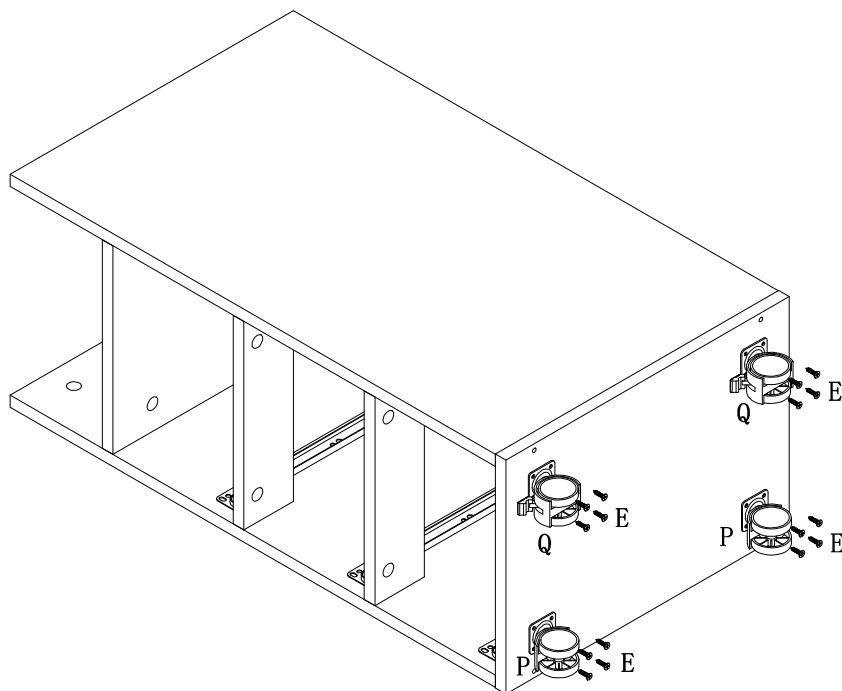
15






16

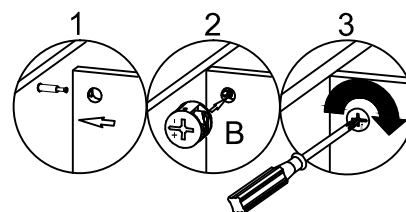
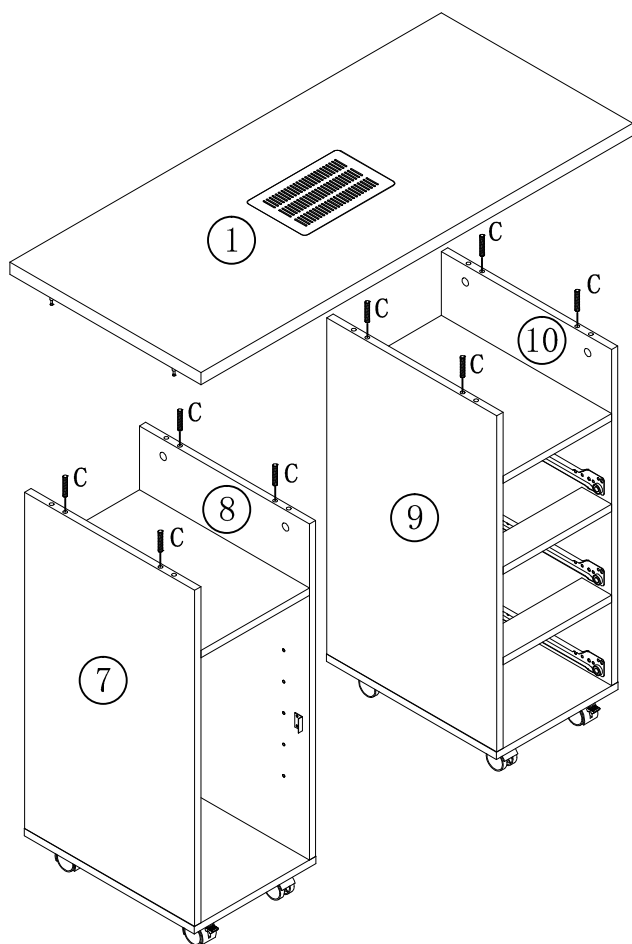




17



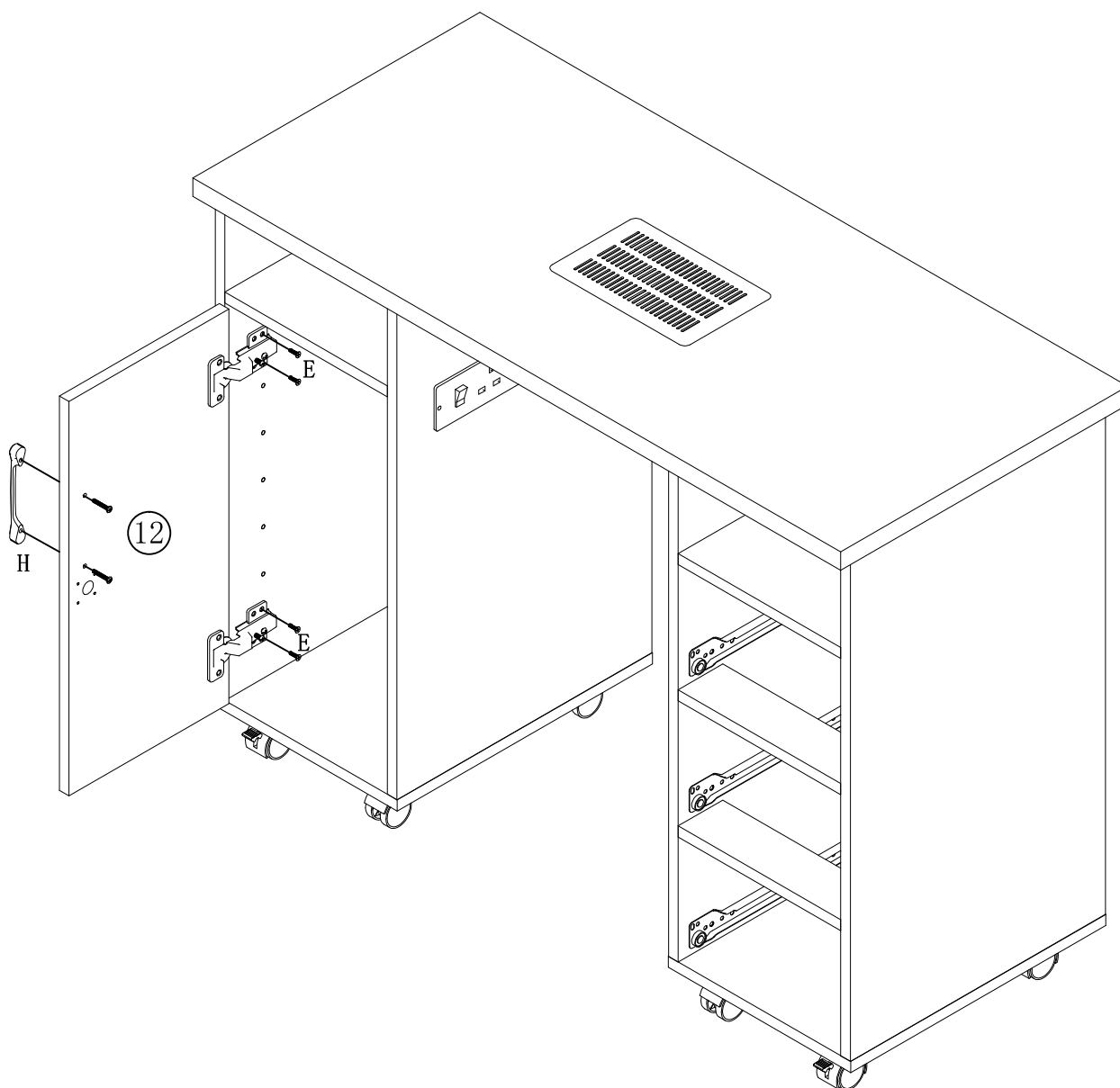
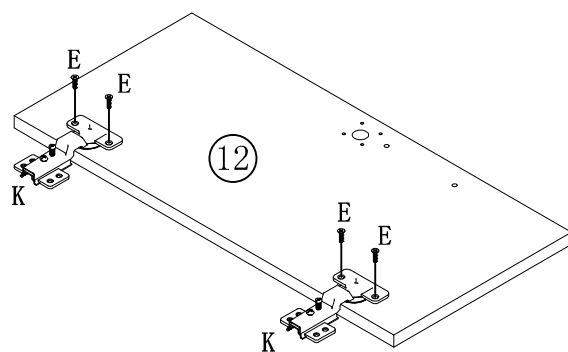
| | |
|---|-----|
| E | X16 |
|  $\text{Ø}3.5 \times 14\text{mm}$ | |
| P | X2 |
|  | |
| Q | X2 |
|  | |




18

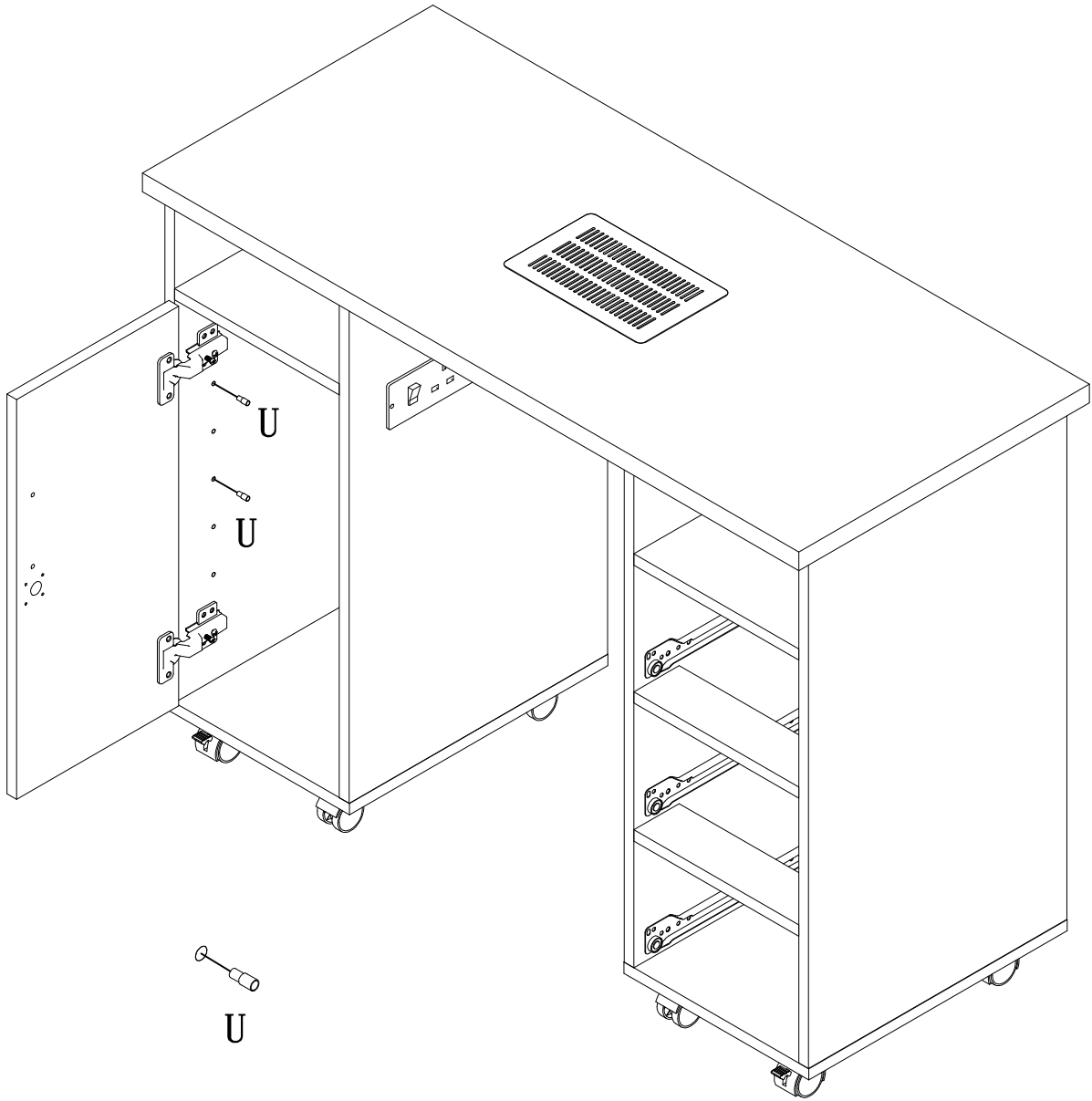



| | |
|---|----|
| B | X8 |
|  $\text{Ø}15 \times 11$ | |
| C | X8 |
|  $\text{Ø}8 \times 40$ | |

19

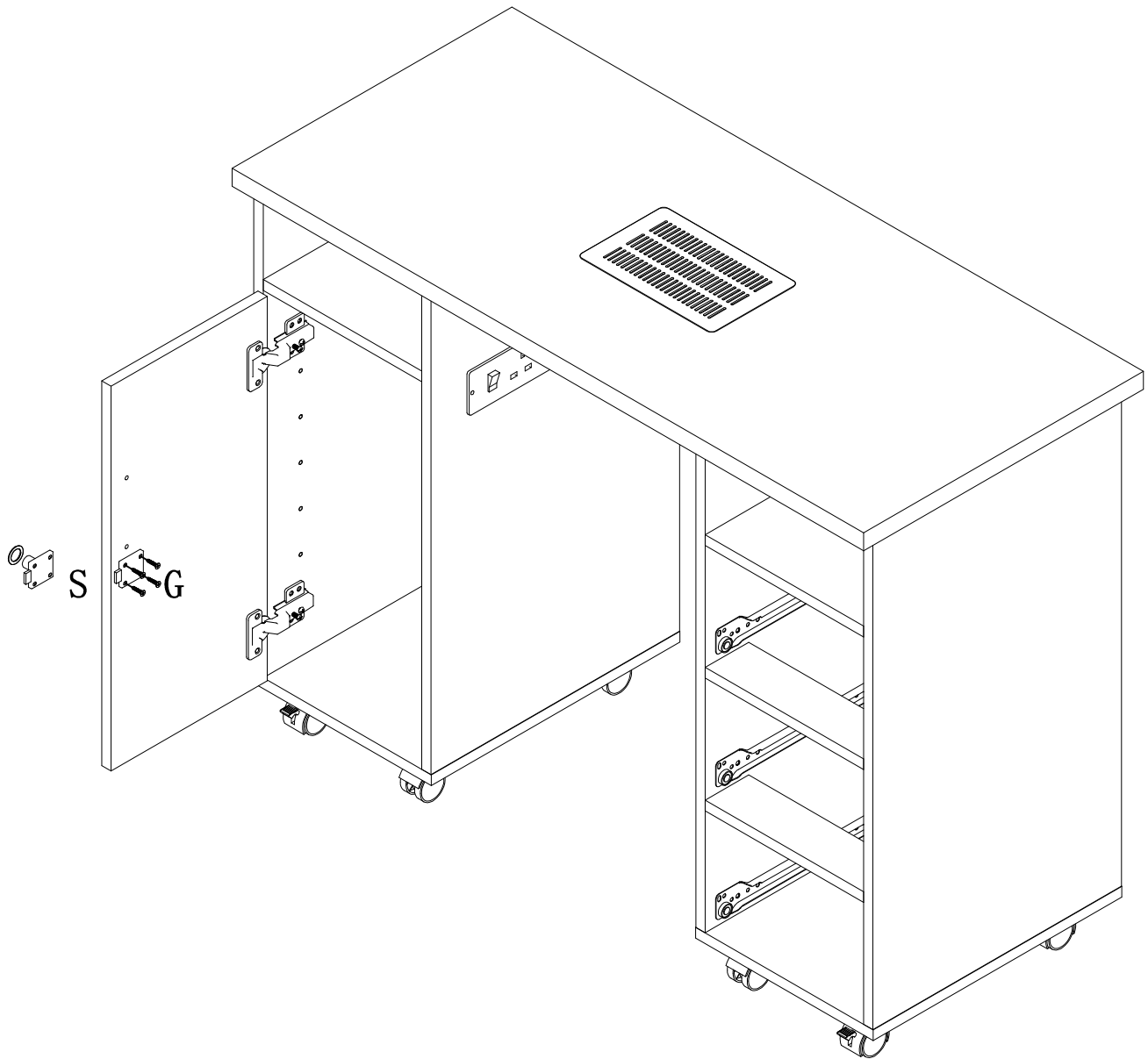



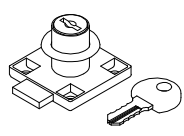
| K | X2 | E | X8 | H | X1 |
|---|----|---|-----------------------------------|---|----|
|  | |  | $\text{\O}3.5 \times 14\text{mm}$ |  | |

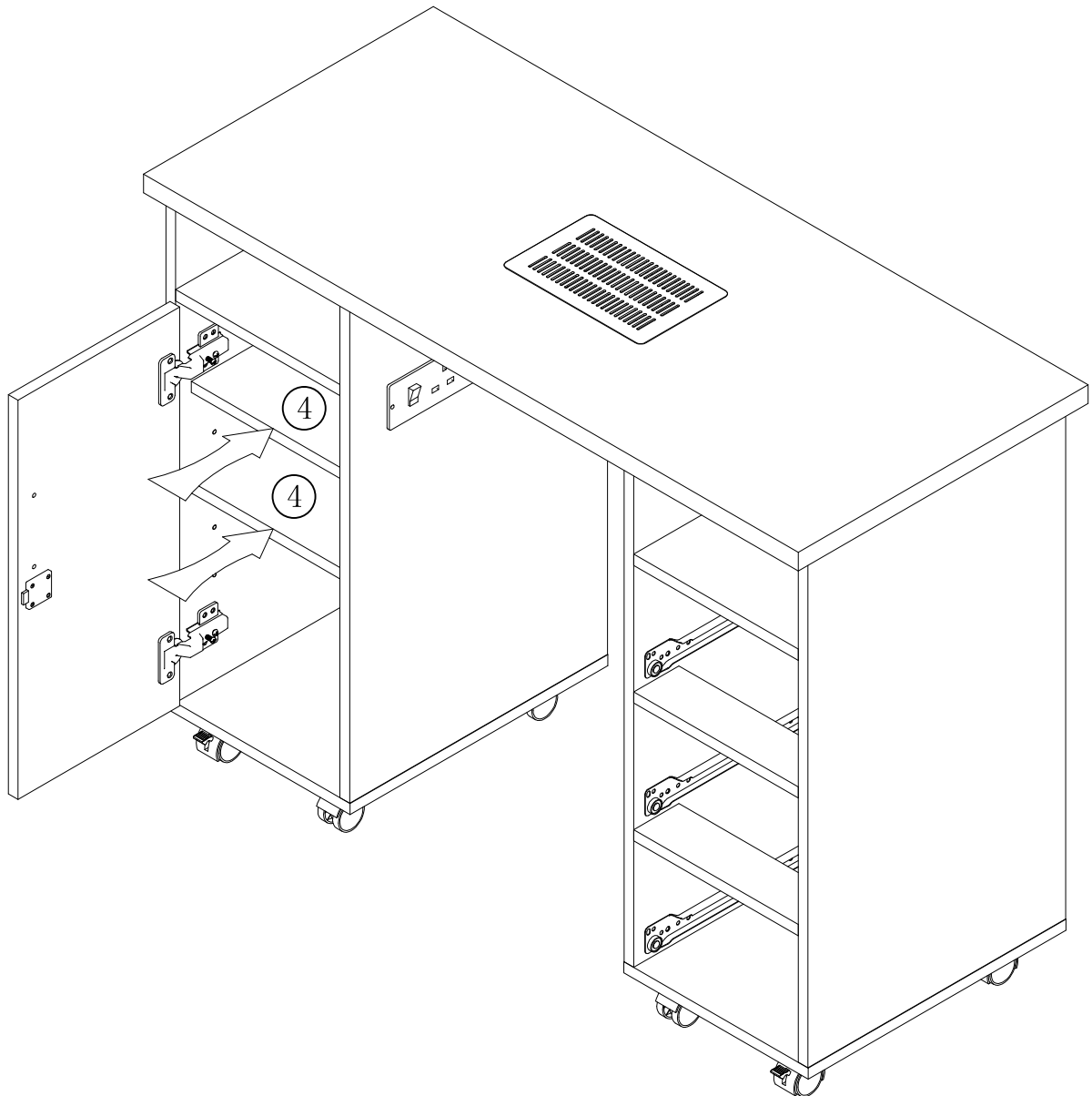


| | |
|---|----|
| U | X8 |
|  | |

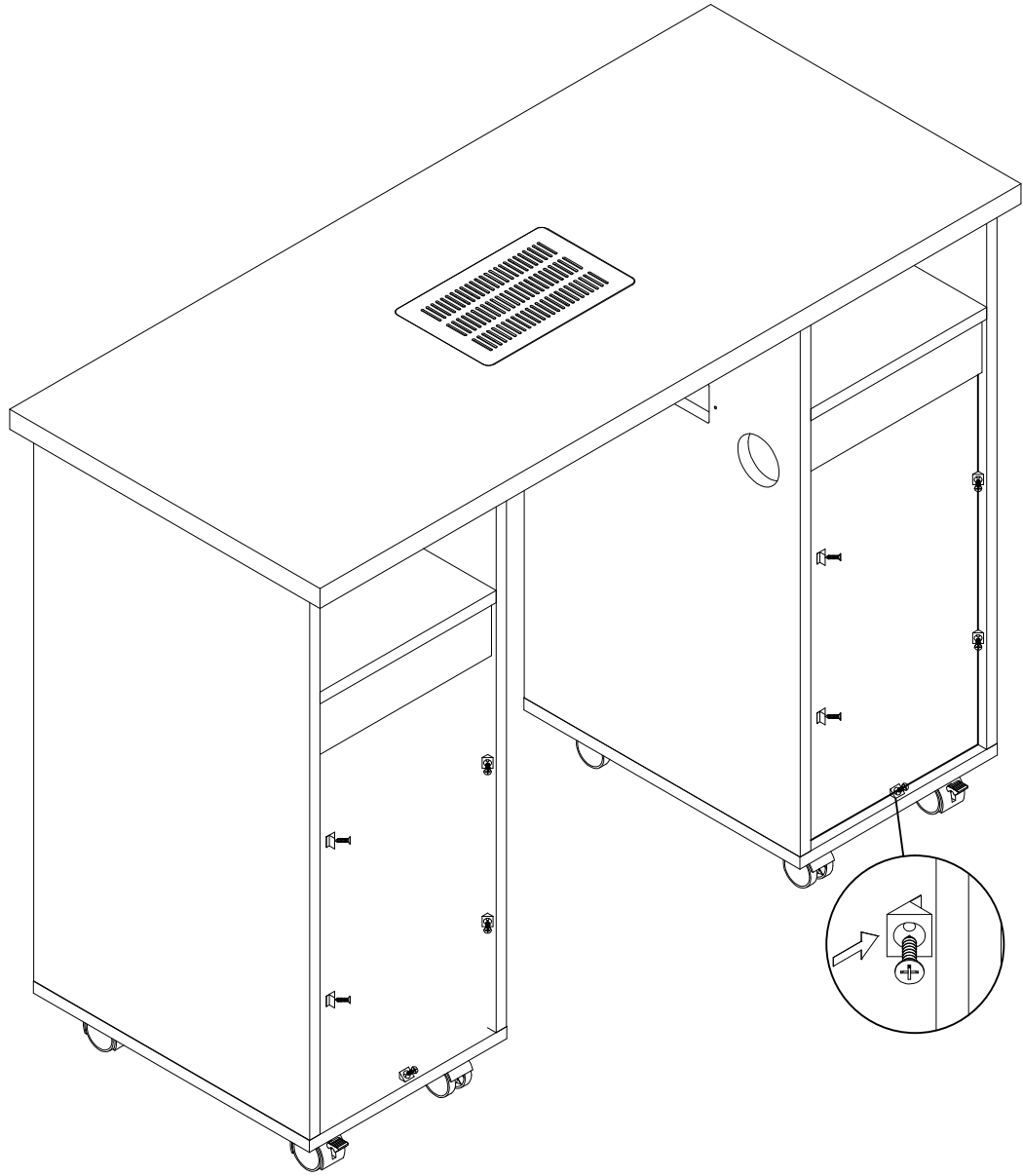
21



| G | X4 | S | X1 |
|---|--|---|---|
| |  Ø3.5×16mm | |  |



23



J

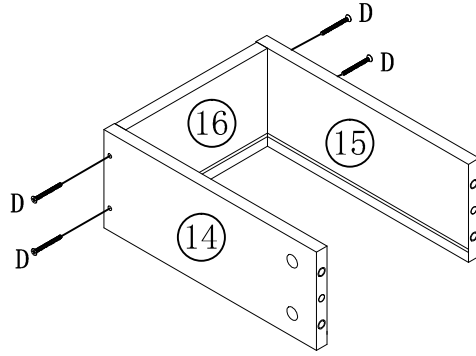
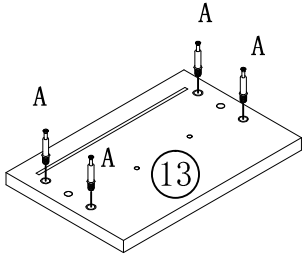
X10



Ø3×14mm

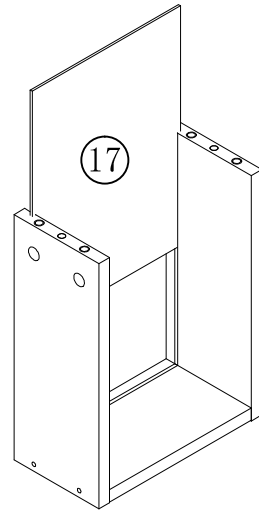
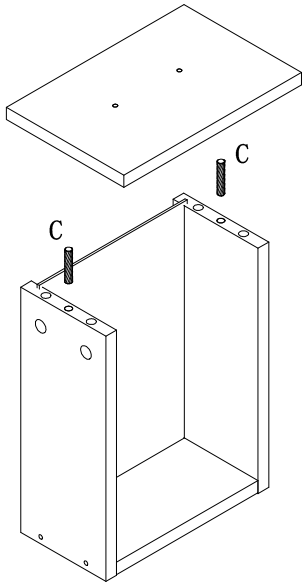
24

X3



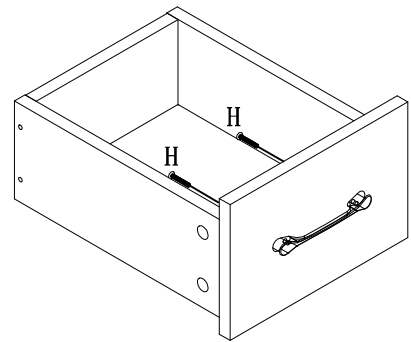
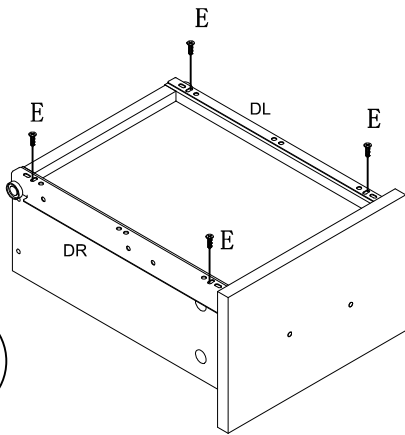
X3

X3



X3

X3

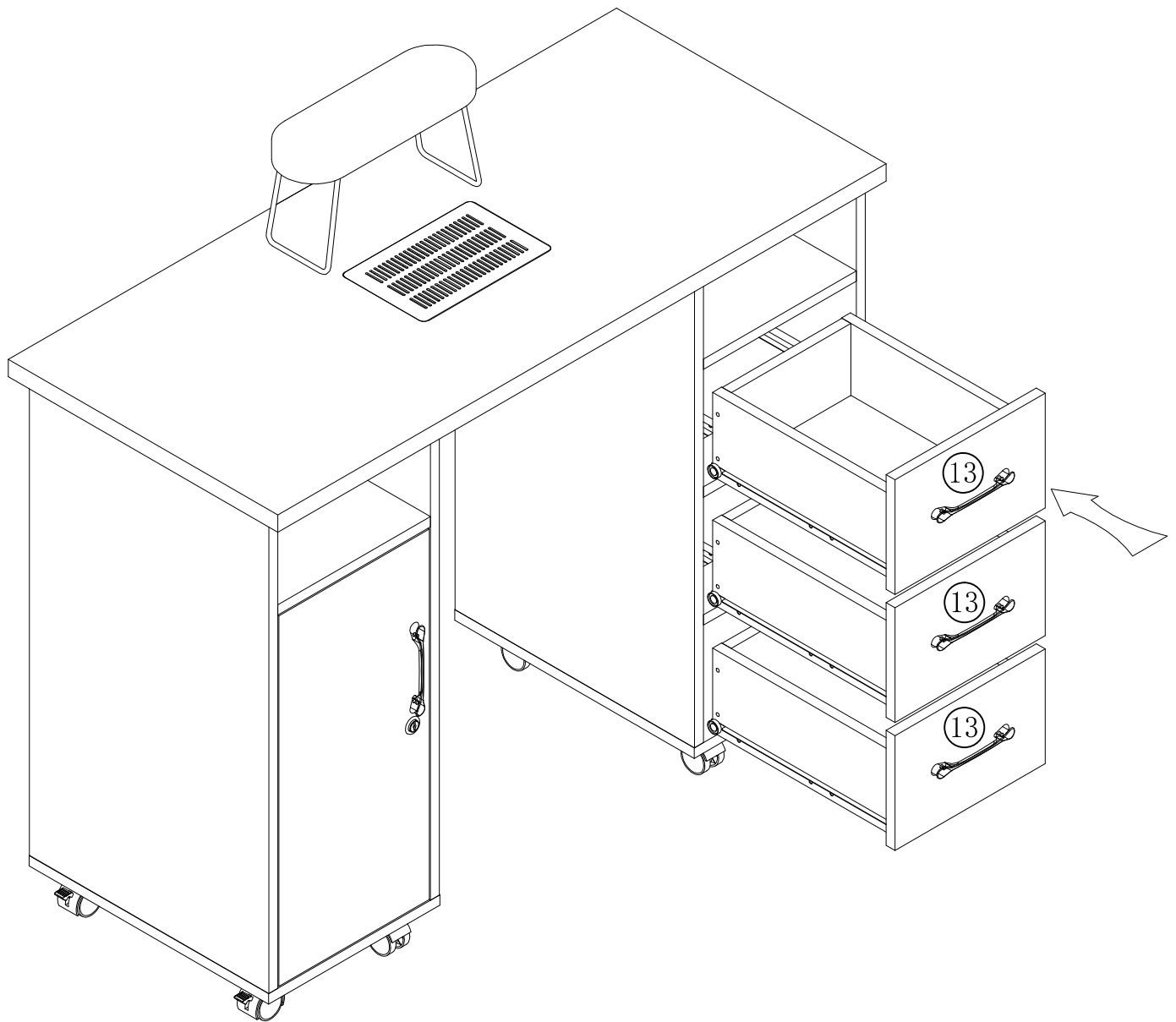


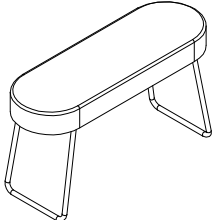
X3

| | |
|---|----|
| M | X3 |
| | |

| | | | | | | | | | | | |
|---|-----|---|-----|---|----|---|-----|---|-----|---|----|
| A | X12 | B | X12 | C | X6 | D | X12 | E | X12 | H | X3 |
| | | | | | | | | | | | |

25



| V | X1 |
|---|----|
|  | |