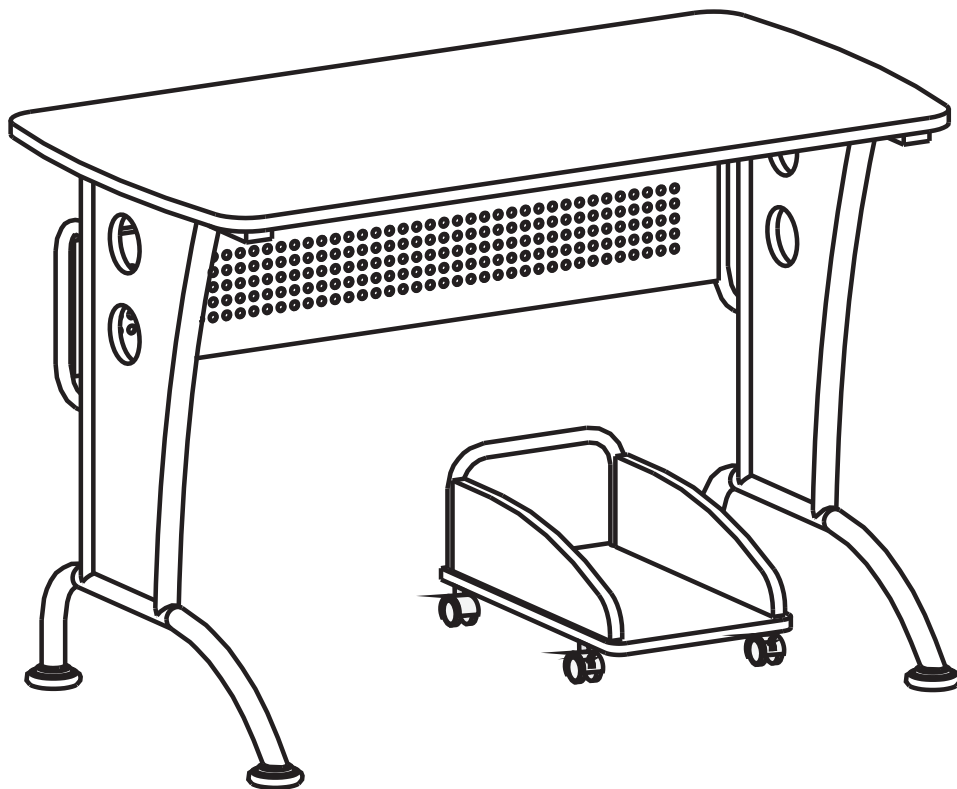


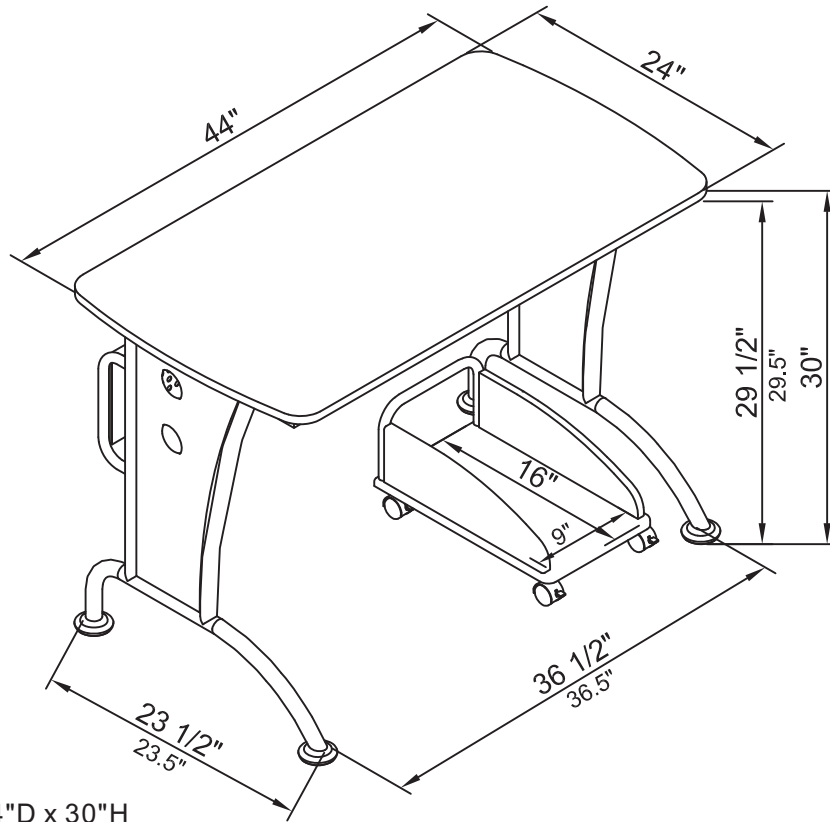
English

ASSEMBLY INSTRUCTIONS

Thanks for purchasing one of our products.
Please read carefully the assembly instructions before the installation.
Please save this manual for future reference.

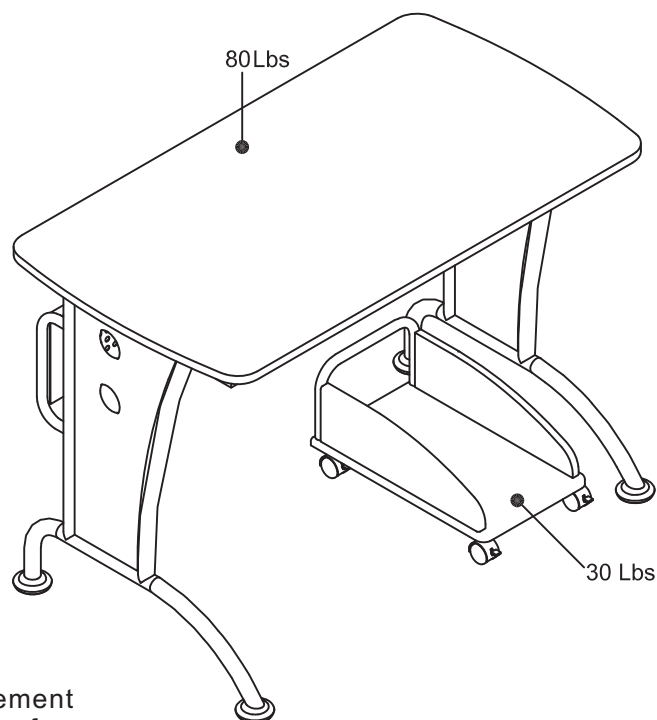


DIMENSIONS

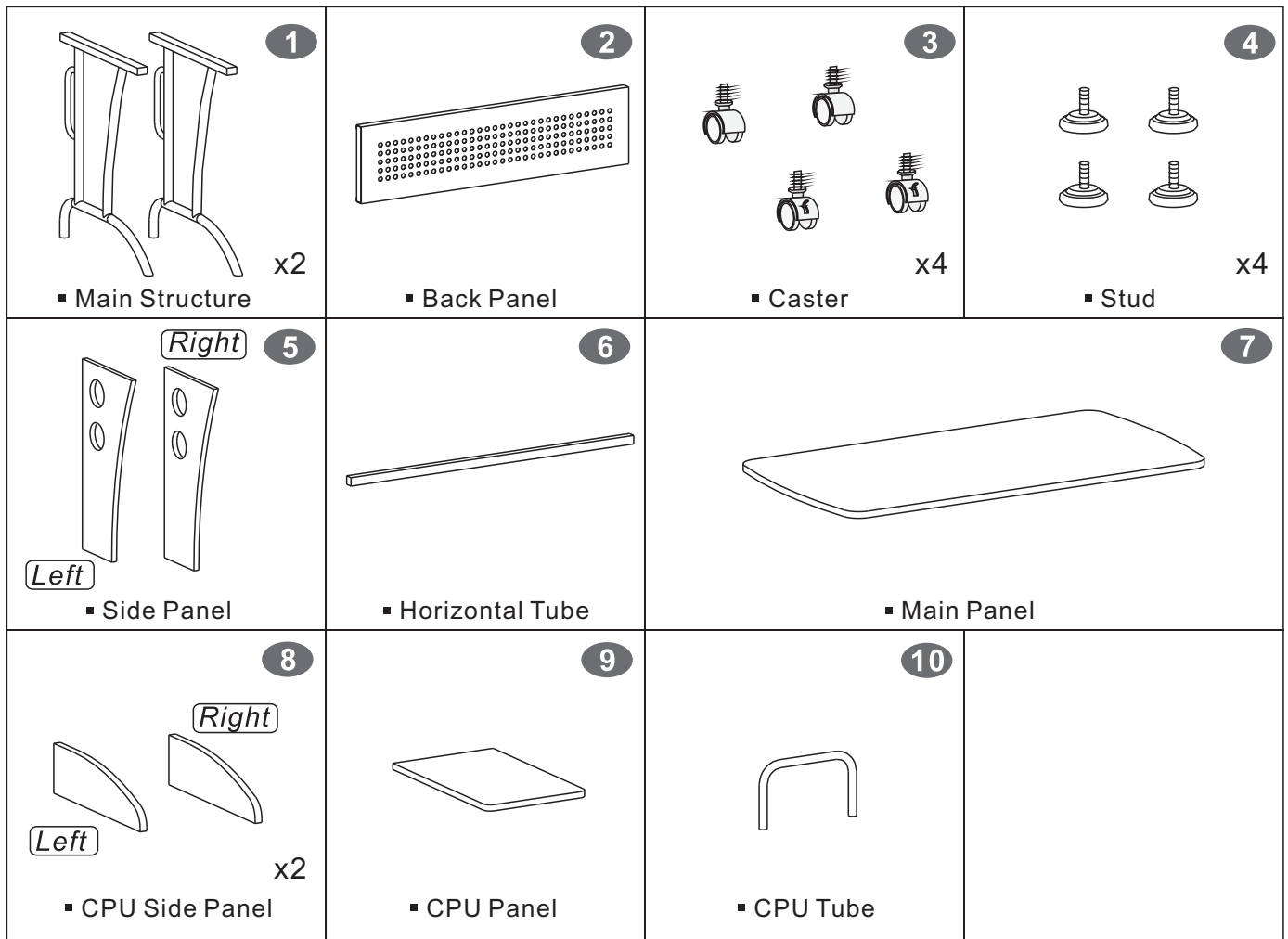


Product Size: 44"W x 24"D x 30"H

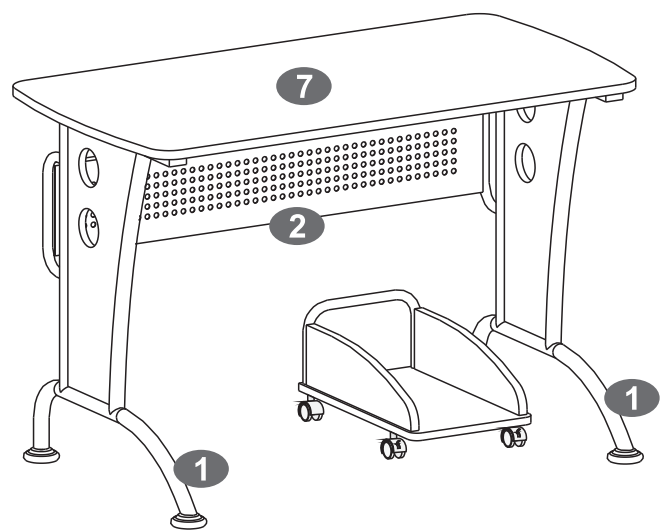
MAXIMUM WEIGHT CAPACITIES



DO NOT exceed this limit
Please use care and good judgement
when placing objects on wood surface



PART	QTY.	ITEM	
A	8	5X45 MM	
B	2	6X50 MM	
C	4	6X45 MM	
D	12	6X35 MM	
	1		
	1		

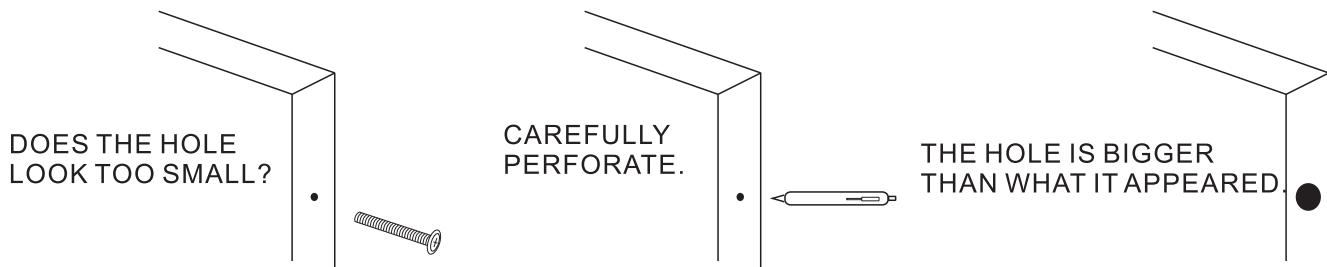


GENERAL ASSEMBLY TIPS AND TROUBLESHOOTING DURING ASSEMBLY:

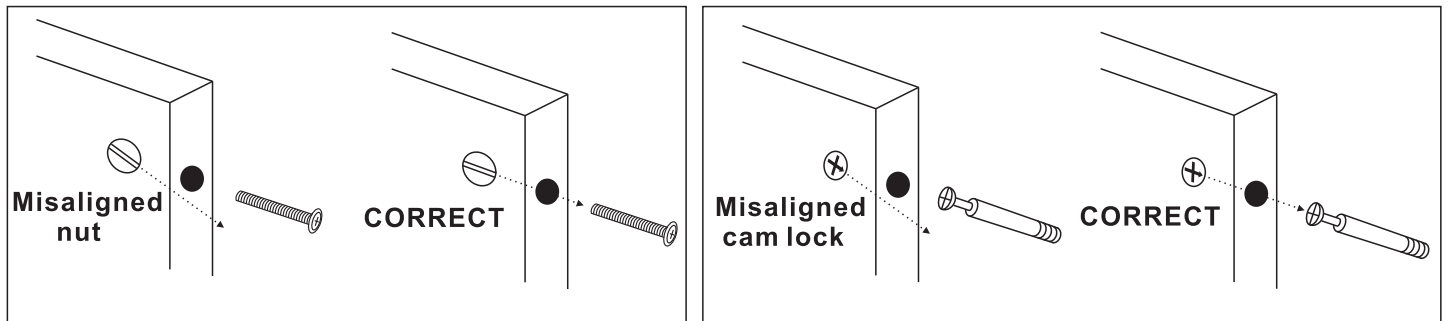
***Before you start assembling, make sure you have all the parts and necessary hardware by doing a quick inventory.**

***On each step, and to avoid misalignments, always leave screws loose, and do not tighten them until all are in place.**

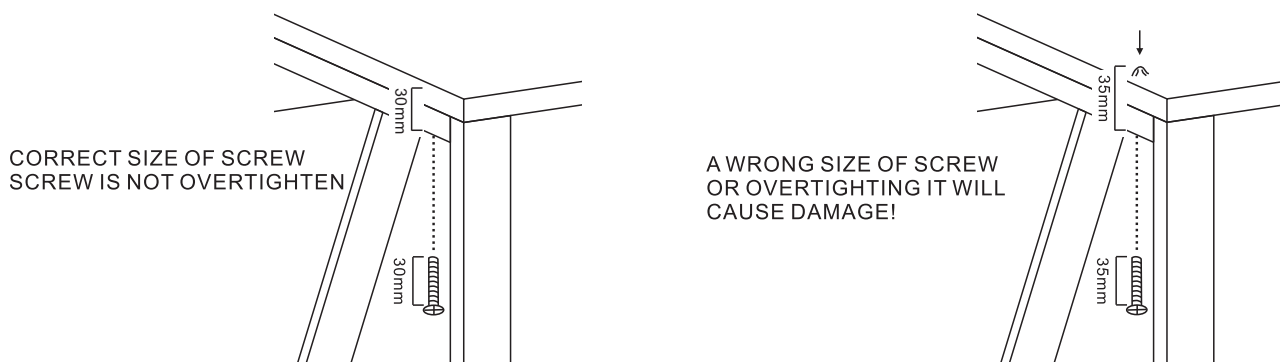
***In wood panels, the laminate might be covering the holes.**
If there are no visible holes: Pass the tip of your finger around the area where the hole should be, and press against the surface to feel the indentation.
If the hole looks too small for the screw or bolt: carefully perforate the laminate with the tip of a pen.



***In wood panels, some might have inserts that look like screws. Those inserts are either nuts or cam locks. Make sure they are aligned to receive the screws or bolts.**

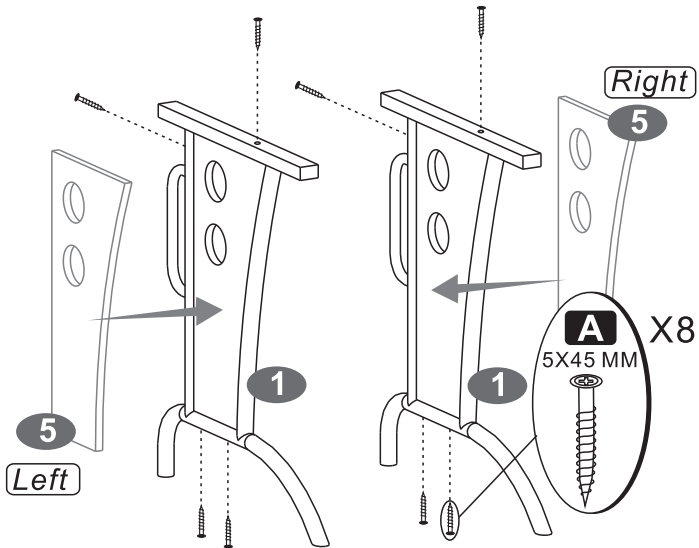


***Make sure to use the correct screws or bolts, and do not overtighten them.**
Using wrong screws or overtightening them might cause damage to the parts, and such damage is not covered by the product's warranty.



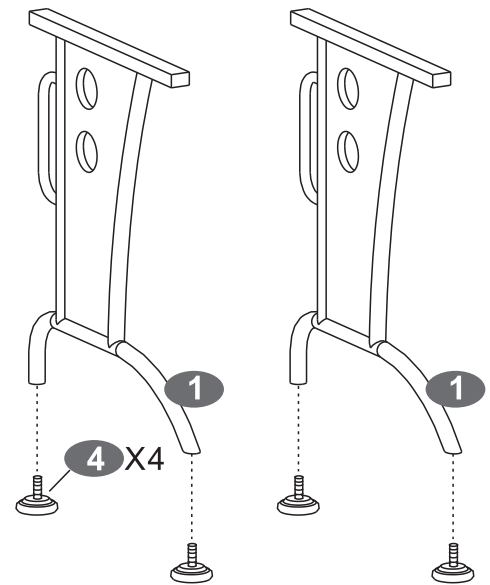
■ Steps

1



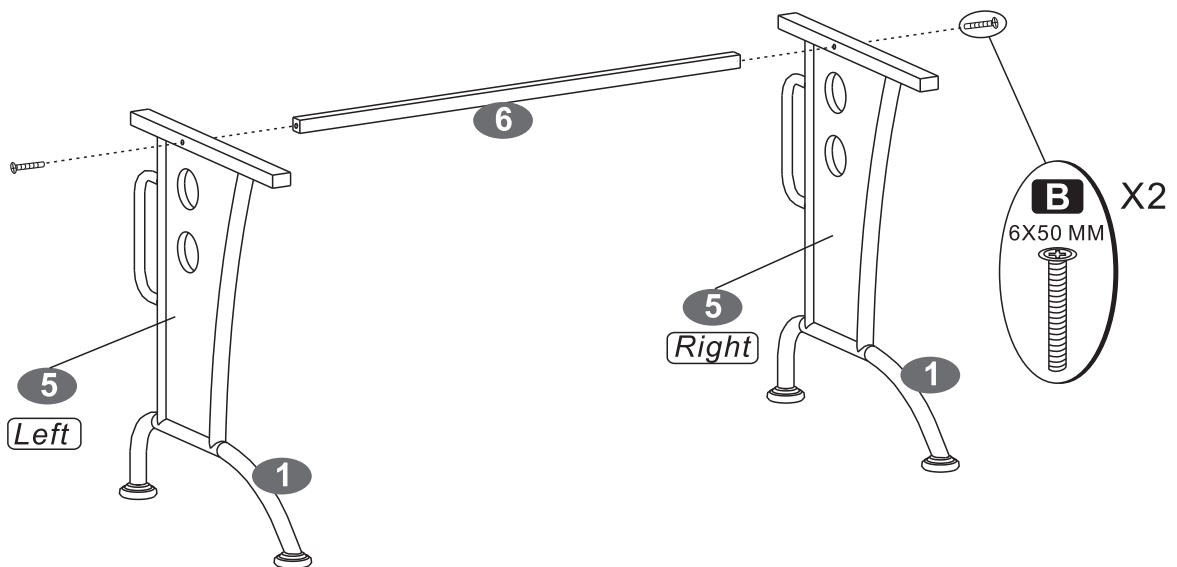
■ Use Screws (A) to assemble the Side Panels (5) to the Main Structures (1).

2



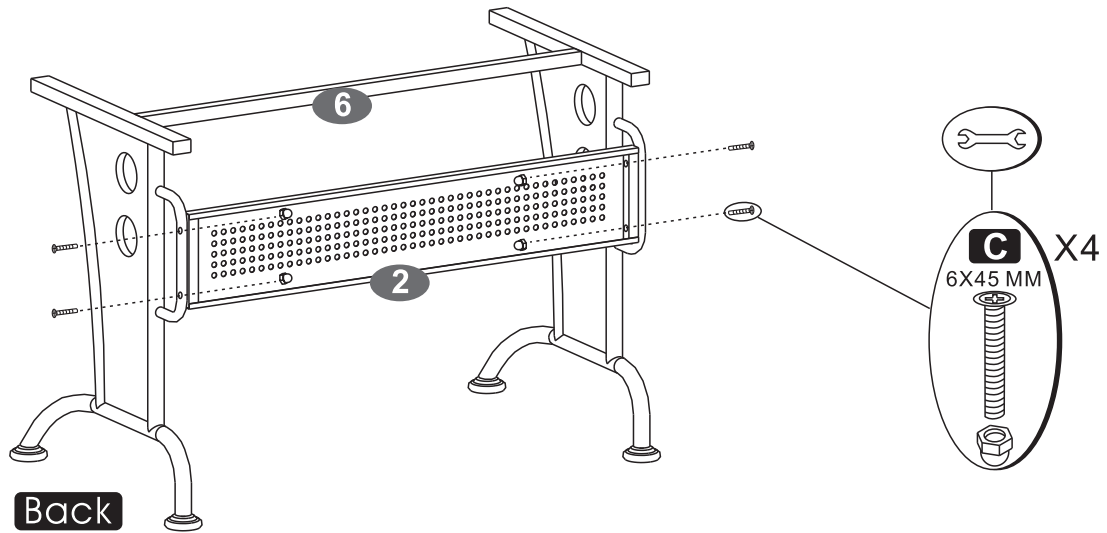
■ Insert the Studs (4) to the Main Structures (1).

3



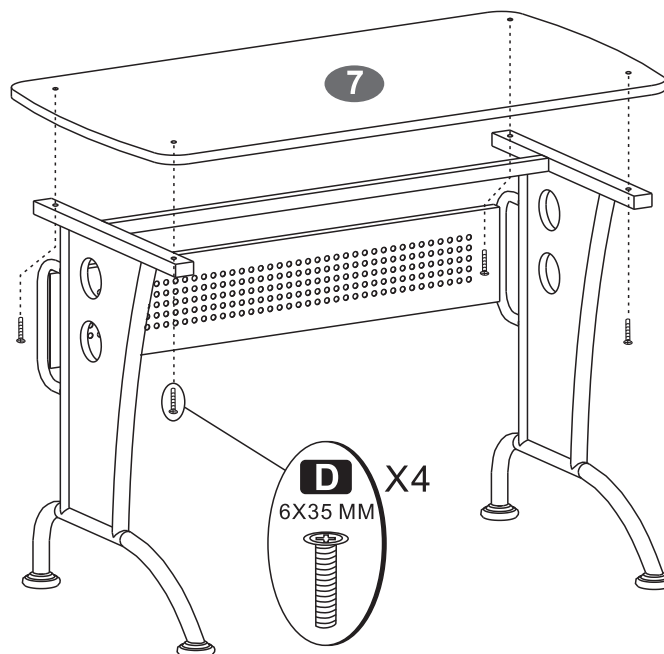
■ Use Screws (B) to assemble the Horizontal Tube (6) between the Main Structures (1).

4



- Use Screws (C) to assemble the Back Panel (2) between the Main Structures (1).

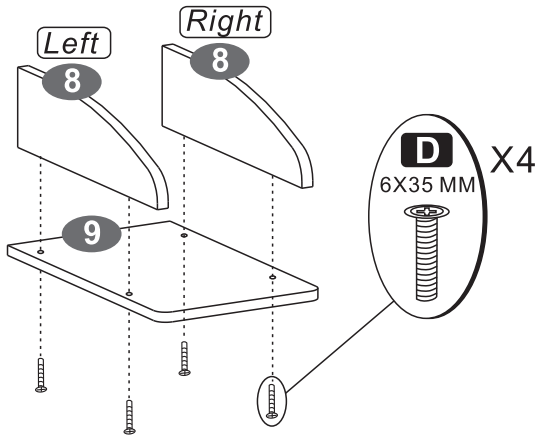
5



- Use Screws (D) to assemble the Main Panel (7) to the Main Structures (1).

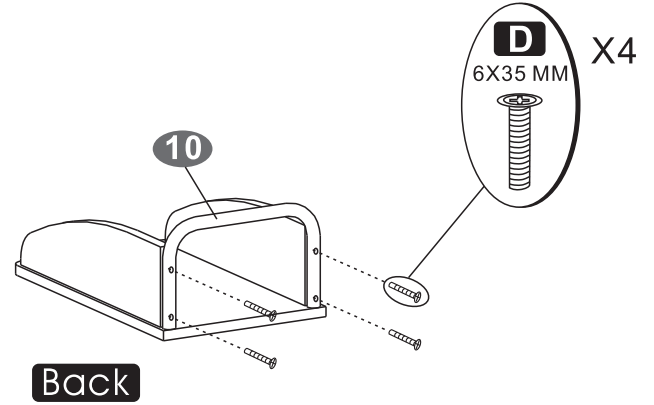


6



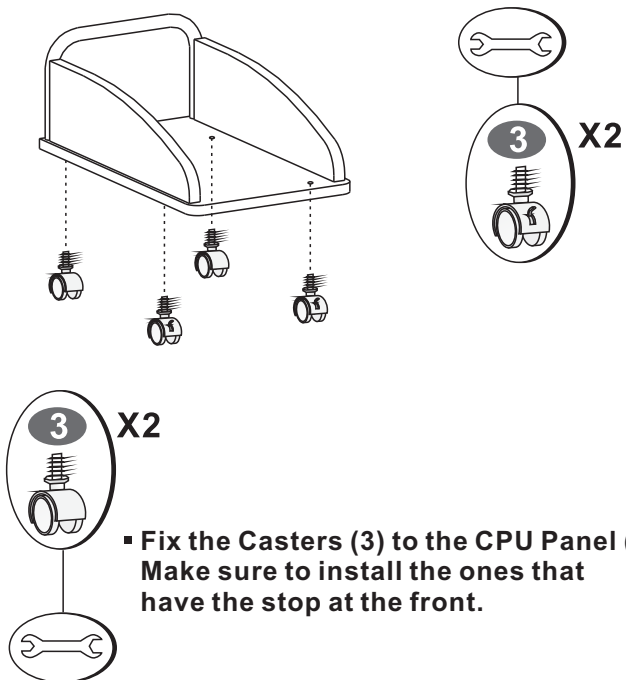
▪ Use Screws (D) to assemble the CPU Side Panel (8) to the CPU Panel (9).

7



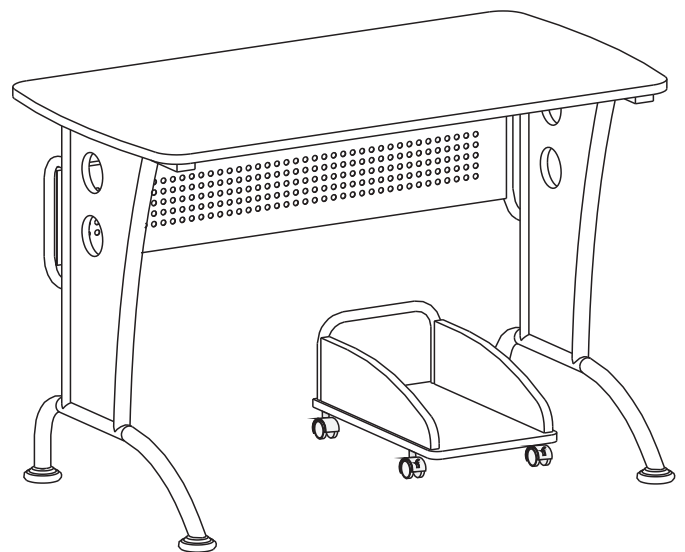
▪ Use Screws (D) to assemble the CPU Tube (10) to the CPU Side Panel (8).

8



▪ Fix the Casters (3) to the CPU Panel (9). Make sure to install the ones that have the stop at the front.

9



▪ Tighten all the screws and enjoy your unit!

CARE AND MAINTENANCE

English

- DO NOT EXPOSE THE SURFACES TO DIRECT SUNLIGHT, OR EXTREME ENVIRONMENTAL CONDITIONS. EXPOSURE WILL DAMAGE THE PRODUCT, WHICH IS NOT COVERED BY THE WARRANTY.
- DO NOT USE SOLVENTS OVER SURFACES OR STRUCTURAL TUBES. SURFACES MUST BE CLEANED WITH A SOLUTION OF A SMOOTH SOAP AND WATER, THEN CLEARED WITH A DRY TOWEL.
- PRODUCTS THAT ARE HEAVY SHOULD BE LIFTED OR MOVED BY AT LEAST 2 PERSONS, AND ALL OBJECTS SHOULD BE REMOVED FROM THE PRODUCT.

PRODUCT WARRANTY

TECHNI MOBILI DESK WARRANTY
LIMITED WARRANTY