

ASSEMBLY INSTRUCTION

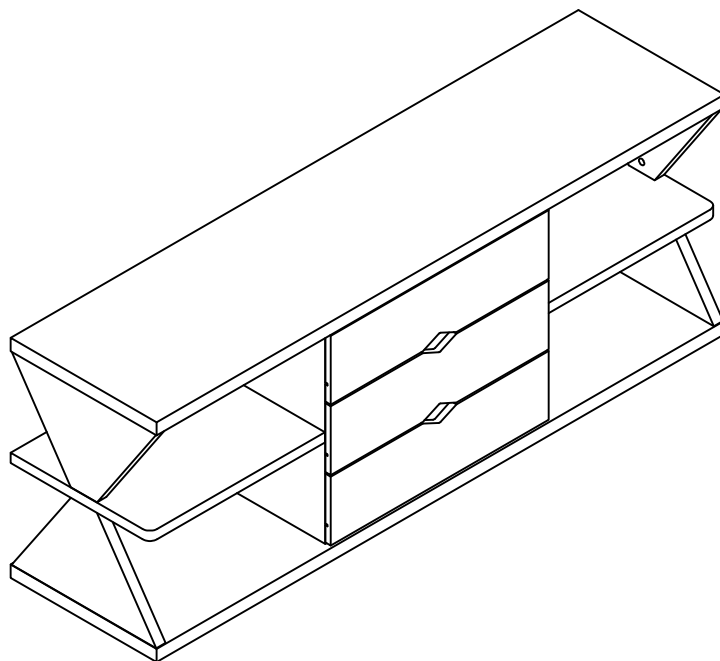
PLEASE READ BEFORE ASSEMBLING!

Tip #1: Make sure you've taken all the pieces and hardware out of its packaging before discarding the box.

Tip #2: Using page 2 and/or page 3 of instruction manual make sure all pieces and hardware are accounted for.

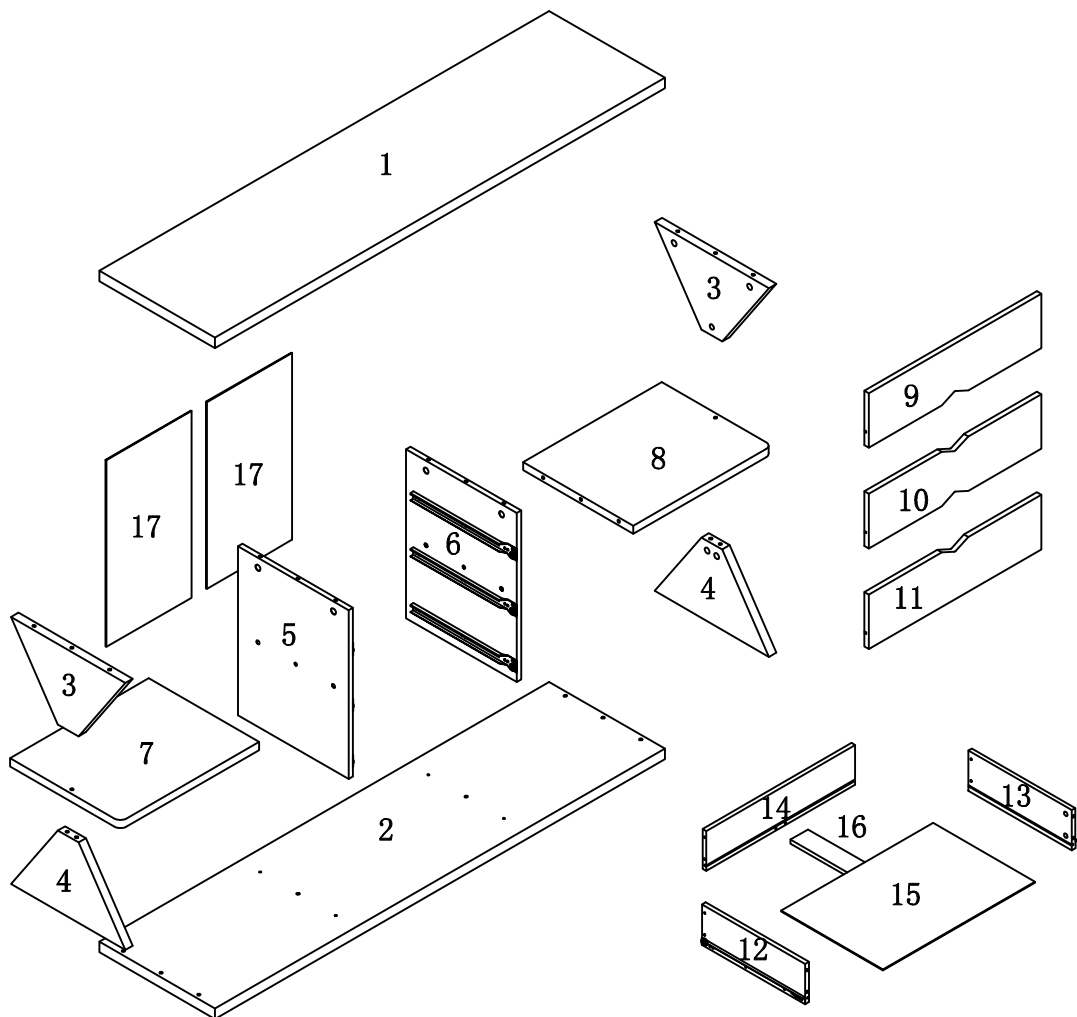
Tip #3: Read manual before assembling, it helps!

ITEM#: 213029



PARTS IDENTIFICATION

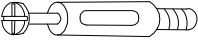


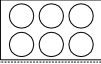
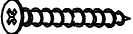





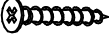
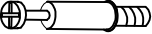



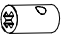
ITEM#:213029



(1)	1pc	(7)	1pc	(13)	3pcs
(2)	1pc	(8)	1pc	(14)	3pcs
(3)	2pcs	(9)	1pc	(15)	3pcs
(4)	2pcs	(10)	1pc	(16)	3pcs
(5)	1pc	(11)	1pc	(17)	2pcs
(6)	1pc	(12)	3pcs		

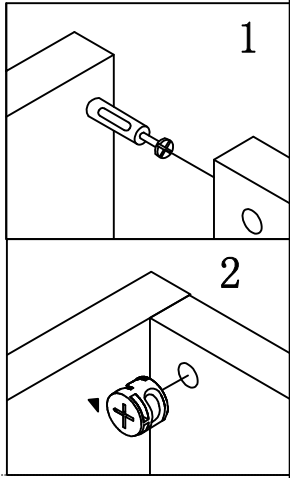
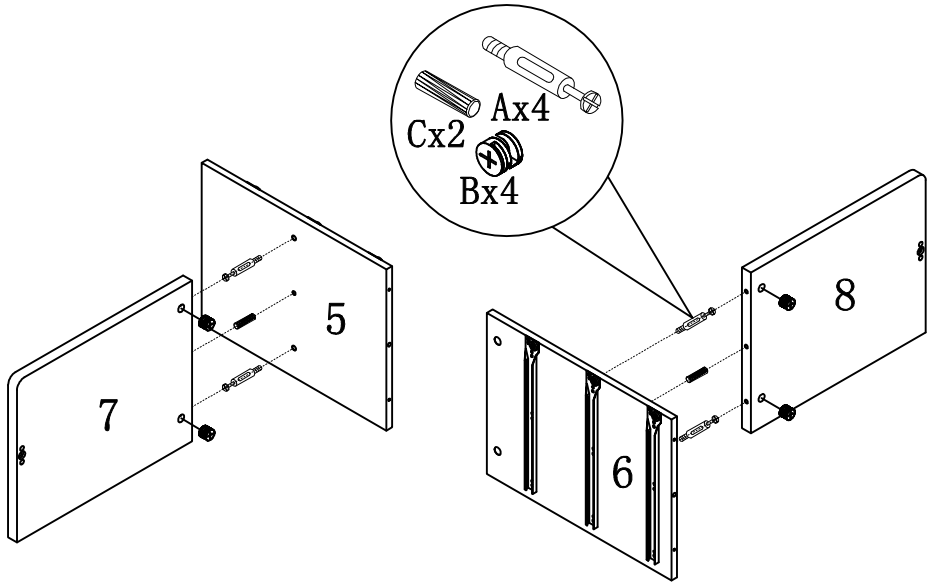
HARDWARE IDENTIFICATION

ITEM#: 213029

A		L29	16pcs
B		φ15	16pcs
C		φ8x25	10pcs
D		φ22	10pcs
E		φ4x50	4pcs
F		φ6x30	6pcs
G		φ7x58	4pcs
H		φ12	12pcs
I		φ16	6pcs
J			16pcs
K		φ4x30	18pcs
L		L20	12pcs
M		M6x55	2pcs
N		φ8xφ16x2	6pcs
O		M4	1pc
P		φ10.5x13	2pcs

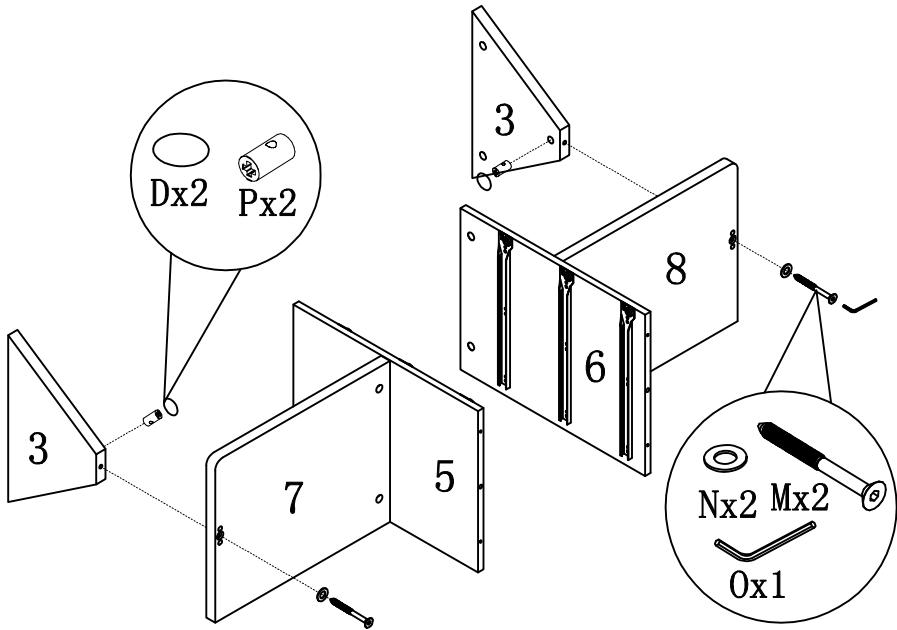
ASSEMBLY INSTRUCTION

ITEM#: 213029



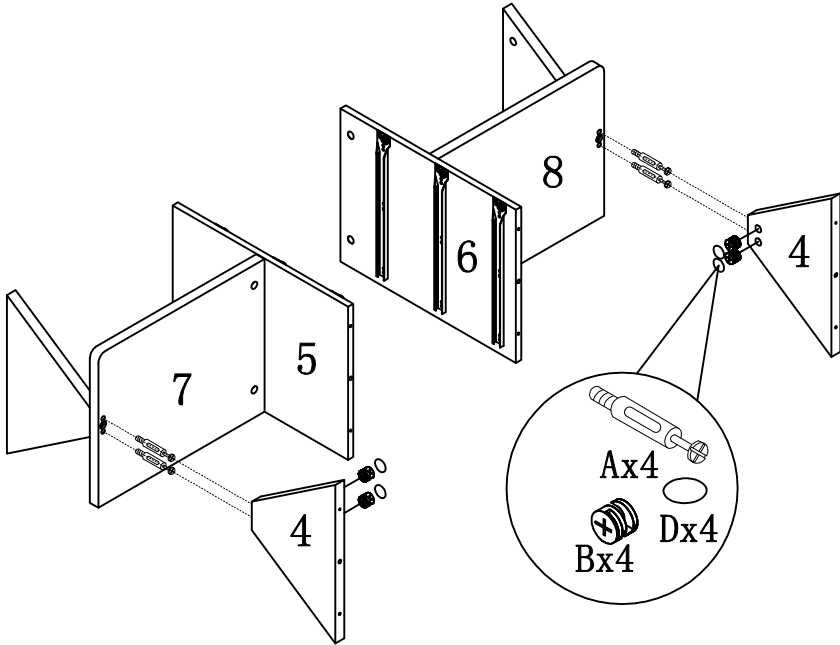
STEP 1

STEP 2



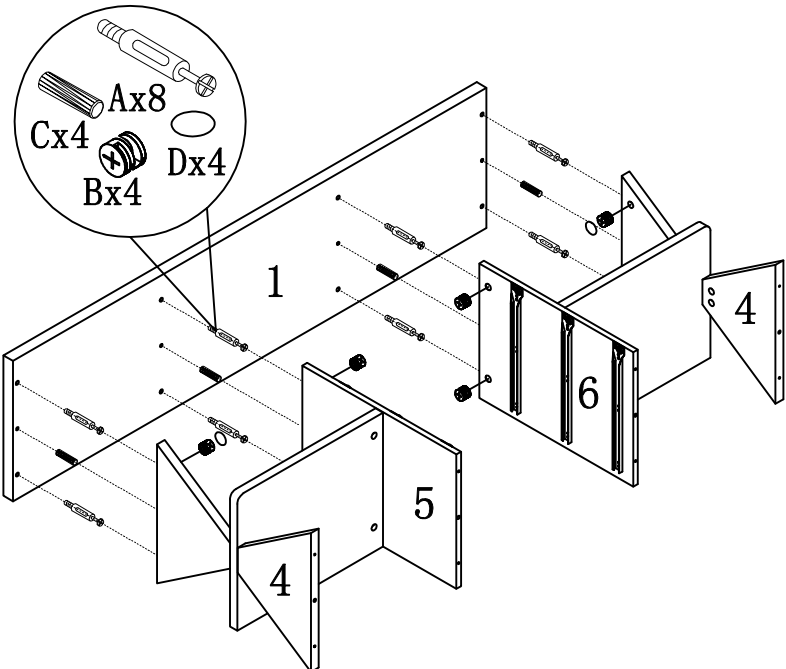
ASSEMBLY INSTRUCTION

ITEM#: 213029



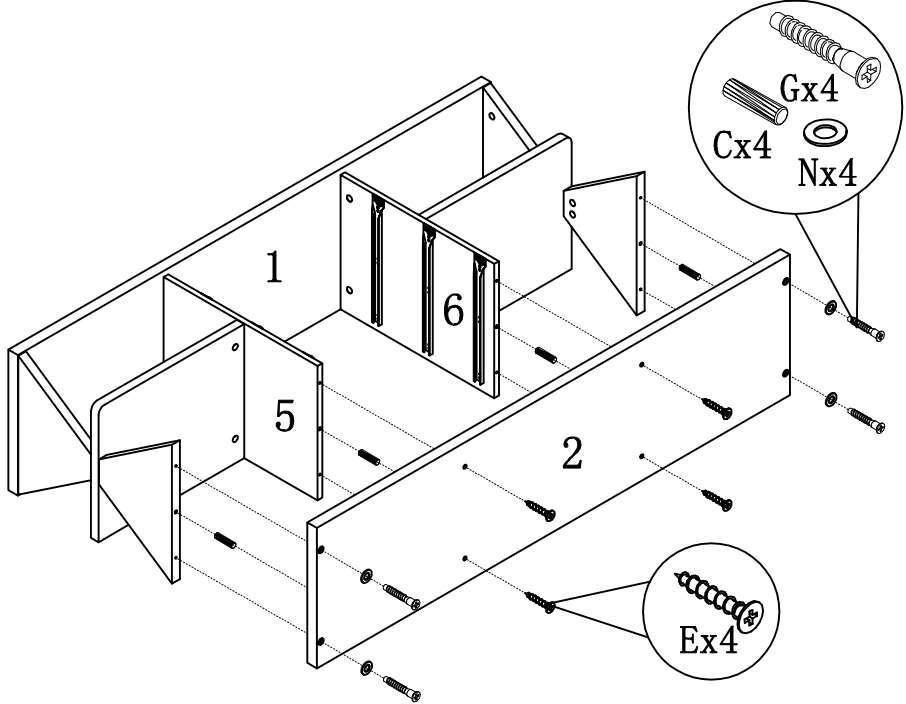
STEP3

STEP4



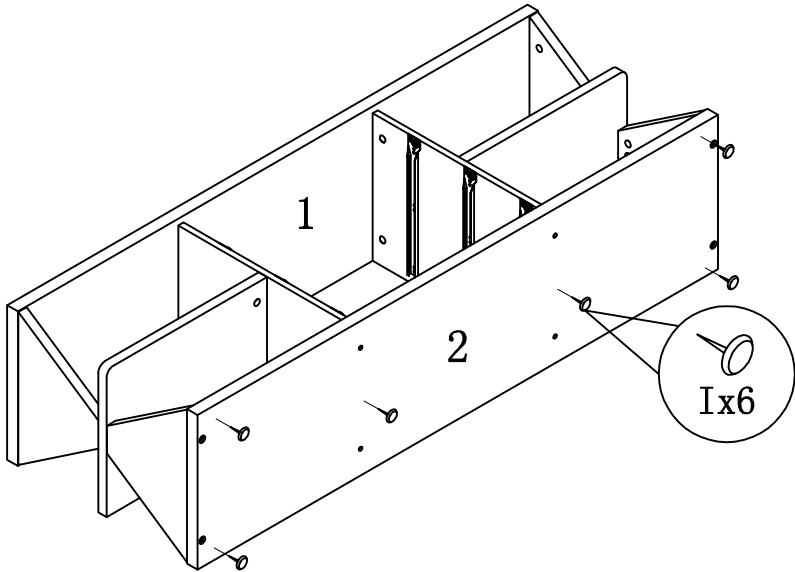
ASSEMBLY INSTRUCTION

ITEM#: 213029



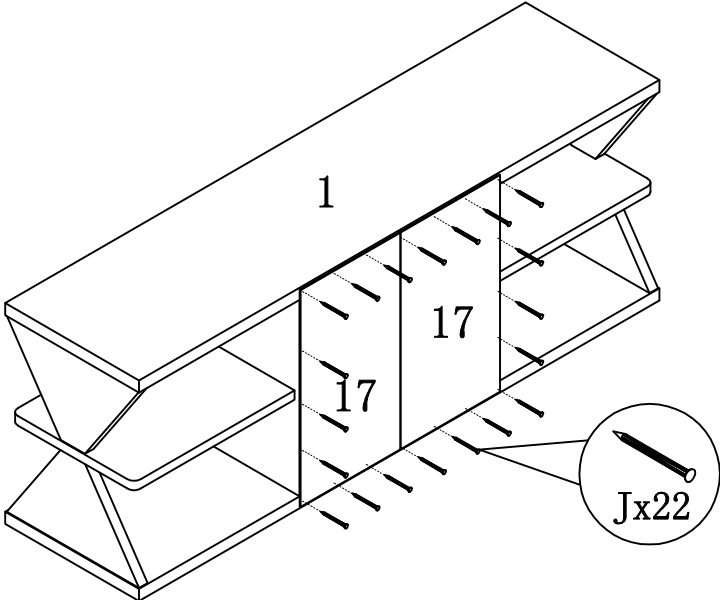
STEP5

STEP6



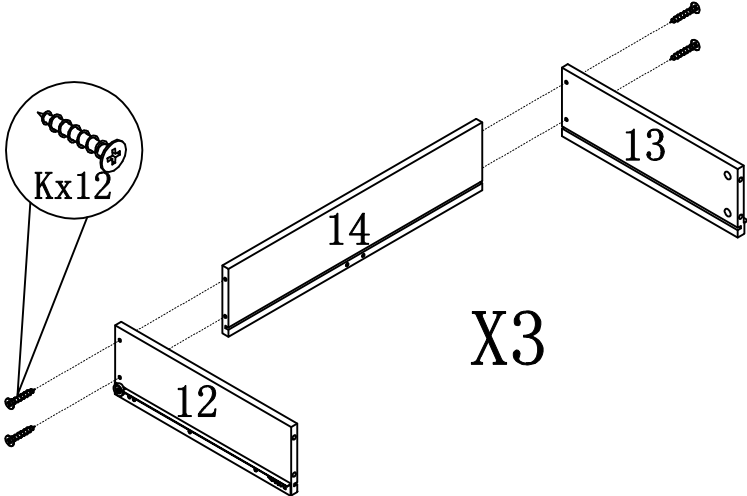
ASSEMBLY INSTRUCTION

ITEM#: 213029



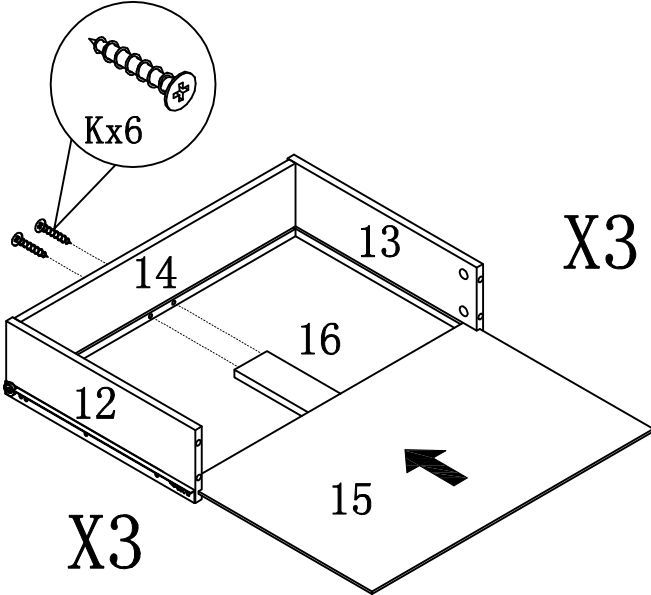
STEP7

STEP8



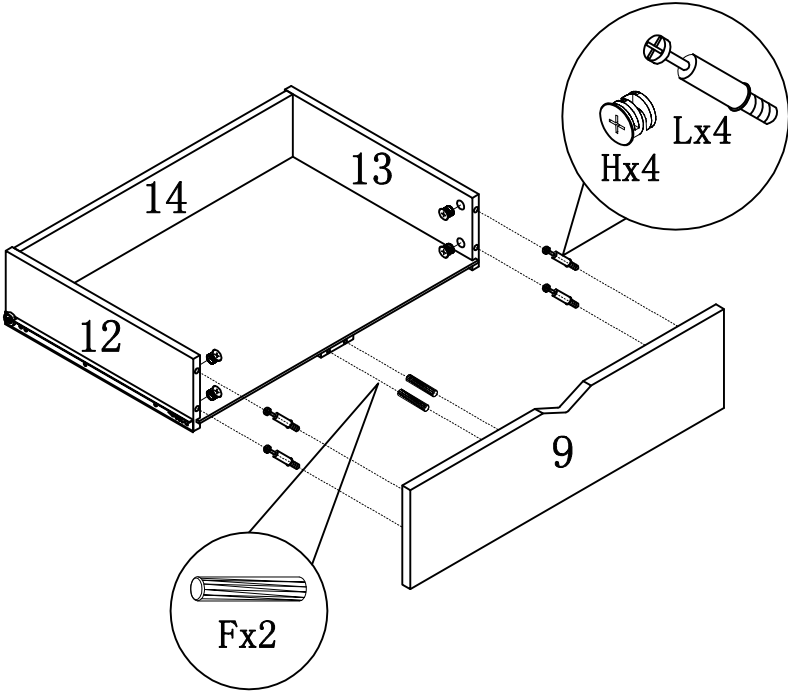
ASSEMBLY INSTRUCTION

ITEM#: 213029



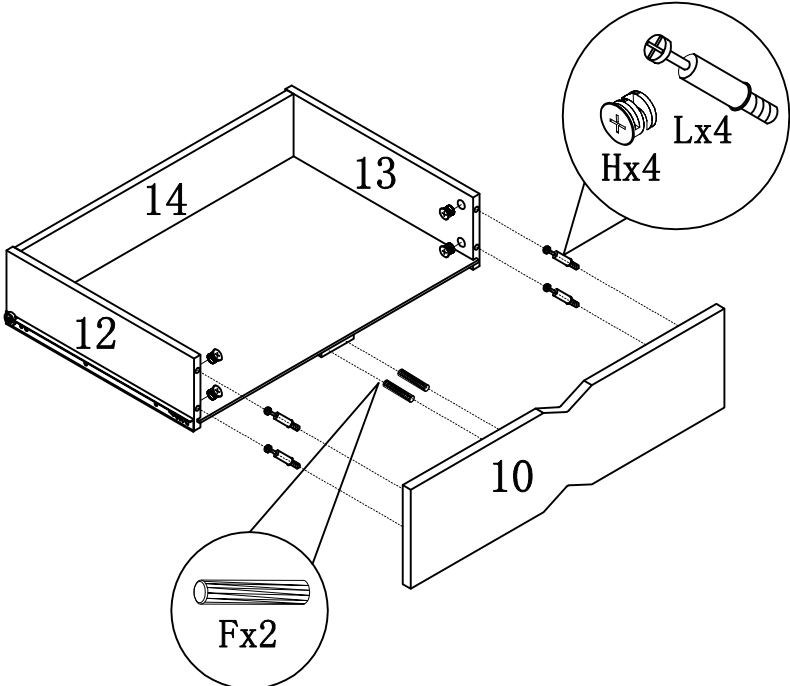
STEP9

STEP10



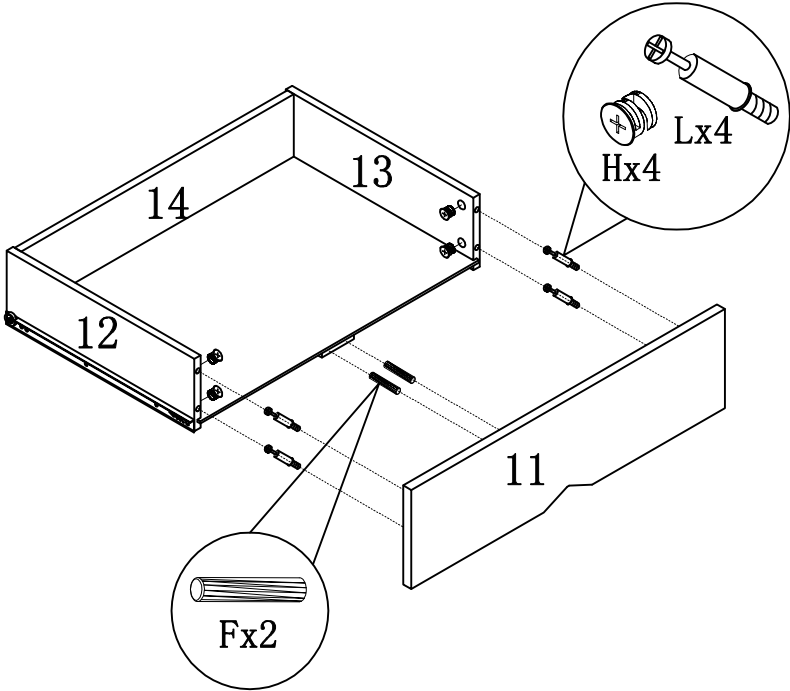
ASSEMBLY INSTRUCTION

ITEM#: 213029



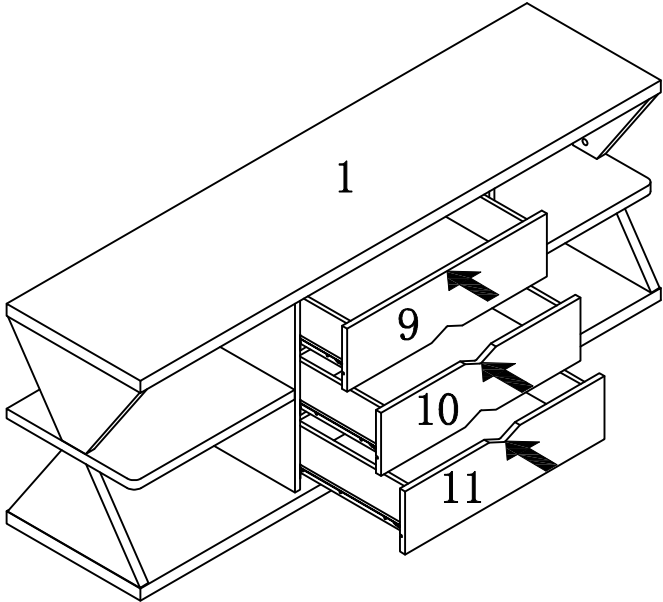
STEP11

STEP12



ASSEMBLY INSTRUCTION

ITEM#: 213029



STEP13

STEP14

