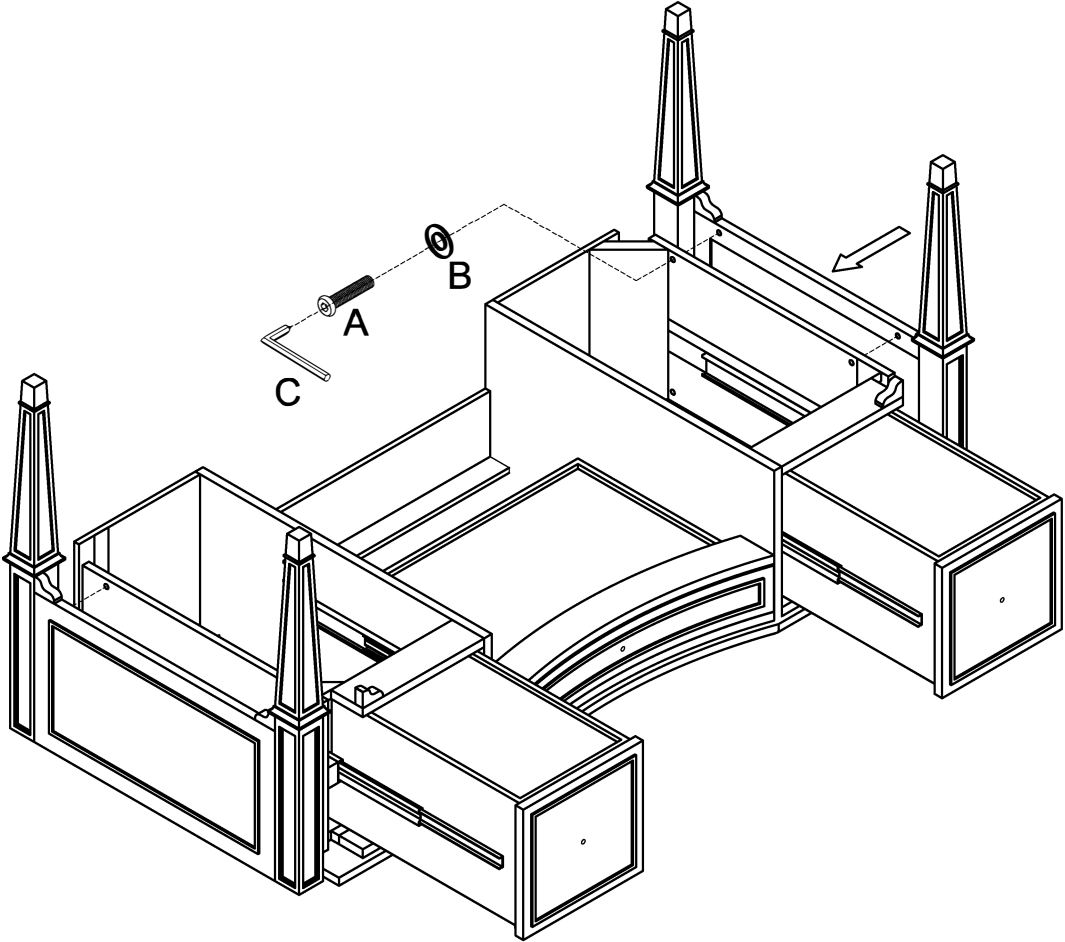








ASSEMBLY INSTRUCTIONS FOR DESK

Step 1

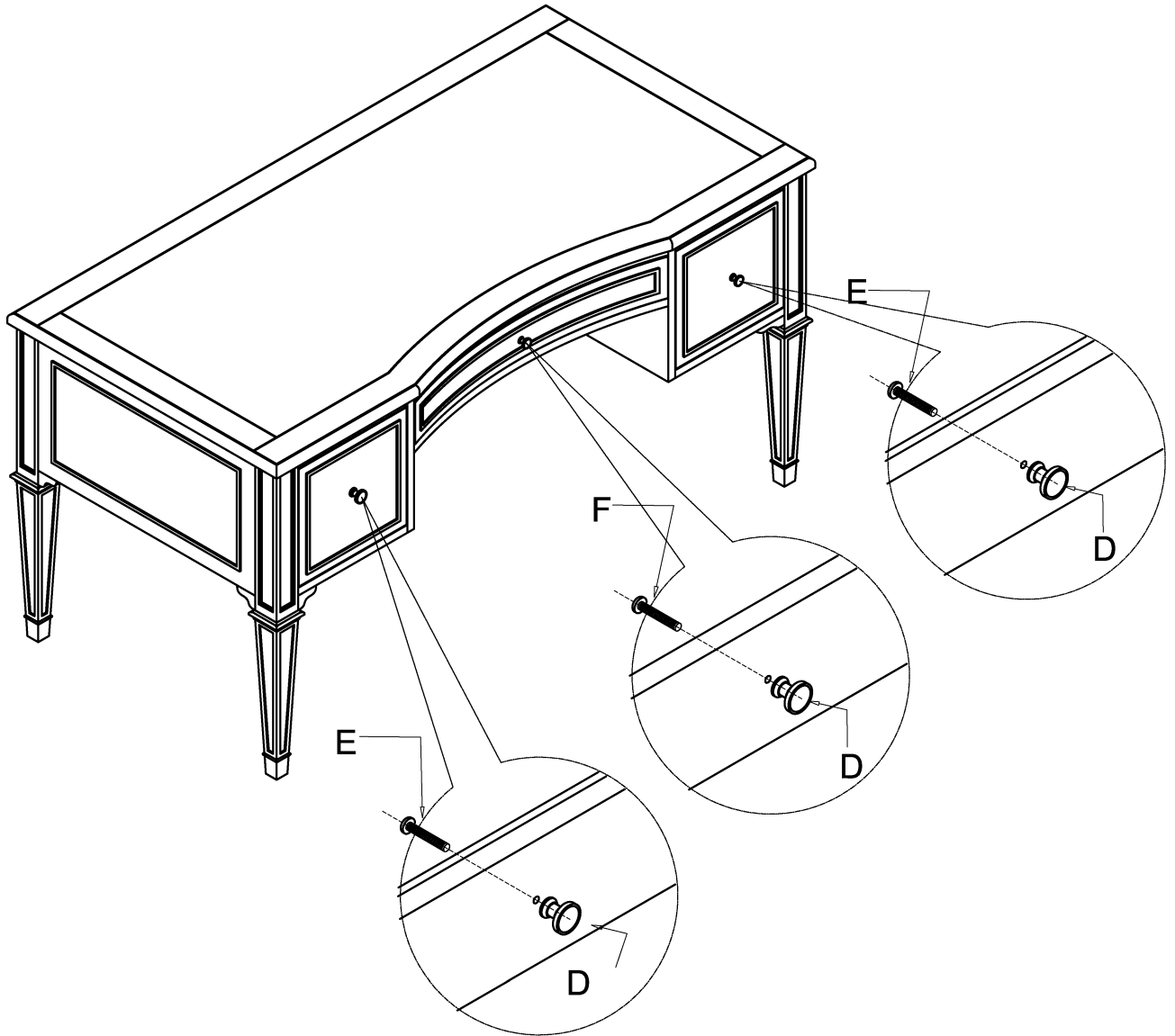


Hardware fittings list

No.	Hardware	Sketch	Q'ty
A	Bolt (M8*35)		8PCS
B	Washer (8*20)		8PCS
C	Wren (5MM)		1PCS
D	Handle (Ø21*20)		3PC
E	Short Bolt (M4*35)		2PC
F	Short Bolt (M4*25)		1PC

ASSEMBLY INSTRUCTIONS FOR DESK

Step 2



Hardware fittings list

No.	Hardware	Sketch	Q'ty
A	Bolt (M8*35)		8PCS
B	Washer (8*20)		8PCS
C	Wren (5MM)		1PCS
D	Handle (Ø21*20)		3PC
E	Short Bolt (M4*35)		2PC
F	Short Bolt (M4*25)		1PC