

## Assembly Instructions

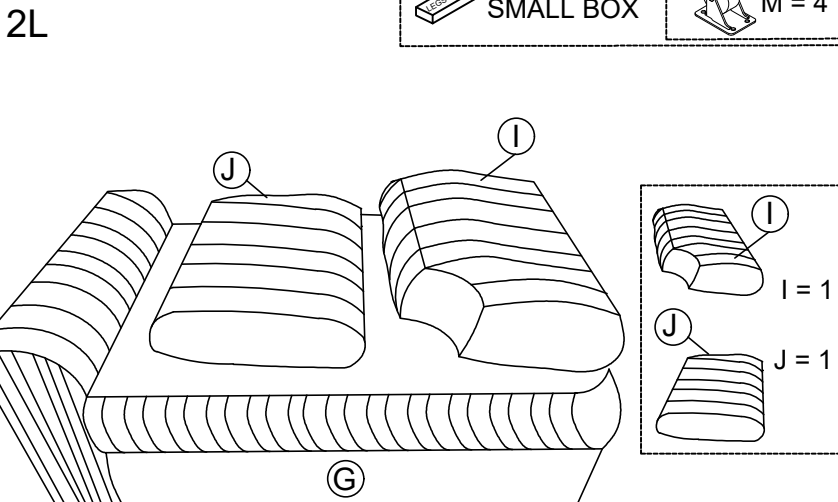
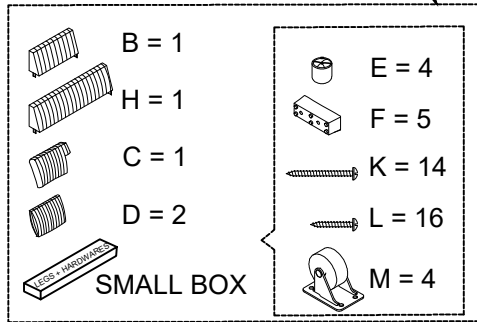
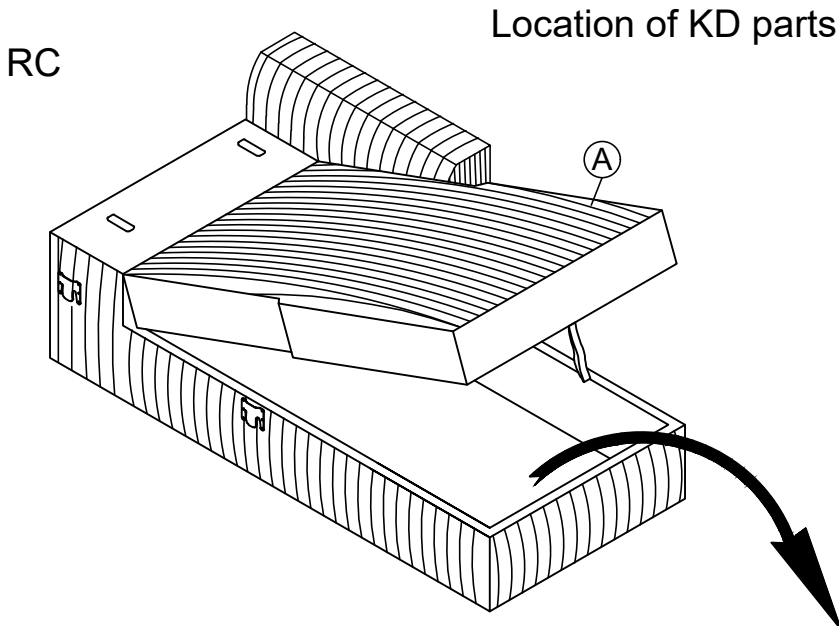
(1/2) Left Side 2-Seater with Pull-out Bed (Pillow and back rest are stored in RC)

(2/2) Right Side Chaise with Hidden Storage

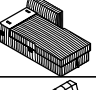
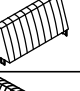
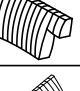
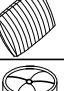
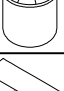
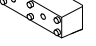


**Legs & hardware are stored in Chaise, please take out the legs and hardware for assembly.**

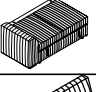
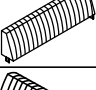
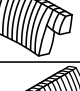
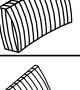
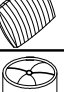

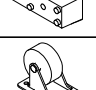
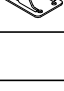
Note: Do not use power tools for assembly. Power tools increase the risk of over tightening which lead to splitting or cracking the wood.




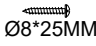
### CHAISE PART LIST

No.	Description	Diagram	Quantity
A	CHAISE BASE		1
B	CHAISE BACKREST		1
C	RSF BACK CUSHION		1
D	PILLOW (18"x18")		1
E	ROUND PLACTIC LEG (50x50x50MM)		2
F	RECTANGLE LEG (150x50x50MM)		3

### LOVESEAT PART LIST

No.	Description	Diagram	Quantity
G	LOVESEAT BASE		1
H	BACKREST (PACKED in RC)		1
I	LSF BACK CUSHION		1
J	MIDDLE BACK CUSHION		1
D	PILLOW (18"x18") (PACKED in RC)		1
E	ROUND PLACTIC LEG (50x50x50MM) (PACKED in RC)		2
F	RECTANGLE LEG (150x50x50MM) (PACKED in RC)		2
M	WHEELS (PACKED in RC)		4

### HARDWARE LIST

No.	Description	Diagram	Quantity
K	SCREW	 Ø8*40MM	14
L	SCREW	 Ø8*25MM	16



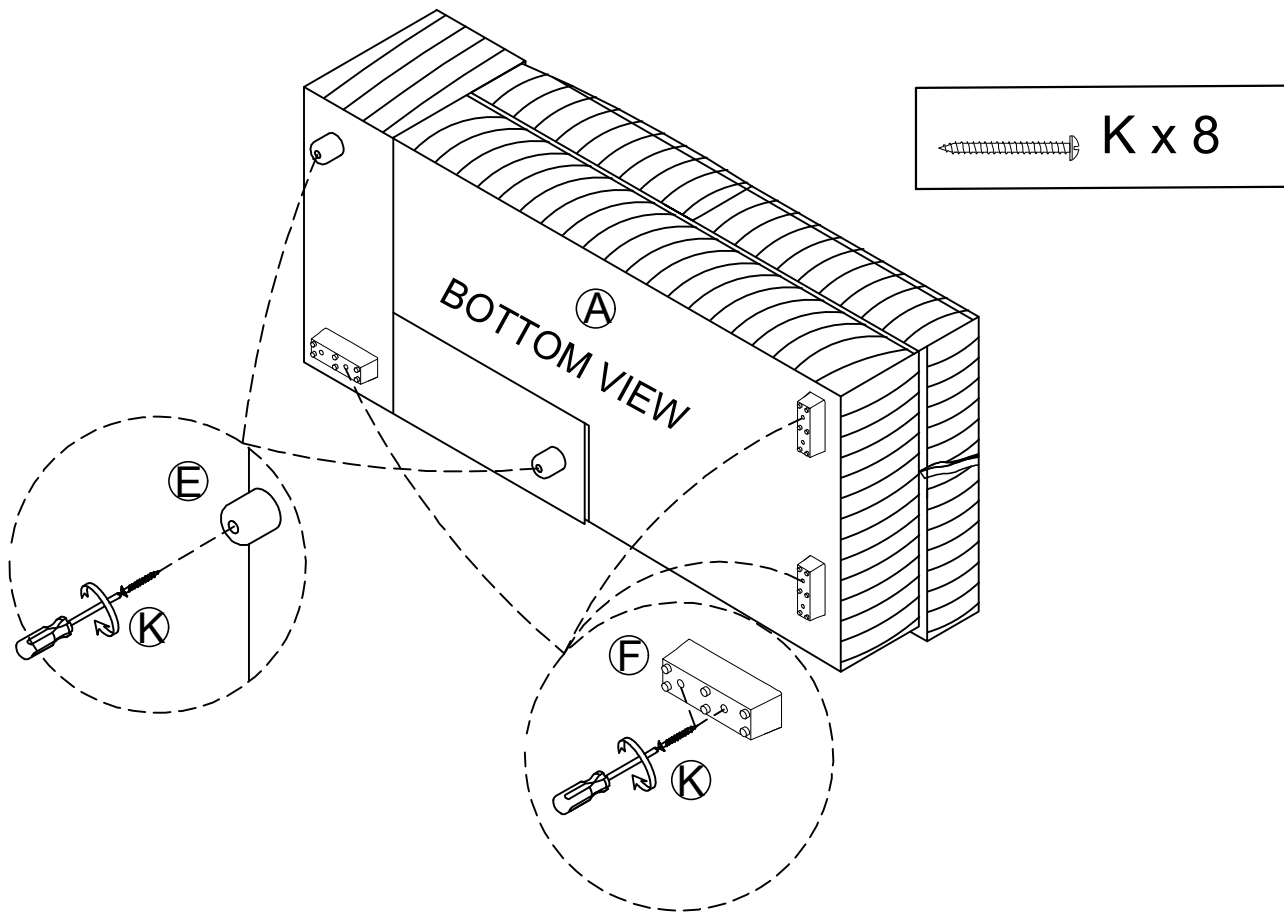
Not Included

## Assembly Instructions

(1/2) Left Side 2-Seater with Pull-out Bed (Pillow and back rest are stored in RC)

(2/2) Right Side Chaise with Hidden Storage

### STEP 1 :

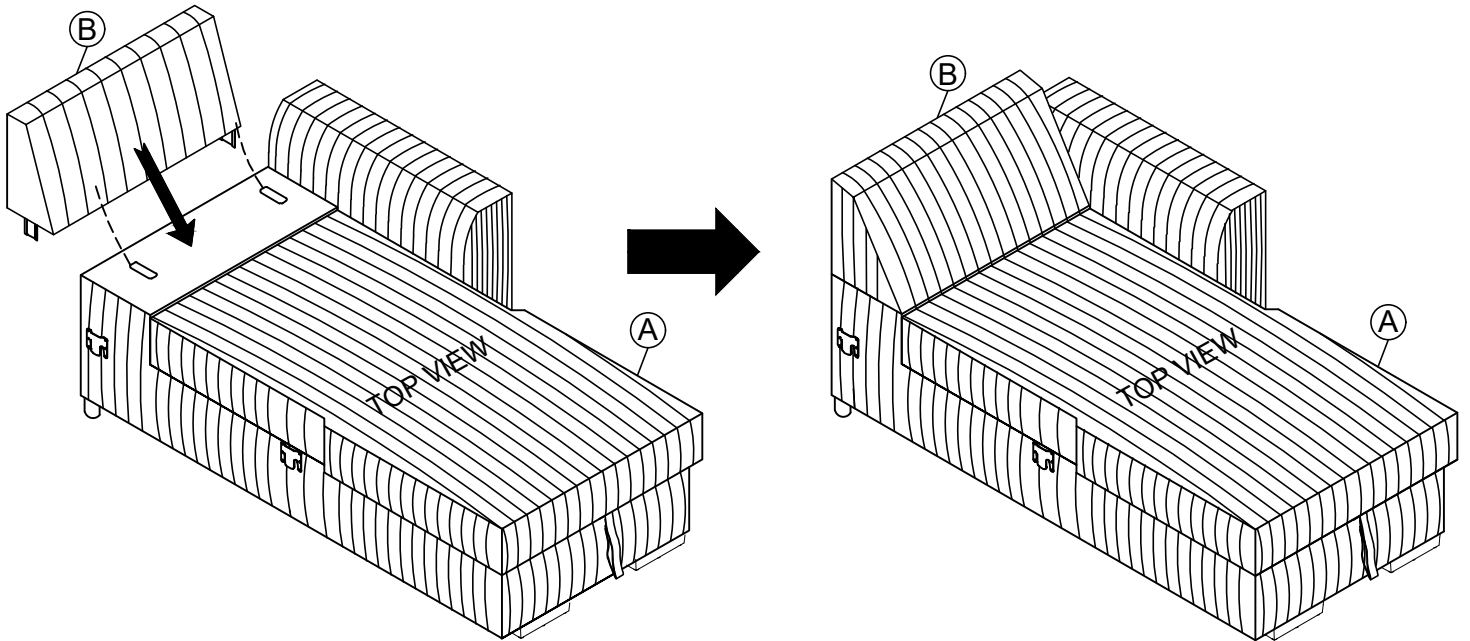


## Assembly Instructions

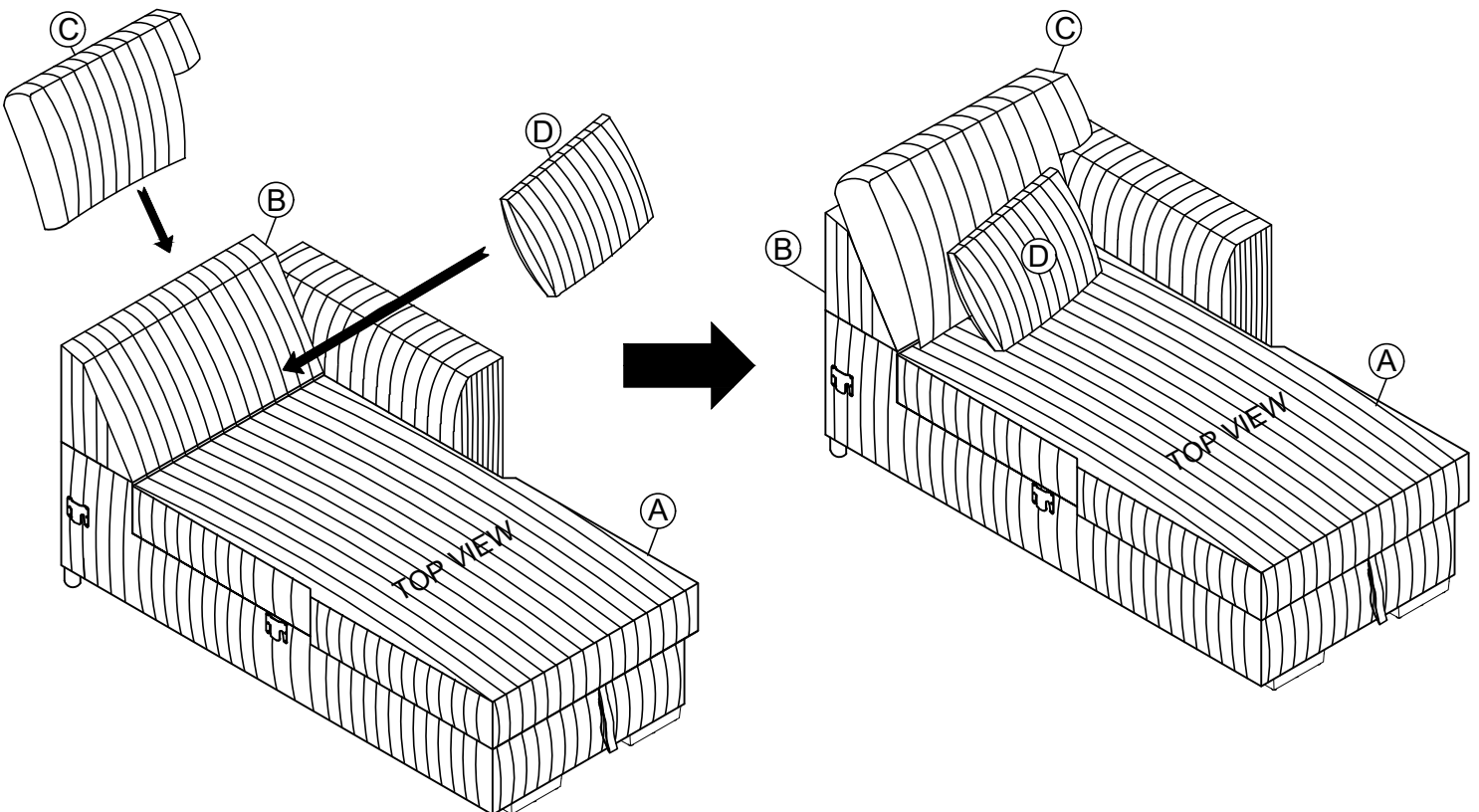
(1/2) Left Side 2-Seater with Pull-out Bed (Pillow and back rest are stored in RC)

(2/2) Right Side Chaise with Hidden Storage

### STEP 2 :



### STEP 3 :

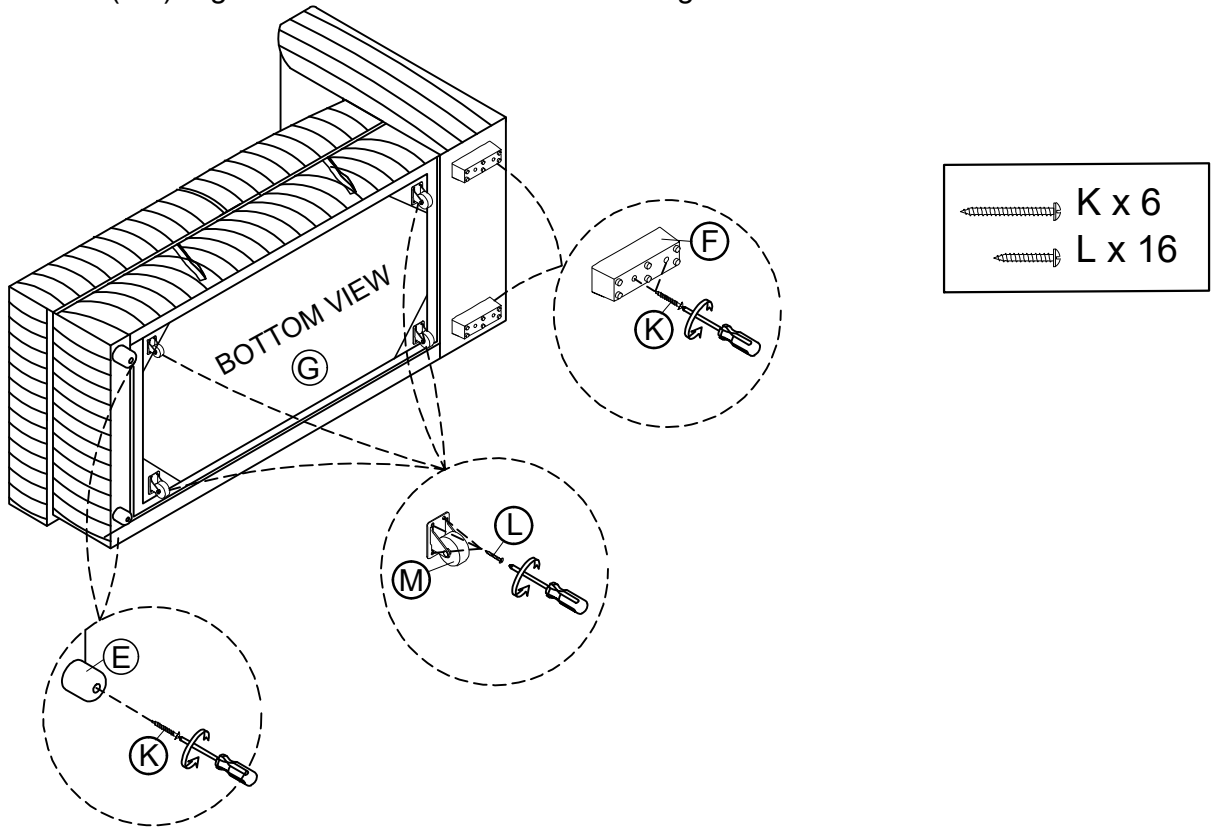


Assembly Instructions

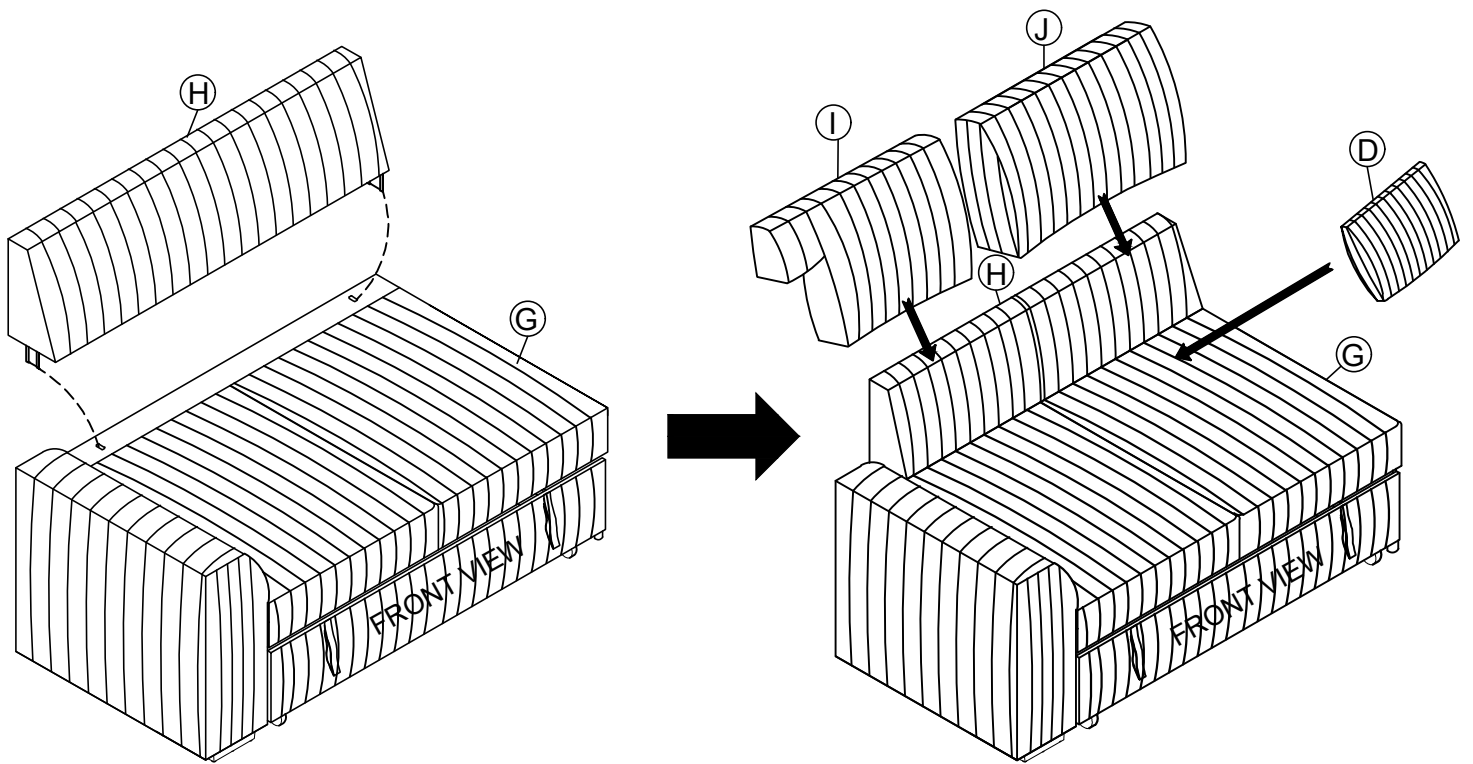
(1/2) Left Side 2-Seater with Pull-out Bed (Pillow and back rest are stored in RC)

(2/2) Right Side Chaise with Hidden Storage

**STEP 4 :**



**STEP 5 :**

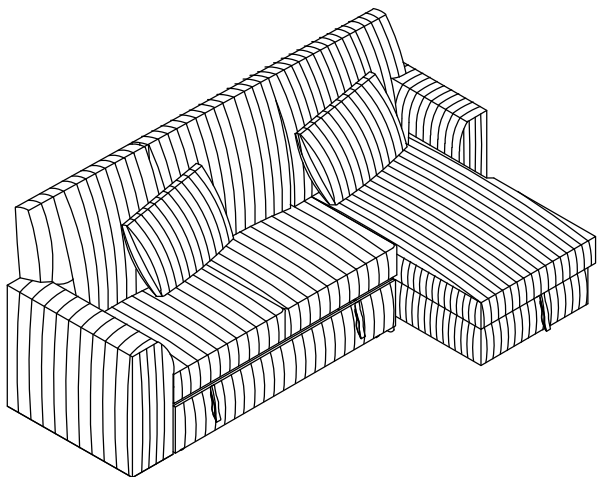
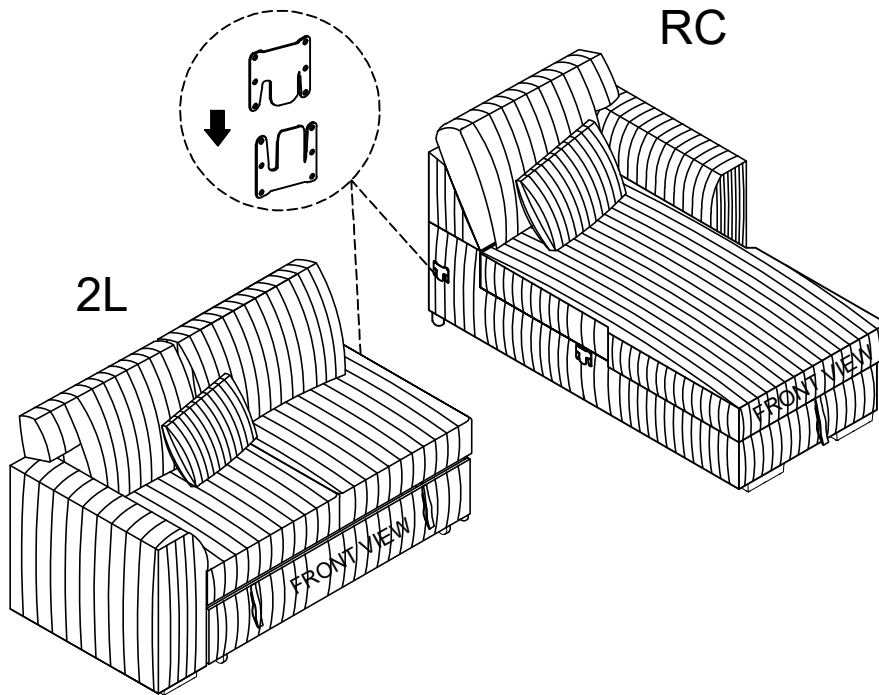


## Assembly Instructions

(1/2) Left Side 2-Seater with Pull-out Bed (Pillow and back rest are stored in RC)

(2/2) Right Side Chaise with Hidden Storage

### STEP 6 :



### Care Instruction for Corduroy Furniture:

In order to maintain the original appearance of your corduroy Furniture, please follow below simple care procedures:

- Avoid exposing furniture directly to sunlight or heating and air conditioning outlets. Sunlight and or exposure to heating and air conditioning outlets will fade/damage corduroy.

- Vacuum or wipe with a soft cloth to remove dust. Hardware may loosen over time.

Periodically check to make sure all connection are tight, Re-tighten if necessary.



For items use on wooden floor, hard surfaces or carpets, it is recommended to Install protective pads under all legs and supports to avoid/prevent from damages/scratches and discoloration.