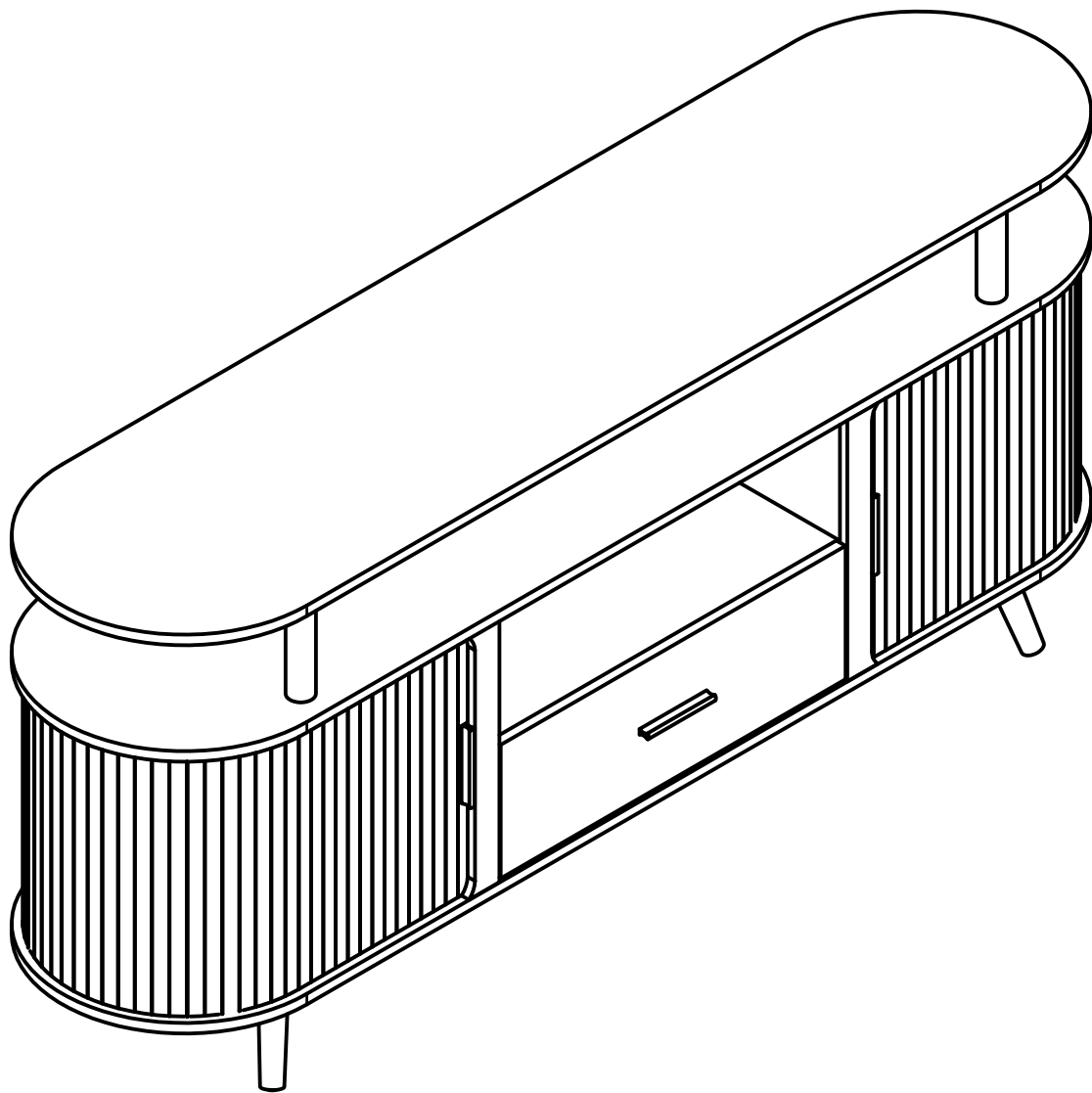
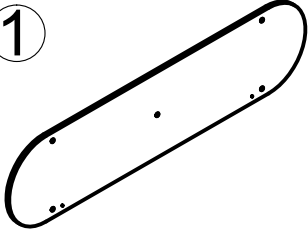
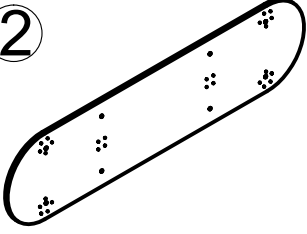
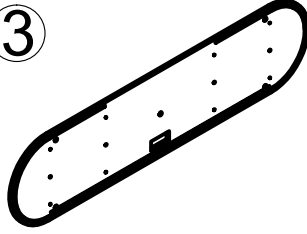
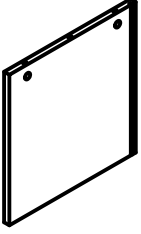
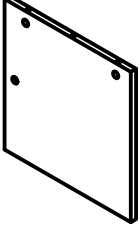
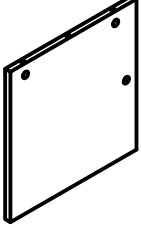
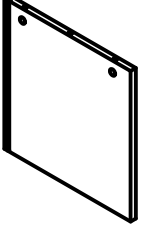
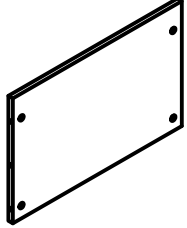
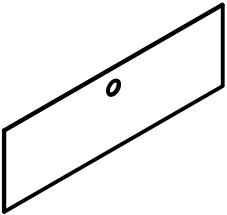
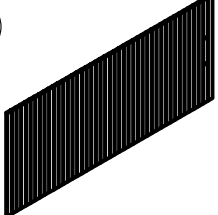

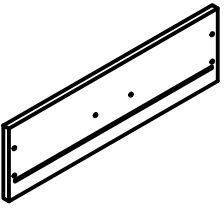
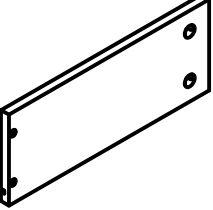
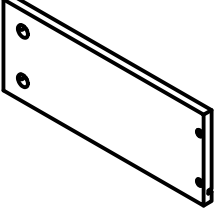
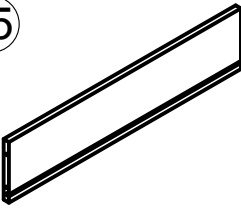
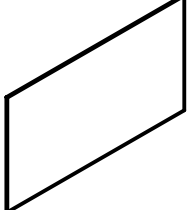




























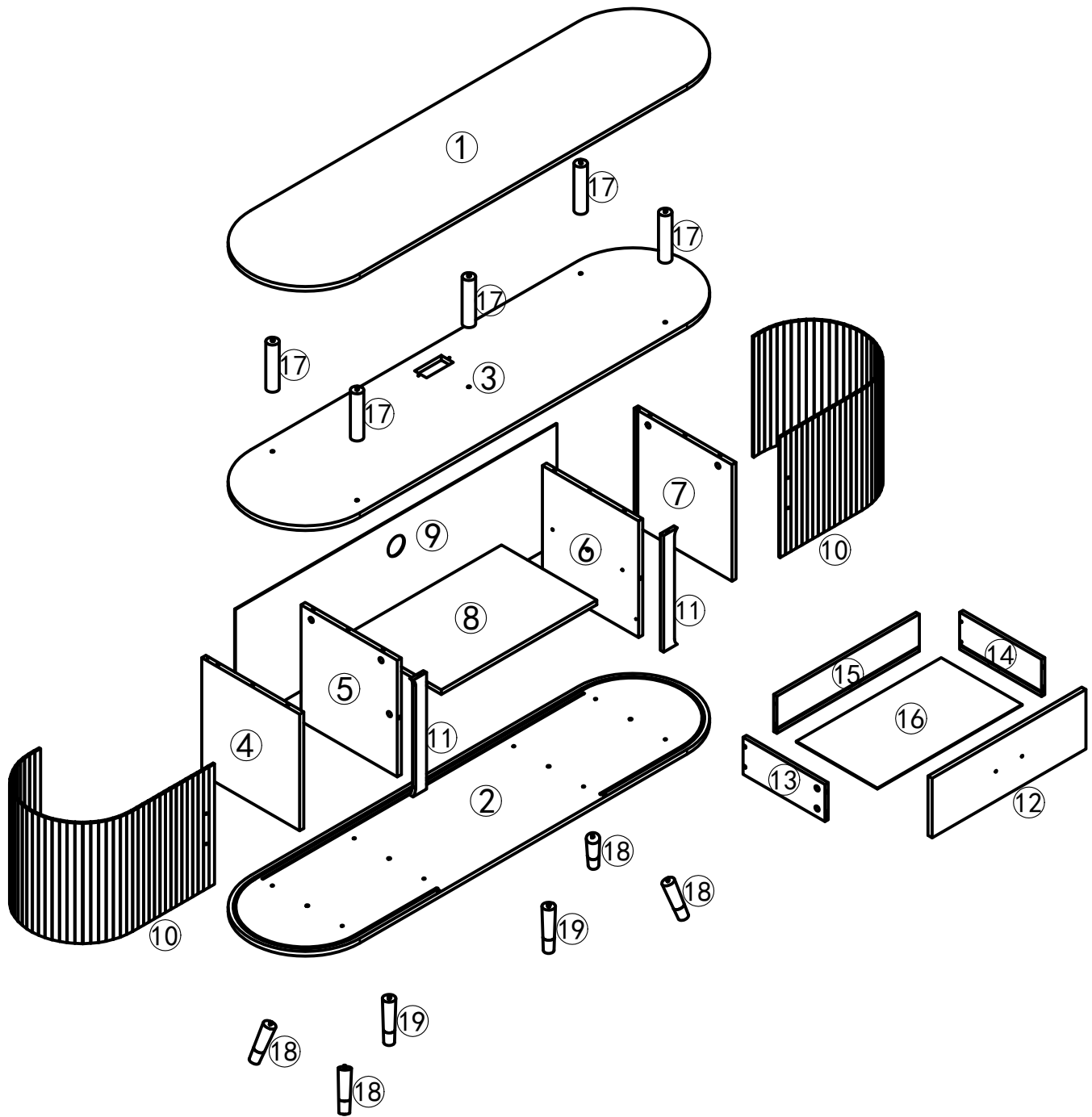


Assembly Instruction

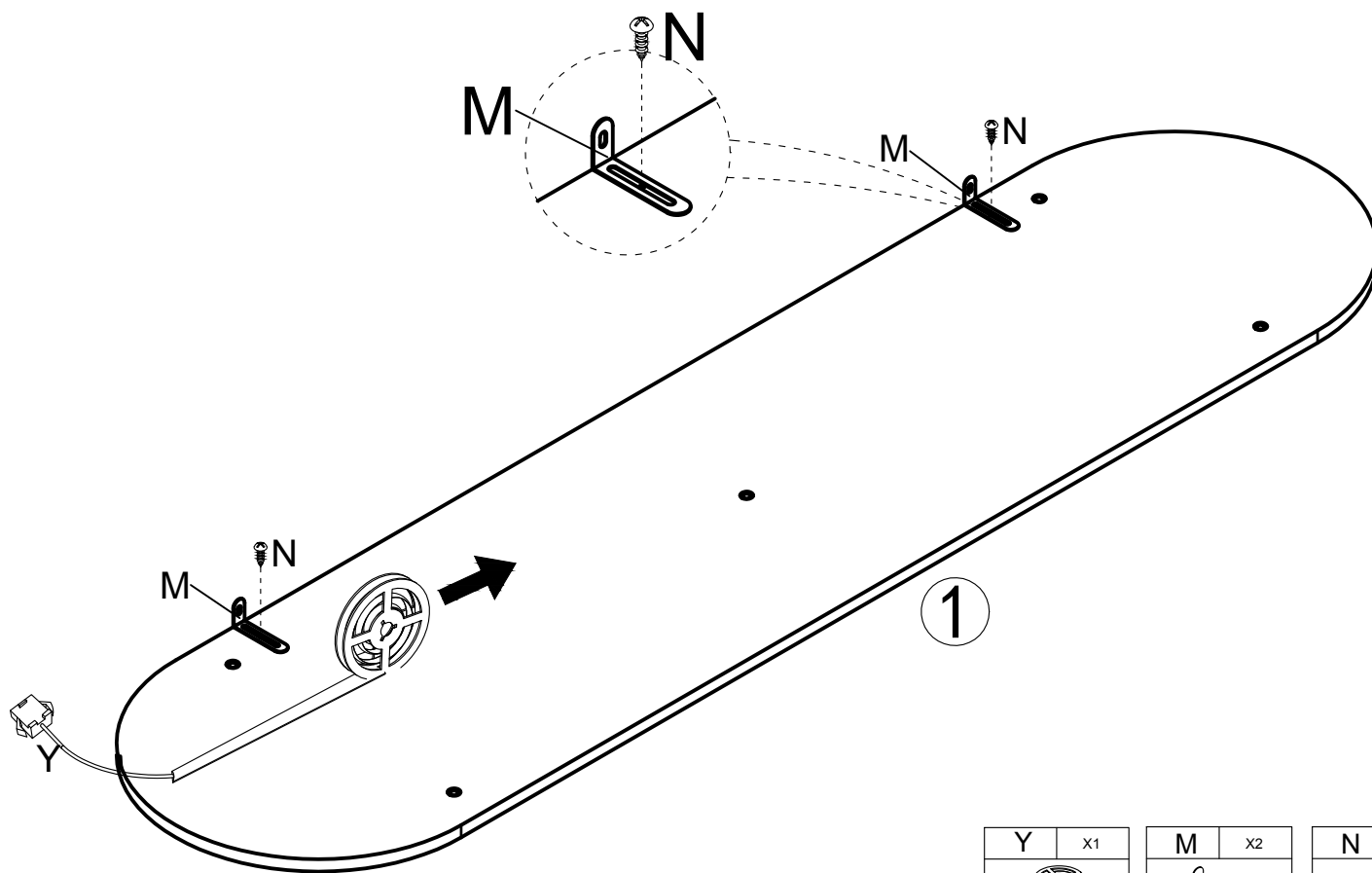


① 	② 	③ 	④ 
1PC	1PC	1PC	1PC
⑤ 	⑥ 	⑦ 	⑧ 
1PC	1PC	1PC	1PC
⑨ 	⑩ 	⑪ 	⑫ 
1PC	2PCS	2PCS	1PC
⑬ 	⑭ 	⑮ 	⑯ 
1PC	1PC	1PC	1PC
⑰ 	⑱ 	⑲ 	
5PCS	4PCS	2PCS	

A	X18	B	X18	C	X12	D	X4	E	X1	F	X8	G	X14	H	X4	I	X3
																	
M6x35mm		Ø15x9mm		M3.5x12mm		M3x16mm		4mm		M5x40mm		Ø8x30mm		M4x8mm			
J	X6	K	X2	M	X2	N	X30	O	X1	P	X4	Q	X2	S	X2	T	X4
																	
M4x35mm		Ø6x30mm				M4x14mm						M6x20mm					
U	X5	V	X2	W	X8	X	X4	Y	X1	L	X1	R	X1				
																	
M6x30mm		M4x18mm		M3x12mm													



1

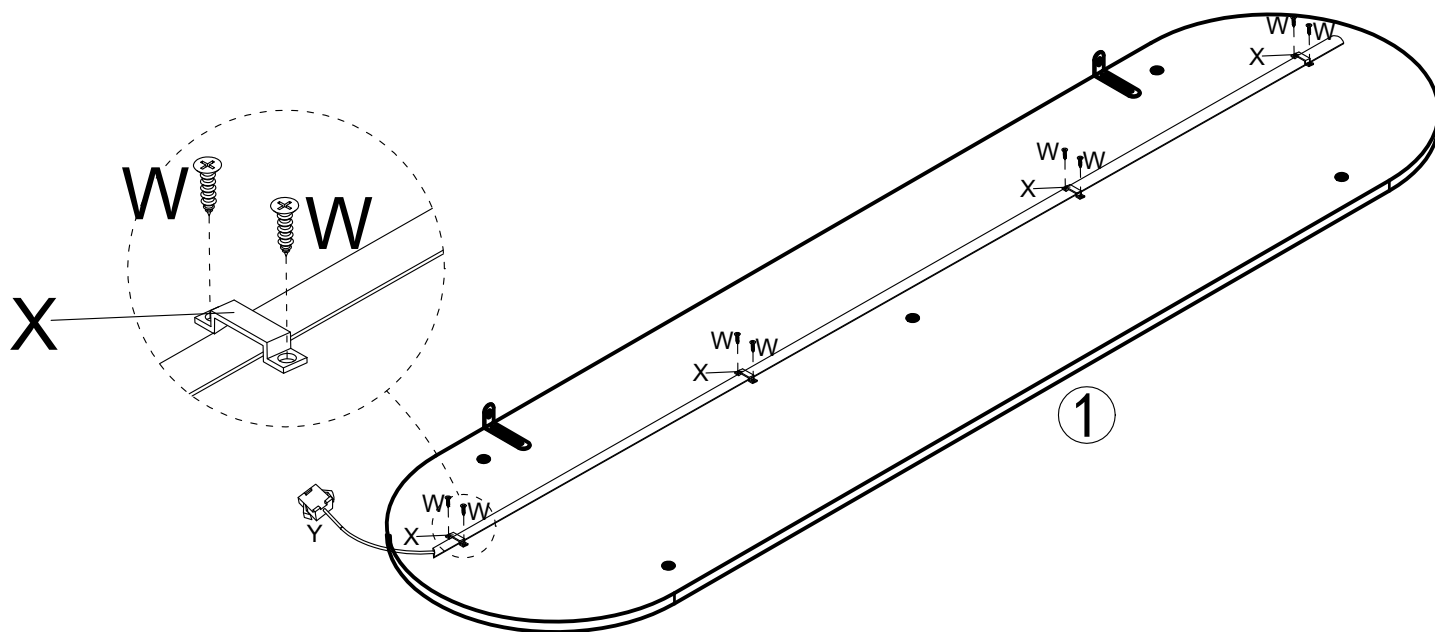


Y	x1

M	x2

N	x2
M4x14mm	

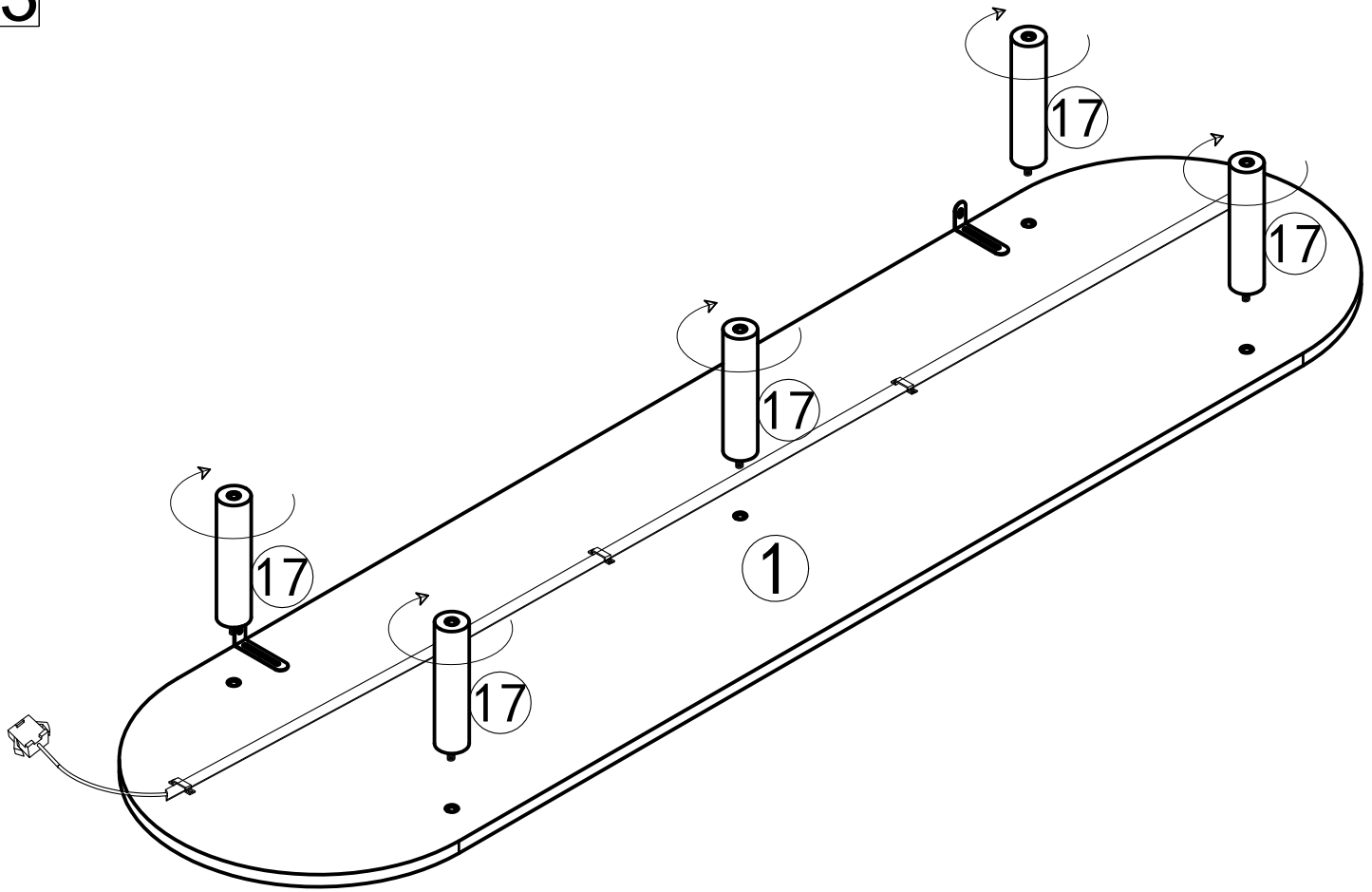
2



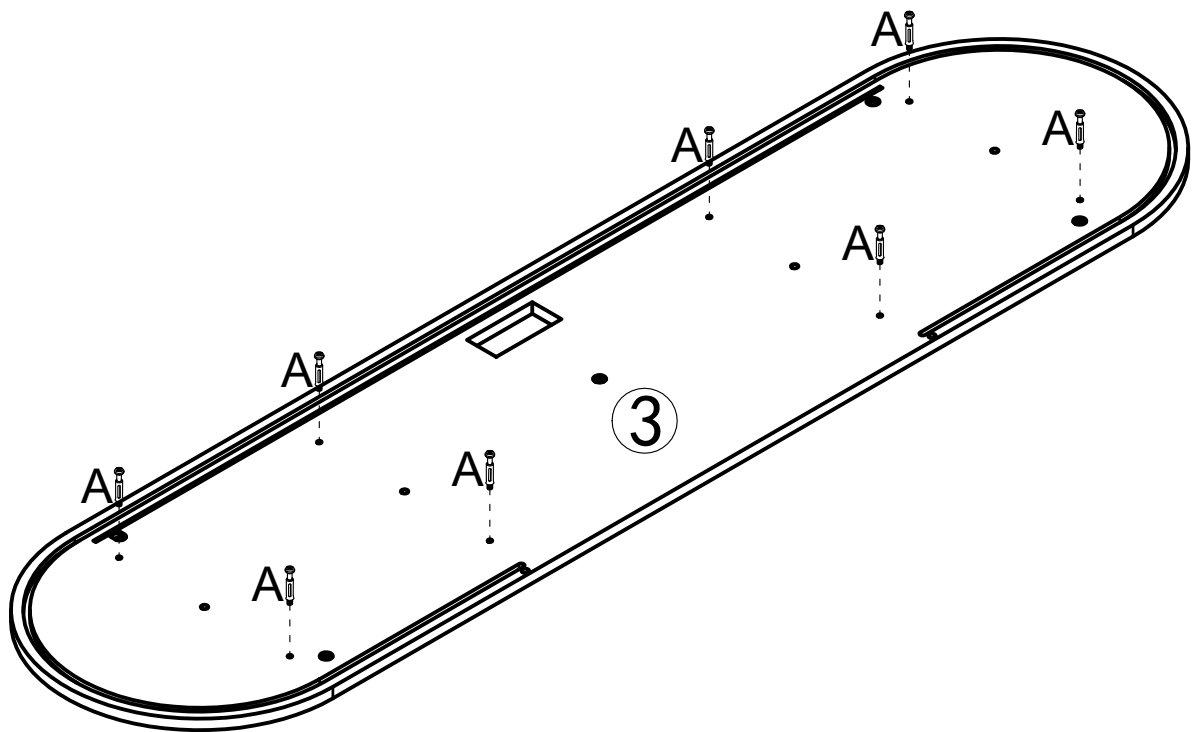
W	x8
M3x12mm	


X	x4

3

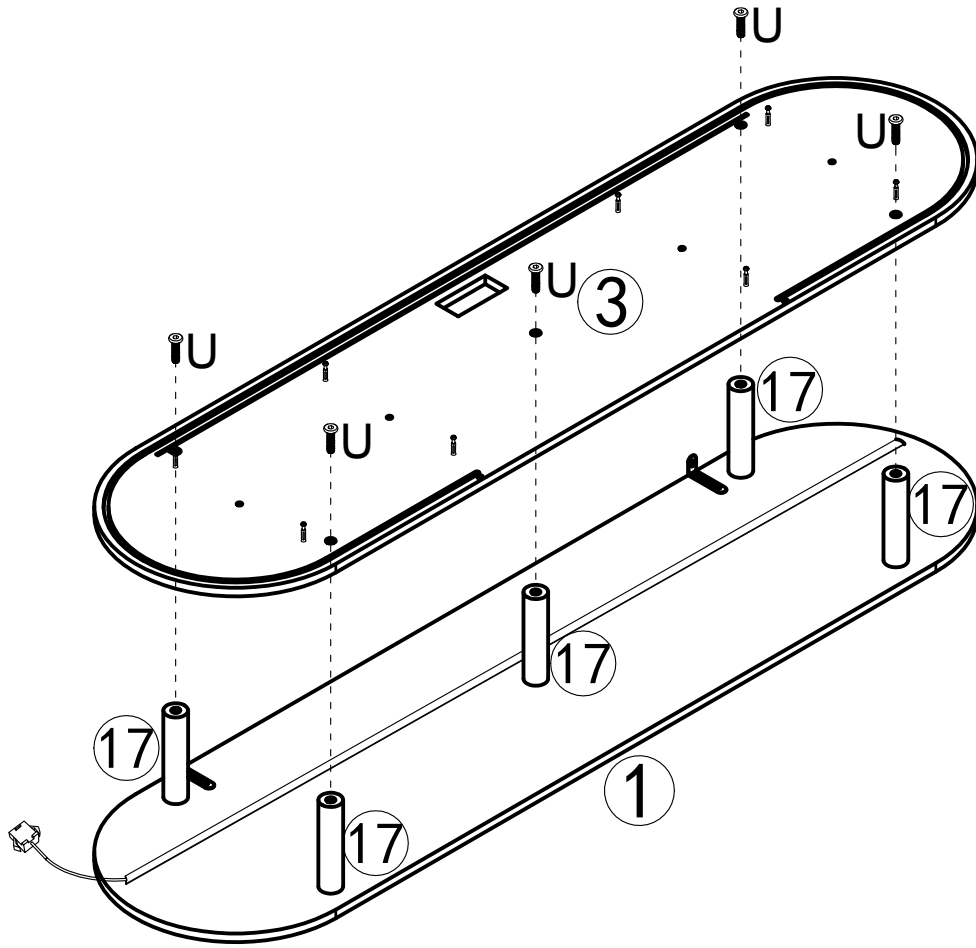



4



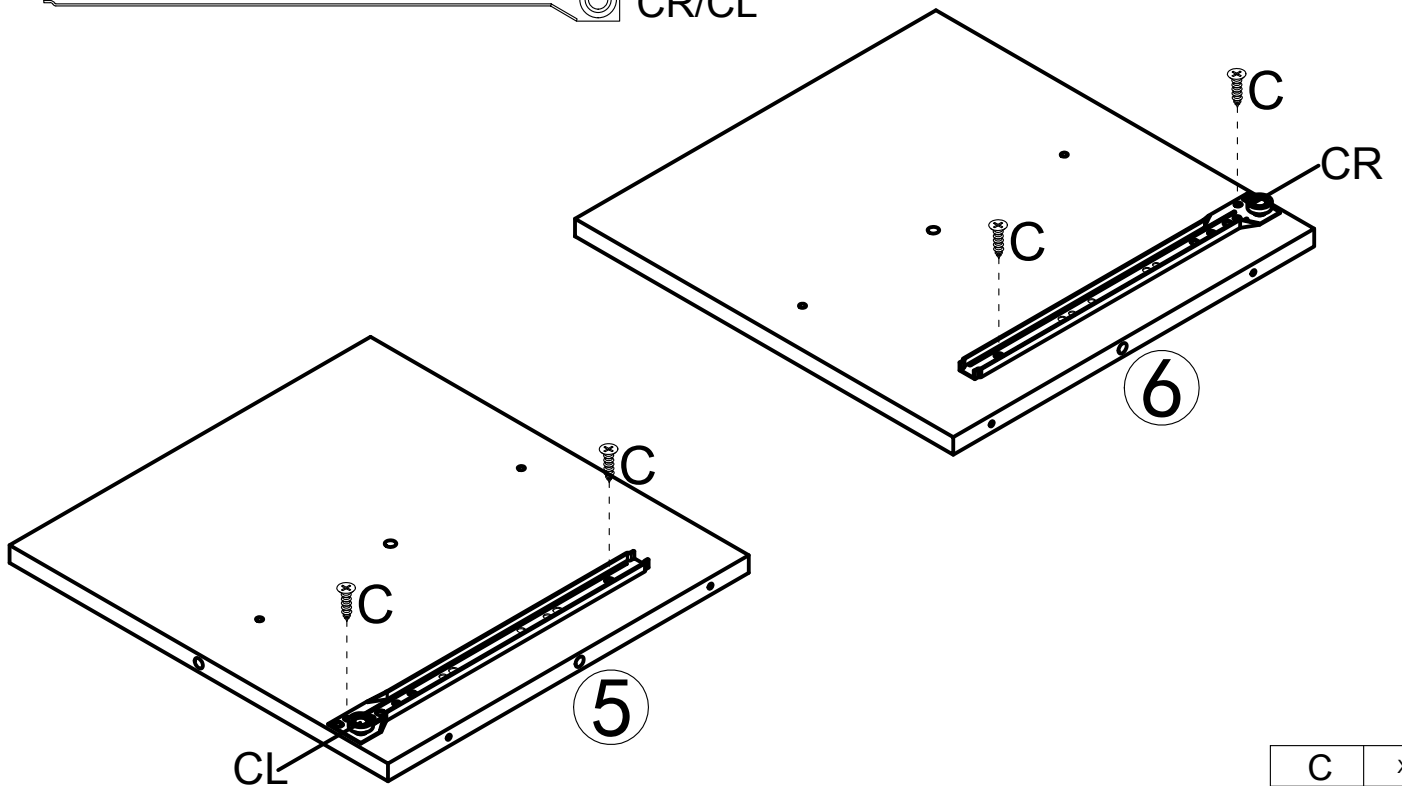
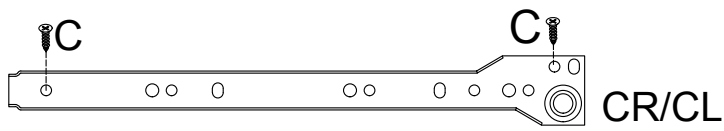
A	X8
	
M6x35mm	


3



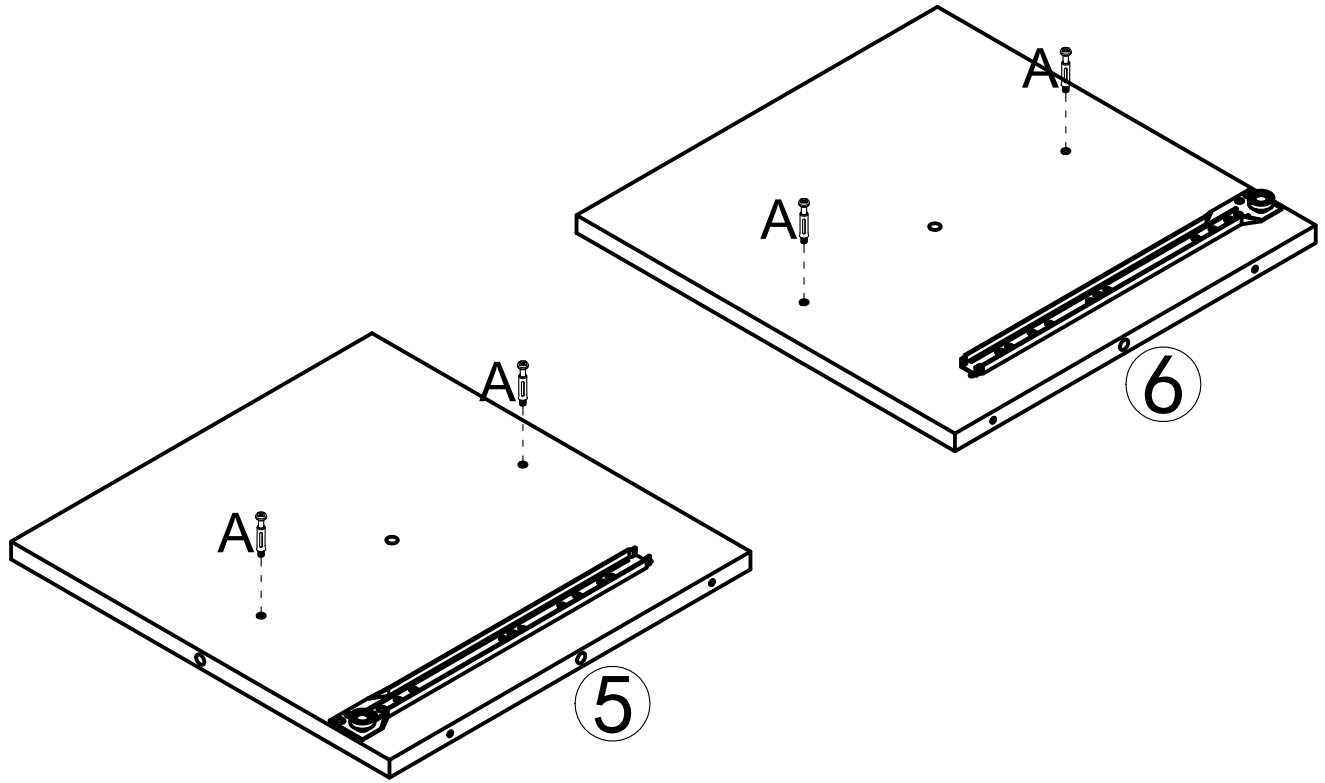
U	X5
	
M6x30mm	

4



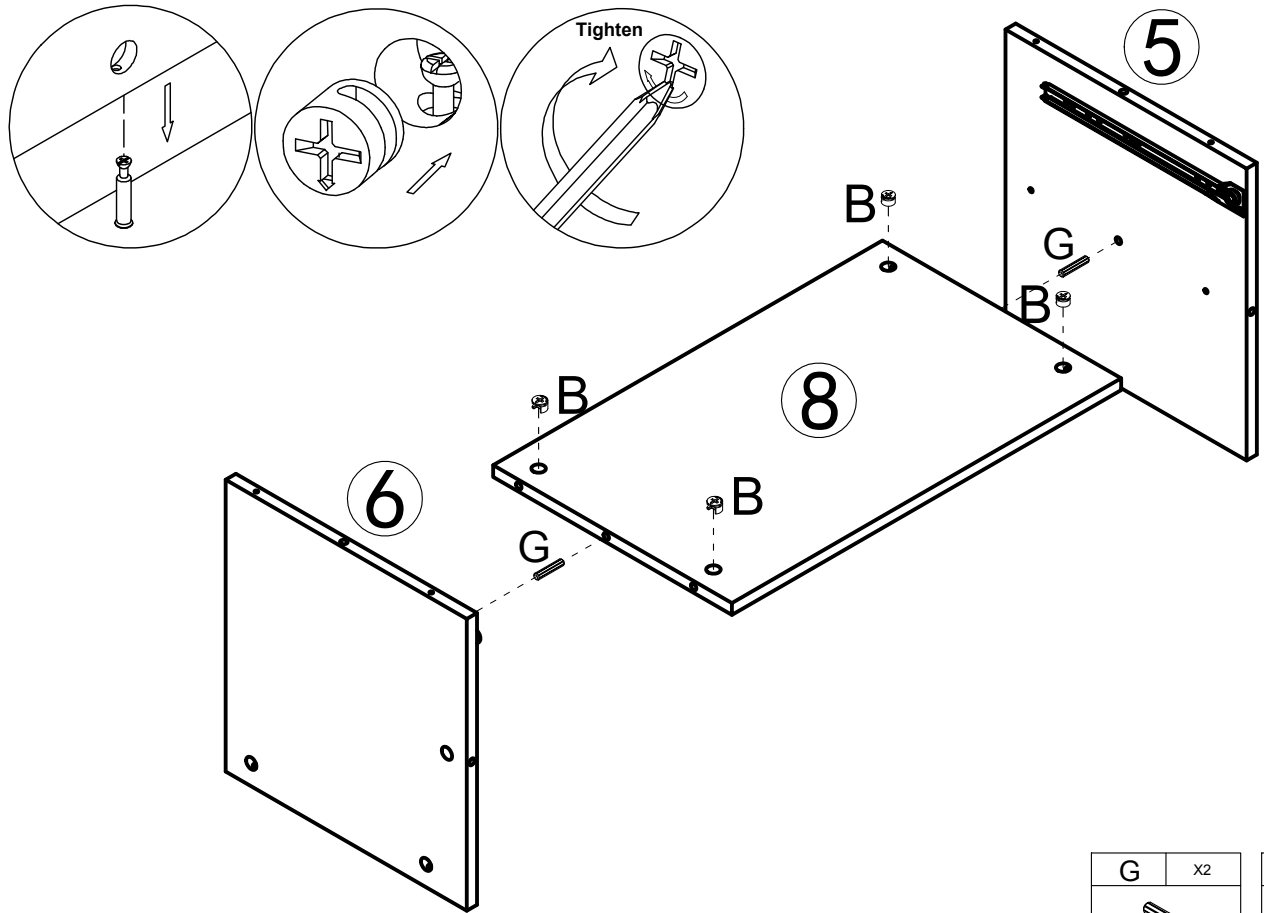
C	X4
	
M3.5x12mm	

5



A	X4
M6x35mm	

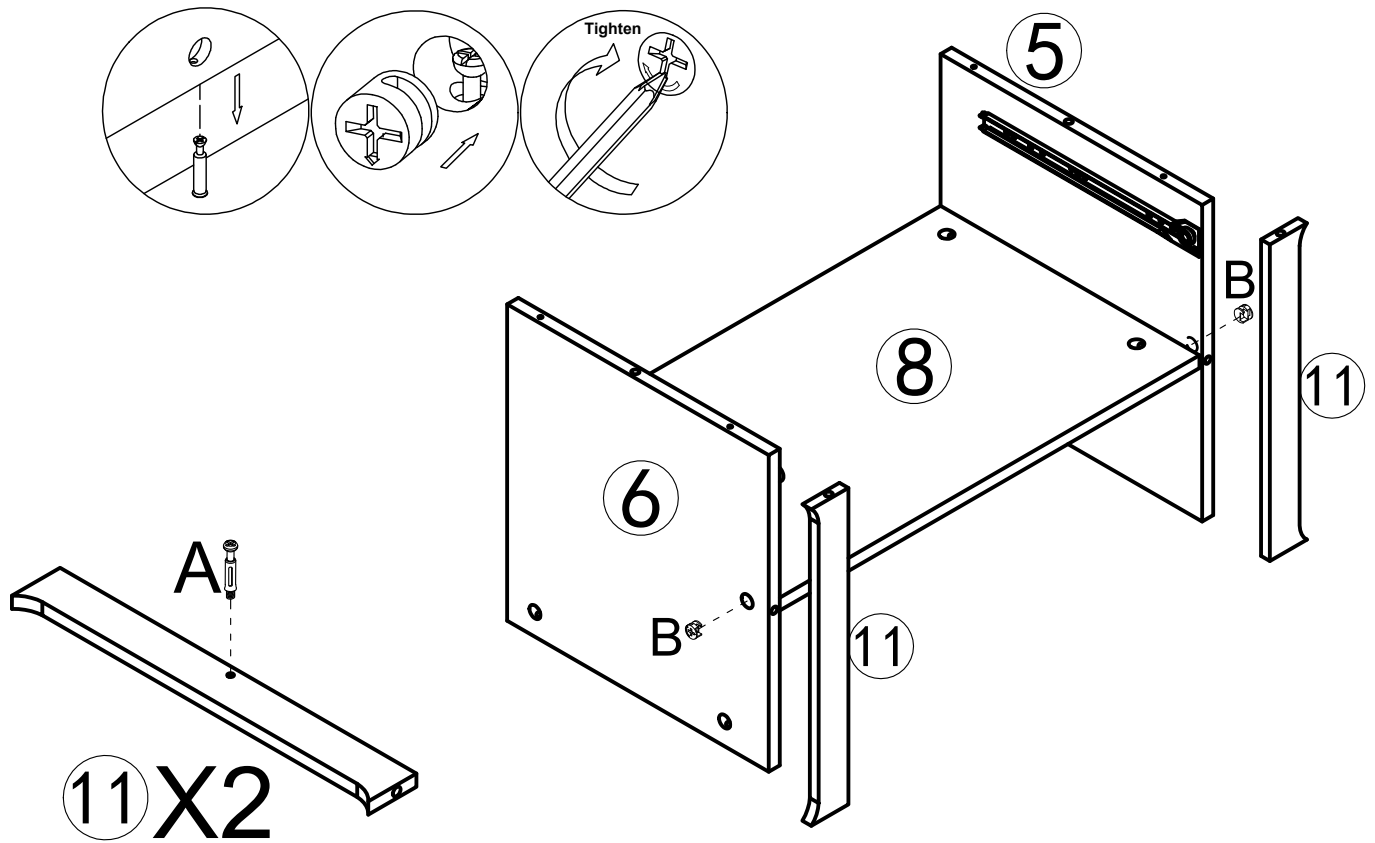
6




G	X2
Ø8x30mm	


B	X4
Ø15x9mm	

7

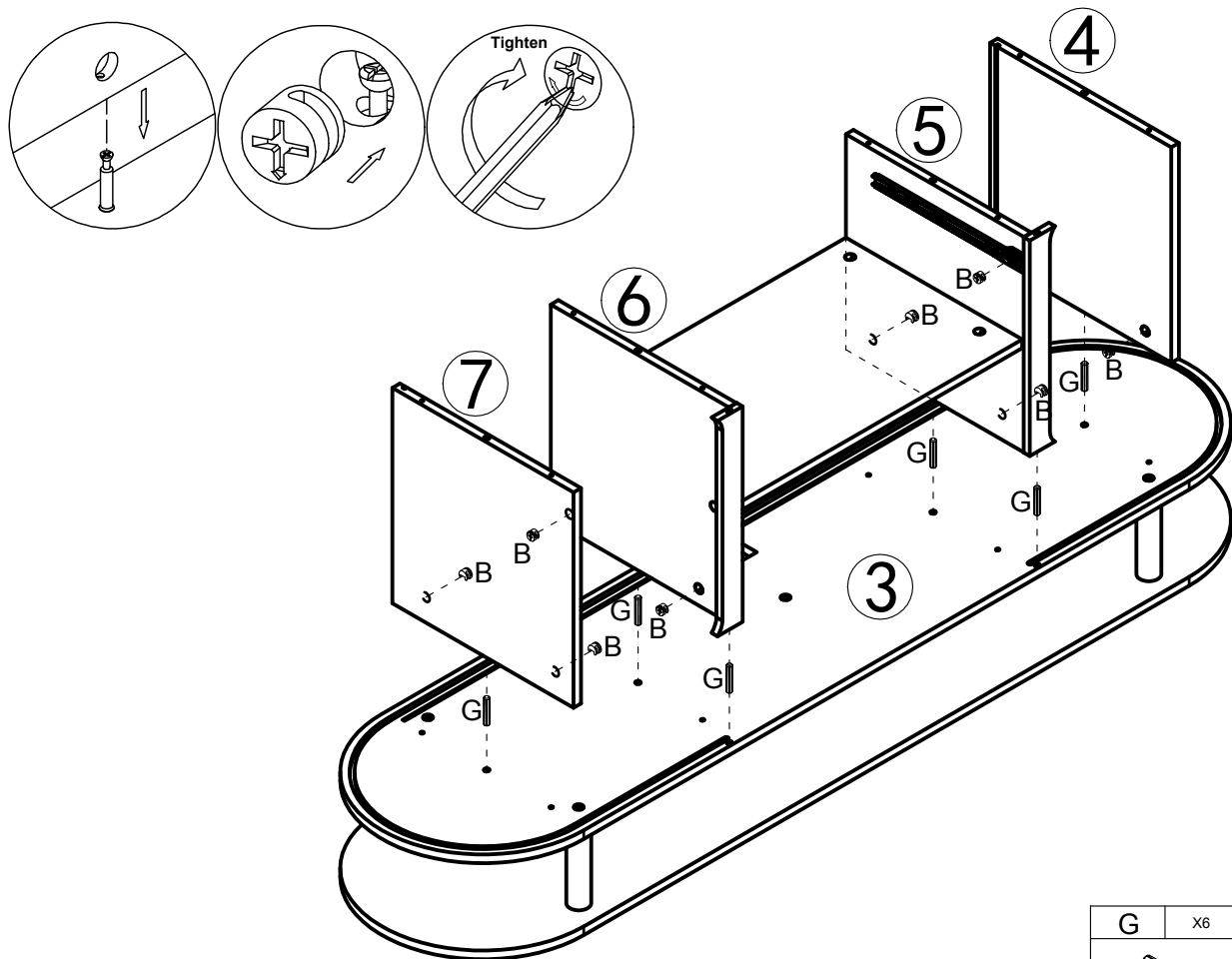



11 X2


A	X2
	
M6x35mm	

B	X2
	
Ø15x9mm	

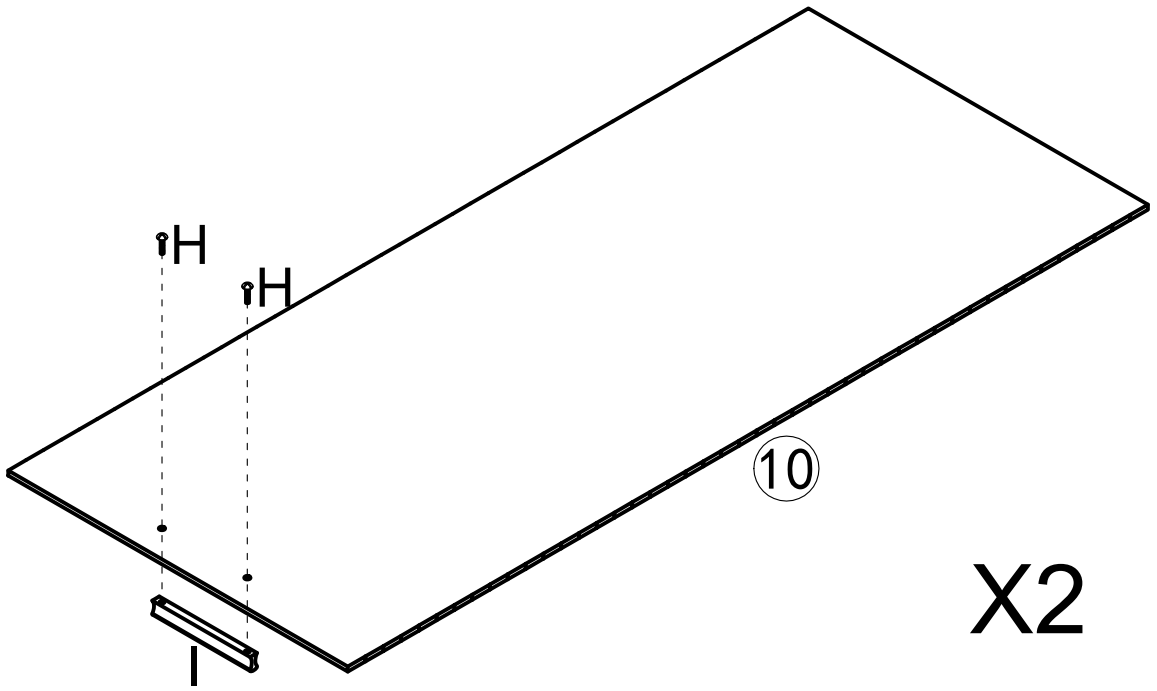
8




G	X6
	
Ø8x30mm	


B	X8
	
Ø15x9mm	

9

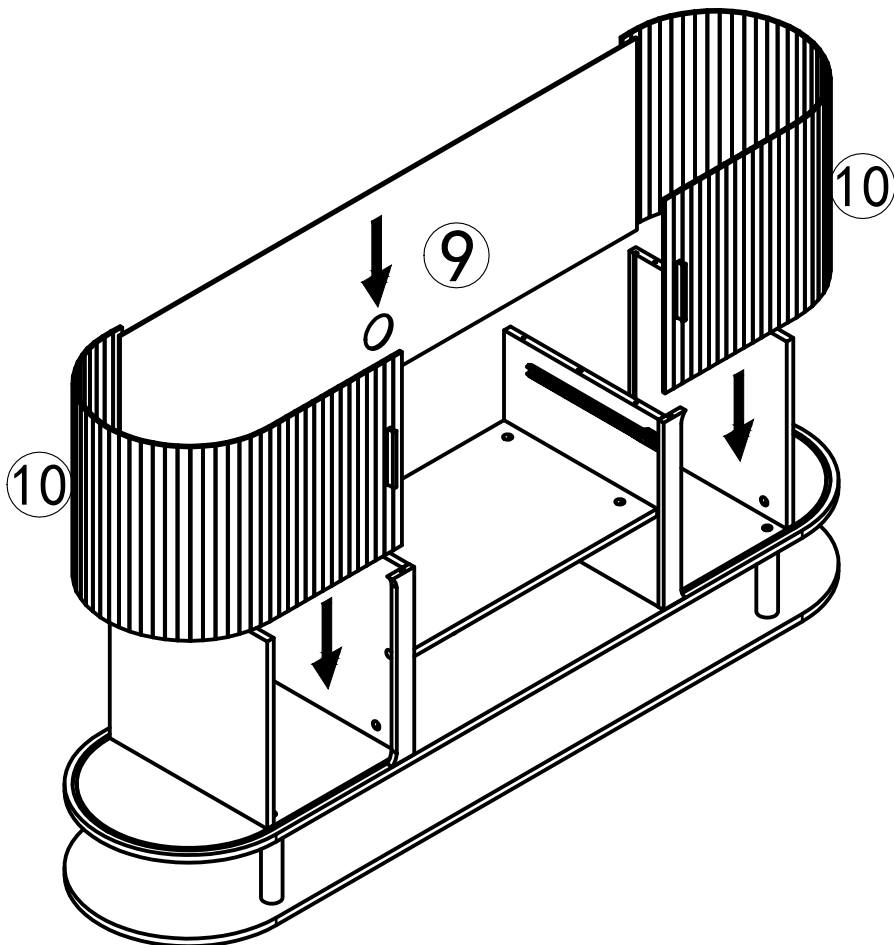


X2

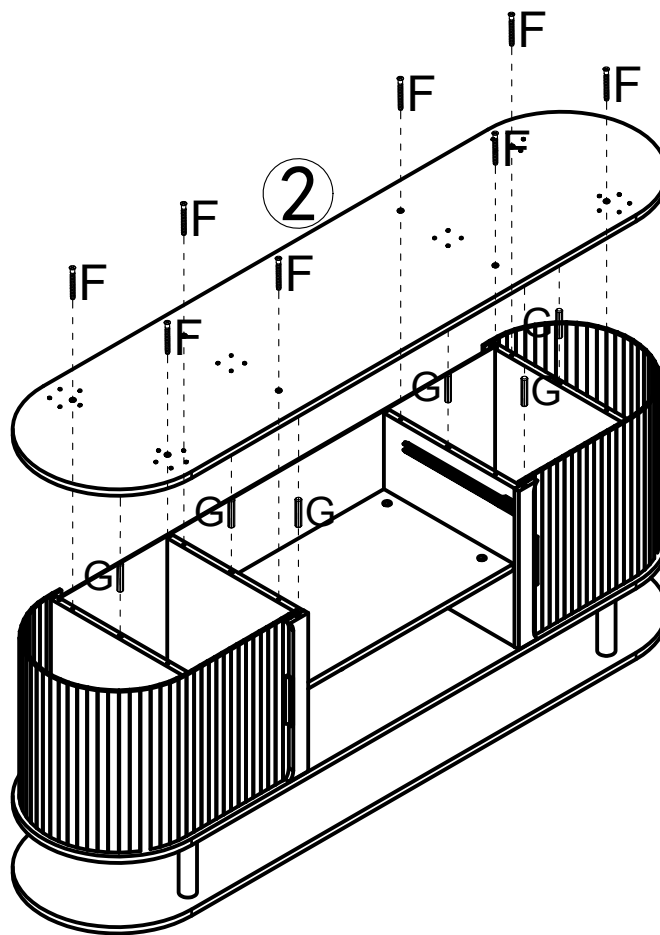
H	X4
	
M4x8mm	


I	X2
	


10



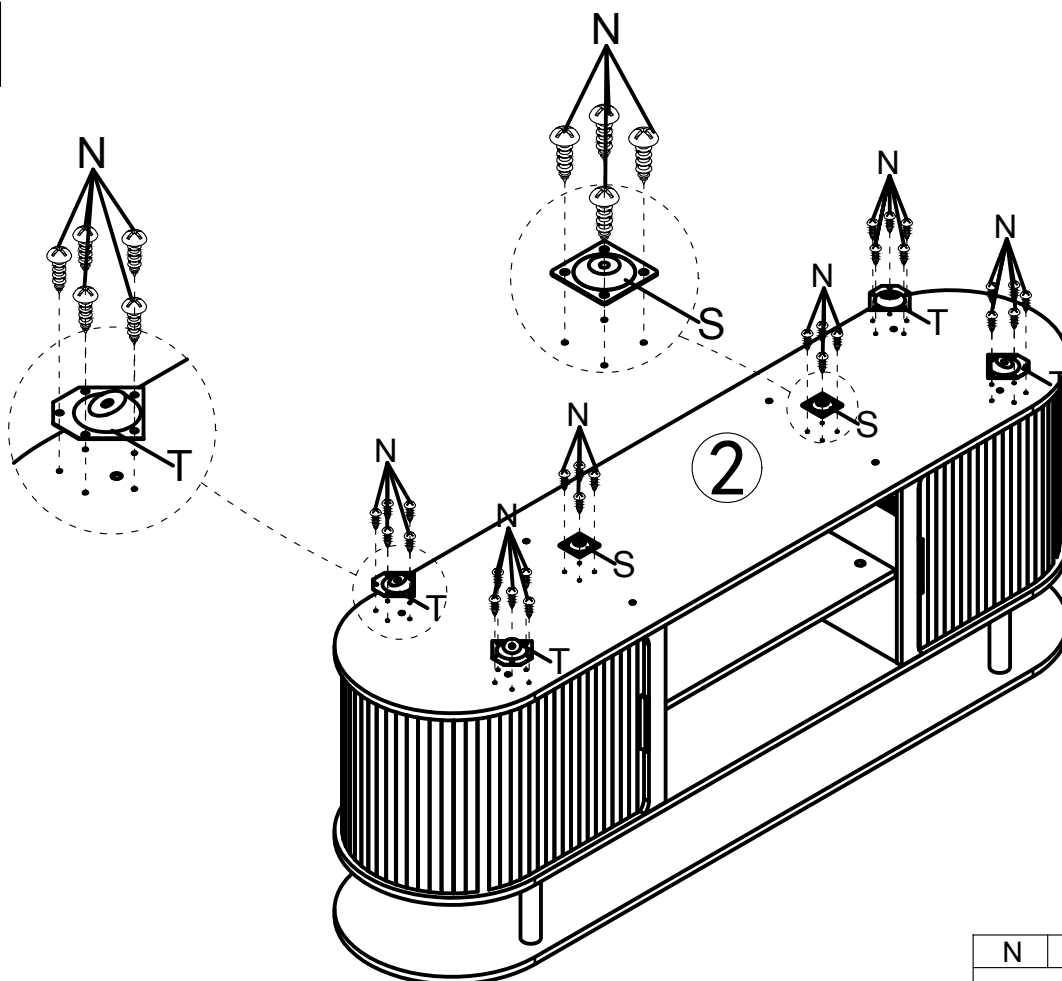
11





G	X6
	
Ø8x30mm	


F	X8
	
M5x40mm	

12

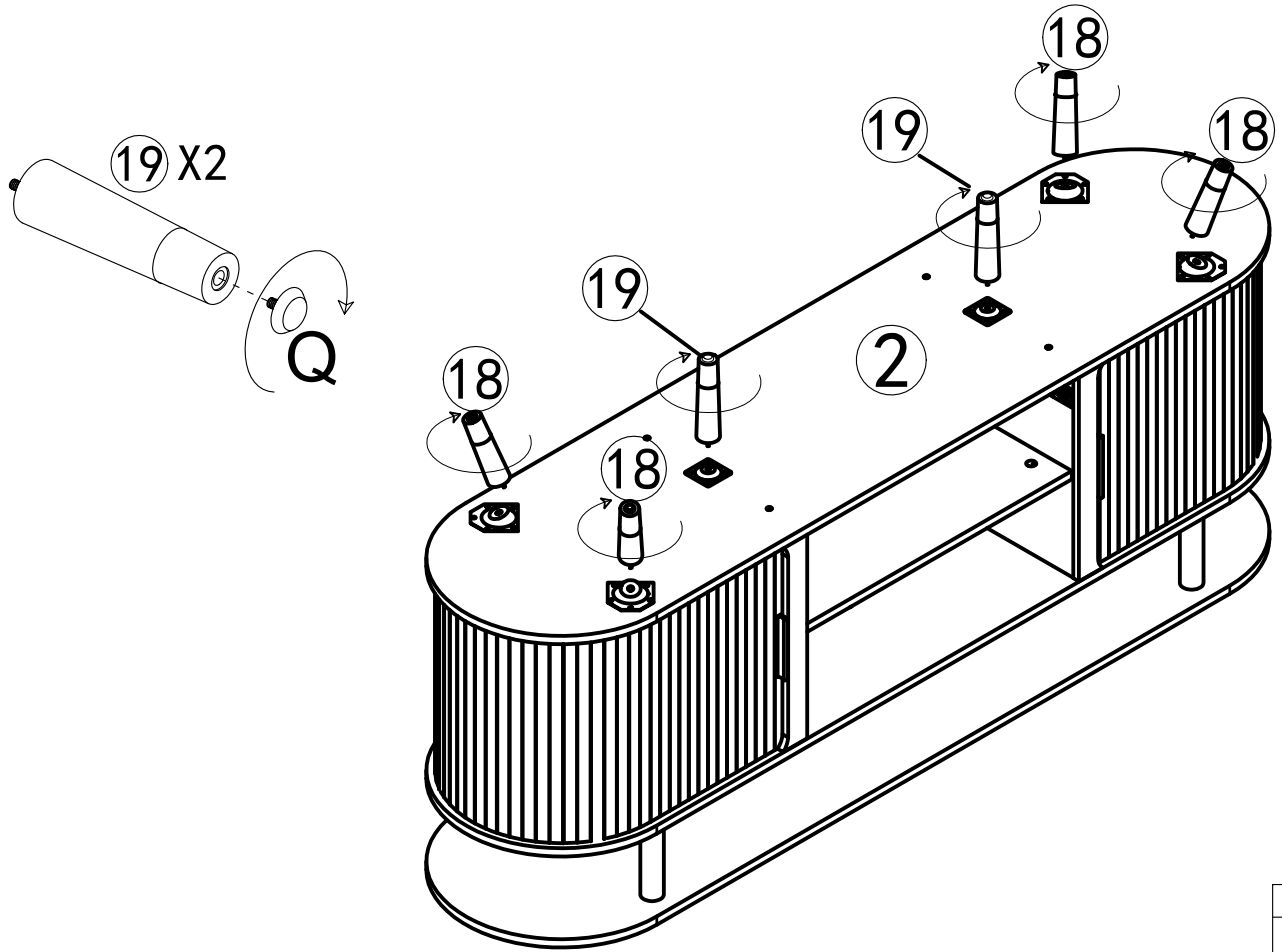



N	X28
	
M4x14mm	

S	X2
	

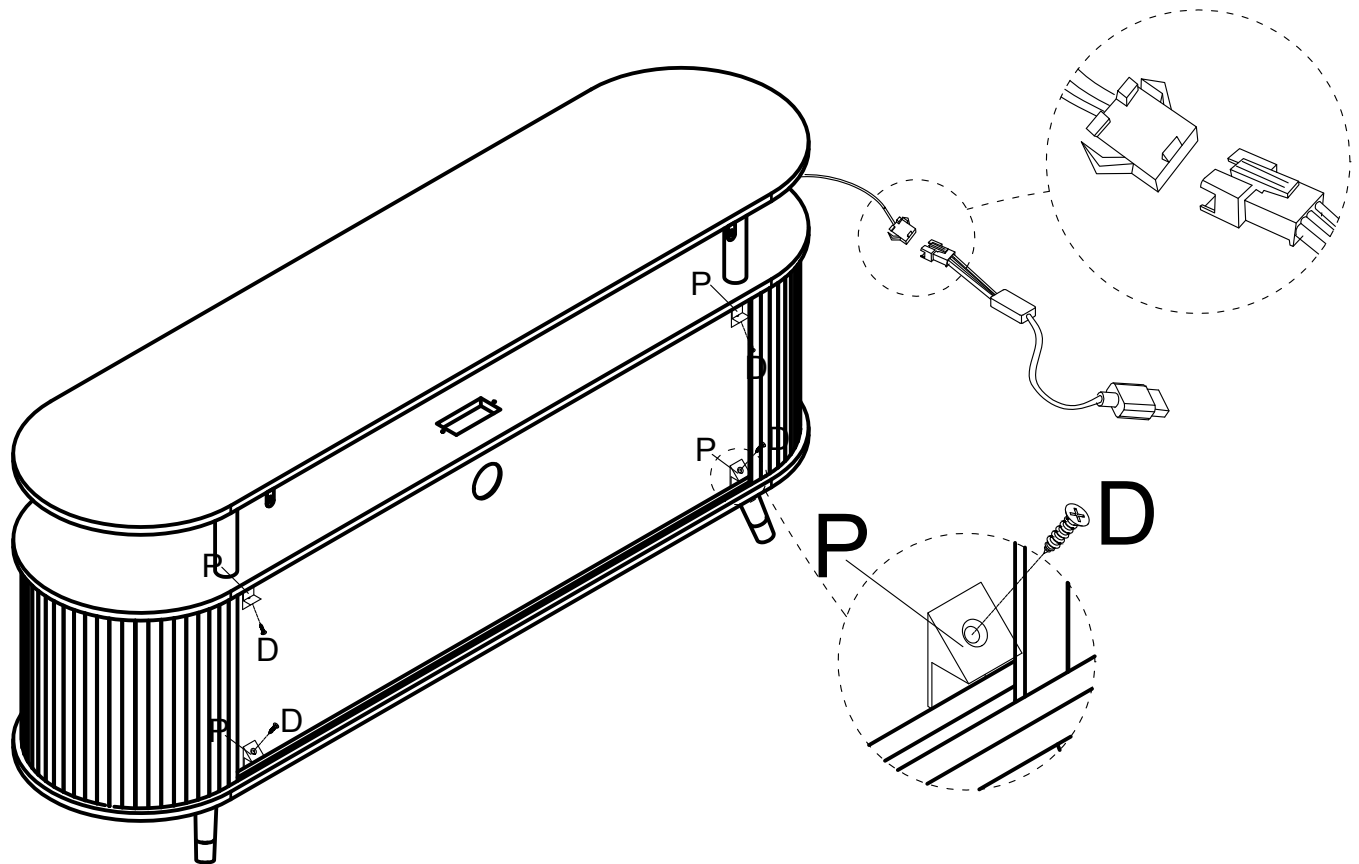
T	X4
	


13




Q	X2
	
M6x20mm	

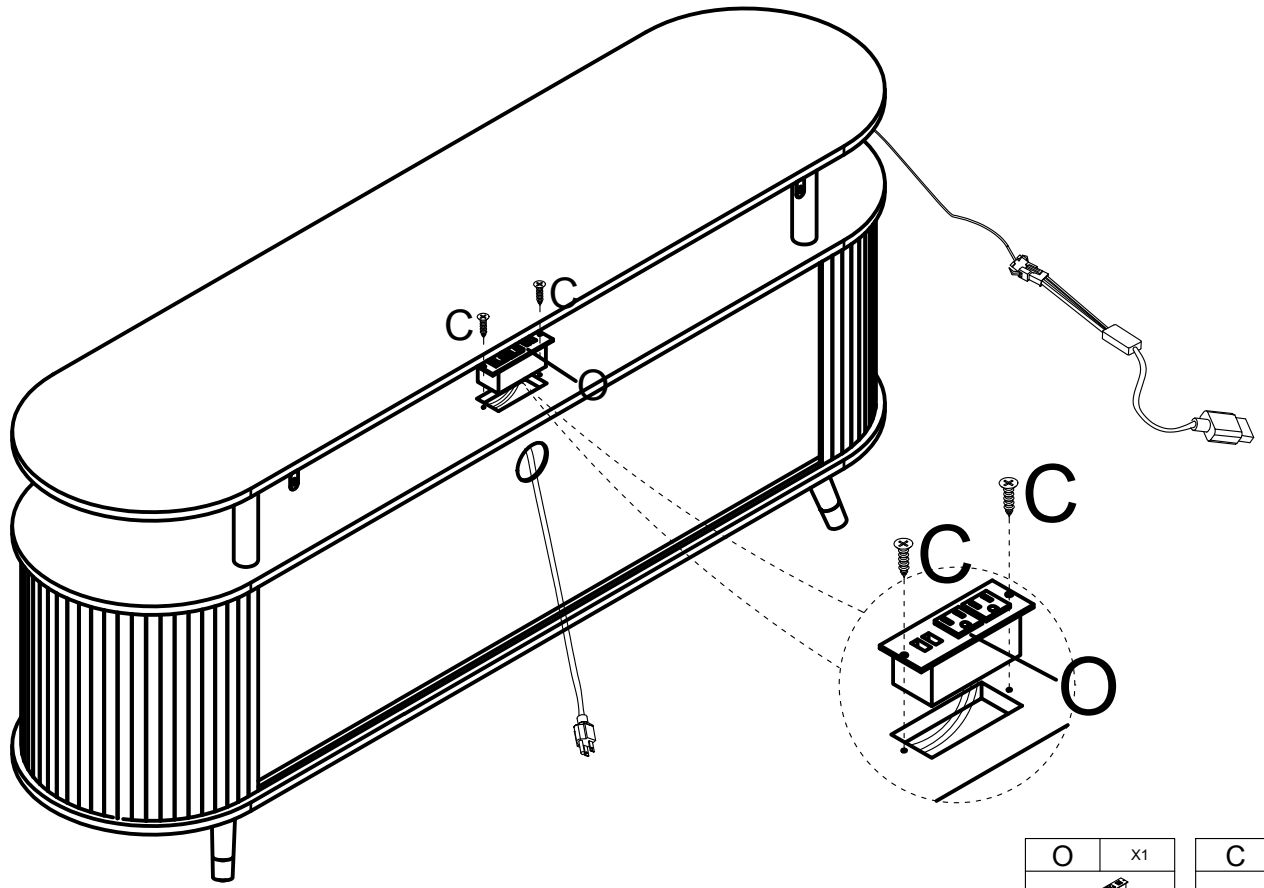
14

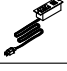



P	X4
	

D	X4
	
M3x16mm	

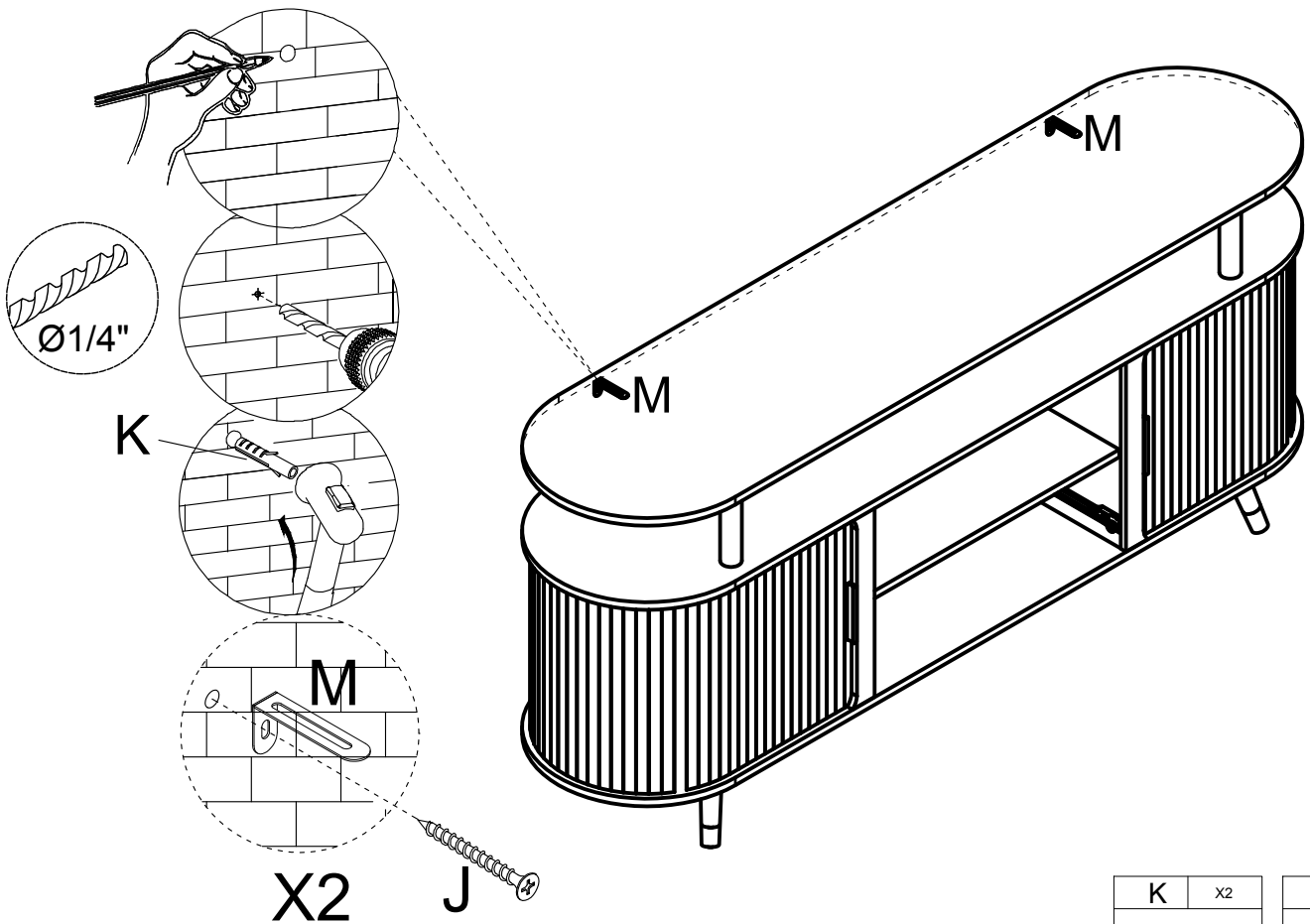
15





O	x1
	

C	x2
	
M3.5x12mm	

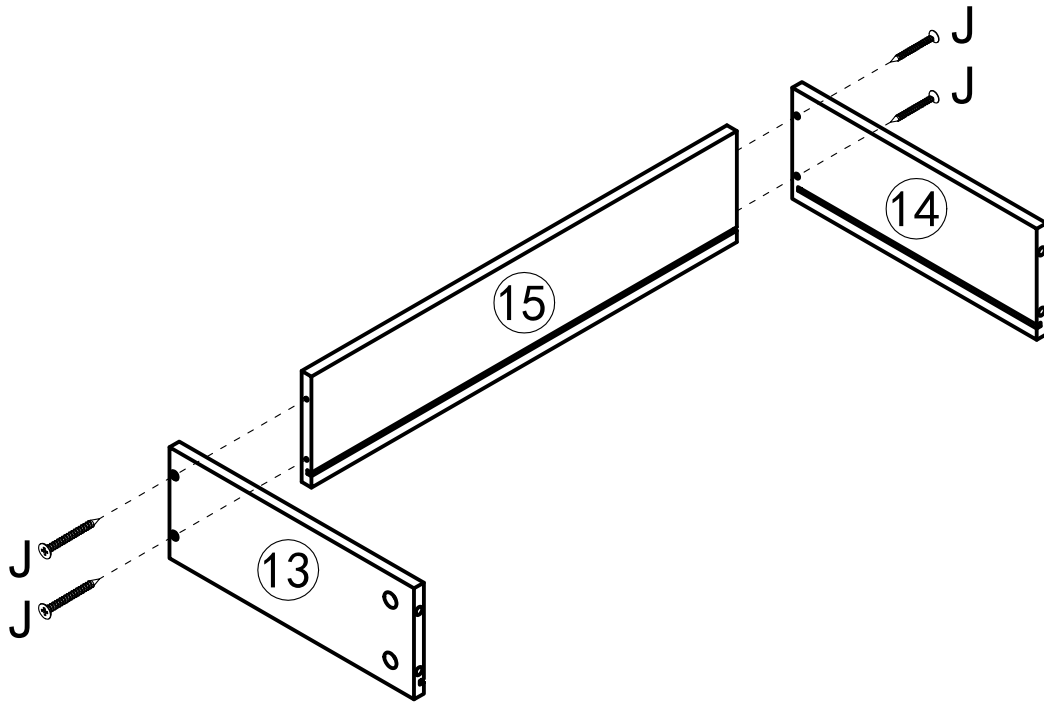
16




K	x2
	
Ø6x30mm	

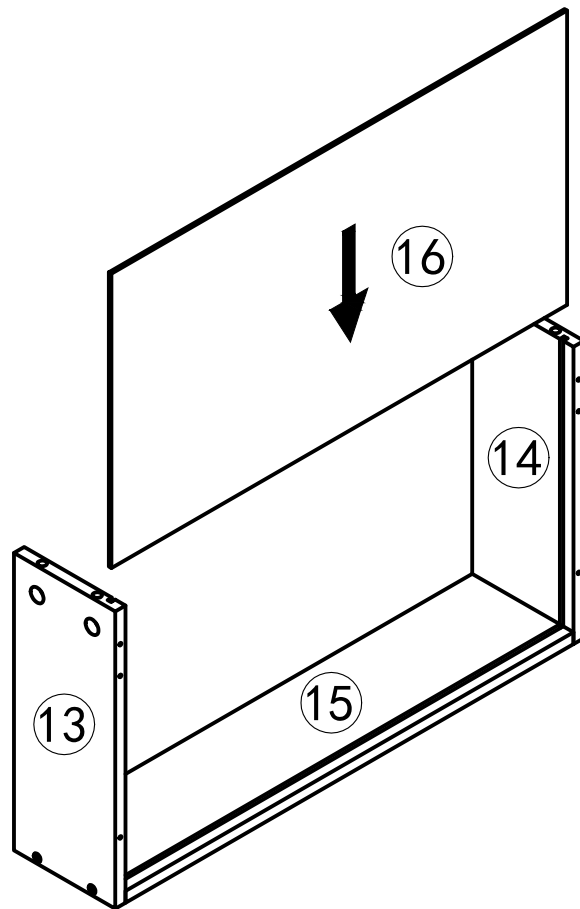
J	x2
	
M4x35mm	

17

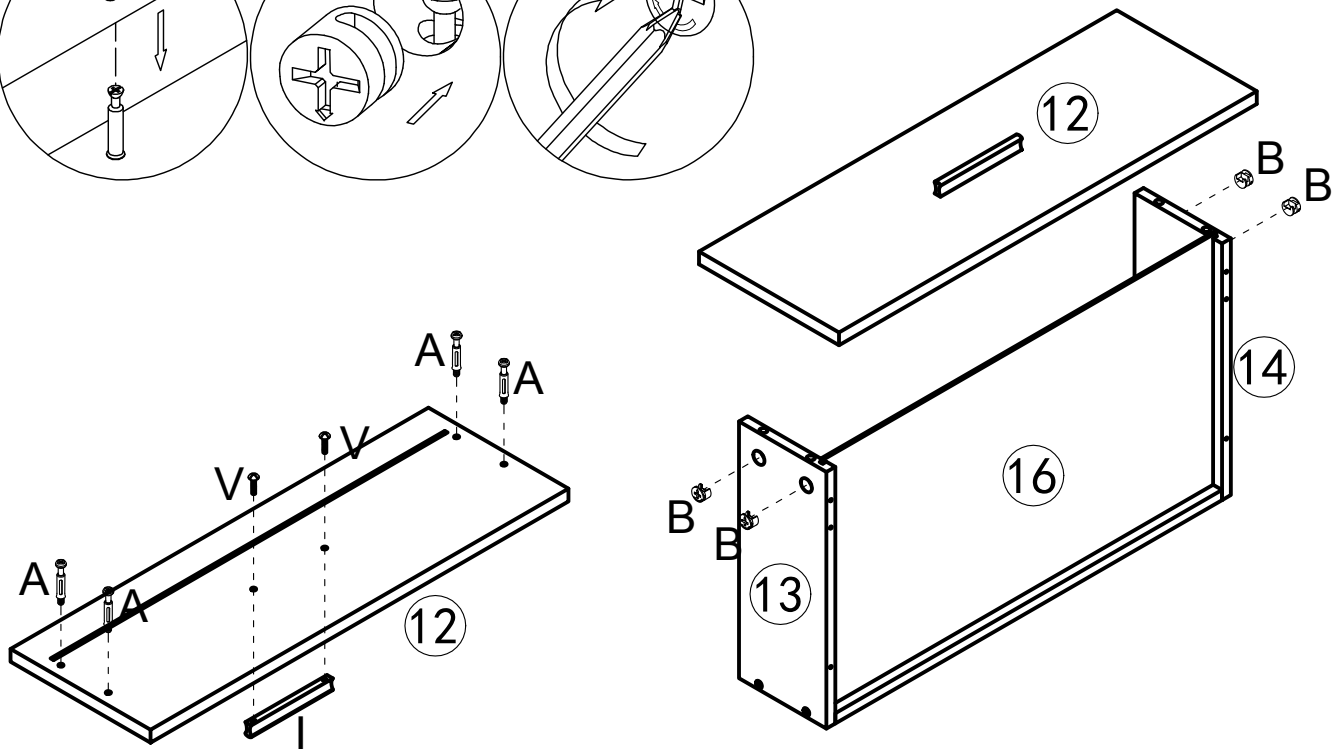
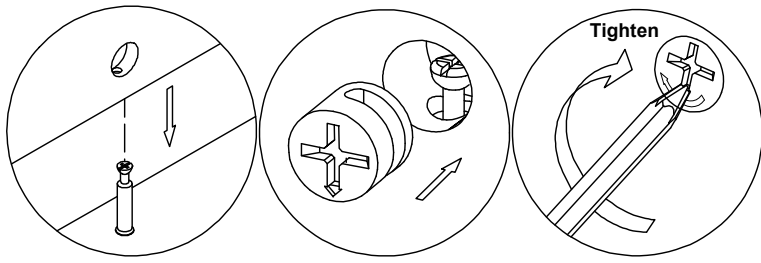


J	X4
	
M4x35mm	

18



19



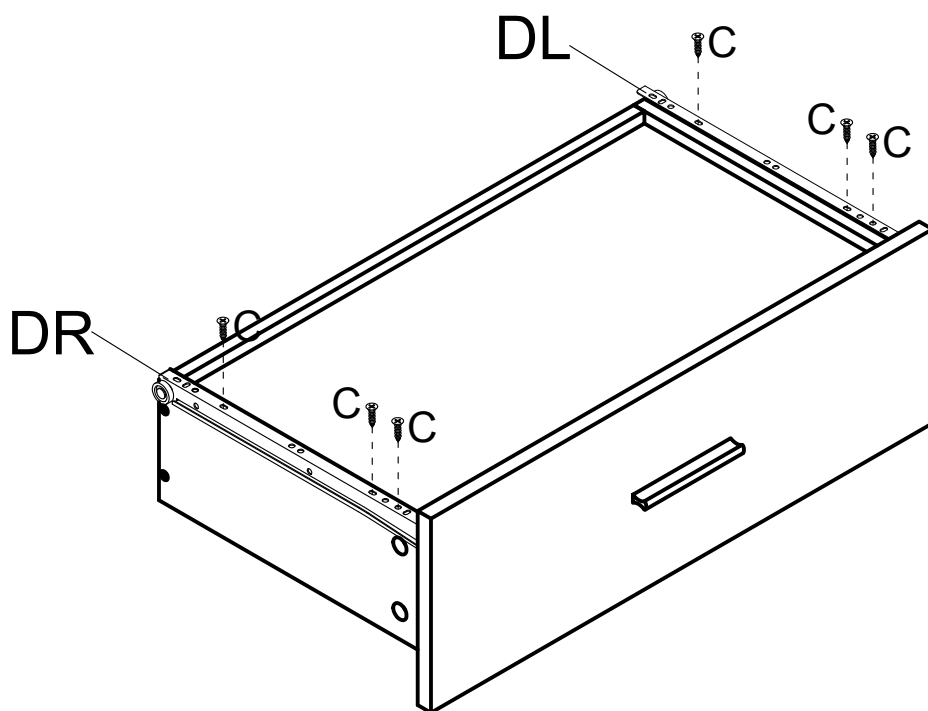
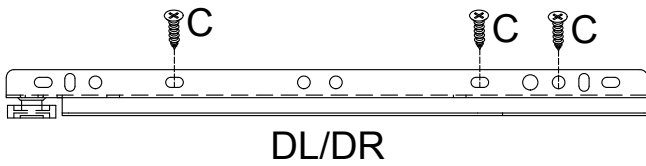
I	X1

V	X2
M4x18mm	

A	X4
M6x35mm	

B	X4
Ø15x9mm	

20



C	X6
M3.5x12mm	

