




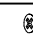


# ASSEMBLY INSTRUCTION

## DESCRIPTION :DRAWER END TABLE

Thank you for purchasing this quality product. Be sure to check all packing material carefully for small Hardware which may have come loose inside the carton during shipment. Identify and count all Hardware and compare with the Hardware List Below.

Parts List		
No.	Description	Qty.
①	Table Top	1 Pc
②	Leg	4 Pcs
③	Shelf Frame	1 Pc

Assembly Hardware Pack			
④			
No.	Description	Hardware	Qty.
(A)	JCBC Screw Ø5/16" x 57mm		8 Pcs
(B)	Spring Washer Ø5/16"		8 Pcs
(C)	Flat Washer Ø5/16" x 19mm		8 Pcs
(D)	Allen Key M4		1 Pc
(E)	Bracket		4 Pcs
(F)	Screw M3.5 x 20mm		8 Pcs

