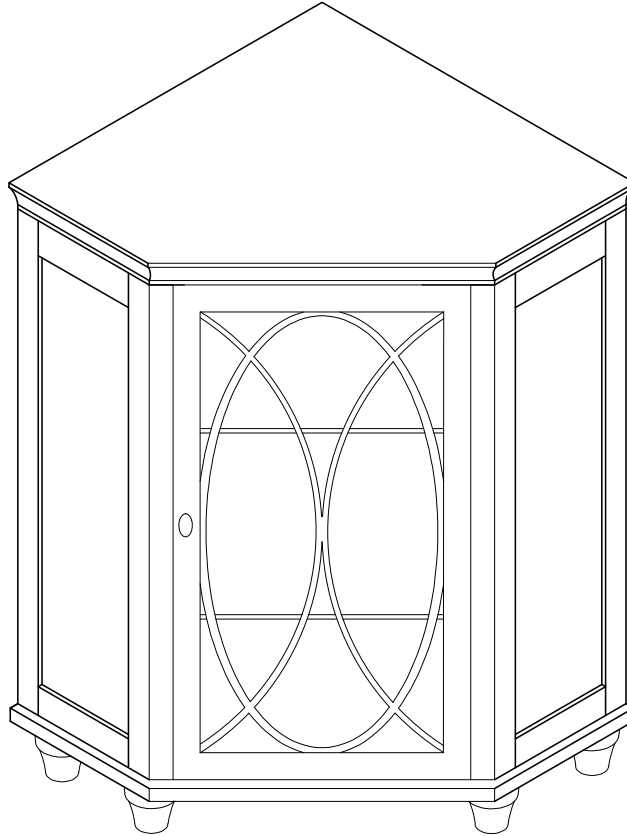


ASSEMBLY INSTRUCTIONS

Corner Floor Cabinet



This product comes with a 1 year warranty. Products purchased second hand/used are not covered under the warranty.

ASSEMBLY INSTRUCTIONS-IMPORTANT

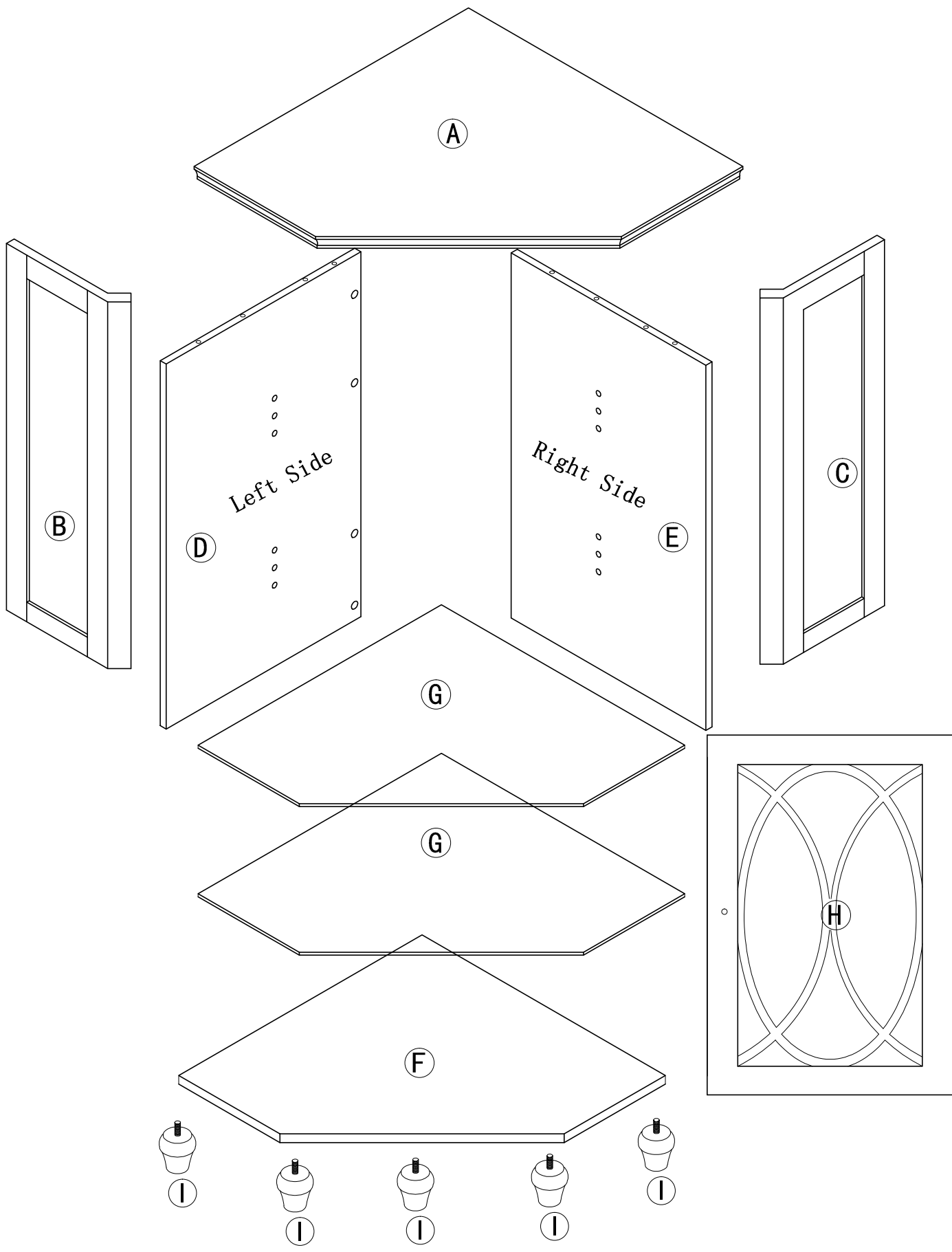
Carefully unpack & identify each component before attempting to assemble. Refer to parts list. Please take care when assembling the unit and always set the parts on a clean, soft surface.

INSTRUCCIONES PARA ARMAR-IMPORANT:

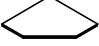
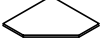
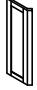
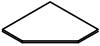




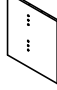
Desempaque cuidadosamente e identifique cada componente antes de tartar de empezar su ensambladura. Verifique la lista de partes.

DIRECTIVES DE MONTAGE-IMPORTANT:



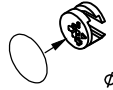
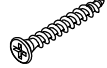





Avant de commencer l'assemblage, déballez délicatement toutes les pièces et repérez-les sur la liste des pièces.



COMPONENTS

PART	FIGURE	DESCRIPTION	QTY	PART	FIGURE	DESCRIPTION	QTY
A		TOP PANEL	1PC	F		BOTTOM PANEL	1PC
B		FRONT LEFT SIDE PANEL	1PC	G		GLASS SHELF	2PCS
C		FRONT RIGHT SIDE PANEL	1PC	H		DOOR	1PC
D		BACK LEFT SIDE PANEL	1PC	I		LEG	5PCS
E		BACK RIGHT SIDE PANEL	1PC				

HARDWARE & TOOLS

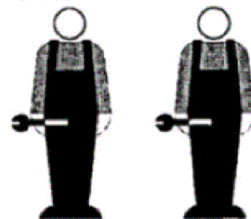
PART	FIGURE	DESCRIPTION	QTY	PART	FIGURE	DESCRIPTION	QTY
1		CAM BOLT	22PCS	6	 $\phi 3*12$	SCREW	4PCS
2	 $\phi 15*12$	BIG CAM LOCK	14PCS	7	 $\phi 4*25$	SCREW	2PCS
3	 $\phi 15*9$	SMALL CAM LOCK	8PCS	8		KNOB HANDLE	1PC
4	 $\phi 8*30$	WOODEN DOWEL	18PCS	9		BOLT	1PC
5		SHELF PIN	8PCS				

TOOL NEEDED:



**PHILIPS SCREWDRIVER REQUIRED
- NOT INCLUDED**

SUGGESTION:



TWO PEOPLE FOR ASSEMBLING



WARNINGS:

1. DO NOT LET ANY SHARP OBJECTS TOUCH OR RUB THE SURFACE OF THE PRODUCT.
2. WHEN ASSEMBLING, DO NOT LET CHILDREN PLAY AROUND THE WORKING AREA.
3. PLEASE CONFIRM ALL PARTS ARE CORRECT BEFORE STARTING THE ASSEMBLY PROCESS.
4. DO NOT TIGHTEN ALL BOLTS AND SCREWS COMPLETELY UNTIL THE ENTIRE UNIT HAS BEEN ASSEMBLED AND SET UP.

1



6 PCS

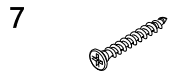


2 PCS

∅15*12

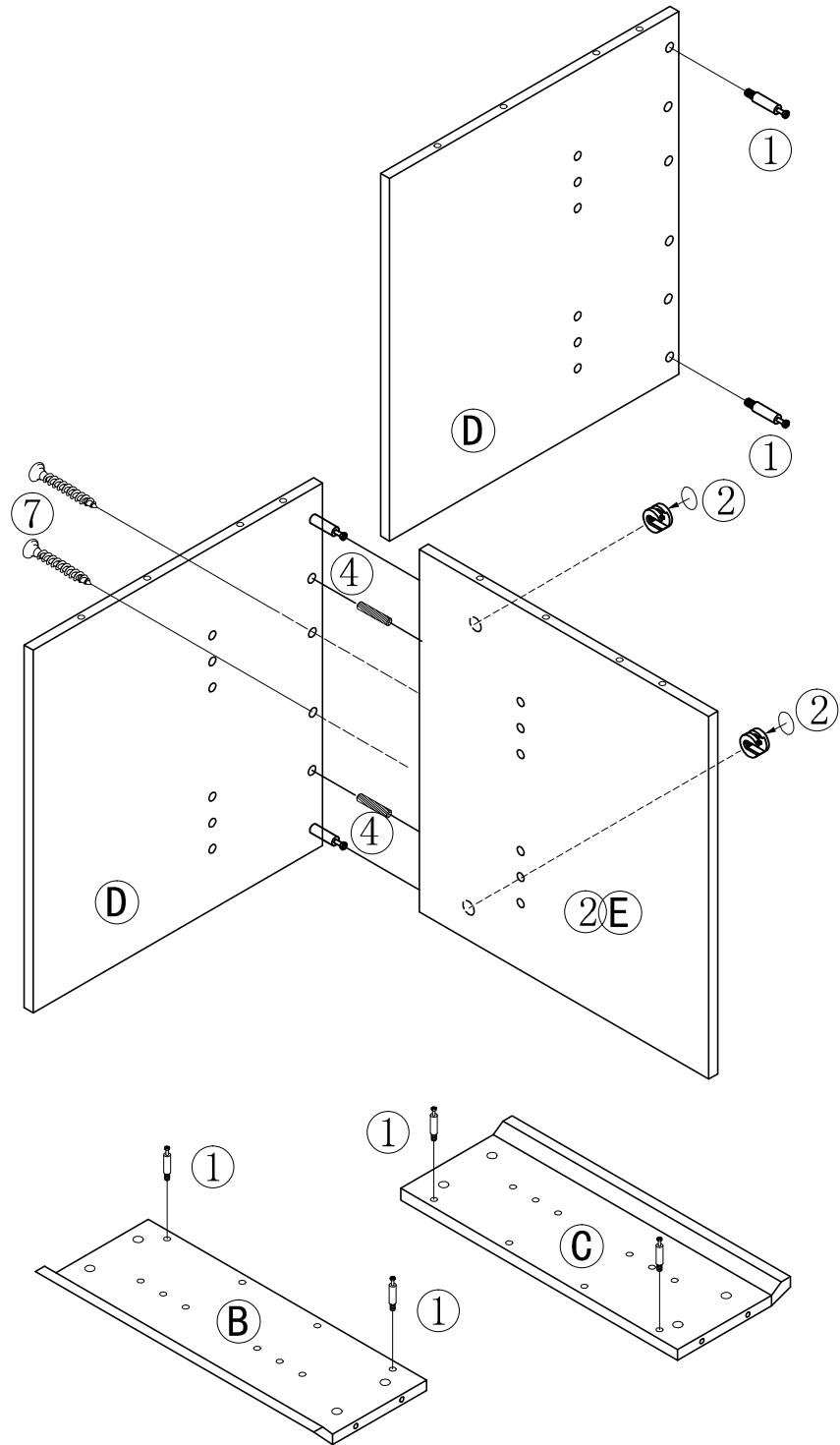


2 PCS



2 PCS

∅4*25



Step 1.

- 1.Screw cam bolts (1) to panel D.
- 2.Attach panel E to panel D with dowels (4) & screws (7) and secure with cam locks (2)
- 3.Screw cam bolts (1) to panels B & C.

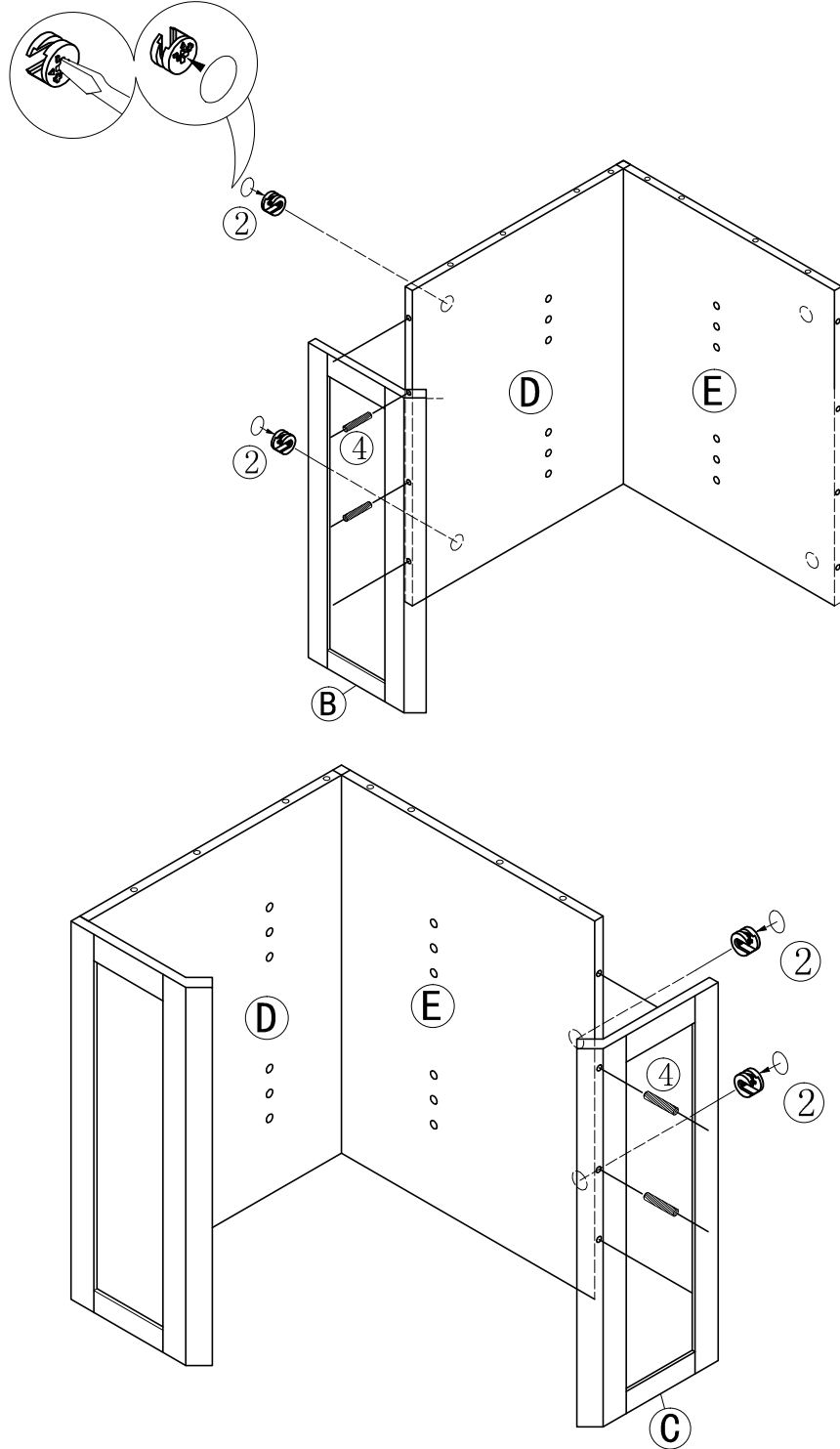
2

2

4 PCS $\phi 15*12$

4

4 PCS



Step 2.

1. Attach panel B to panel D with dowels (4) and secure with cam locks (2).
2. Attach panel C to panel E with dowels (4) and secure with cam locks (2).

3



8 PCS



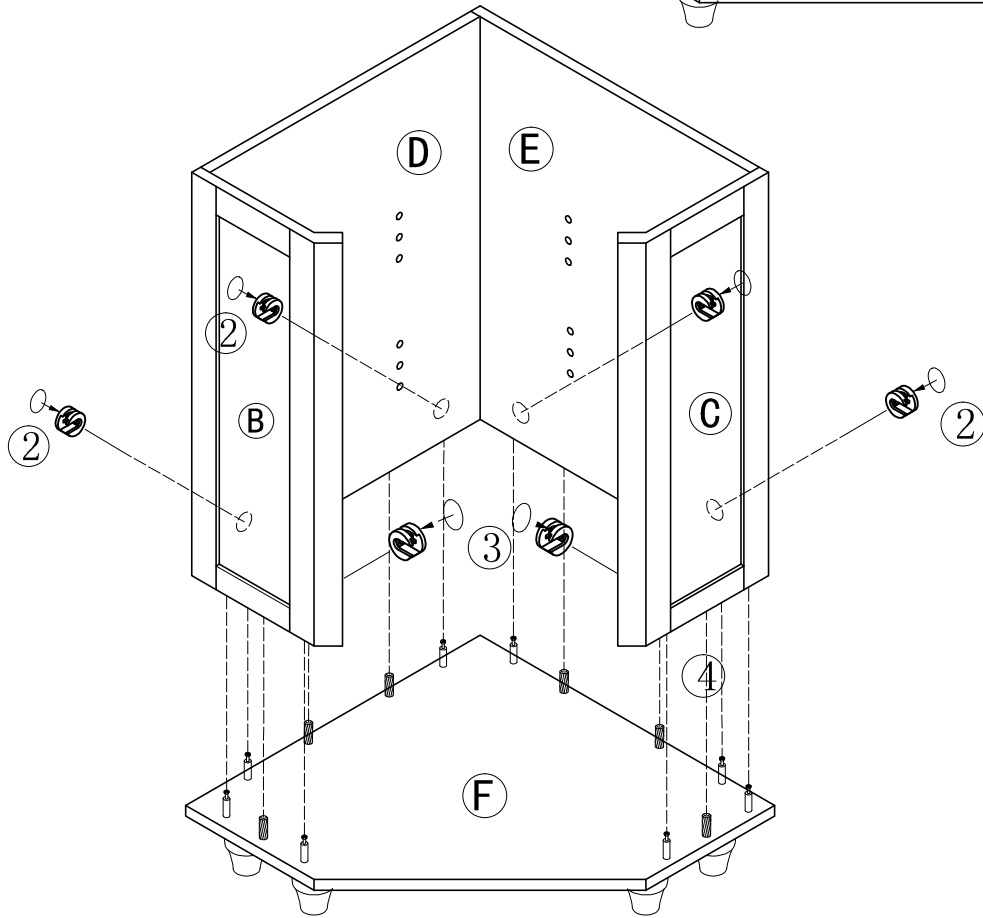
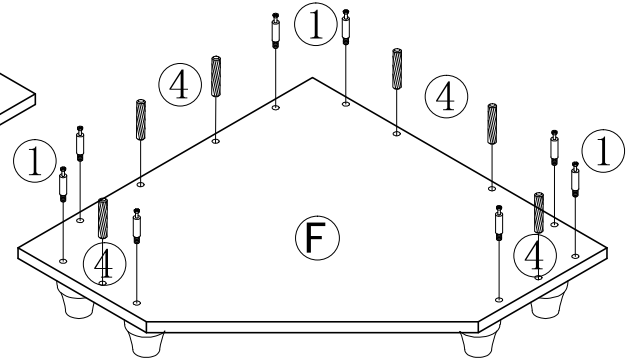
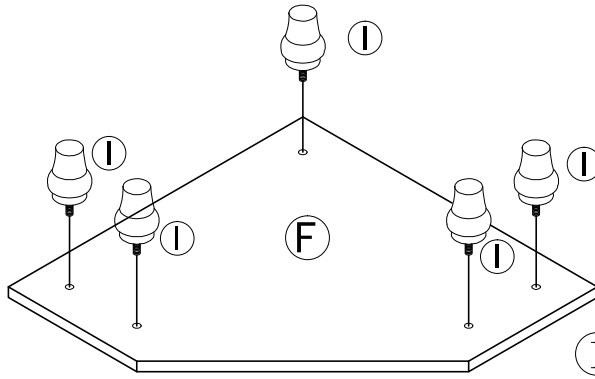
4 PCS



4 PCS



6 PCS



Step 3.

1.Screw Legs I to panel F.

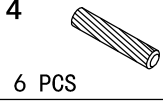
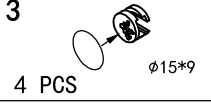
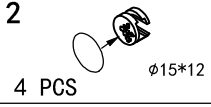
2.Screw cam bolts (1) and insert dowels (4) to panel F.

3.Attach panels B,C,D & E to panel F and secure with cam locks (2) &(3).

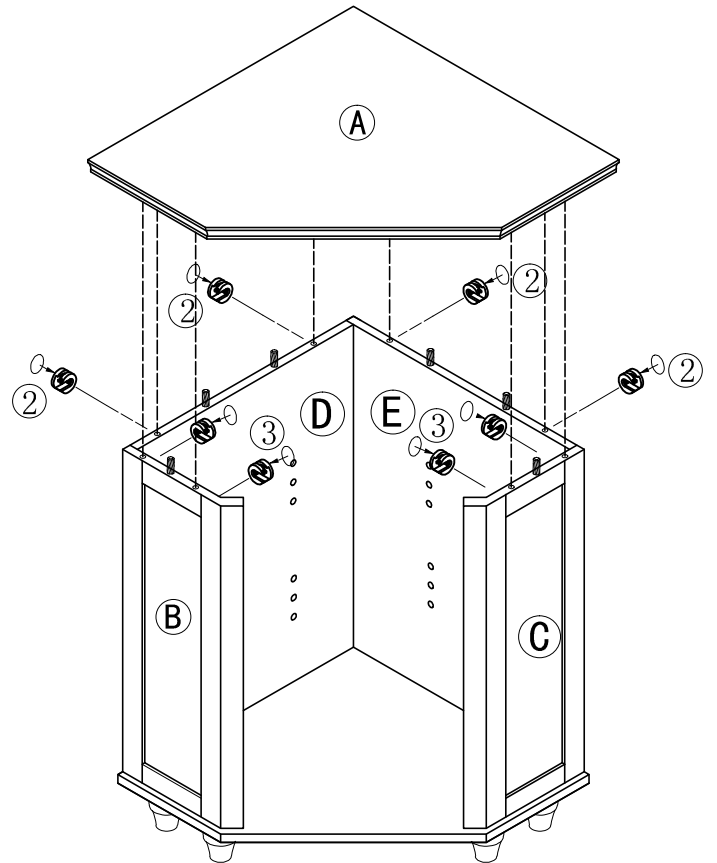
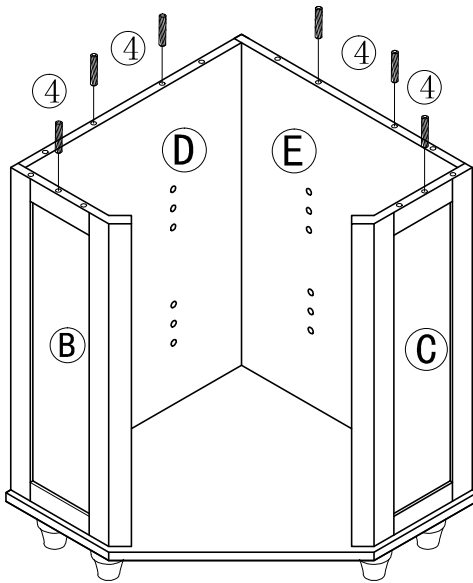
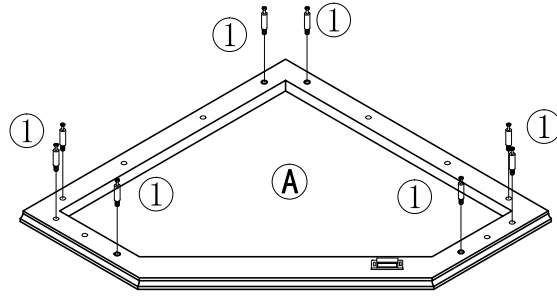
4



8 PCS



6 PCS



Step 4.

- 1.Screw cam bolts (1) to panel A.
- 2.Insert dowels (4) in the tops of panels B,C,D & E.
- 3.Attach panel A to the top of the cabinet and secure with cam locks (2) &(3).

5

5



8 PCS

6



4 PCS

ø3*12

8

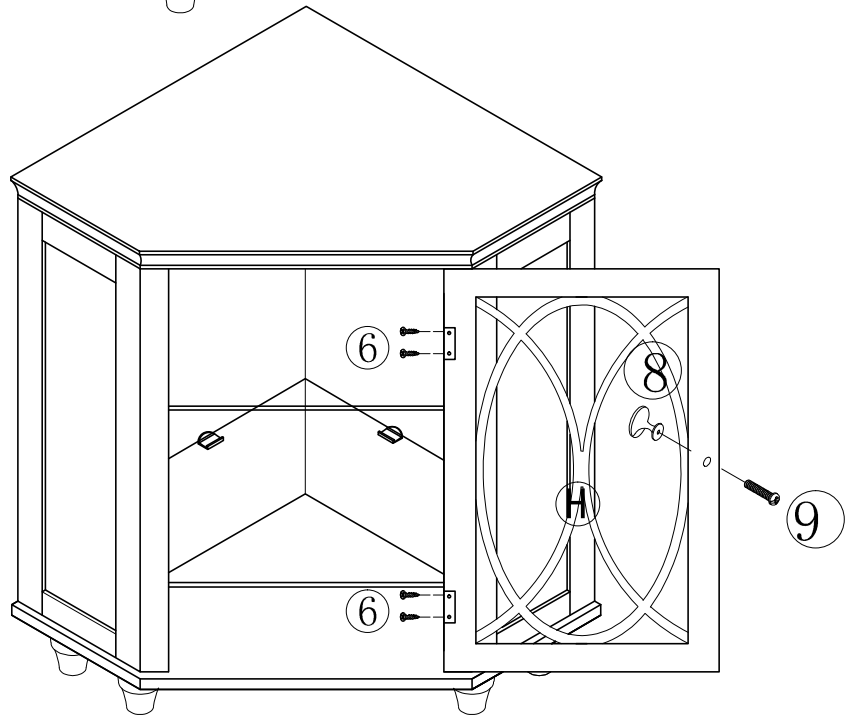
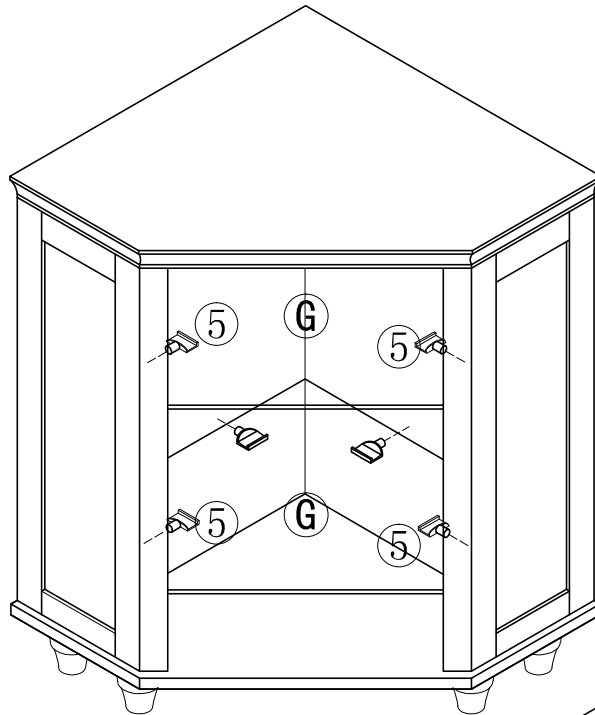


1 PC

9



1 PC



Step5.

- 1.Insert shelf pins (5) in panels B,C,D & E and rest the glass shelf G on the shelf pins.
- 2.Attach door H to panel C with screws (6).
- 3.Attach knob (7) to door H with bolt (8).