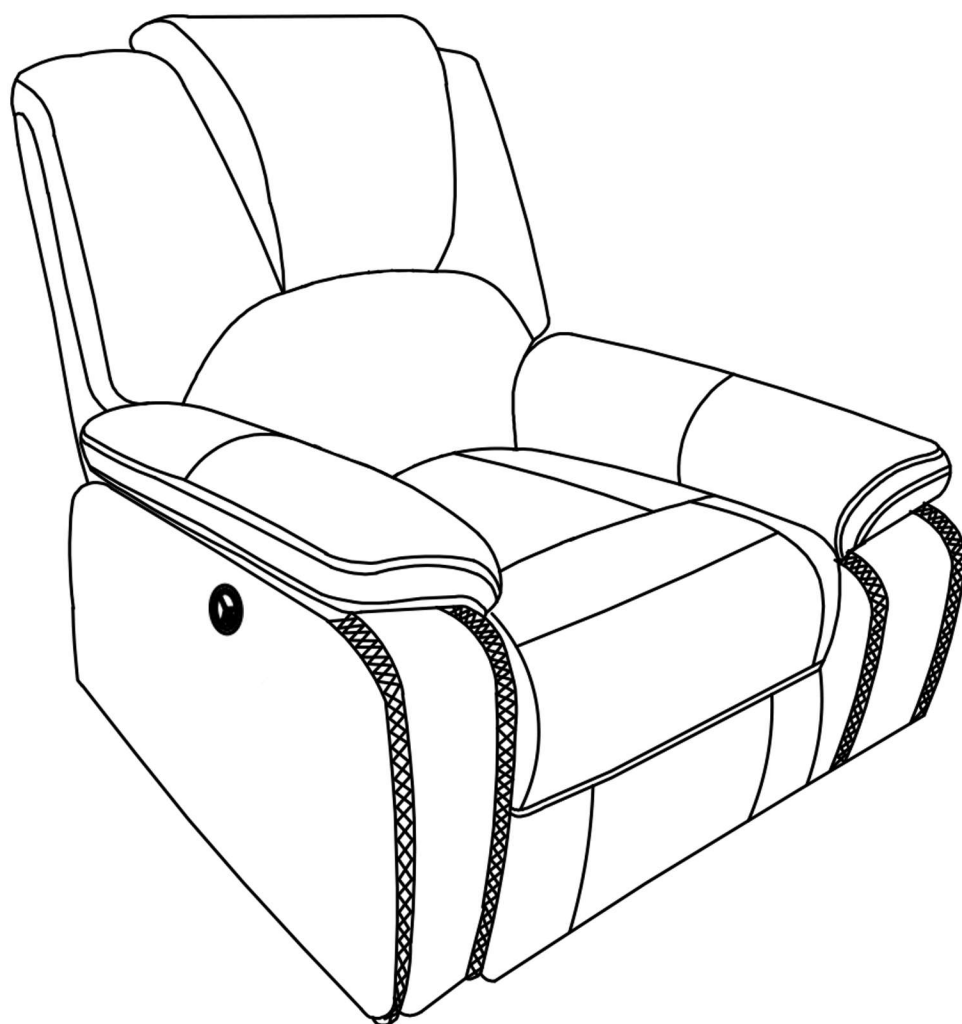
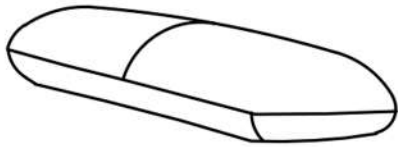


ASSEMBLY INSTRUCTIONS



PARTS AND HARDWARE

Avoid using sharp objects such as a knife to cut open packing as you may accidentally damage the upholstery.



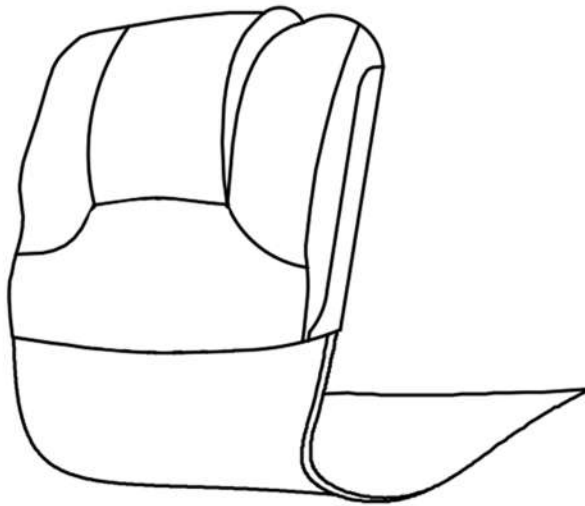
Left Arm 1x



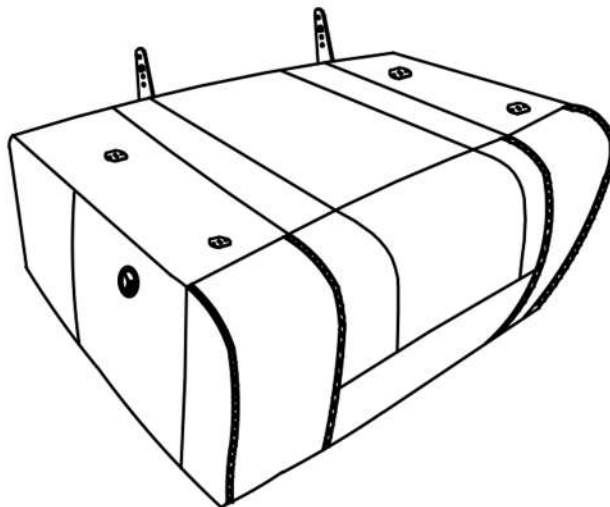
Right Arm 1x



Bolt 4x



Backrest
1x



Seat Body
1x

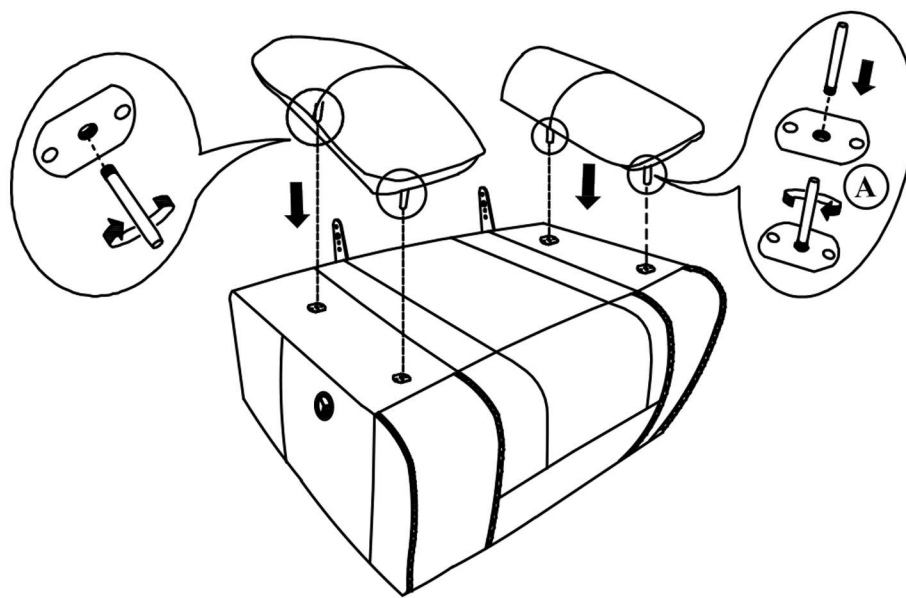
ASSEMBLY INSTRUCTIONS

CAUTION: At least two adults are required to safely complete performing this task.
Other lifting attempts may risk back injury due to large and heavy part(s).

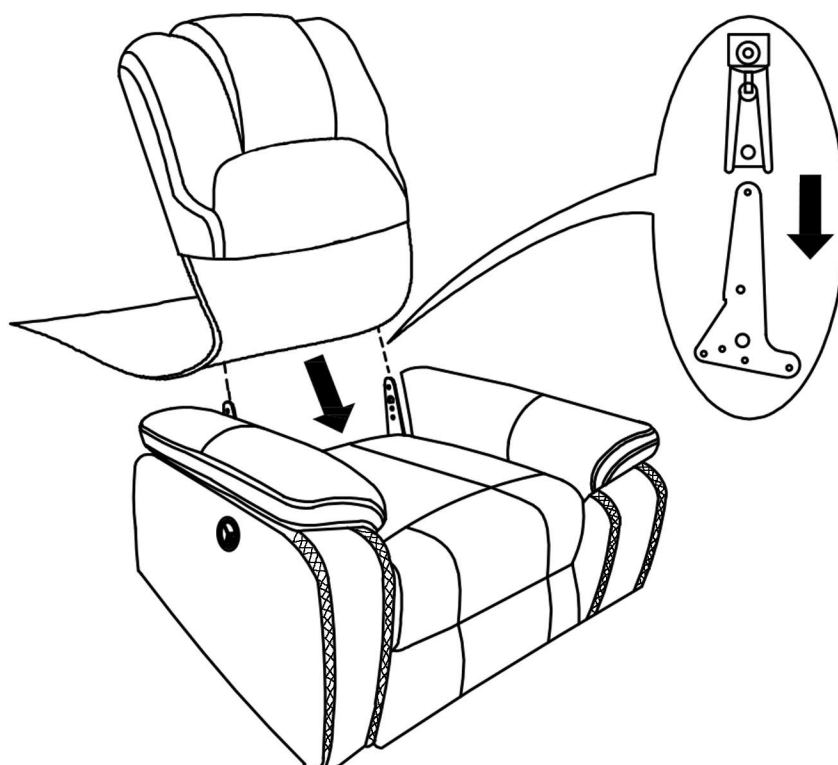


1 Carefully unpack and place parts on a clean flat surface.

2 Attach the bolt to the Left ear / Right ear and put them to Seat Body
Ensuring it is correctly in place. Like this ① and ②



3 Attach Backrest to Seat Body
Ensure it is correctly in place.

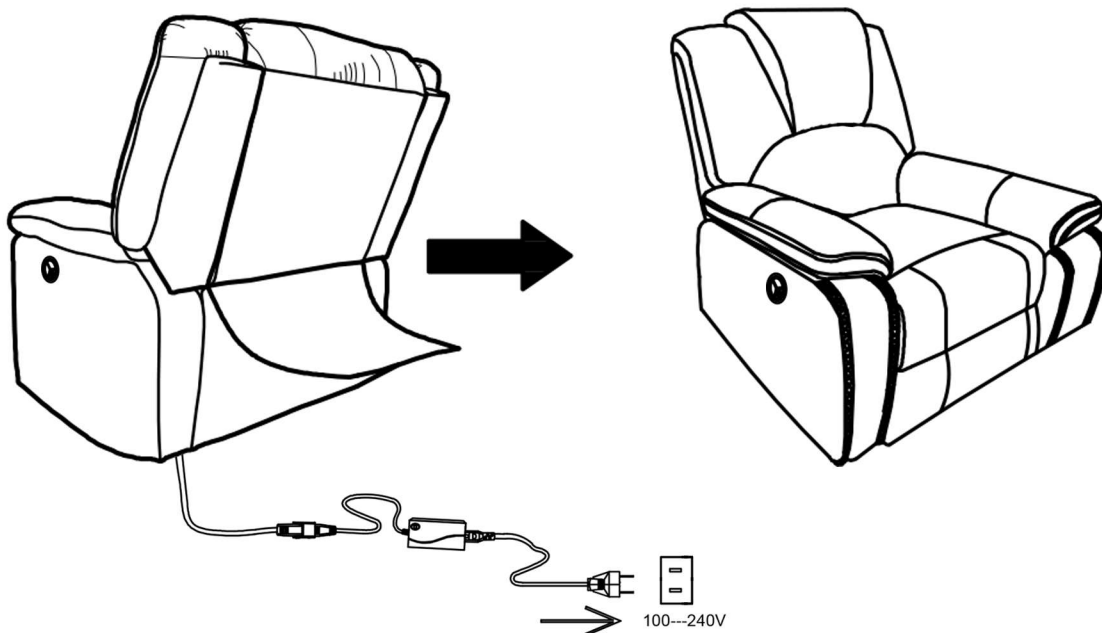


ASSEMBLY INSTRUCTIONS

CAUTION: At least two adults are required to safely complete performing this task.
Other lifting attempts may risk back injury due to large and heavy part(s).



- 5** Stretch and pull down rear cover evenly before securing velcro strip to seat base. Repeat if necessary for better fit.



OPERATING YOUR UNIT

Converting to Footrest Position

- To raise or lower the legrest, push the power switch & hold.
- Release the switch when the legrest reaches the desired high

