

# ASSEMBLY INSTRUCTIONS

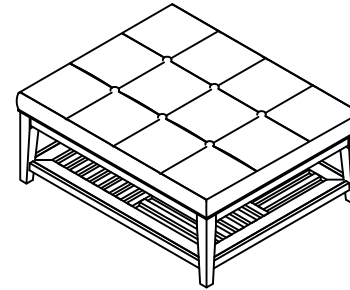
## COCKTAIL TABLE

### TOOLS REQUIRED:

Allen Wrench (supplied, part # D)

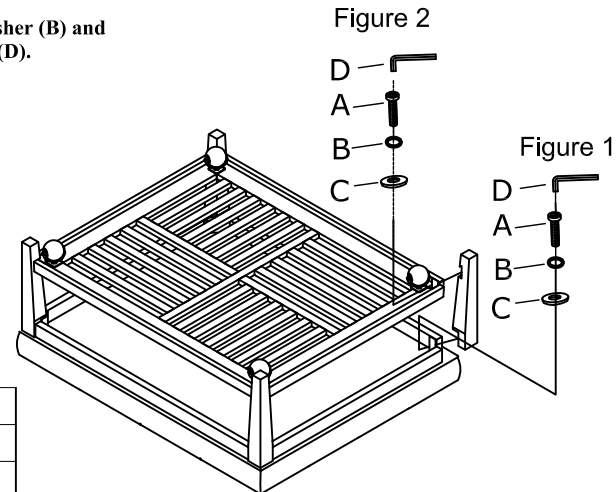
### BEFORE YOU START:

1. Check the parts against the parts list to make sure all items are present.
2. Assemble your furniture on a soft, flat surface to avoid scratching the finish.
3. **CAUTION:** Do not over tighten screws, nuts or bolts during assembly.
4. Your furniture may require occasional tightening.



### INSTRUCTIONS:

1. Turn the table top upside down on a clean soft surface.
2. Attach three legs to top using **Bolt (A)**, Lock washer (B) and Flat washer (C). Tighten with **Allen Wrench (D)**.  
(Shown in Figure 1)
3. Attach the shelf to the legs **Bolt (A)**, Lock washer (B) and Flat washer (C). Tighten with **Allen Wrench (D)**.  
(Shown in Figure 2)
4. Repeat Steps 2 & 3 for the fourth leg.



HARDWARE LIST			
NO.	Drawing	Description	Q'TY
A		Allen Bolt (ø1/4 x 2")	8pcs
B		1/4" Lock Washer	8pcs
C		1/4" Flat Washer	8pcs
D		Wrench (4mm)	1pc