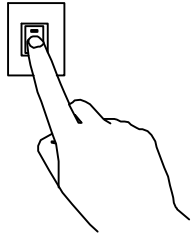


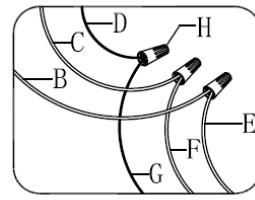
# Installation Instruction hanging lamp

1



turn off the power.

5

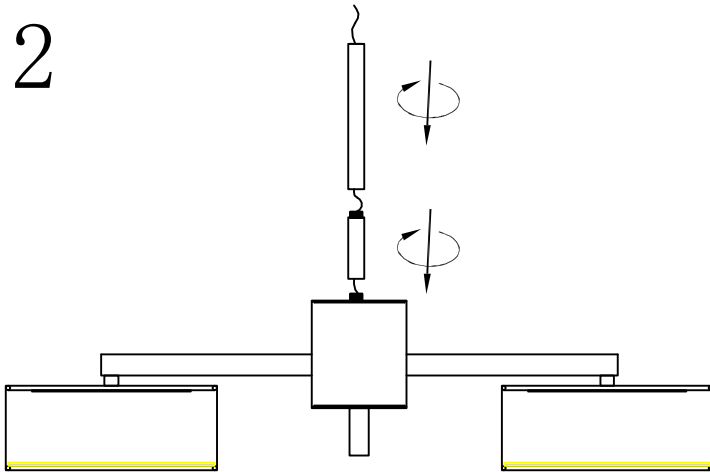


Wire connection

B-Black wire (L) from junction box  
C-White wire (N) from junction box  
D-Green wire/bare copper (G)  
from junction box  
E-Black wire (L) from fixture  
F-White wire (N) from fixture  
G-Green wire/Bare copper from fixture  
H-wire connector x 3

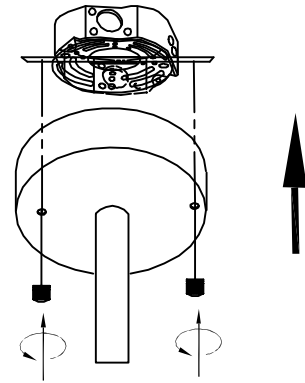
Connect wires

2



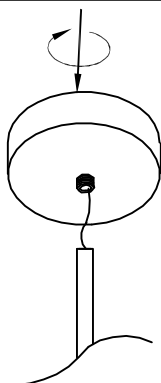
install the hanging rod

6



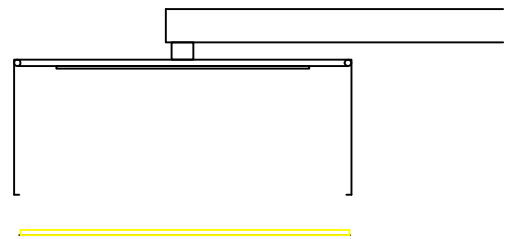
rise and install canopy  
to Mounting bracket

3



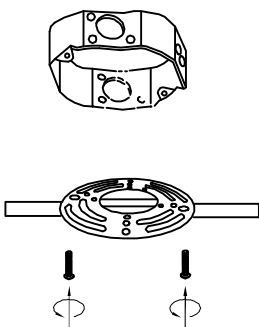
install the canopy to fixture

7



install diffuser plate to  
the lampshade ,

4



install mounting bracket

