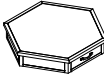


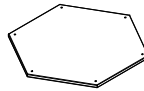


ASSEMBLY INSTRUCTION

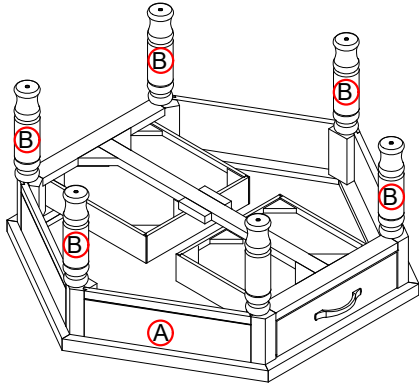
MODEL: # FSH2406

Thank you for purchasing this quality product. Be sure to check all packing material carefully for small parts which may have come loose inside the carton during shipment. Separate, identify and count all parts and metal hardware. Compare with parts list to be sure all parts are present. If any part(s) are missing or damaged, please contact your local furniture dealer. For efficient and speedy service, please indicate the model number and code letter of part(s) needed.

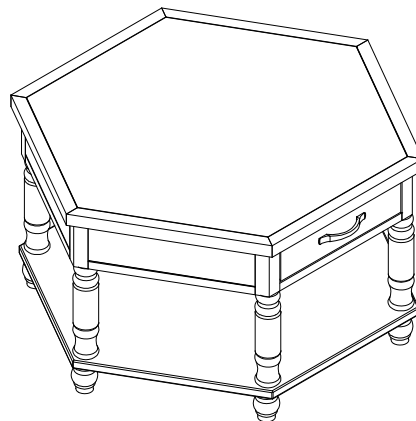
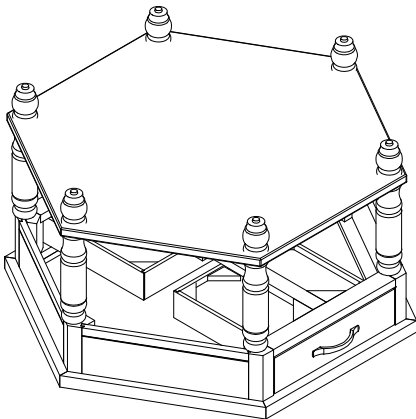
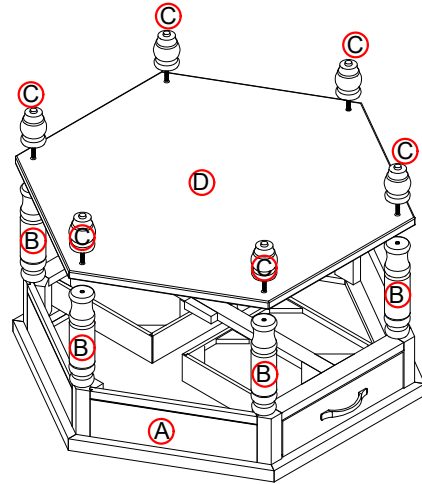
*** Do not fully tighten screws until fully assembled ***

No.	COMPONENT LIST		Q'ty	No.	COMPONENT LIST		Q'ty
(A)		TABLE FRAME	1pc	(B)		UPPER LEG	6pcs
(C)		BASE LEG	6pcs	(D)		SHELF	1pc

Step 1: Align and place Upper Leg (B) into Table Frame (A). Use the Hands round clockwise to fully tighten.



Step 2: Align and place Shelf (D) and Base leg (C) connect with leg (B). Use hands round clockwise to fully tighten.



FINISH .
THANK YOU !