

Assembly Instructions

Product Dimensions:
18.90"L×15.75"D×34.25"H

Please take a moment to read through the entire instruction booklet before assembly to familiarize yourself with this product. Once you feel ready to start, follow the instructions step by step and this should make this process as easy as we could make it for you.

WARNING CAUTION

ADULT ASSEMBLY REQUIRED

CHOKING HAZARD

- This product includes small parts, sharp points and sharp edges in its unassembled state. Keep unassembled parts away from children under 3 years of age, and animals.

SAFETY WARNINGS

- Follow the information on the warnings appearing on table and on the carton. Do not remove warning label from cabinet.
- Do not allow children under 3 years of age to use the cabinet.
- Do not use substitute parts. Contact the manufacturer or dealer for replacement parts.

FURNITURE TIP-OVER HAZARD

Children have died from furniture tip-over

To reduce the risk of furniture tip-over:

- ALWAYS install tip-over restraint especially if used by a wall or in the open.
- NEVER put a TV on this product
- NEVER allow children to stand, climb or hang on drawers, doors, or shelves.
- NEVER open more than one drawer at a time.
- ALWAYS place heaviest items in lowest cabinet.

PARENTAL SUPERVISION IS REQUIRED

- Parents or Guardians should supervise use under the intended age specifically regarding children that may have access to it and climb on the unit.
- Do not allow horseplay on, under, or behind the unit and prohibit jumping on the cabinet.
- If used improperly, your table may be pulled over or fall, creating risk of injury or damage. Children should not be permitted to climb or pull on the cabinet.

USE, MAINTENANCE & ASSEMBLY

- Periodically check and ensure that the components are in their proper position, free from damage, and that all connectors are tight.
- Use on level surfaces only. Assemble on a soft level surface to avoid damage to unit or floor.
- Do not use this item if any components are missing or damaged.
- Do not use substitute parts. Contact the manufacturer or dealer for replacement parts.
- Only clean using damp cloth and mild detergent, do not use bleach or abrasive cleaners.
- Check you have all components and tools listed on page 4
- Do not stand or put weight on this product during assembly, this could cause damage.
- Remove all hardware from the plastic bags and separate them into groups.
- Assemble the item as close to its final position (in the same room) as possible.
- Certain assembly steps may be easier with 2 people.
- Dispose of all packaging carefully and responsibly.
- We do not recommend power screwdrivers. Only use hand screwdrivers to prevent damage to unit.
- Keep these instructions for future reference.

Enfants morts suite au basculement d'un meuble.

Afin de limiter le risque de basculement de meuble:

- TOUJOURS utiliser les fixations anti-basculement.
- NE JAMAIS installer de TV sur ce produit.
- NE JAMAIS laisser d'enfants se tenir debout sur les tiroirs, portes ou étagères, y grimper ou s'y suspendre.
- NE JAMAIS ouvrir plus d'un tiroir à la fois.
- TOUJOURS placer les choses les plus lourdes dans les tiroirs du bas.

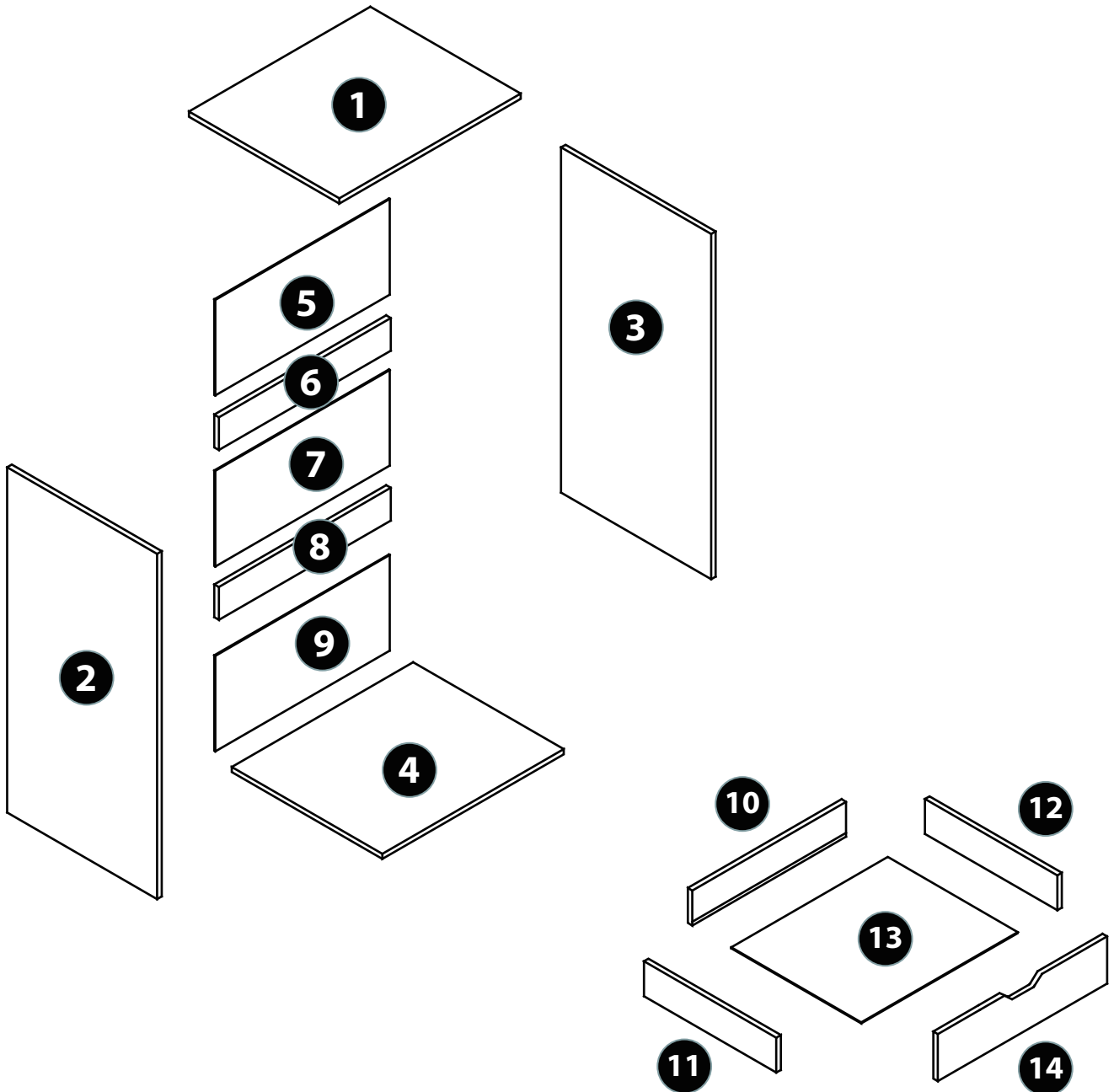
Han muerto niños por el vuelco de muebles.

Para limitar el riesgo de vuelco de los muebles:

- Utilizar SIEMPRE las fijaciones antivuelco que suministran.
- NUNCA instalar un TV sobre este producto.
- NUNCA permitir que los niños se pongan de pie, trepen o se cuelguen de los cajones, puertas o baldas.
- NUNCA abrir más de un cajón a la vez.
- Colocar los objetos más pesados en los cajones inferiores.

ASSEMBLY AT A GLANCE

Please take a moment to read through the whole instruction booklet before assembly to familiarize yourself with this product. Once you feel ready to start, follow the instructions step by step and this should make this process as easy as we could make it for you.

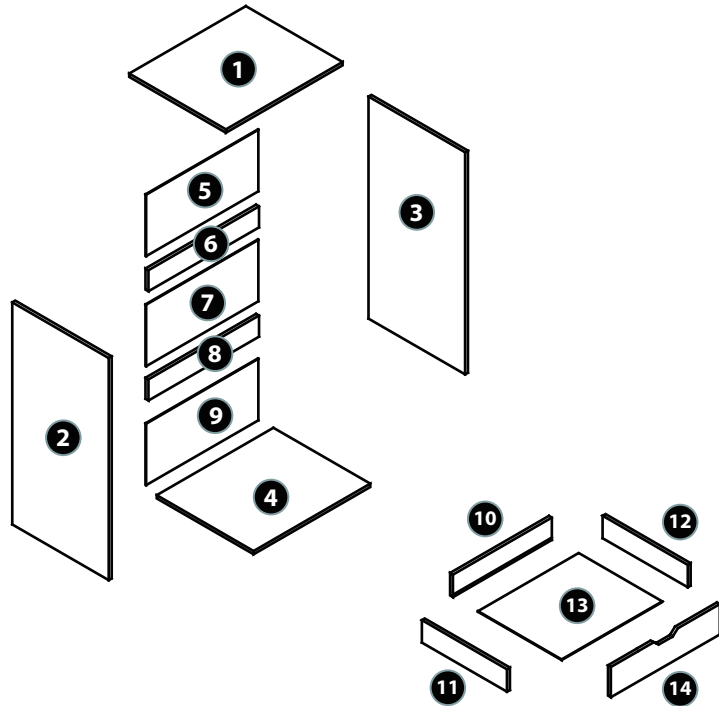


This drawing is to give you an overall idea only of how this assembly will go together and does not replace the assembly instructions.

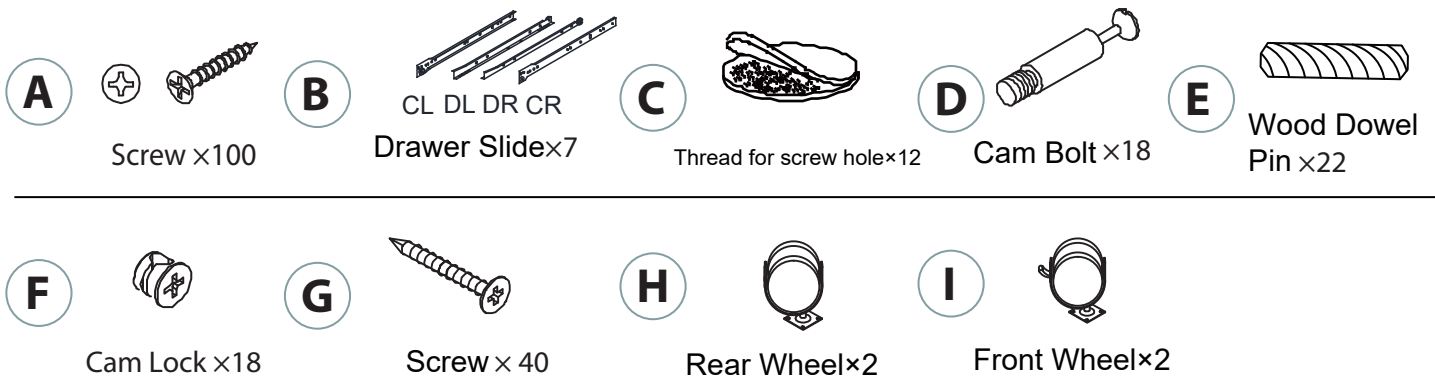
COMPONENT PARTS

Please check that you have all the parts listed below

1. Top Panel x1
2. Left Side Panel x1
3. Right Side Panel x1
4. Bottom Panel x1
5. First Back Side Panel x1
6. Second Back Side Panel x1
7. Third Back Side Panel x1
8. Fourth Back Side Panel x1
9. Fifth Back Side Panel x1
10. Drawer Back x7
11. Drawer Left x7
12. Drawer Right x7
13. Drawer Bottom x7
14. Drawer Front x7



ASSEMBLY HARDWARE



Tools Required



Phillips Screwdriver
(Medium) (not included)

***Do Not Use Power
Screwdriver or Drill.**

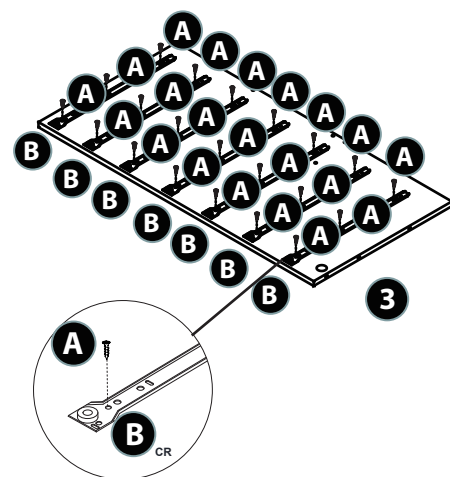
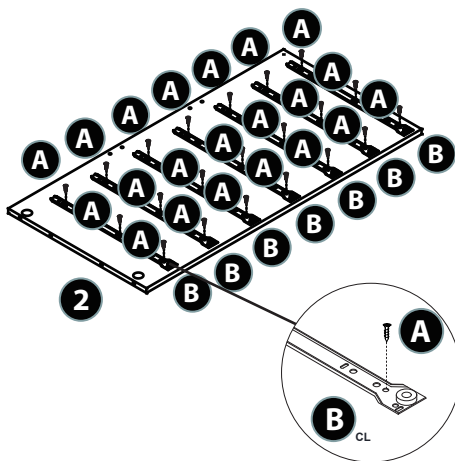


Hex Screwdriver
(included)

ASSEMBLY INSTRUCTIONS

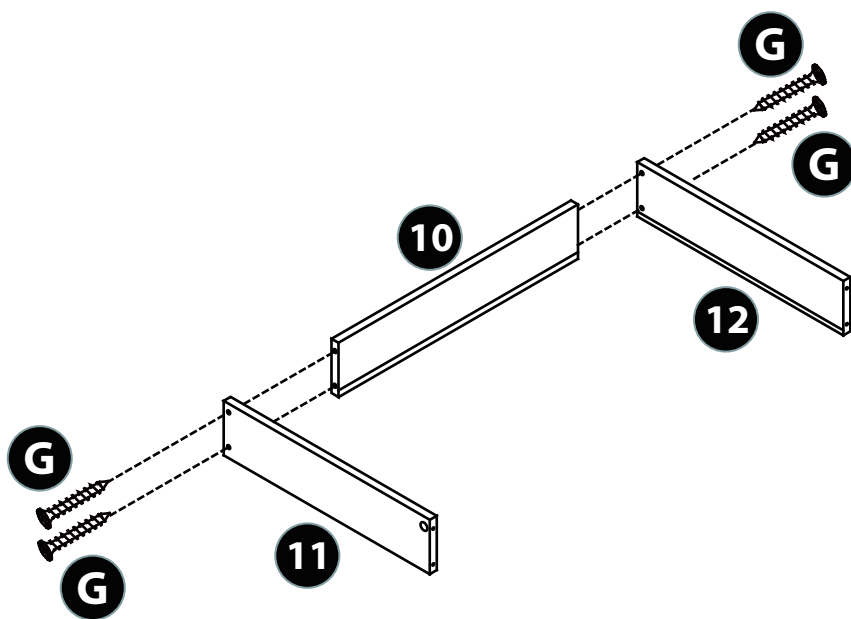
1

Select A×42 and 2×1, 3×1. Position 2 in the left, position 3 in the right. Insert A×7 into the one side of the B CL, other A×7 into the middle of the B CL, other A×7 into the other side of the B CL. Insert B CL×7 into the 2. Repeat the steps for B CR and the 3.



2

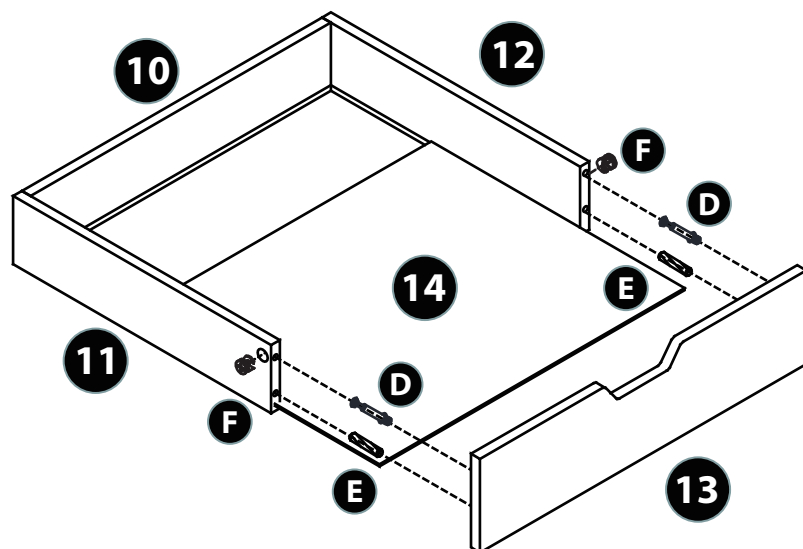
Select 10×7, 11×7, 12×7, and G×28. Insert G×2 into the hole of the 11 into the 10. Repeat the steps for 10 and 12. Repeat the steps for another Drawer panels×6.



ASSEMBLY INSTRUCTIONS

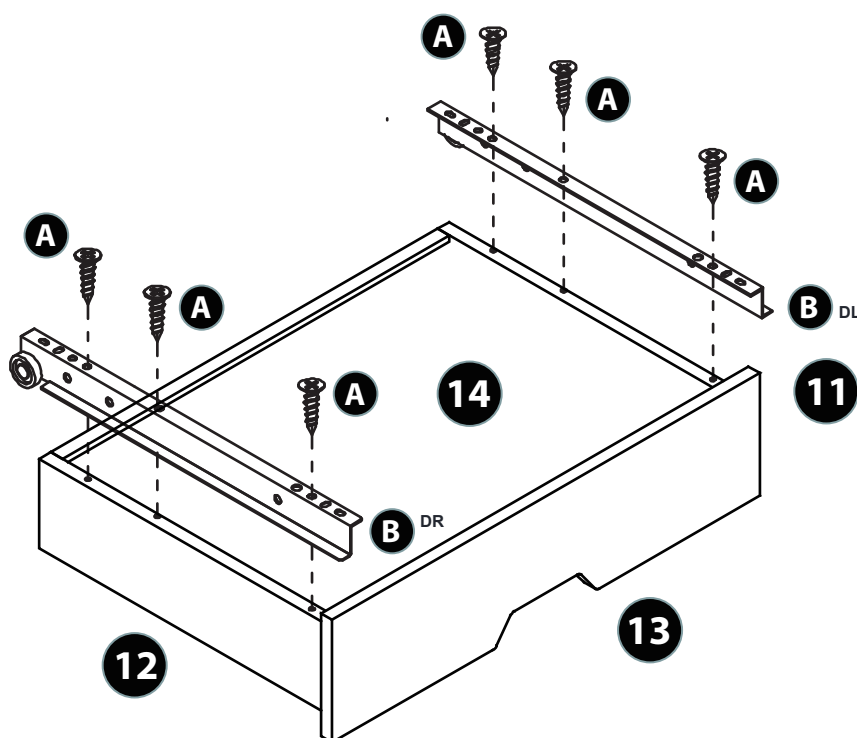
3

Select 13×7, 14×7, D×14, E×14, F×14. Install the 14 along the grooves on the both sides of the 11 and 12. Install the 13 on the 11 with the D, E and F. Repeat the steps for the 13 and the 12. Repeat for another Drawer×6.



4

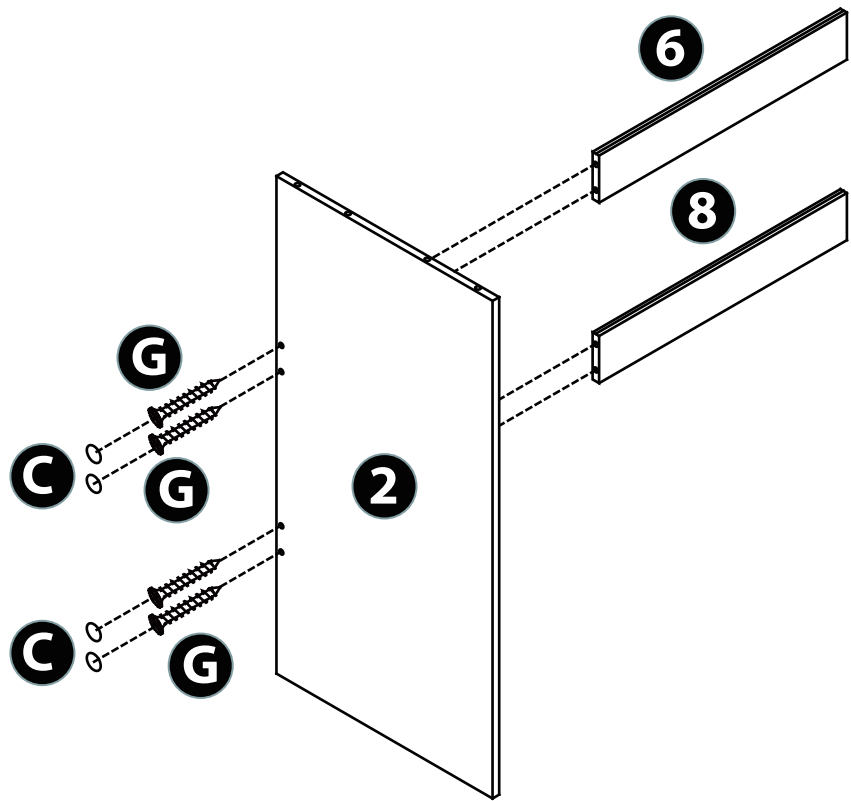
Select A × 42, B DR × 7, B DL × 7. Put the Drawer upside down. Insert A×3 into the B DR into the 12 tightly. Repeat the steps for the 11. Repeat the steps for another Drawer × 6.



ASSEMBLY INSTRUCTIONS

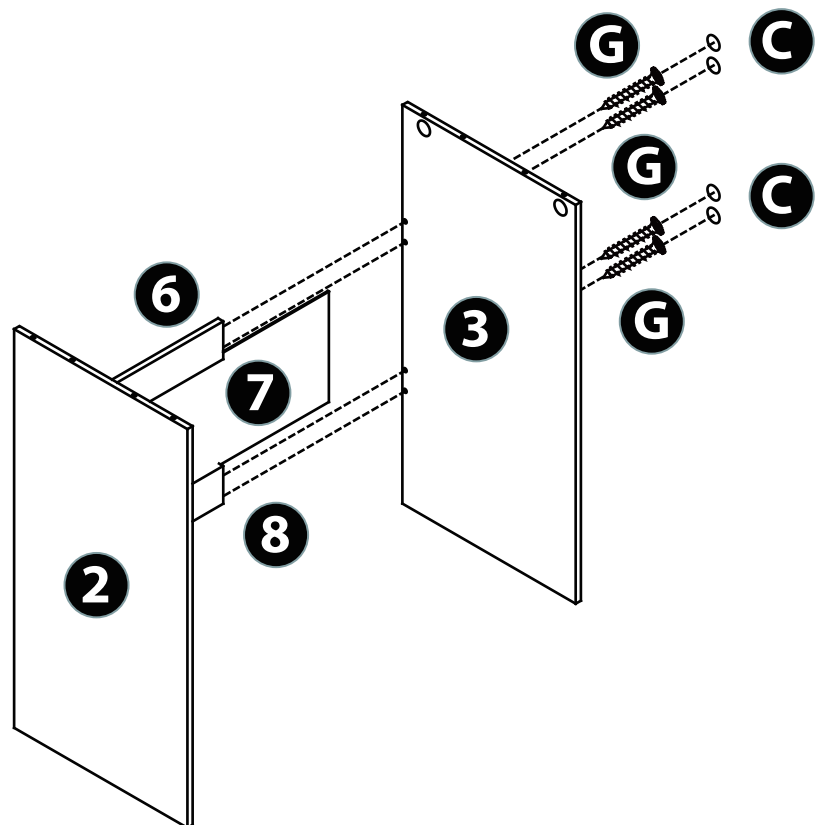
5

Select 2,6,8,Gx4, Jx4. Insert Gx2 into the 2 into the one-sides of the 6 with the Jx2. Repeat for the 2 and the 8.



6

Select 2,3,6,7,8,Ex4,Gx4,Jx4. Install the 7 along the grooves of the 6 and 8. Insert the 3 into the 6 and 8 with the Gx4,Jx4.

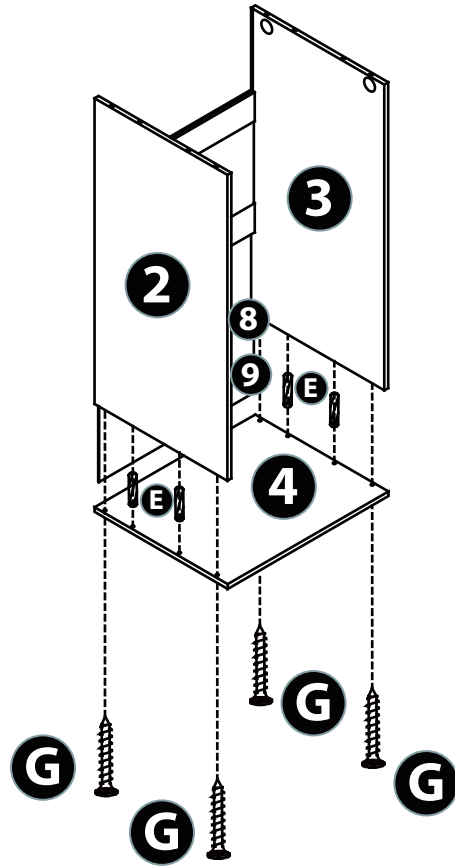


ASSEMBLY INSTRUCTIONS

7

Select 9,4, E×4,G×4.

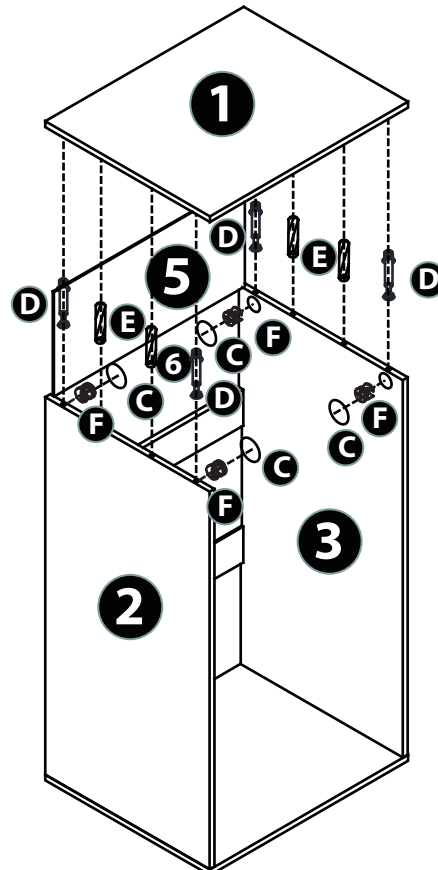
Install the 9 along the grooves of the 8. Insert one side of the 4 into the 2 with E×2,G×2.Repeat for the other side of the 4 and the 3.



8

Select 1,5,D×4,E×4,F×4,J×4.

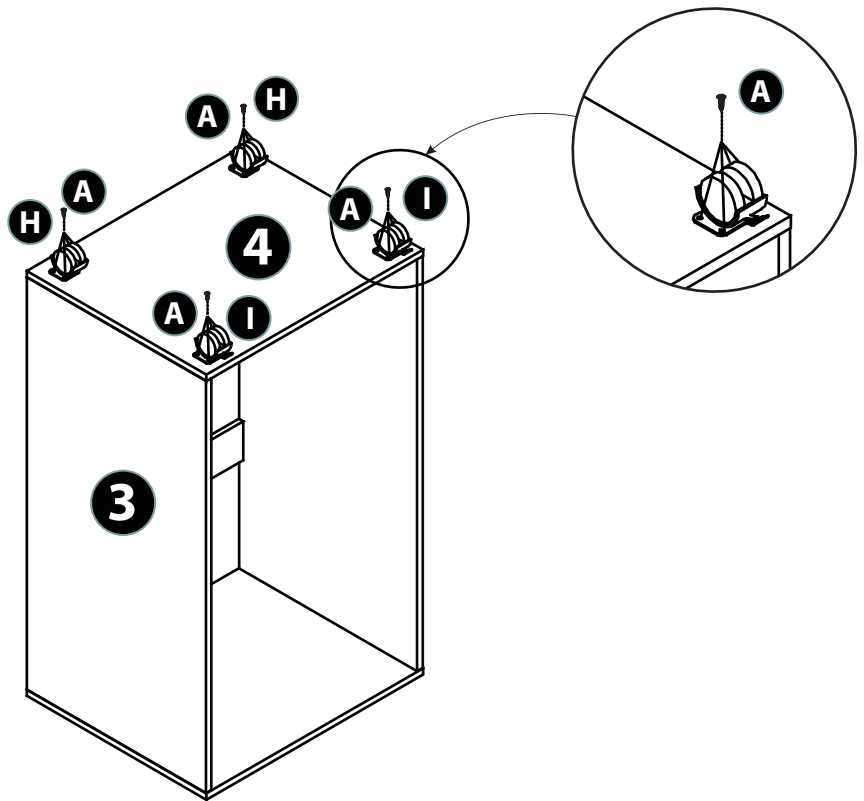
Install the 5 along the groove of the 6.Instert one side of the 1 into the 2 with the D×2,E×2,F×2,J×2. Repeat for the 1 and the 3.



ASSEMBLY INSTRUCTIONS

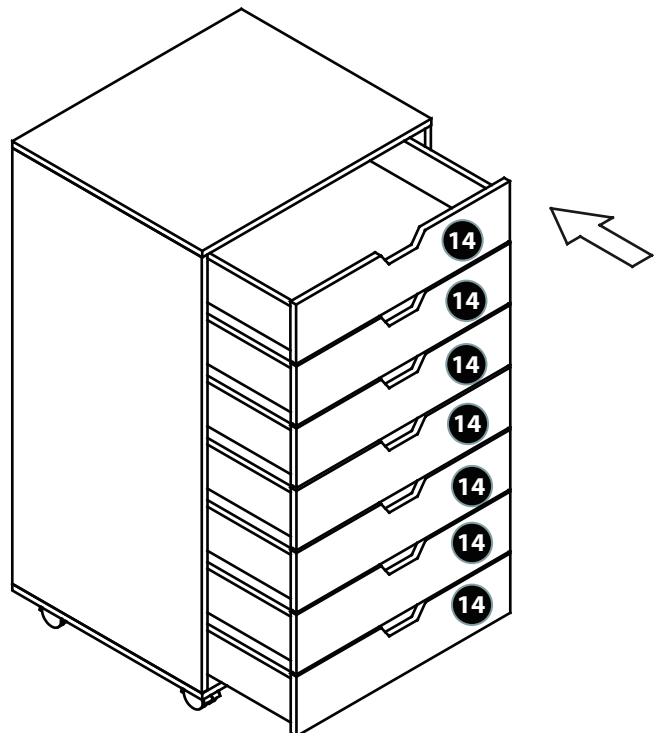
9

Select 4x1, Hx2, Ix2, the Ax16.
Put the cabinet upside down, insert the Hx2 into the 4 with the Ax8 tightly. Repeat for the Ix2.

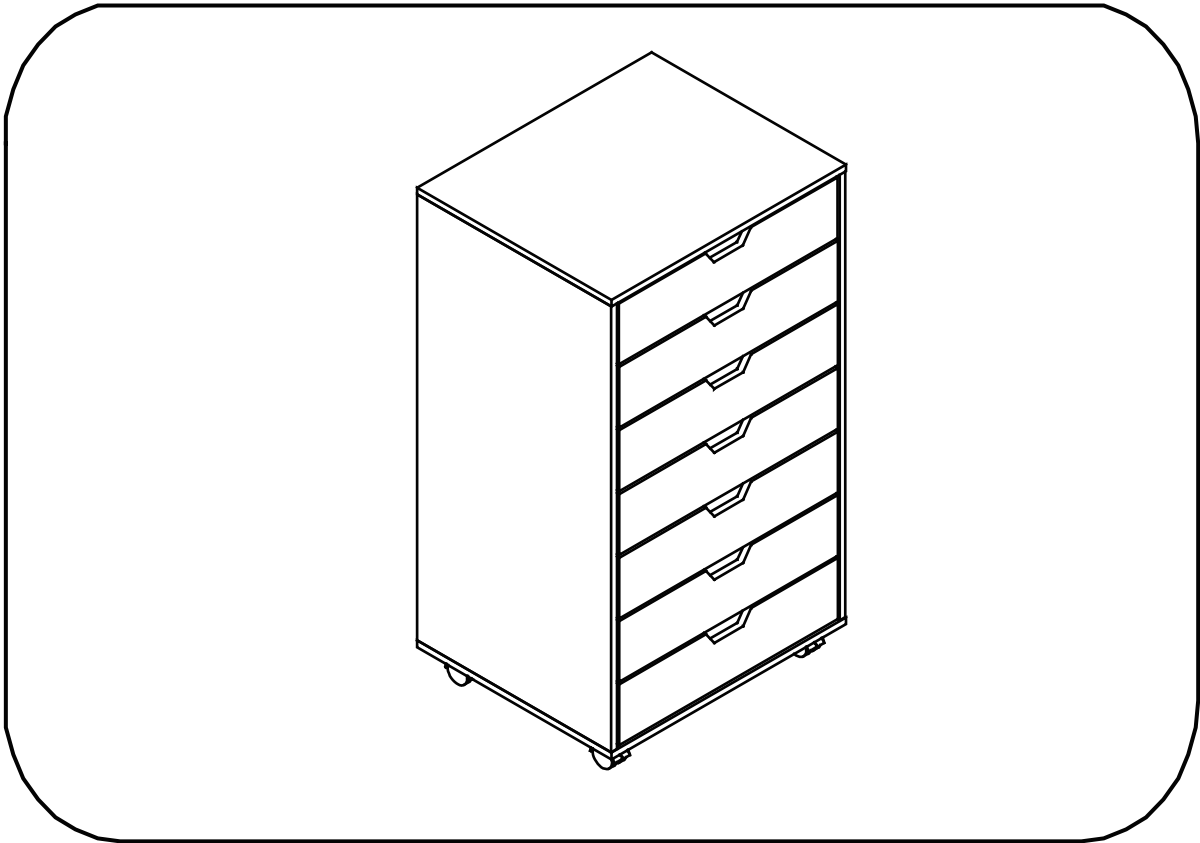


10

Put the Drawers x7 into the Cabinet.



ASSEMBLY COMPLETE



**CONGRATULATIONS, YOUR
CABINET IS COMPLETE!**

Product Packaging Information

Model #: _____

Color: _____

Shipment Ref. #: _____

Date: _____