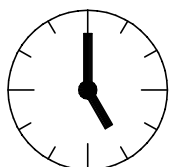
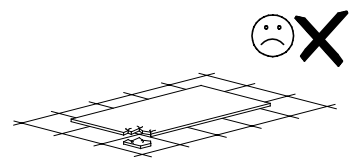
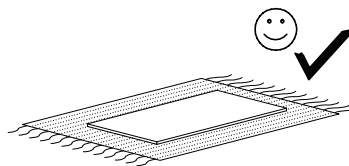
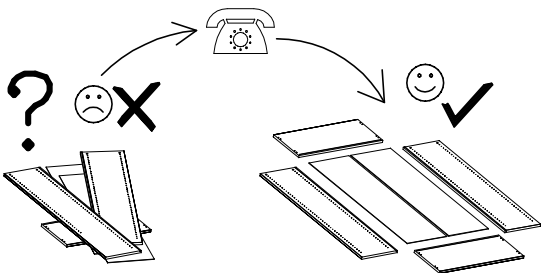
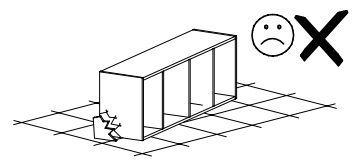
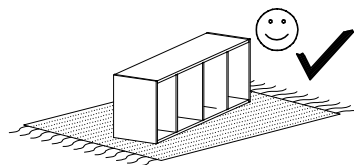
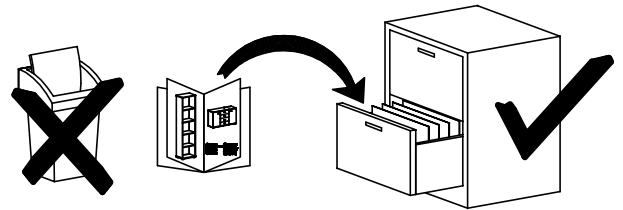
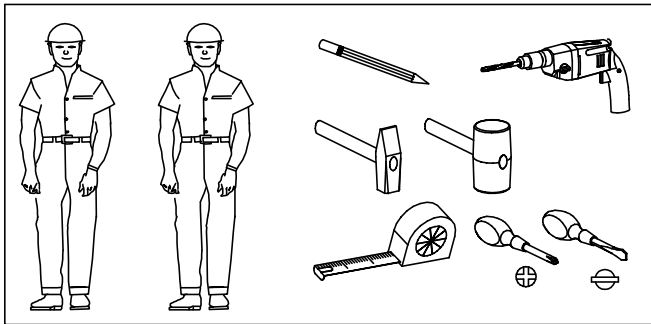
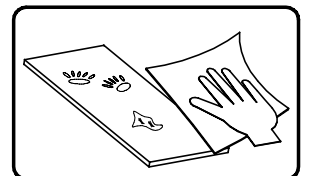
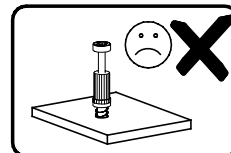
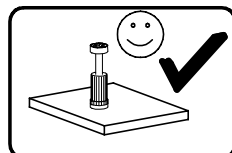


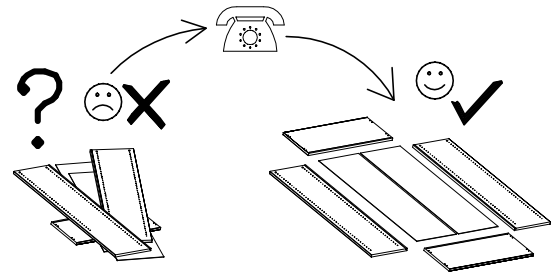
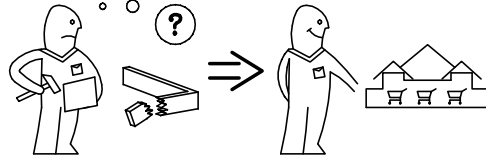
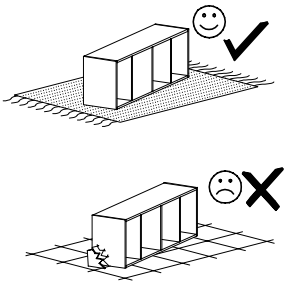
# INSTALLATION & ASSEMBLY

---

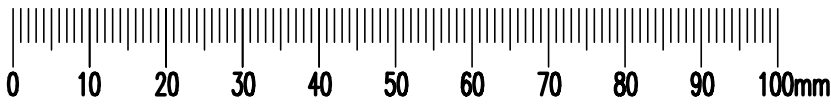
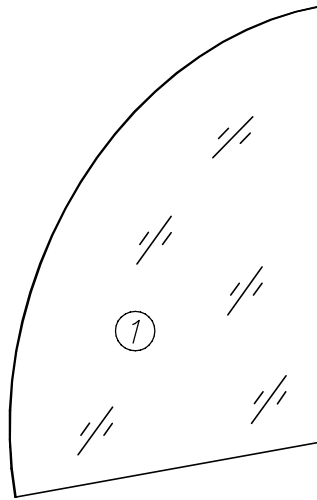


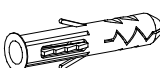


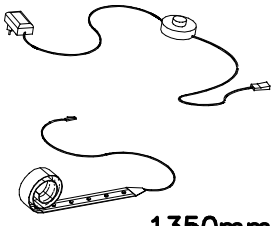

0,5h





nr	L[mm]	B[mm]	T[mm]	Menge	Colli
1	920	770	19	1	1/2



U8  ø10x60 x...(2)	U7S  x...(2)	W4  x...(2)	W10  1350mm x...(1)
		G46  6x8 x...(4)	



I

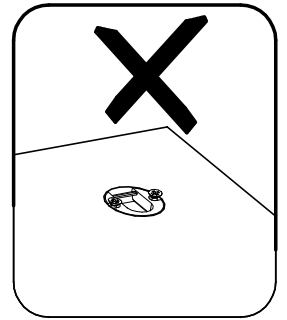
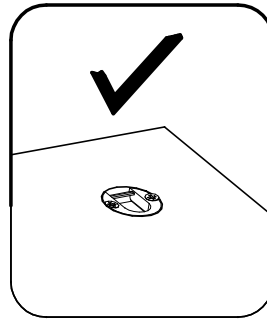
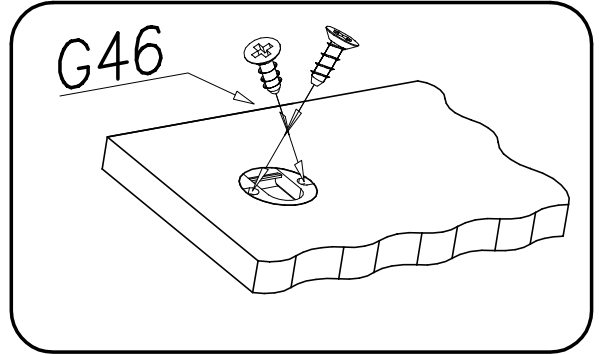
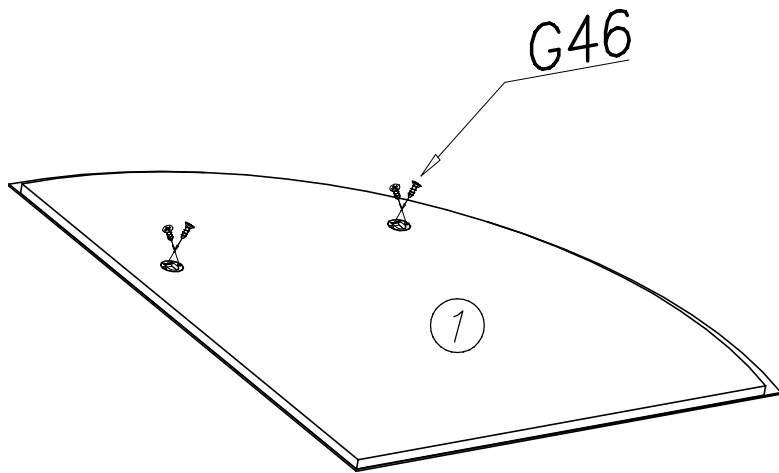


G46



6x8

x...(4)

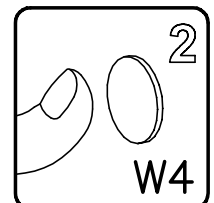
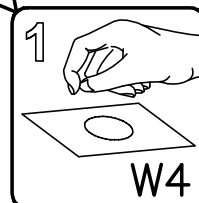
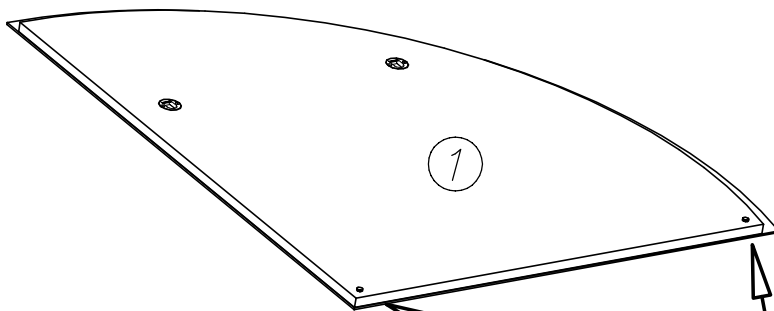


II

W4

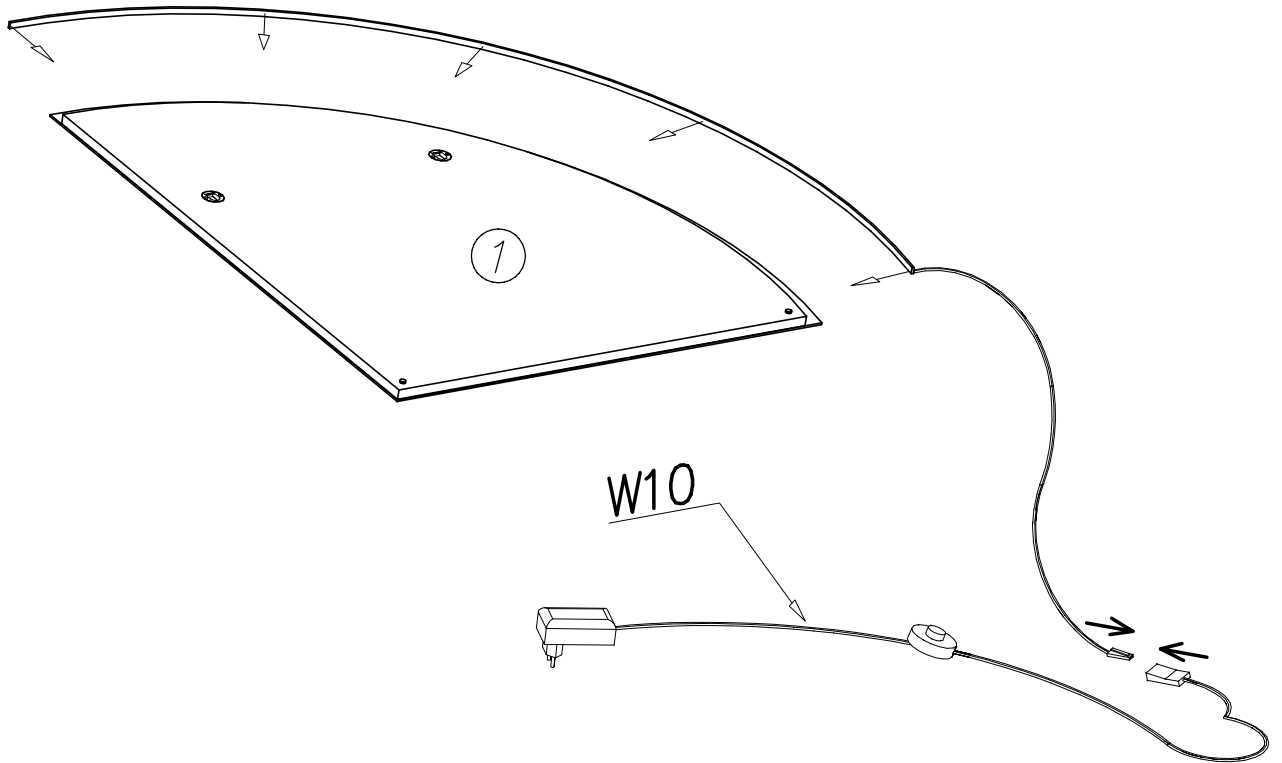
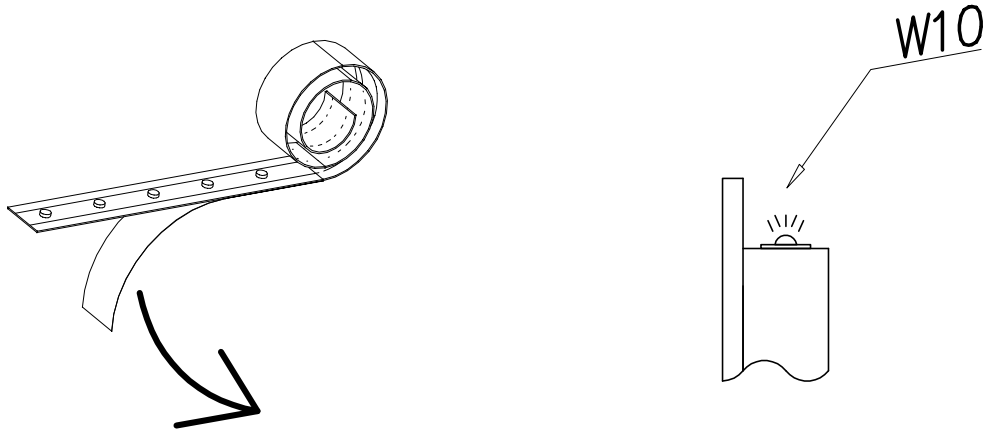


2x



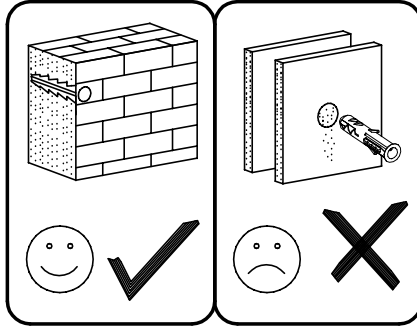


## III

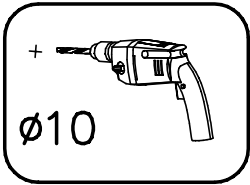




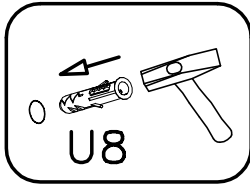
## IV



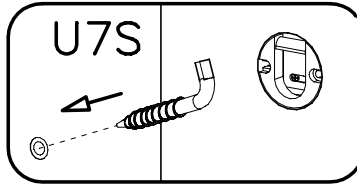
1



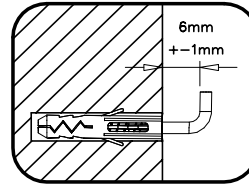
2



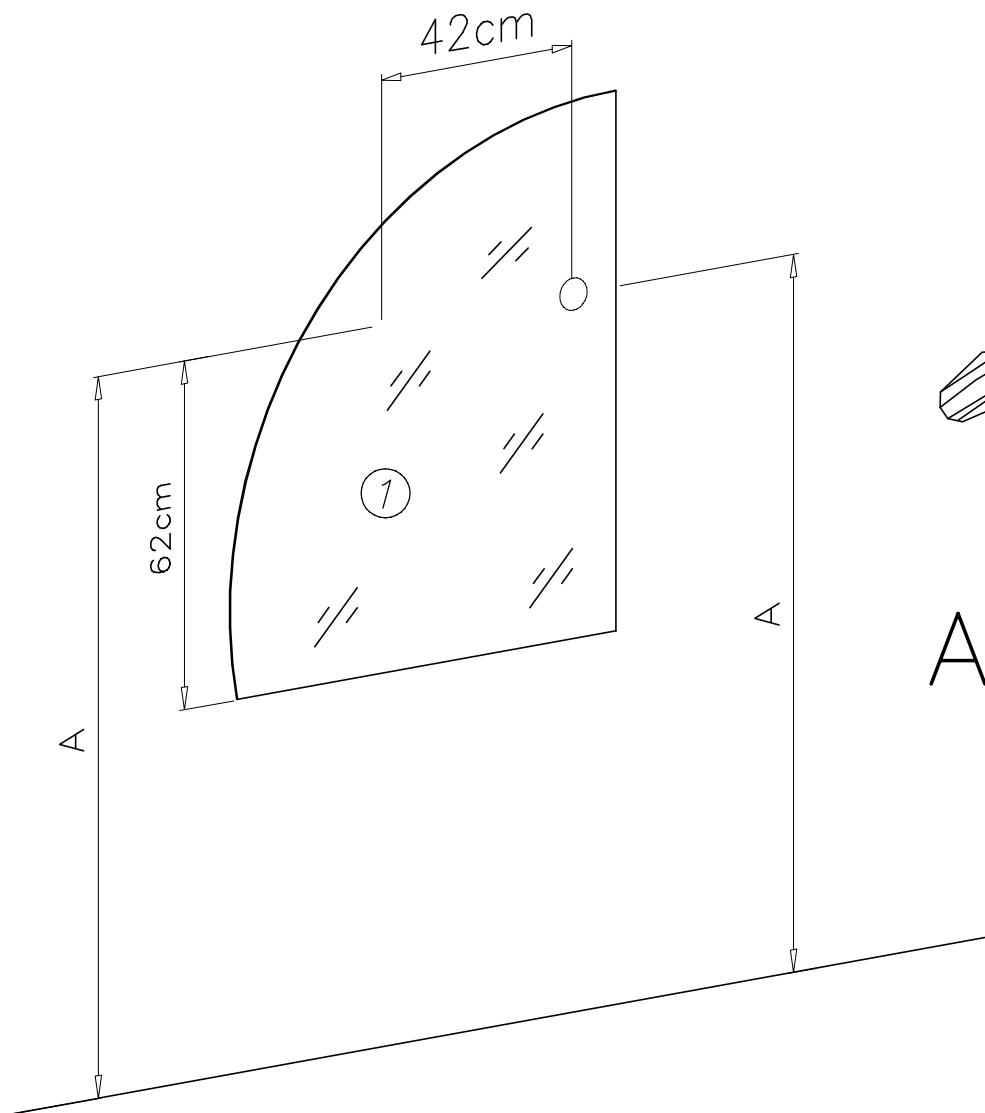
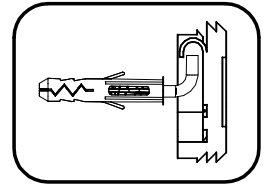
3



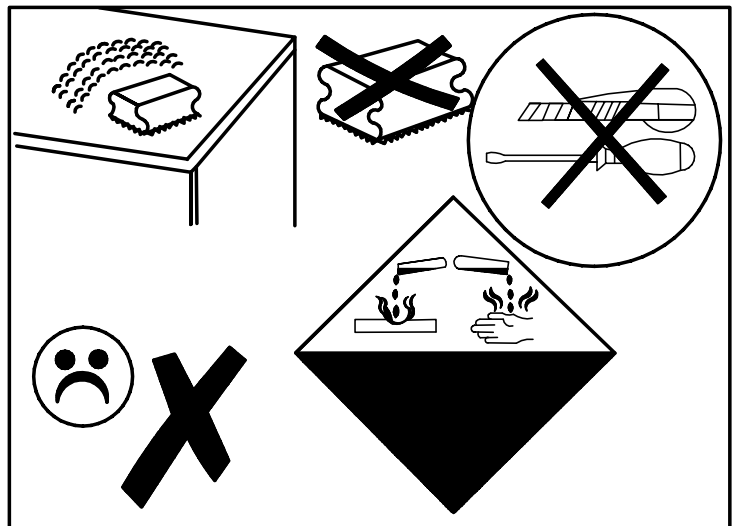
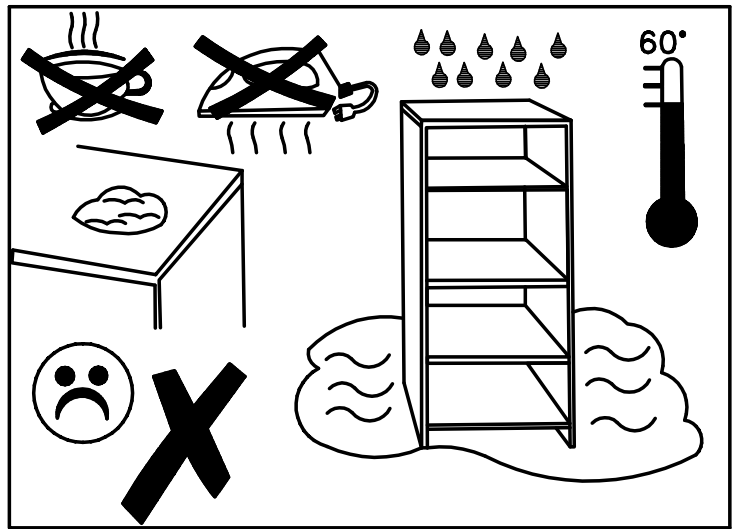
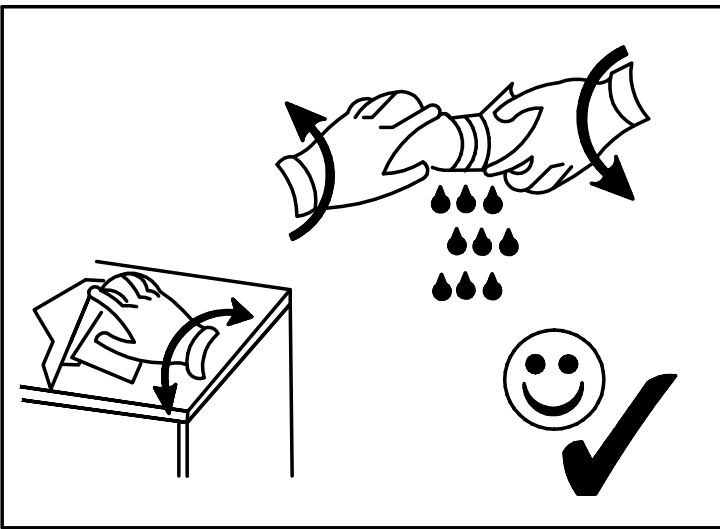
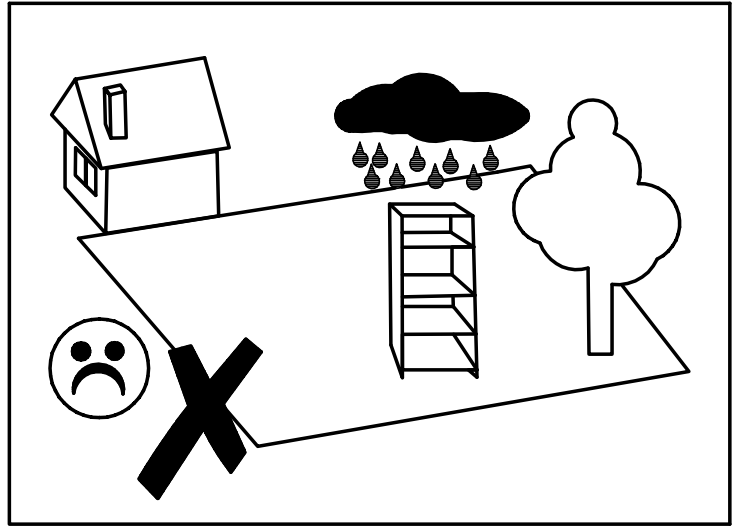
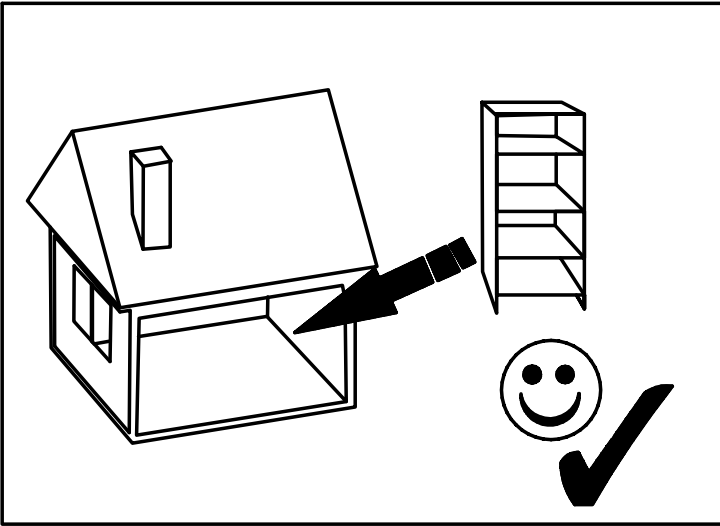
4



5

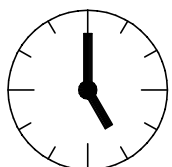
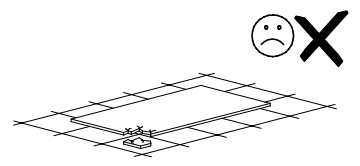
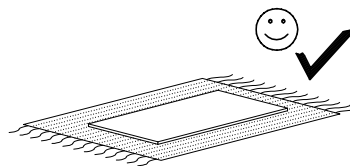
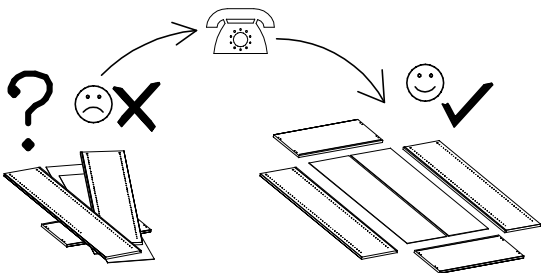
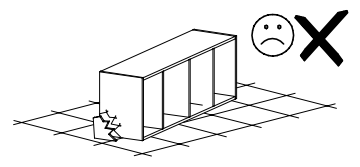
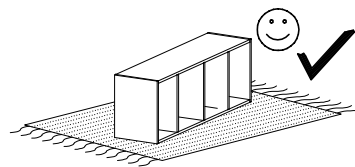
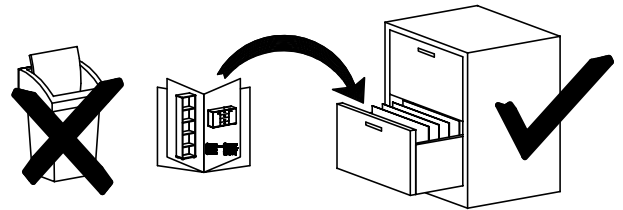
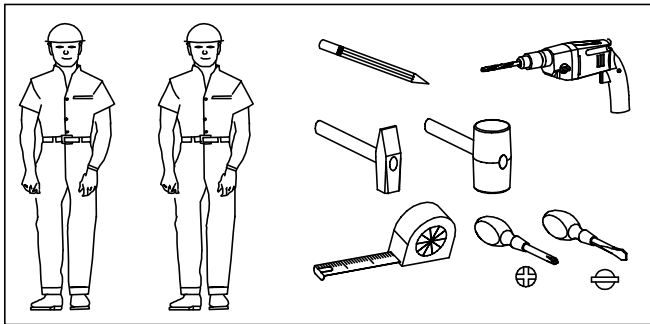


A = A

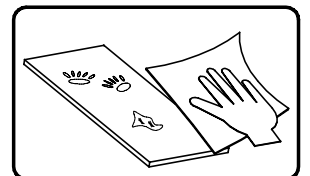
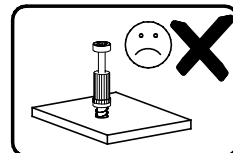
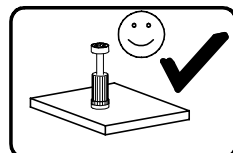


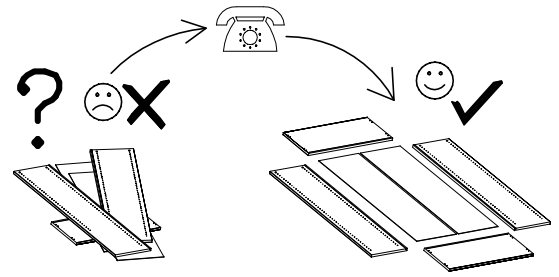
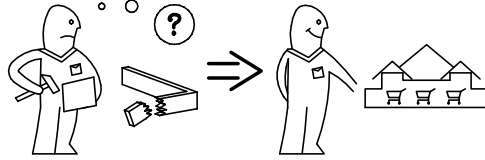
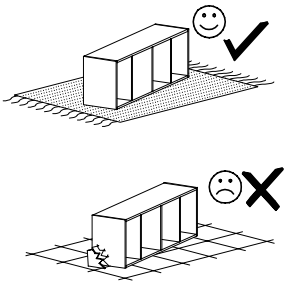
# INSTALLATION & ASSEMBLY

---

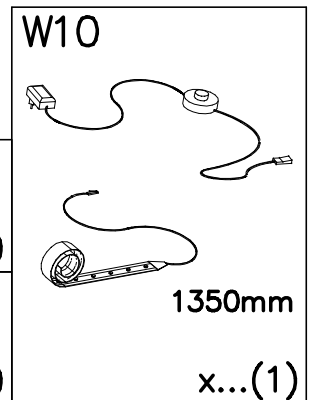
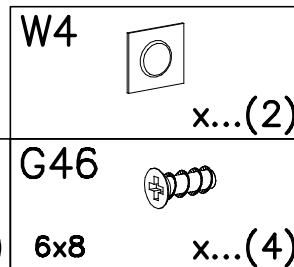
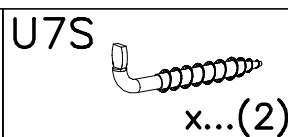
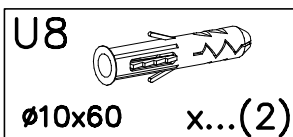
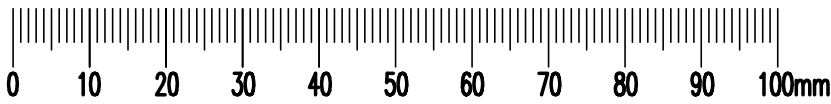
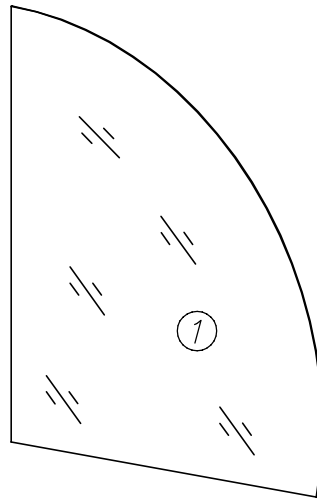


0,5h





nr	L[mm]	B[mm]	T[mm]	Menge	Colli
1	920	770	19	1	1/2





I

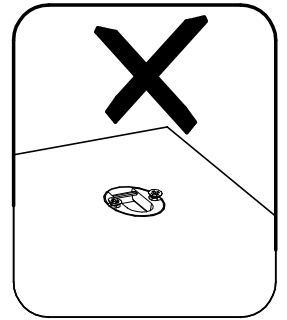
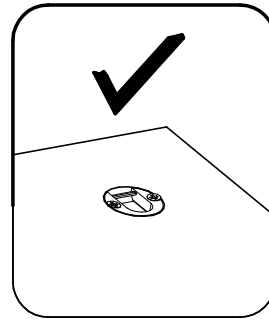
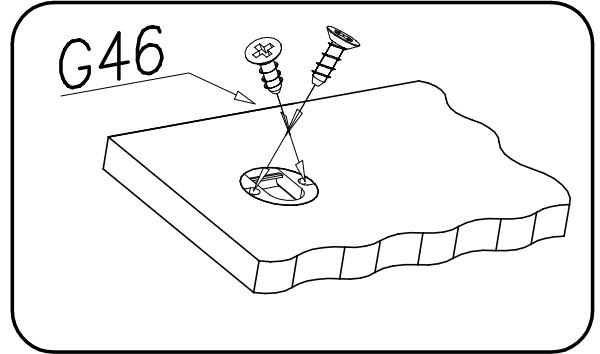
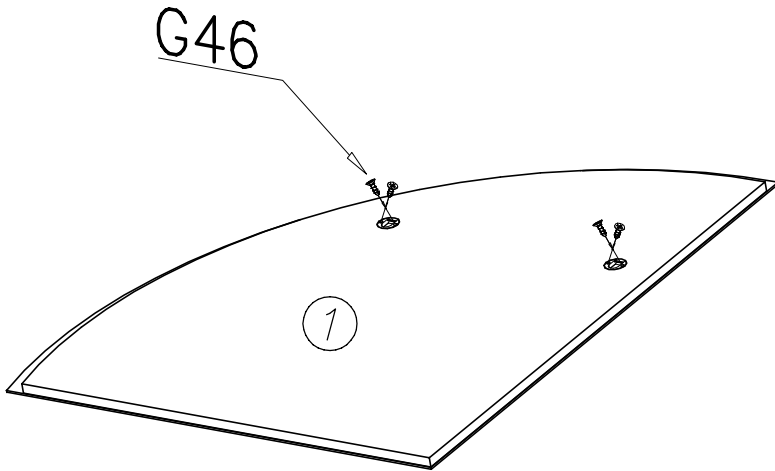


G46



6x8

x...(4)

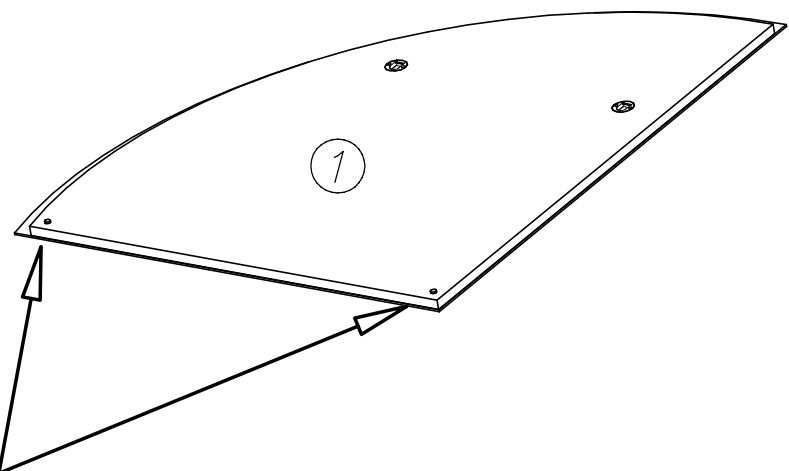
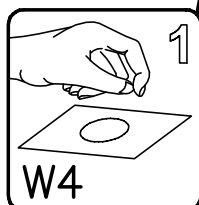
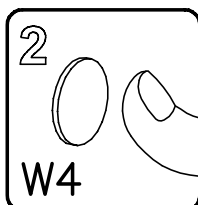


II

W4

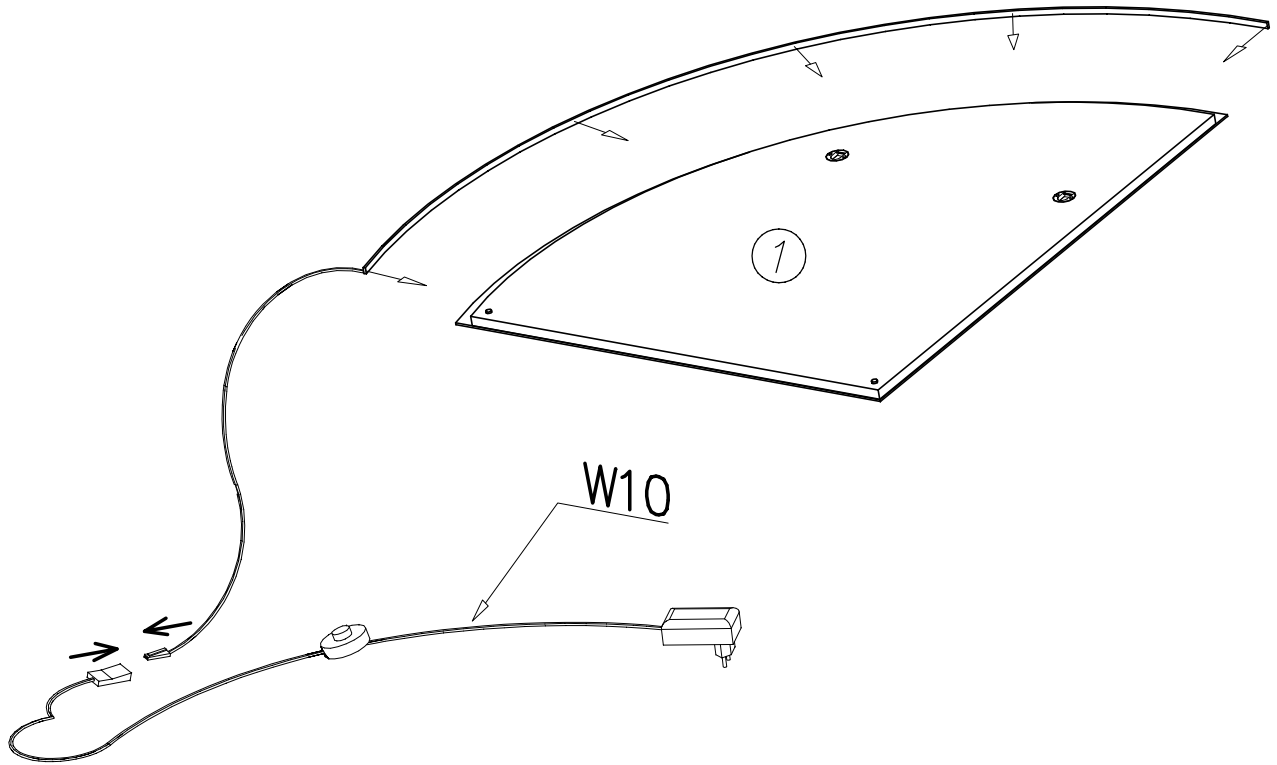
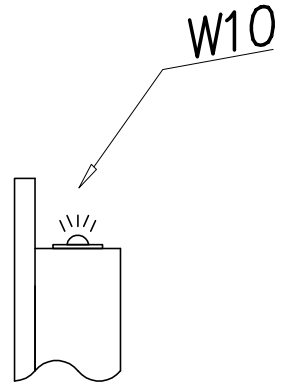
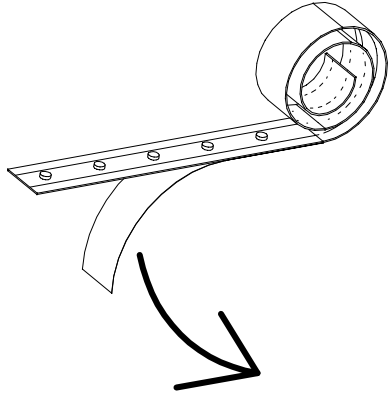


2x



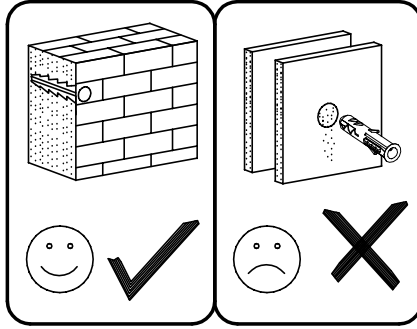


III

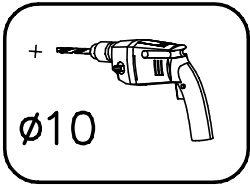




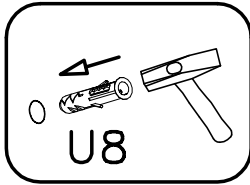
## IV



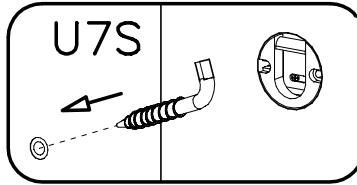
1



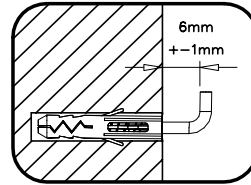
2



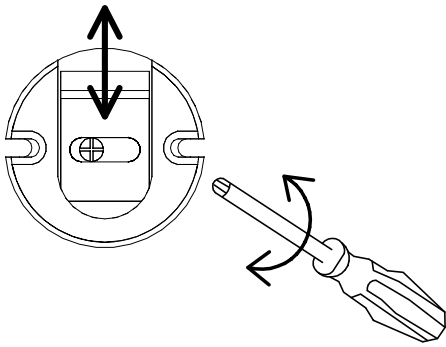
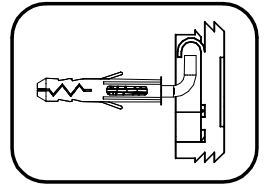
3



4



5



A = A

