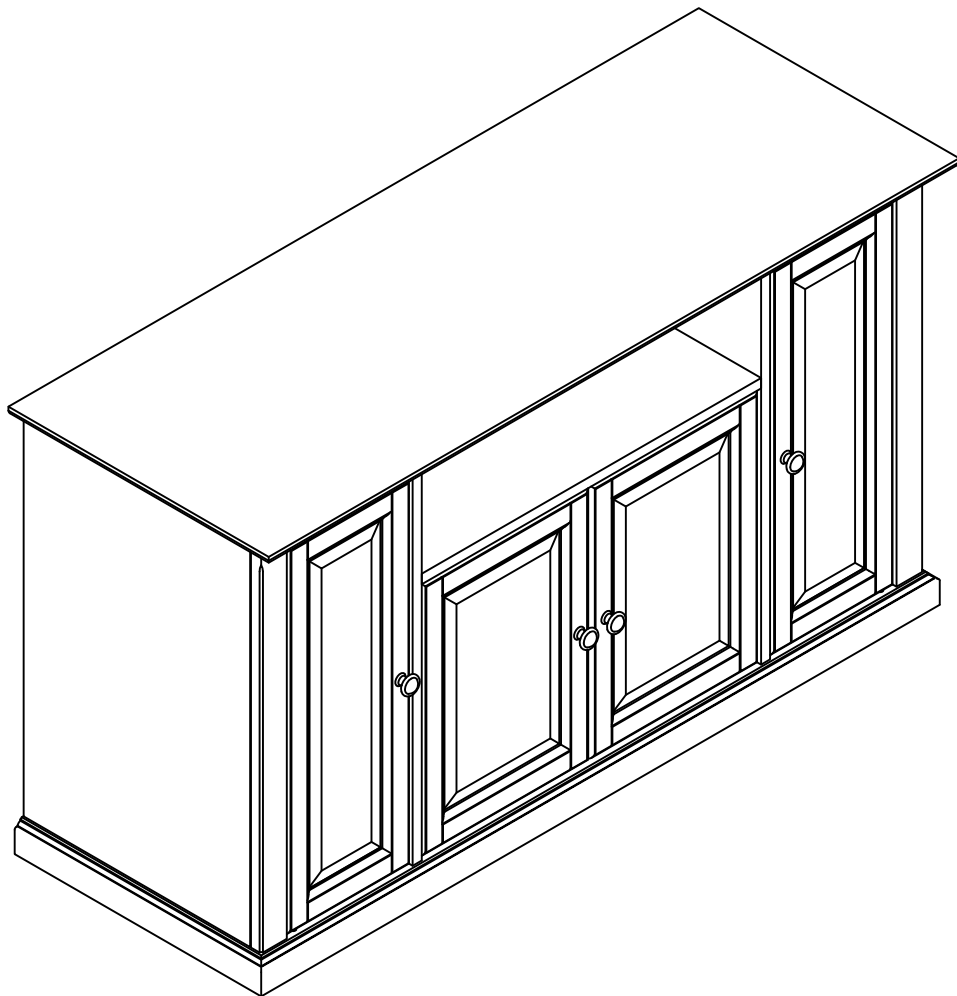


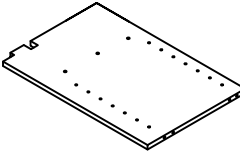
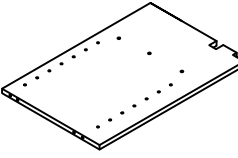
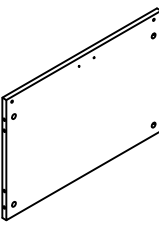
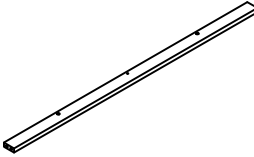
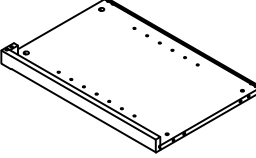
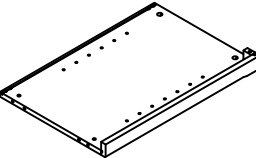
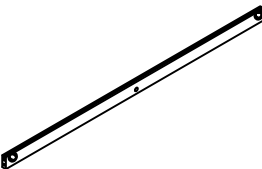

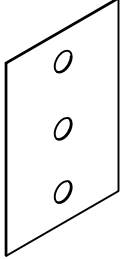

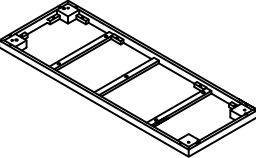
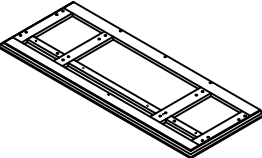
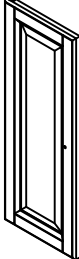
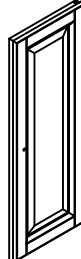
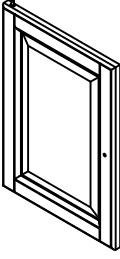
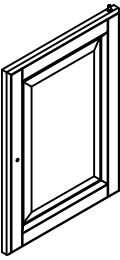
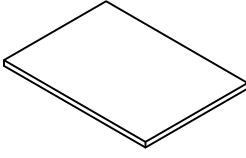
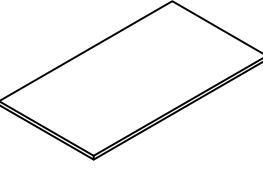
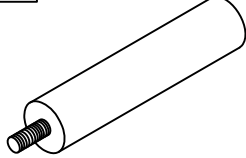
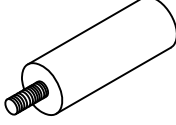
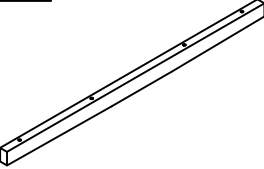
48" TV Stand Cabinet



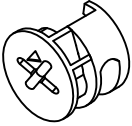
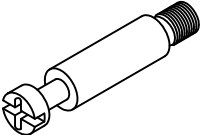
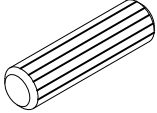


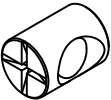


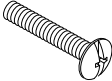
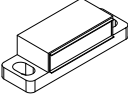
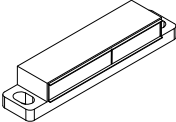
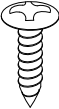
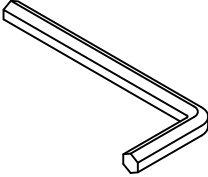
Congratulations! You have purchased a stylish piece
We strived to provide fine furniture products, built with quality materials and hand finished details. Please carefully follow the assembly instructions to ensure your furniture is assembled correctly to provide long lasting enjoyment.

Care: Use a soft clean cloth that will not scratch the surface when dusting. Use of furniture polish is not necessary. Should you choose to use polishes, test in an inconspicuous area first. Use of solvents of any kind may damage your furniture's finish. To clean, simply use a soft clean cloth moistened with lukewarm water, then buff with a dry soft clean cloth.

PART LIST

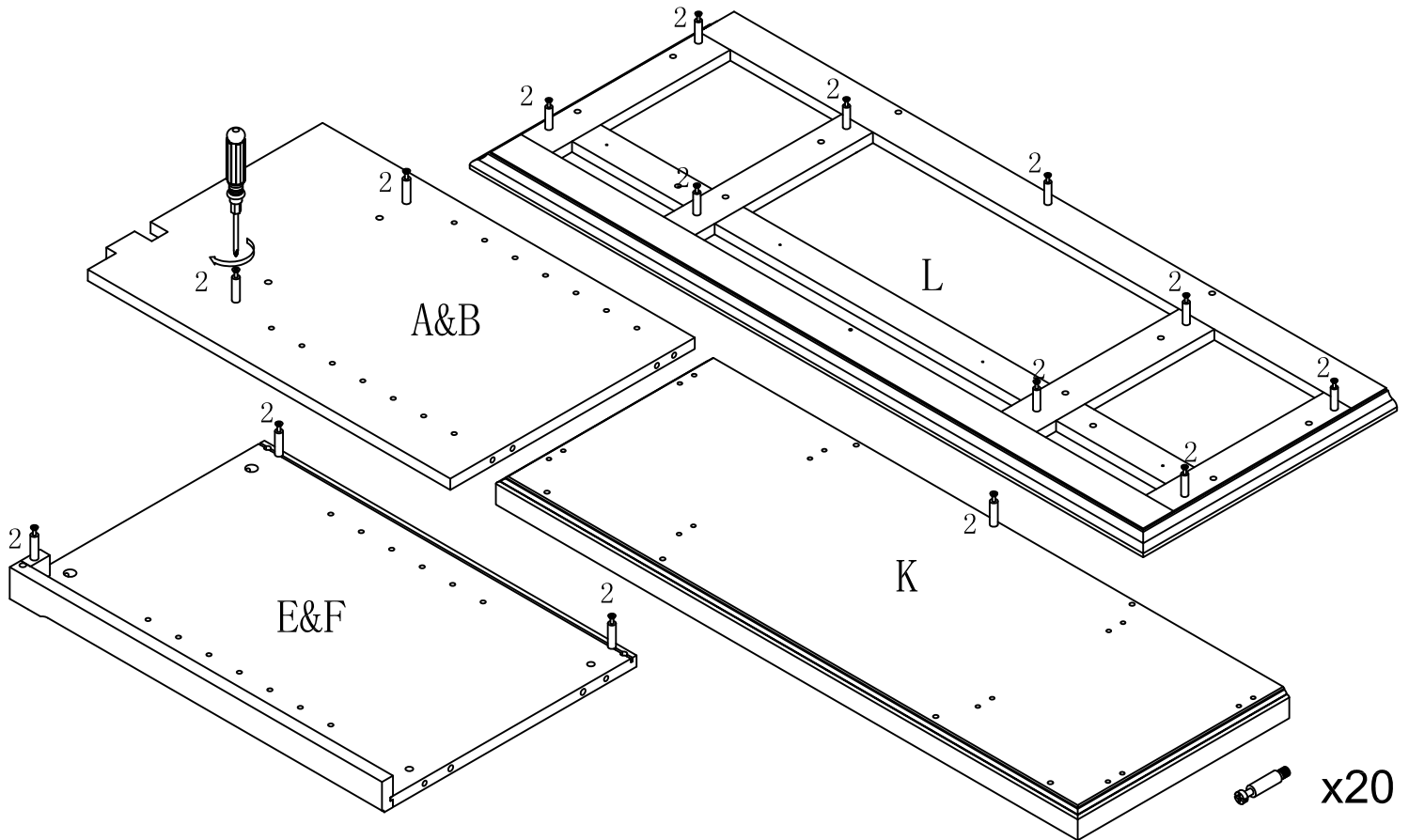
<p>A</p> 	<p>B</p> 	<p>C</p> 	<p>D</p> 	<p>E</p> 
<p>1 PC</p>	<p>1 PC</p>	<p>1 PC</p>	<p>1 PC</p>	<p>1 PC</p>
<p>F</p> 	<p>G</p> 	<p>H</p> 	<p>I</p> 	<p>J</p> 
<p>1 PC</p>	<p>2 PCS</p>	<p>2 PCS</p>	<p>1 PC</p>	<p>2 PCS</p>
<p>K</p> 	<p>L</p> 	<p>M</p> 	<p>N</p> 	<p>O</p> 
<p>1 PC</p>	<p>1 PC</p>	<p>1 PC</p>	<p>1 PC</p>	<p>1 PC</p>
<p>P</p> 	<p>Q</p> 	<p>R</p> 	<p>S</p> 	<p>T</p>  <p>For use only with Bun Foot</p>
<p>1 PC</p>	<p>4 PCS</p>	<p>1 PC</p>	<p>1 PC</p>	<p>1 PC</p>
<p>U</p> 				
<p>1 PC</p>				

HARDWARE LIST

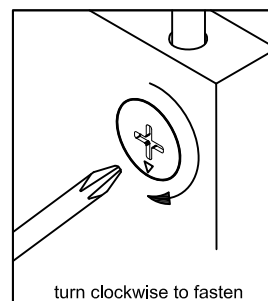
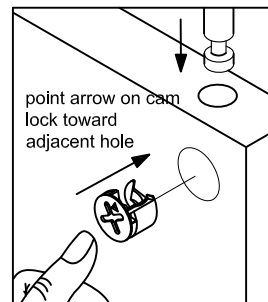
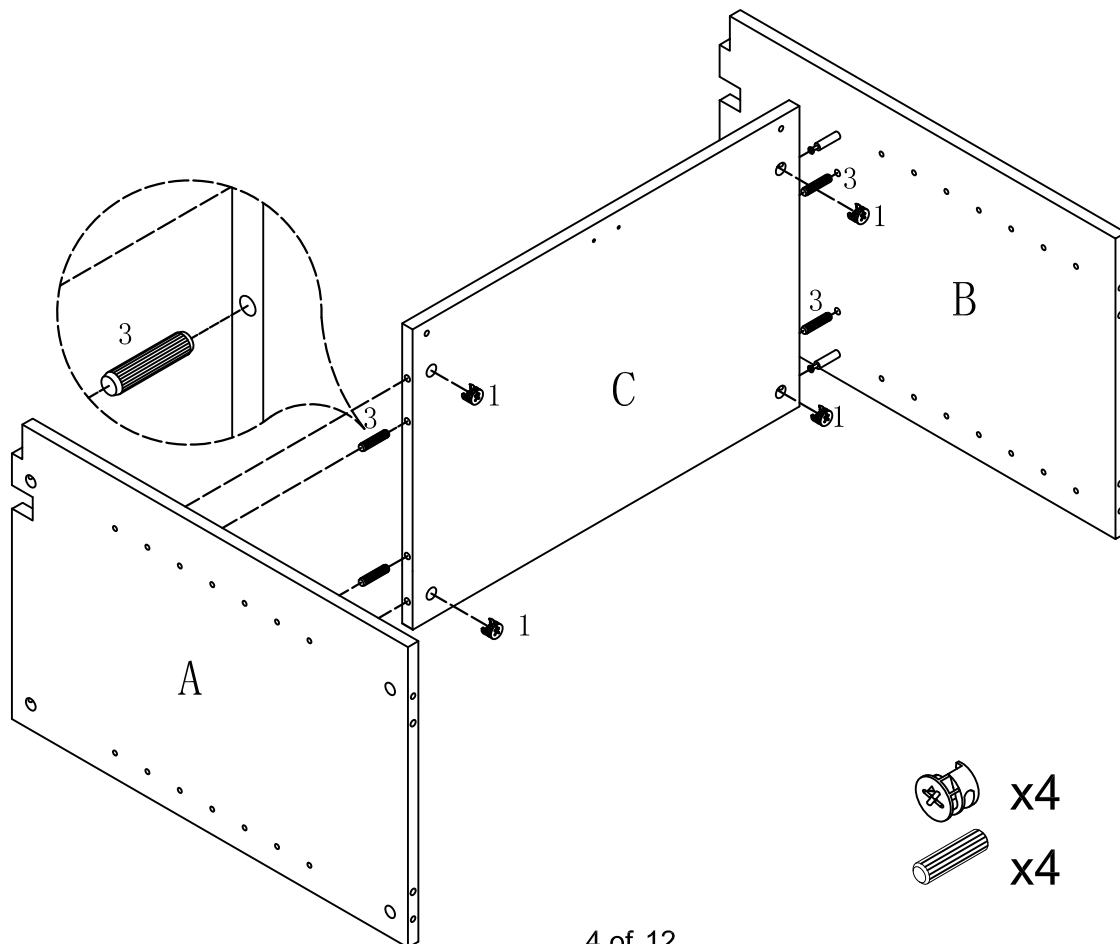
<div data-bbox="118 152 150 197" data-label="Text">1</div> 	<div data-bbox="400 152 432 197" data-label="Text">2</div> 	<div data-bbox="683 152 715 197" data-label="Text">3</div> 	<div data-bbox="965 152 997 197" data-label="Text">4</div> 	<div data-bbox="1248 152 1279 197" data-label="Text">5</div> 
CAM LOCK 20 PCS	CAM BOLT 20 PCS	WOOD DOWEL 42 PCS	SCREW 7 PCS	HEX SOCKET HEAD BOLT 8 PCS
<div data-bbox="118 548 150 593" data-label="Text">6</div> 	<div data-bbox="400 548 432 593" data-label="Text">7</div> 	<div data-bbox="683 548 715 593" data-label="Text">8</div> 	<div data-bbox="965 548 997 593" data-label="Text">9</div> 	<div data-bbox="1248 548 1279 593" data-label="Text">10</div> 
BARREL NUT 8 PCS	SHELF HOLDER 20 PCS	KNOB 4 PCS	ROUND HEAD BOLT 4 PCS	DOOR CATCH 2 PCS
<div data-bbox="118 945 150 990" data-label="Text">11</div> 	<div data-bbox="400 945 432 990" data-label="Text">12</div> 	<div data-bbox="683 945 715 990" data-label="Text">13</div> 		
MAGNET 1 PC	ROUND HEAD SCREW 6 PCS	ALLEN KEY 1 PC		

Tools needed: Allen key (part #13)(included)
Phillips Head Screw Driver (Not included)

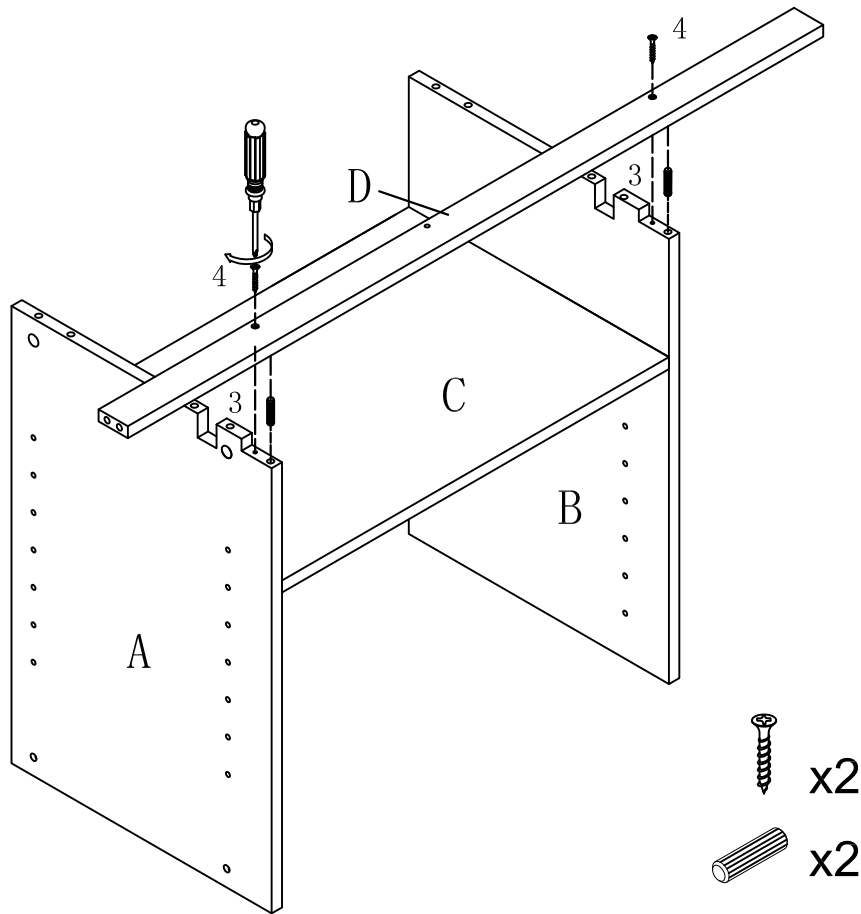
Step 1. Insert Cam Bolts (part #2) into pre-drilled holes of parts A,B,E,F,K& L using a Phillips head screw driver.



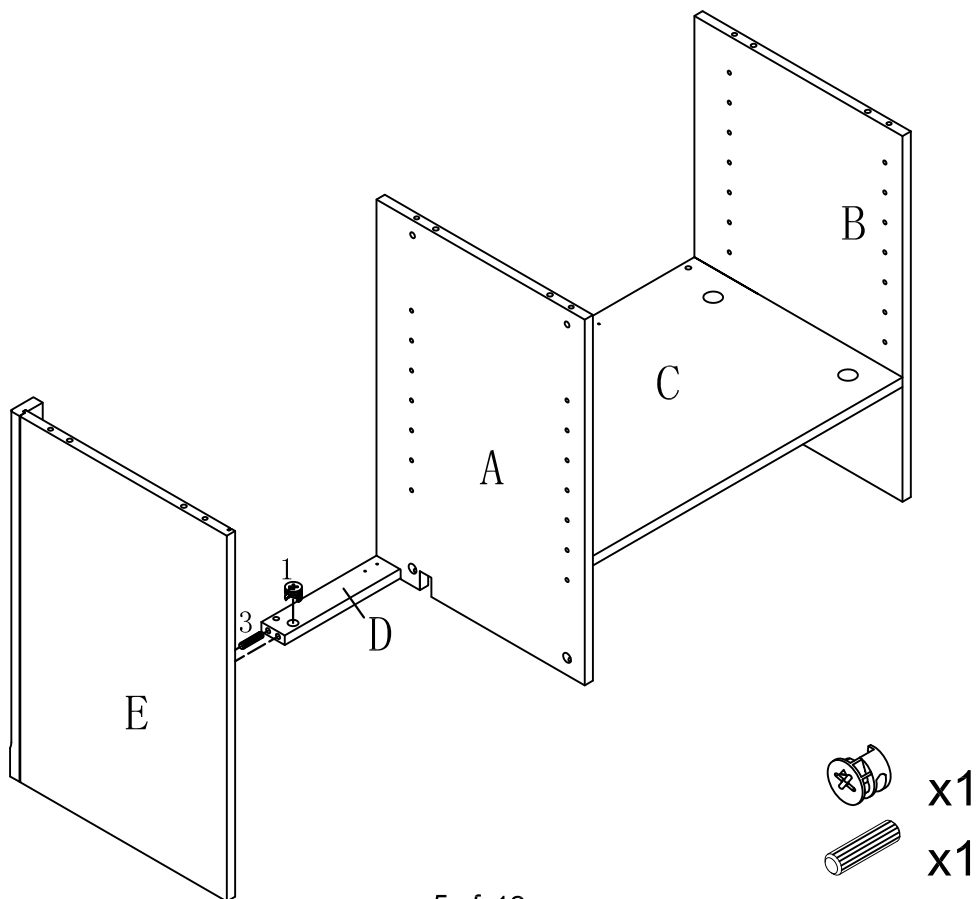
Step 2. Attach panels A & B to shelf C using Cam locks & wood dowels as shown.



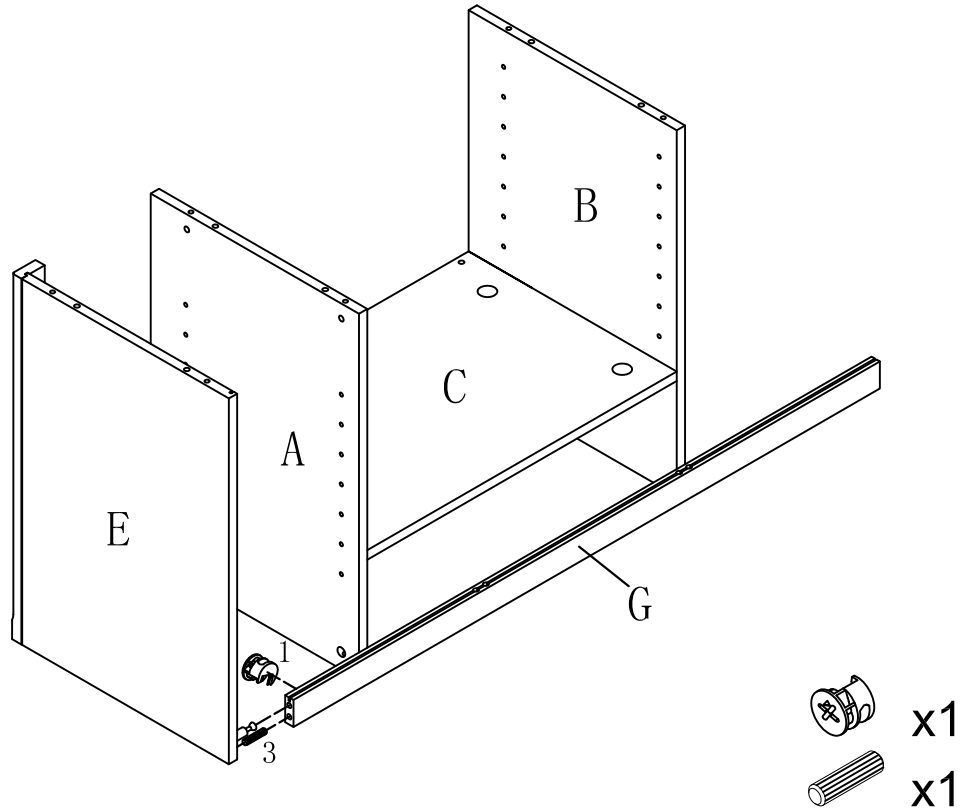
Step 3. Turn assemble parts A,B & C upright with notched cutouts facing upward. Attach Rail D using Wood Screws (part #4) & Wood dowels as shown.



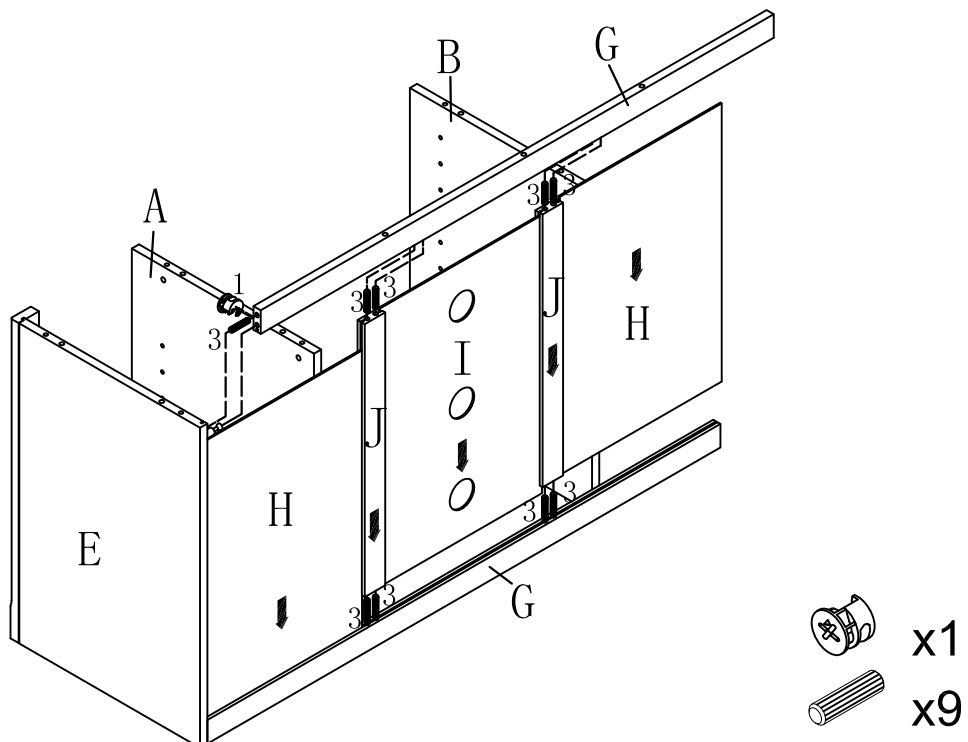
Step 4. Turn unit over with Rail D flat on floor as shown. Attach Panel E to Rail D using Cam locks & Wood dowels as shown.



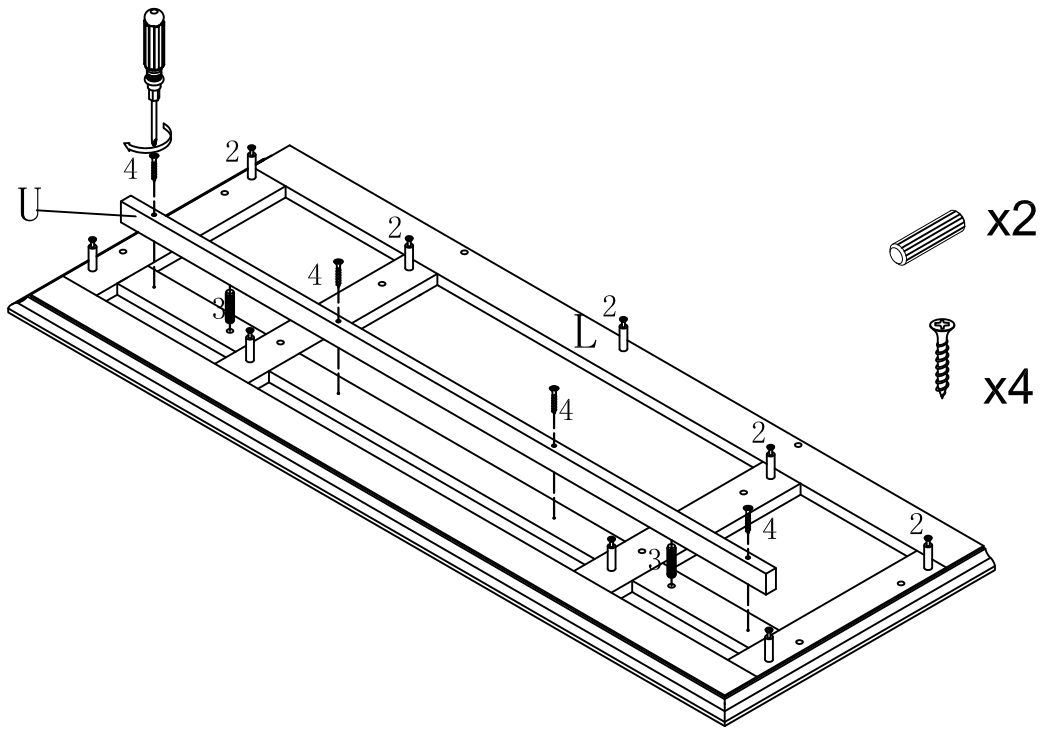
Step 5. Attach Rail G to the unit using Cam locks & Wood dowels as shown.



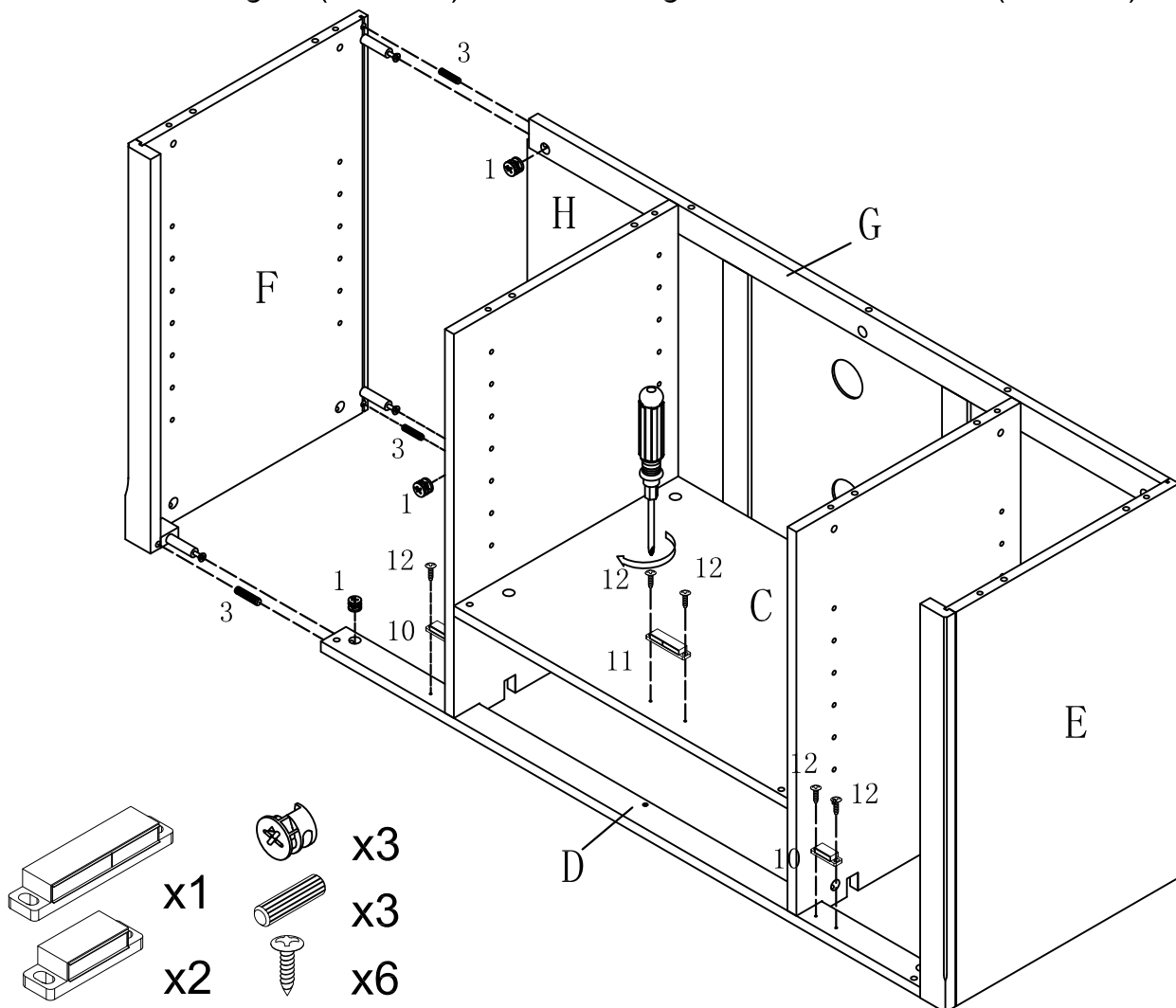
Step 6. Place Rails J into place on Rail G using Wood dowels as shown. Slide Back panels H & Panel I into the grooves as shown. Insert Wood dowels into the top end of Parts J. Attach rail G to Panel E & Rails J using Wood dowels & Cam locks as shown.



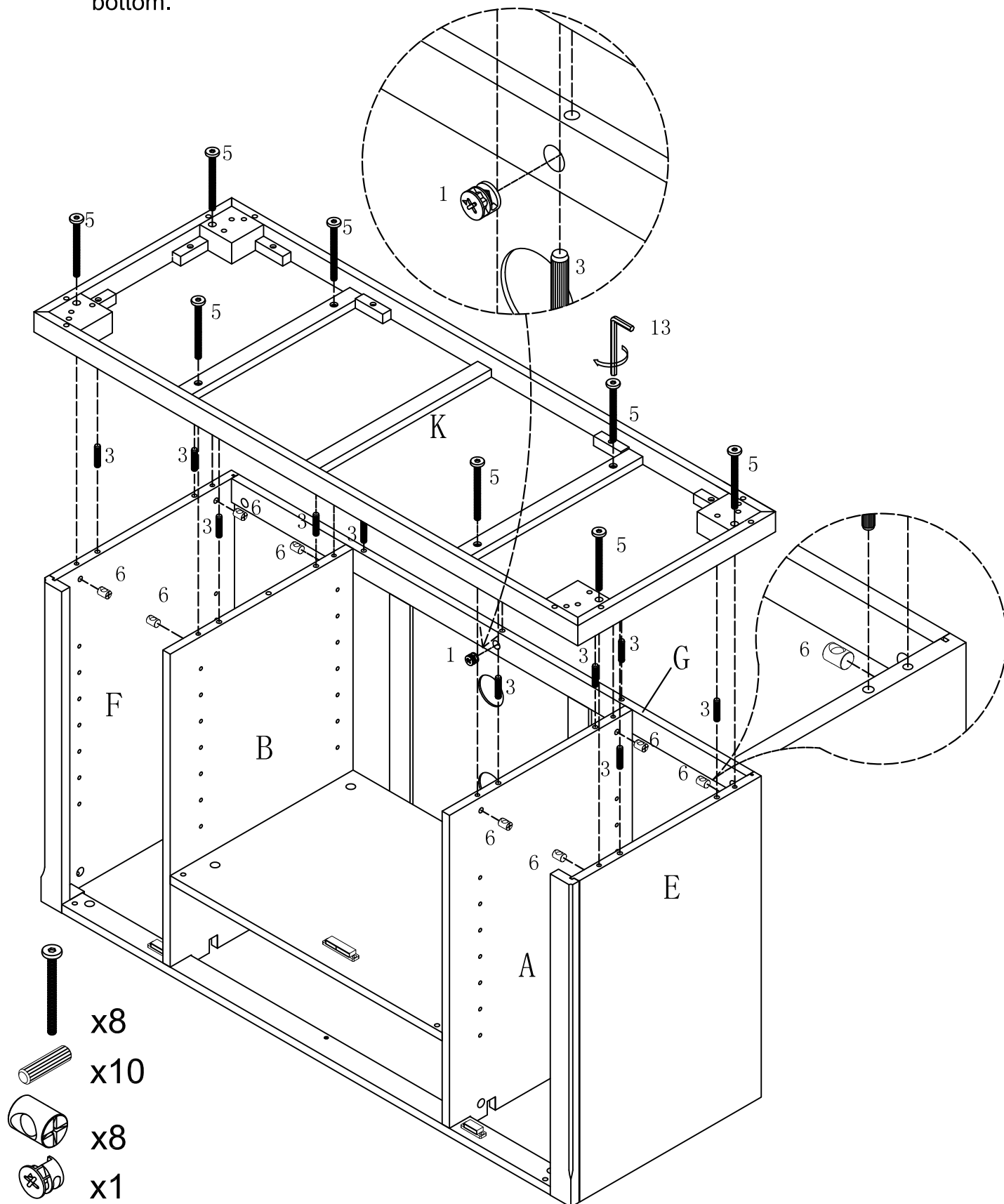
Step 7. Attach Rail U to Top L using Wood Dowels & Screws as shown.



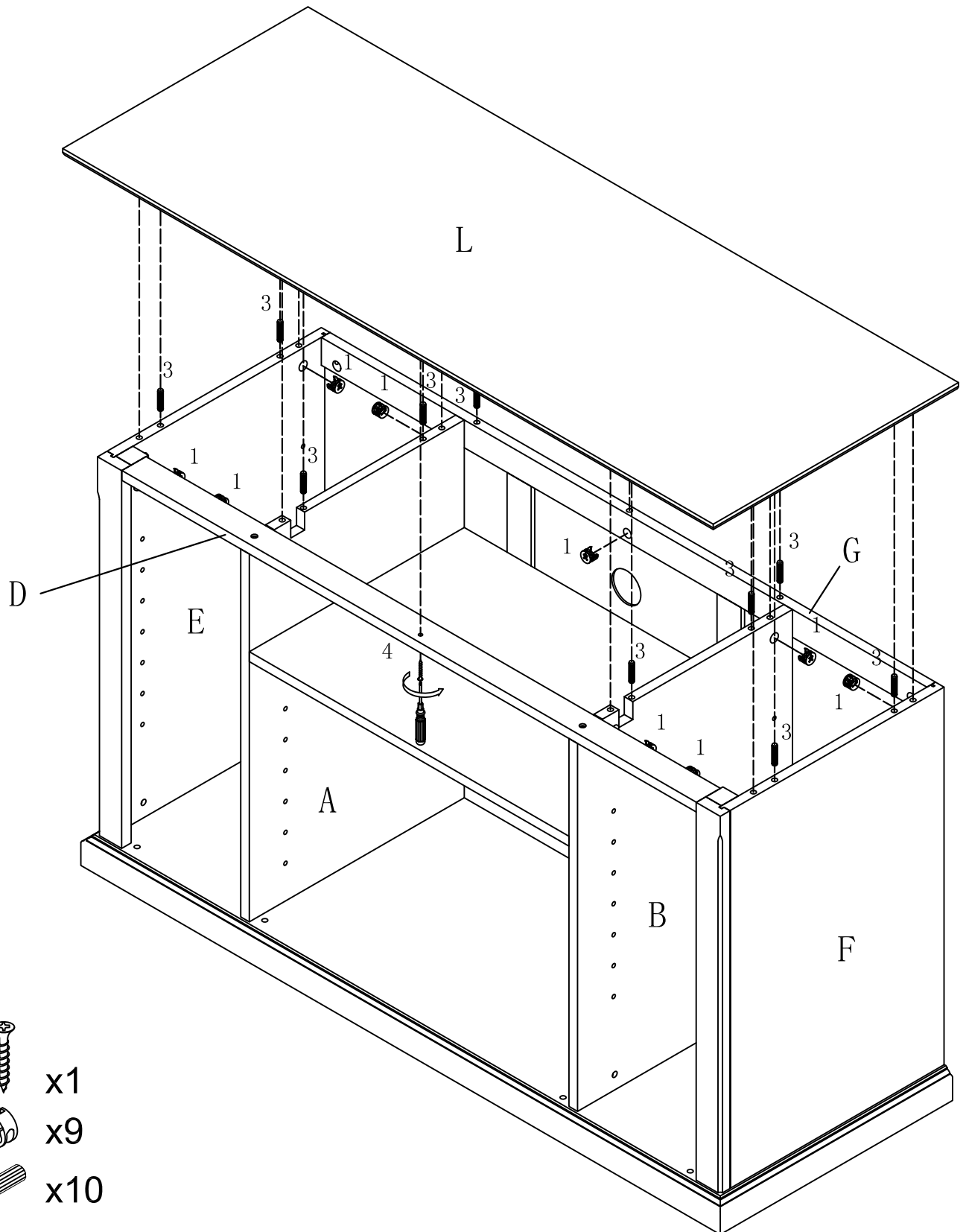
Step 8. Attach Side Panel F using Wood dowels & Cam locks as shown. Attach Magnet (part #11) to Shelf C using Round Head screws (Part #12) as shown. Attach Door Catch Magnet (Part #10) to Rail D using Round Head Screws (Part #12) as shown.



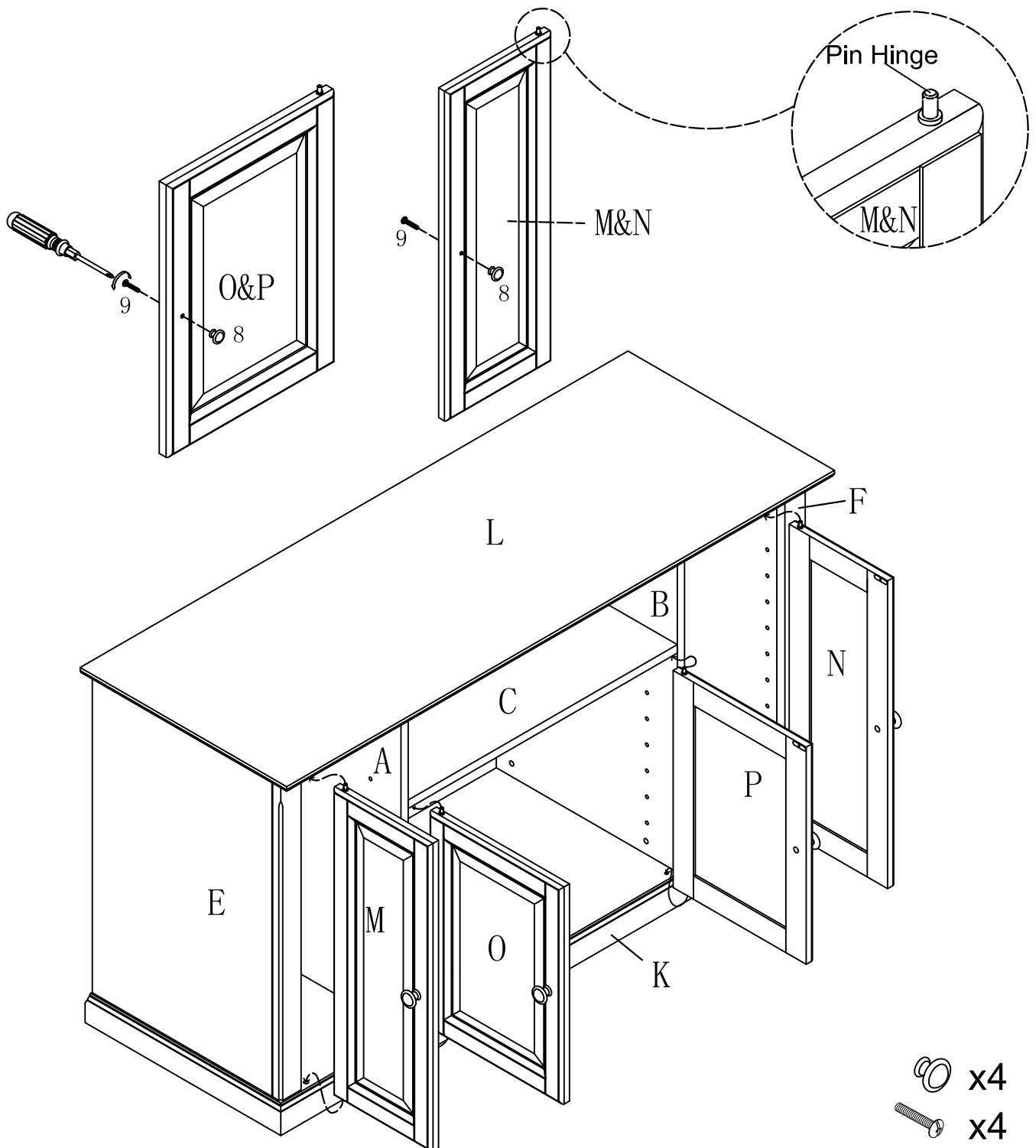
Step 9. With bottom side facing up, attach Base K to cabinet using Wood Dowels, Cam Lock, Hex Socket Head Bolt (Part #5) & Barrel Nuts (Part #6) as shown. Attach legs using Hex Socket Head Bolts & Wood dowels (as shown in instruction manual included in carton with legs). **IMPORTANT! - DO NOT ATTACH THE CENTER SUPPORT LEG AT THIS TIME.** Carefully turn cabinet over so that Base K is now on the bottom.



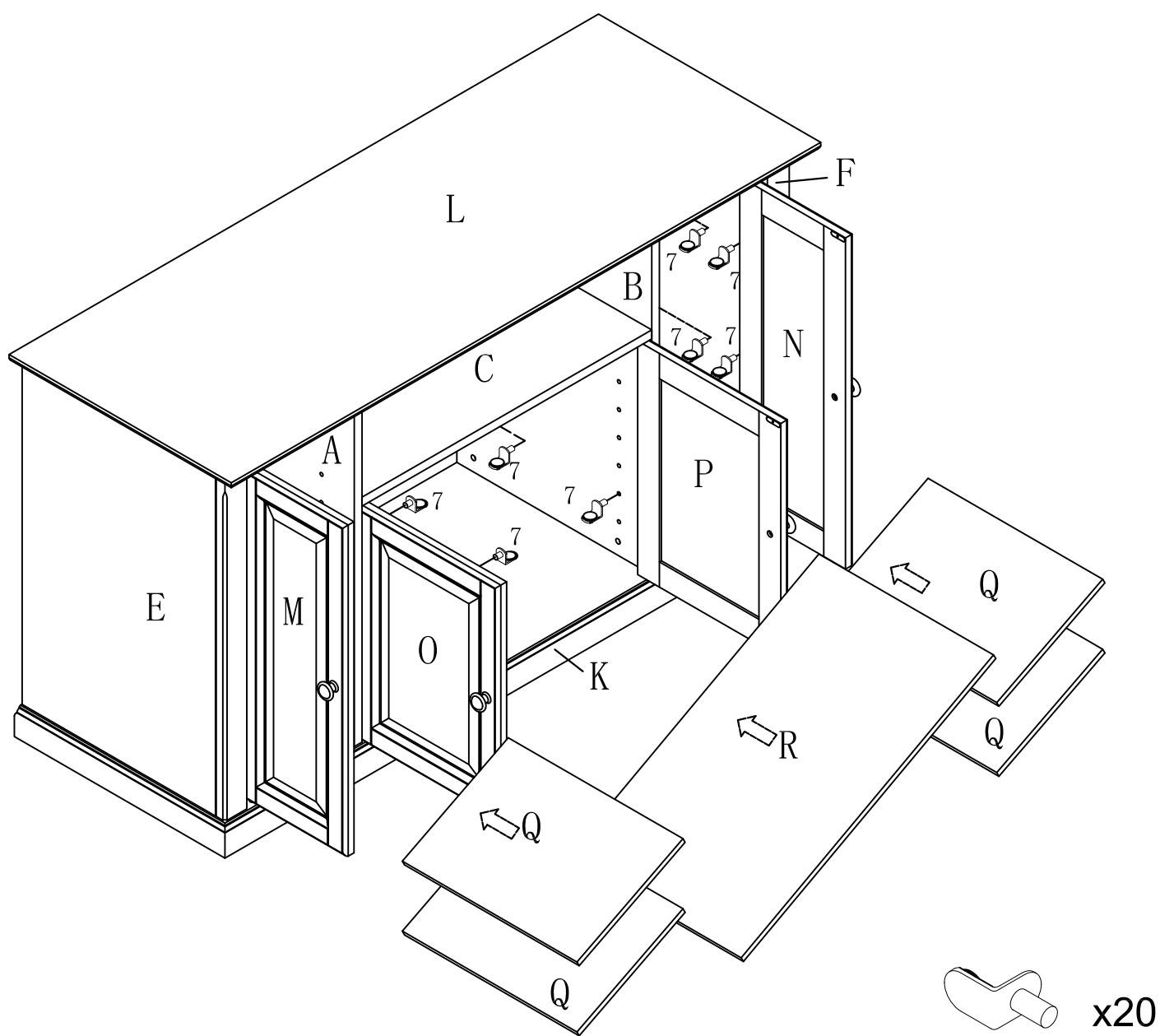
Step 10. Attach Top L to cabinet using Wood Dowels & Cam Locks as shown. Secure Rail D to Top L using one Wood Screw (Part #4) through pre-drilled hole as shown



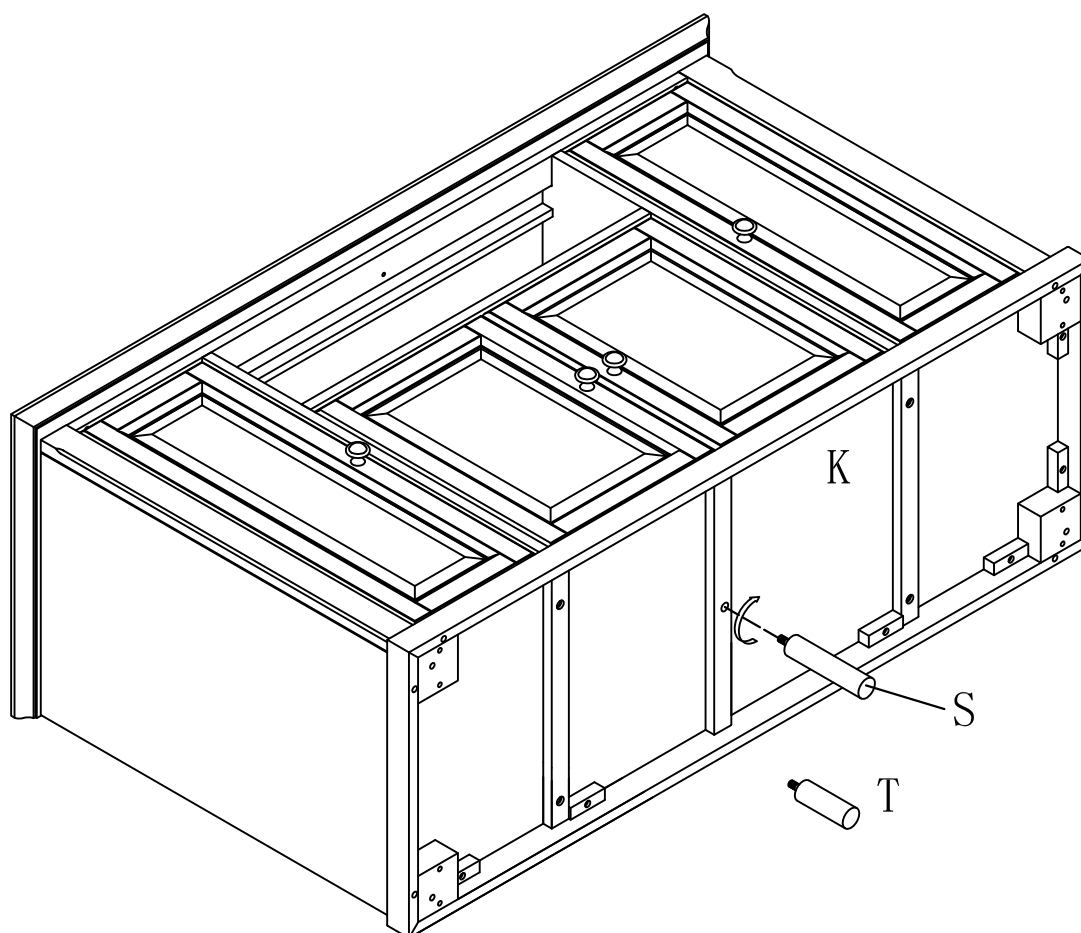
Step 11. Attach hardware knobs (Part #8) to Doors M,N,O&P using Round Head Bolts (Part #9) and a Phillips Head screw driver. Attach doors to cabinet by placing bottom Pin Hinge into pre-drilled holes at the bottom & depressing top spring loaded Pin Hinge to fit door into place. Note: Be sure Pin Hinges (top & bottom) have fully extended into the pre-drilled holes to secure doors into place.



Step 12. Insert the Shelf Holders (Part #7) into desired position and add shelves.



- Step 13. Place your assembled cabinet into the desired spot in your home. Attach the Center Support Leg S or T now by turning clockwise into the pre-drilled hole. Support Leg T is for use only with Bun Foot. All other Leg styles will use support leg S. NOTE: The adjustable leveler on the bottom of the Center Support Leg S/T should not be extended until after installation. Adjust the leveler on the bottom of the Center Support leg S/T until it fits tightly against the floor. **IMPORTANT! - IF YOU WISH TO RELOCATE YOUR CABINET, BE SURE TO REMOVE THE CENTER SUPPORT LEG. RE-INSTALL AFTER THE CABINET HAS BEEN MOVED.**



Limited Manufacturers Warranty

We are warranted against defects in material and workmanship for a period of 90 days beginning from the date of sale. Should any parts be missing or defective, we will replace or repair the parts for a period of 90 days from the date of purchase.

Should you experience any missing or damaged parts, do not return to the store. Please visit our website

This warranty gives the purchaser specified legal rights in addition to any rights which may vary from state to state.