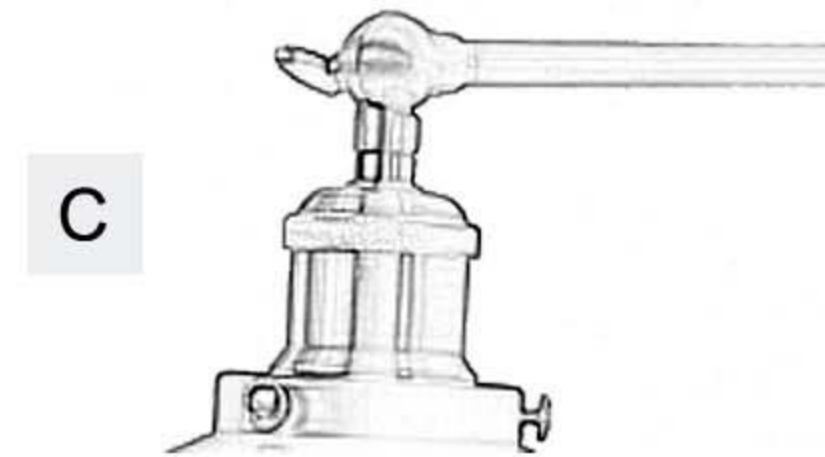
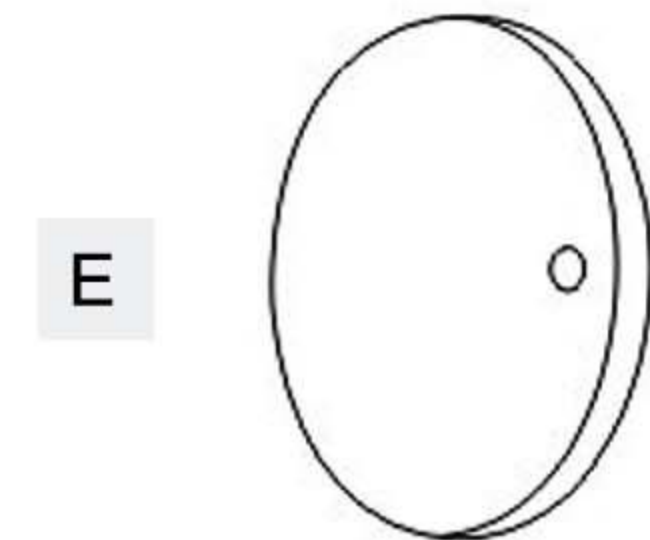
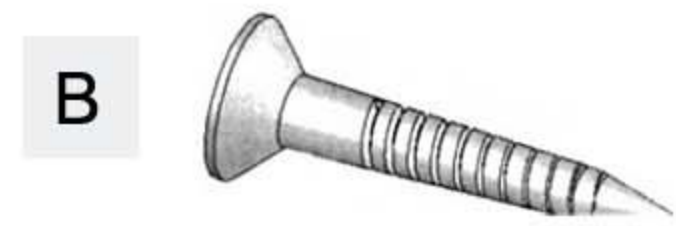
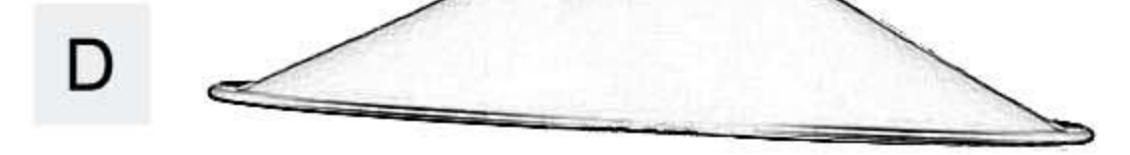


Assembly Instruction Sheet For Style HL370836

Package Contents

Part	Description	Quantity
A	Crossbar	1 pc.
B	Mounting Screw	2 pc.
C	Fixture Arm	1 pc.
D	Shade	1 pc.
E	Wall Mount	1 pc.



STEP 1

Attach Mounting Screws(B) to Crossbar(A).
Thread Mounting Screws(B) into the holes on the Crossbar(A).
Fix Crossbar(A) to the wall.

STEP 2

Attach Fixture Arm(C) to the Shade(D).

STEP 3

Connect one Supply Wire to one wire from the fixture.
Connect the other Supply Wire to the other wire from the fixture.

STEP 4

Attach Fixture Arm(C) to the Wall Mount(E).
Fix Wall Mount(E) to the Crossbar(A).

STEP 5

Insert bulb and screw snugly into place.

Your fixture is now assembled and ready to use.

Thank you for purchasing a Baycheer product. Need assistance with parts or assembly? Please contact our Customer Service.