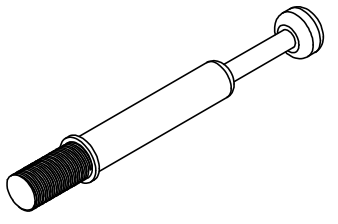
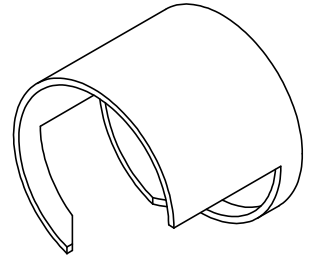


A



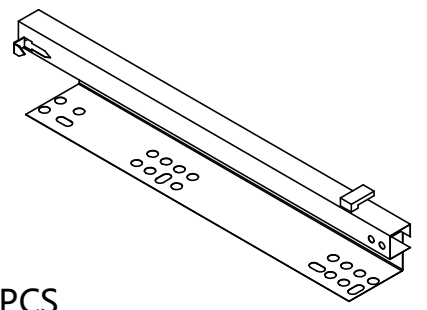
48PCS

B



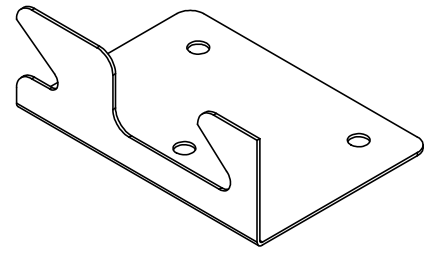
48PCS

C



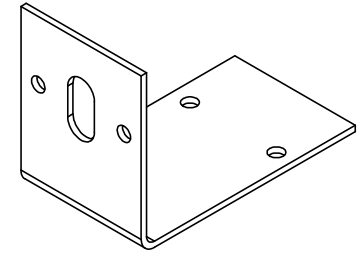
2PCS

D



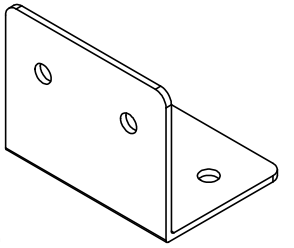
2PCS

E



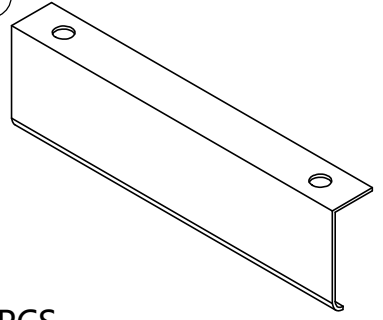
2PCS

F



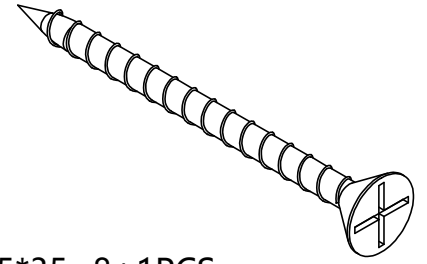
6PCS

G



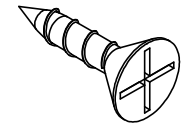
2PCS

H



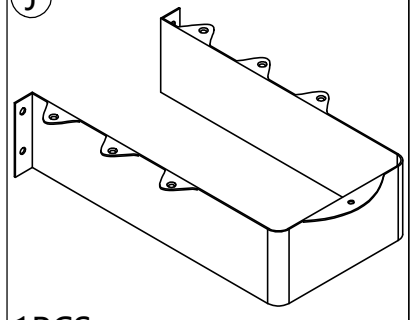
3.5*35=8+1PCS

I



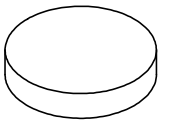
3.5*14=63PCS

J



1PCS

K

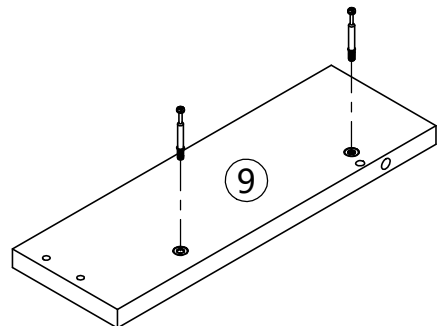
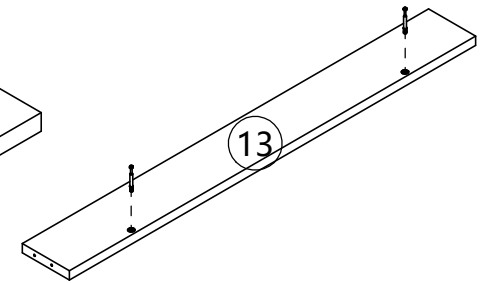
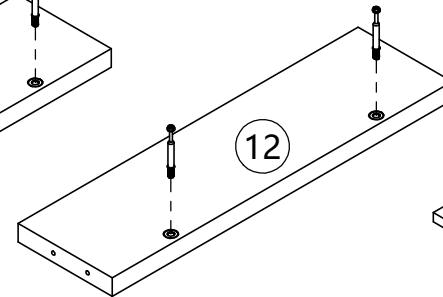
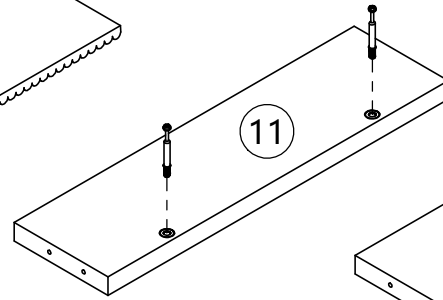
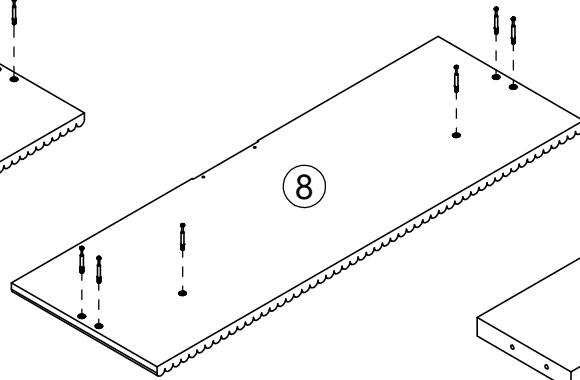
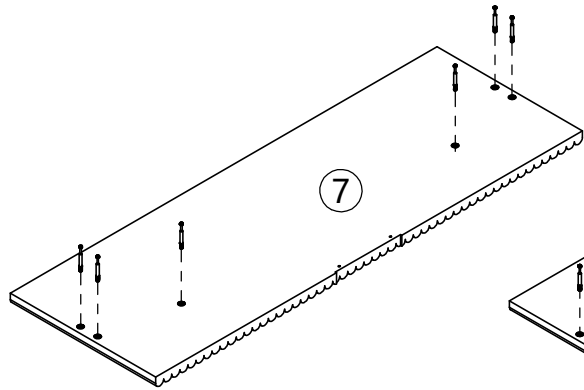
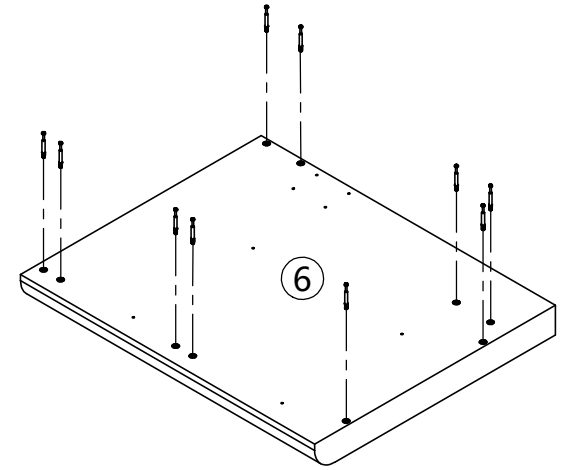
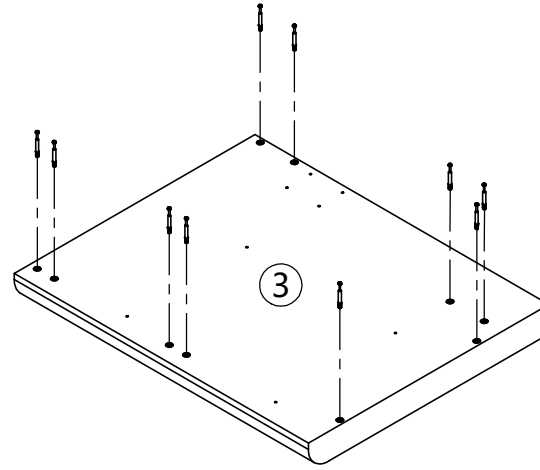
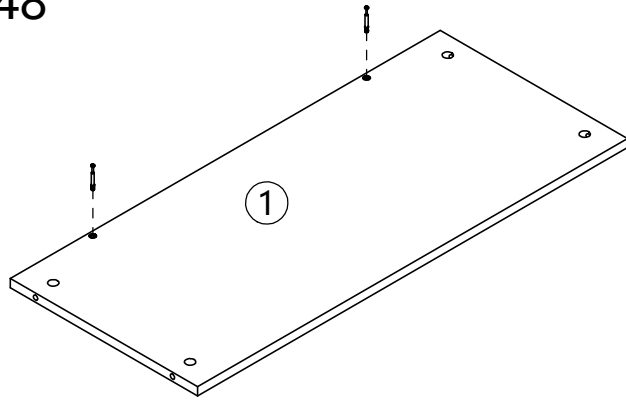


6+2PCS

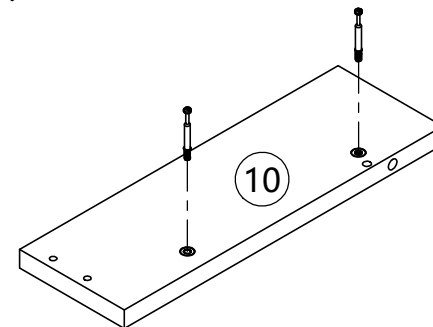
Step 1



X48



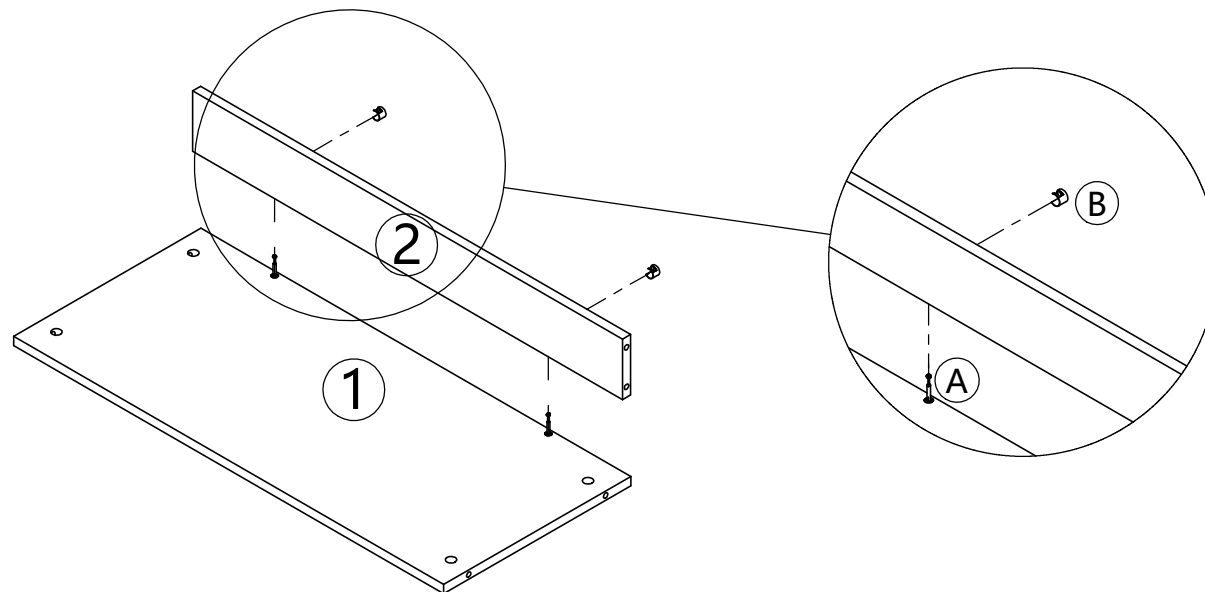
X2



X2

Step 2

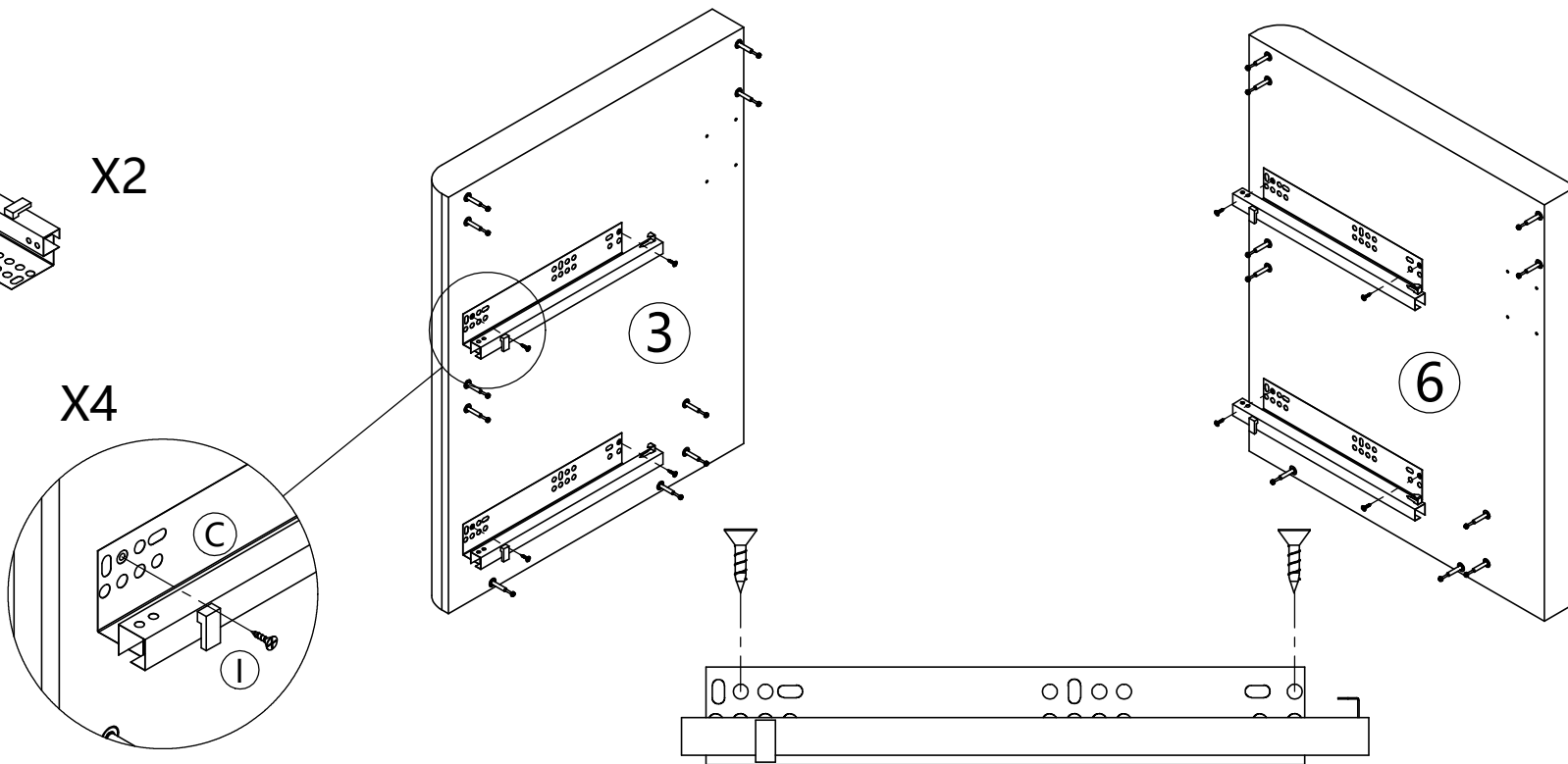
B X2



Step 3

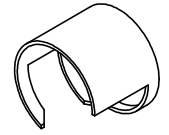
C X2

I X4

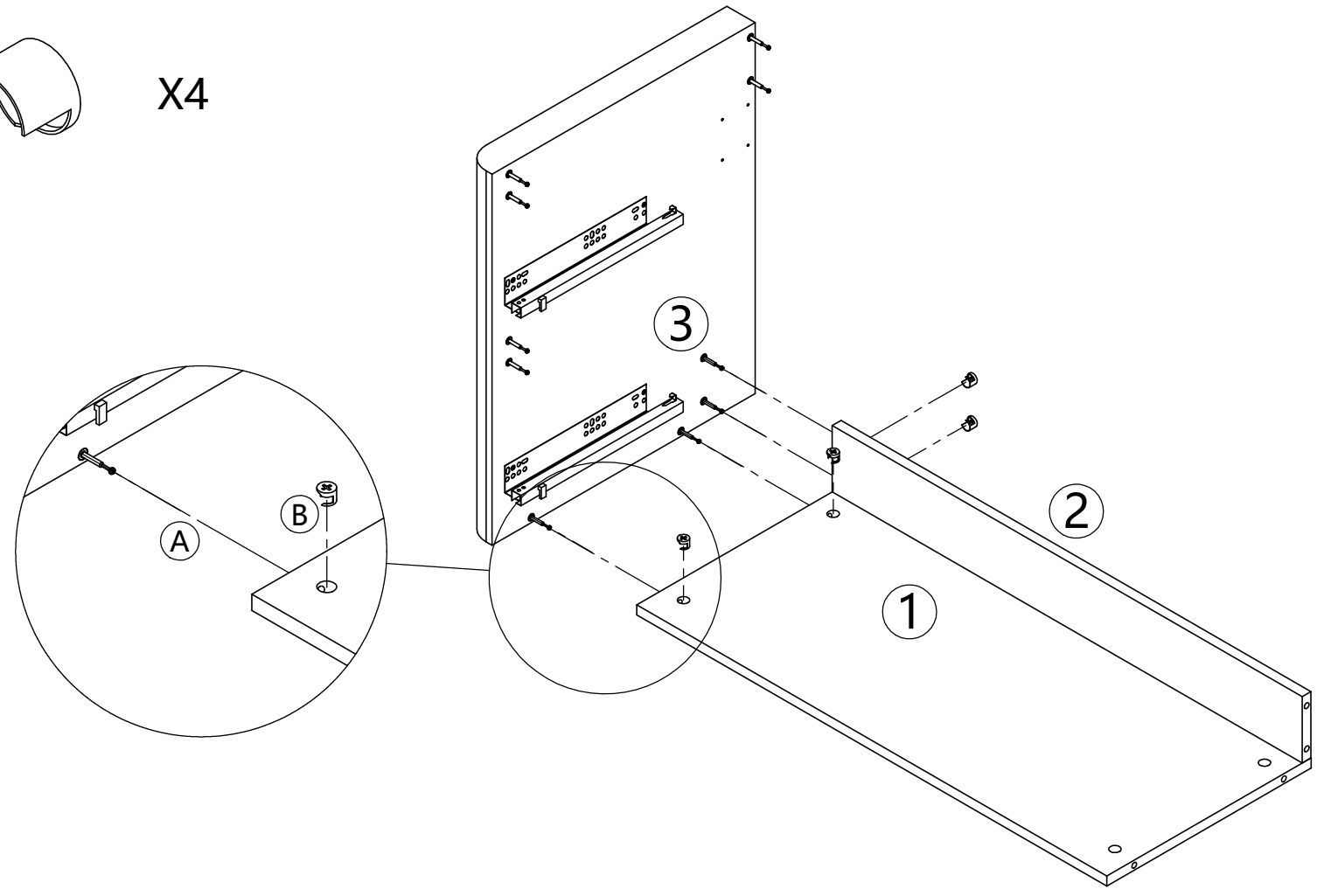


Step 4

B

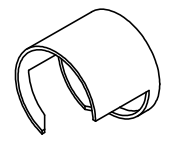


X4

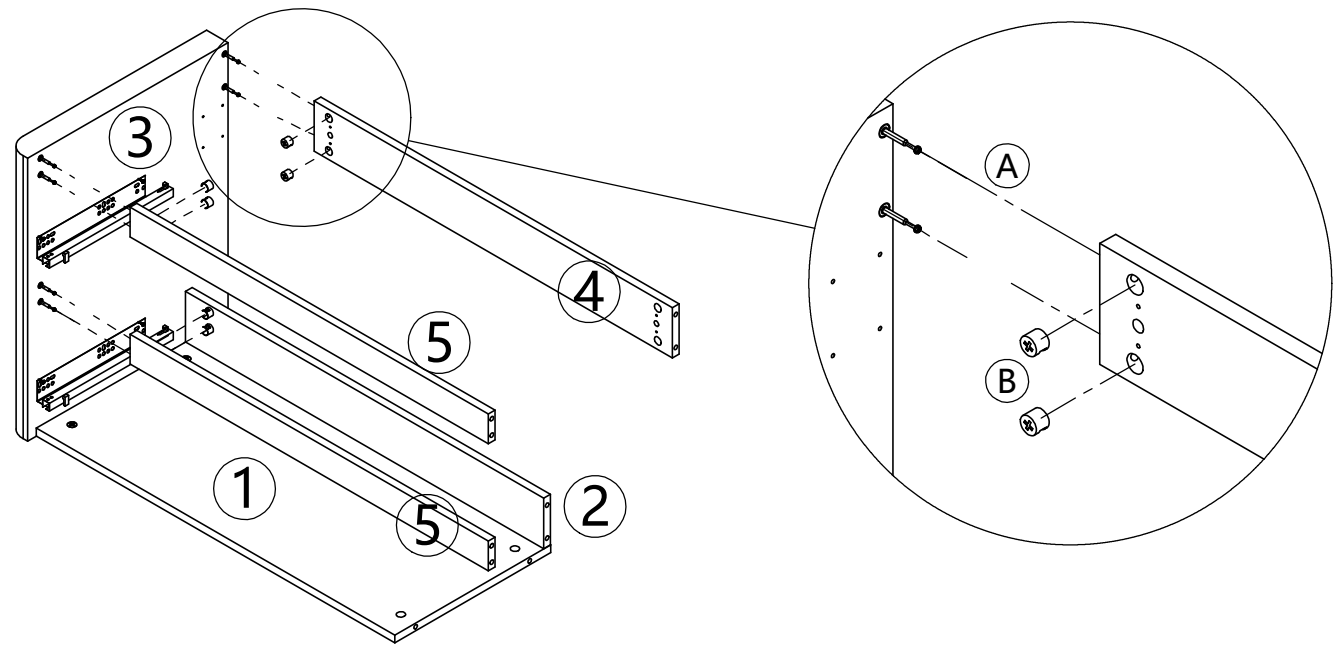


Step 5

B

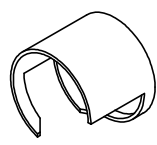


X6

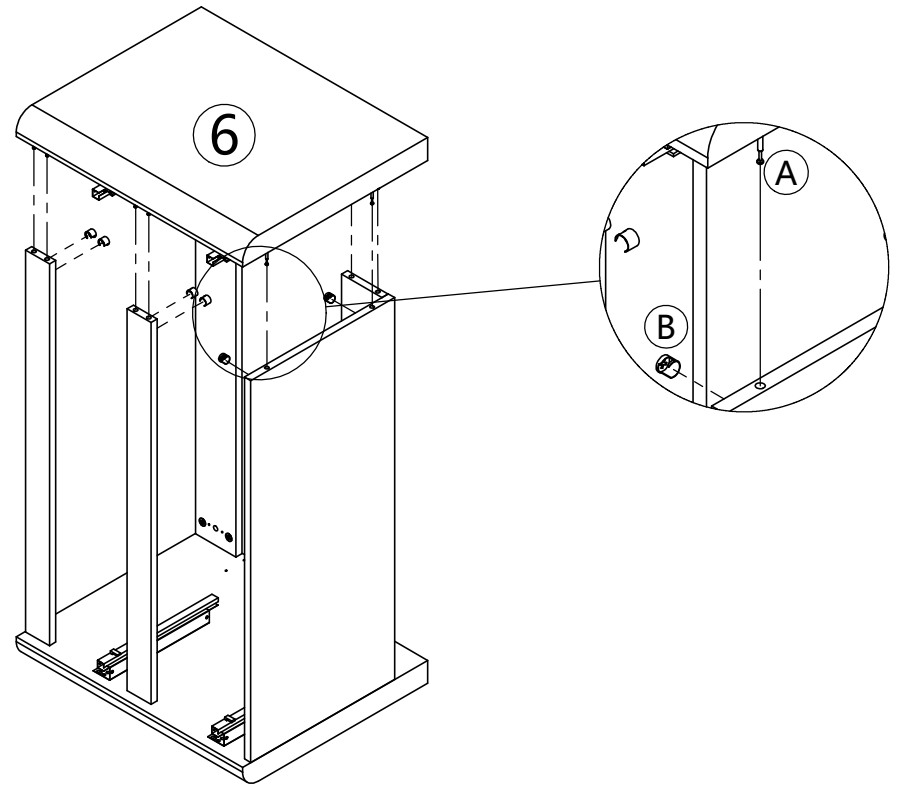


Step 6

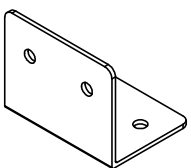
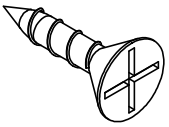
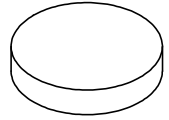
B

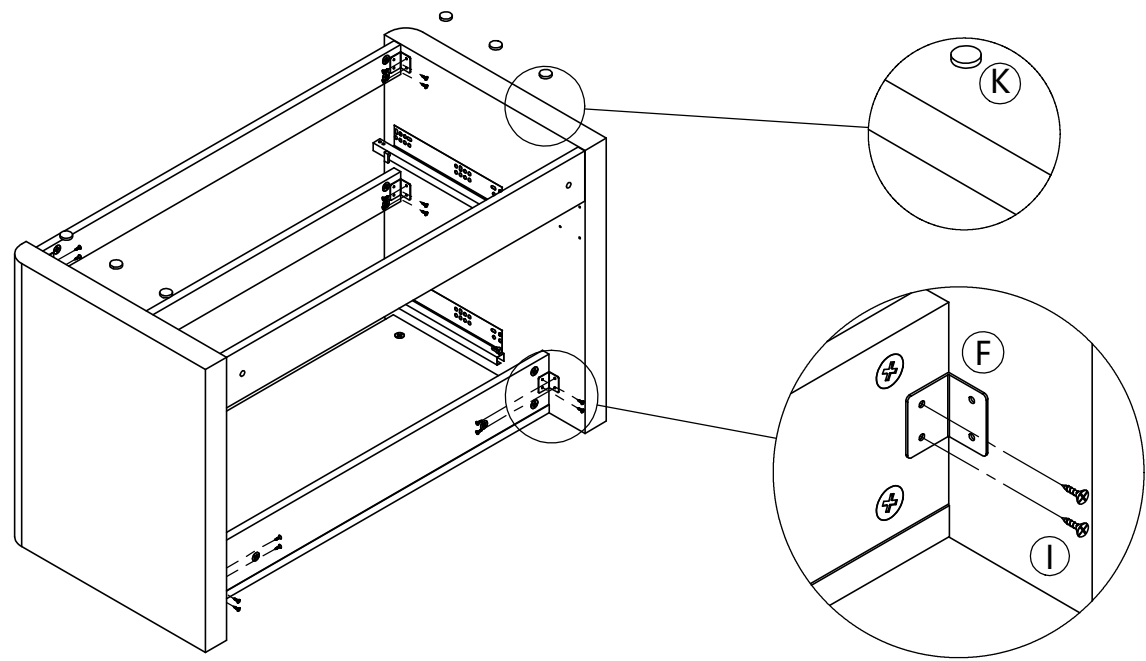


X10

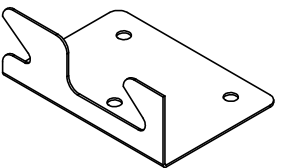
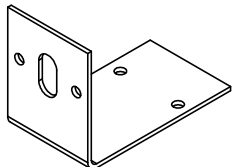
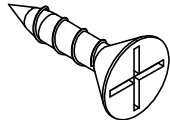


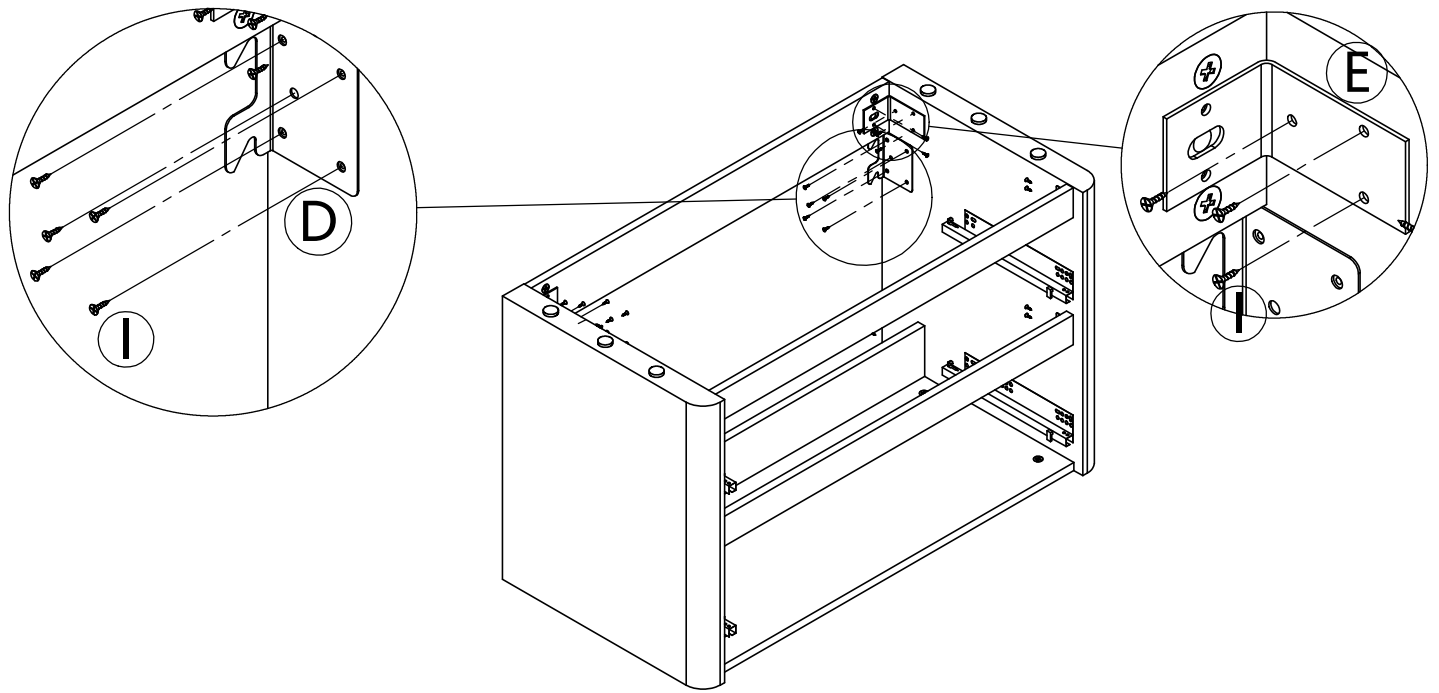
Step 7

- F  X6
- I  X24
- K  X6

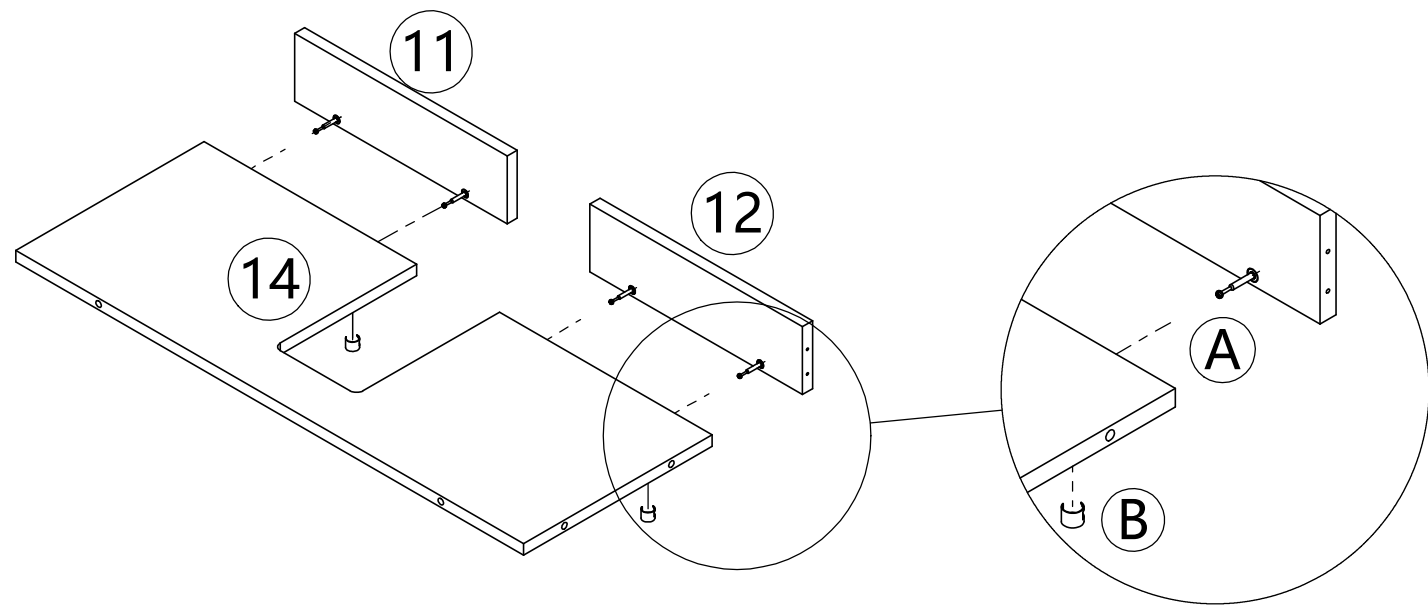
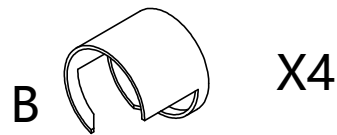


Step 8

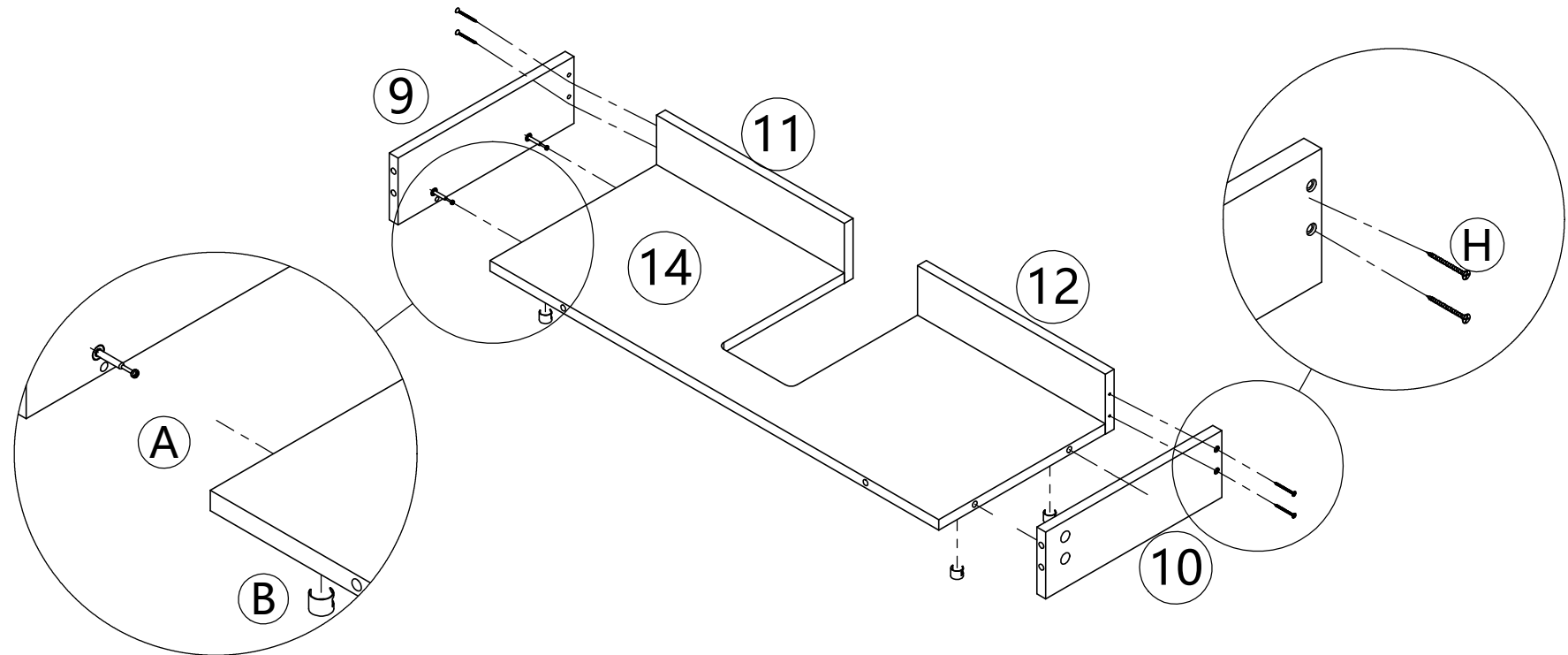
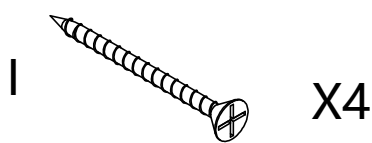
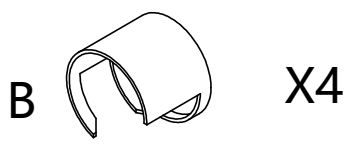
- D  X2
- E  X2
- I  X20



Step 9

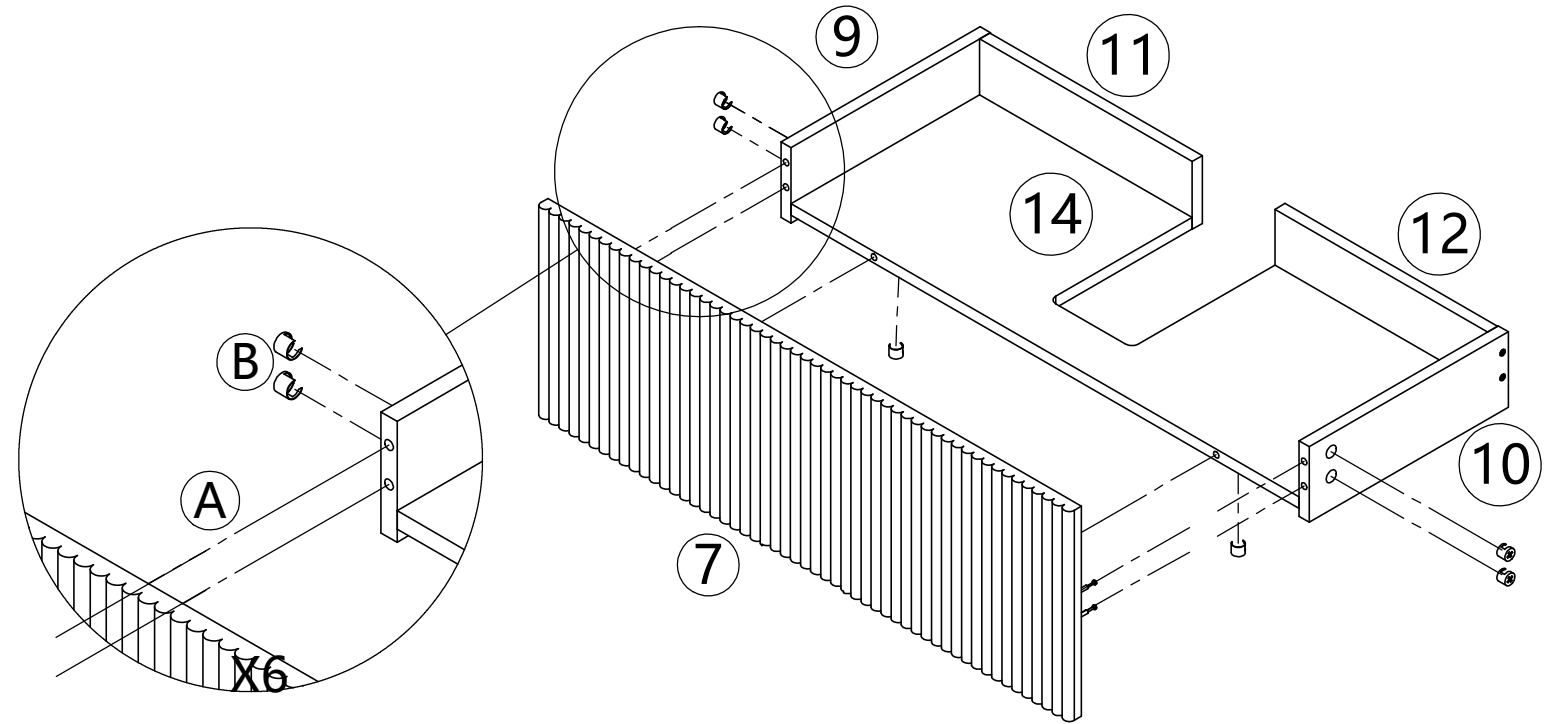


Step 10



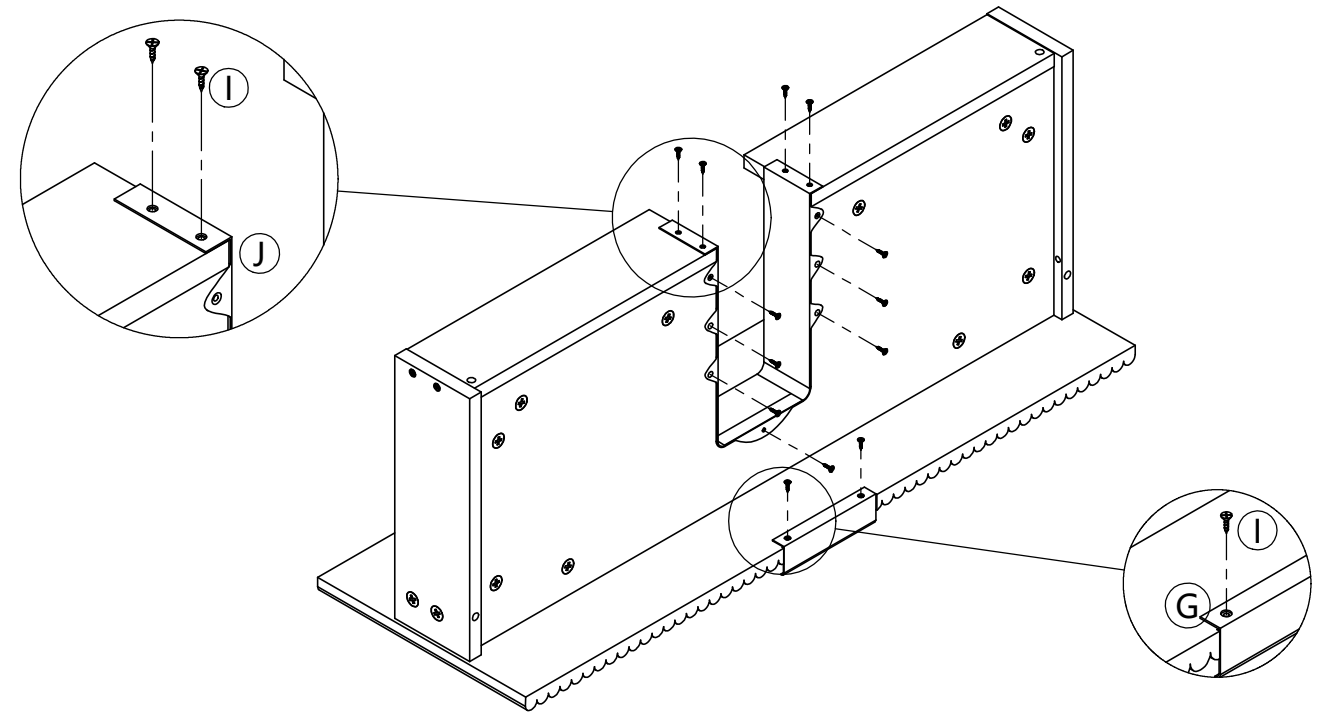
Step 11

B X6

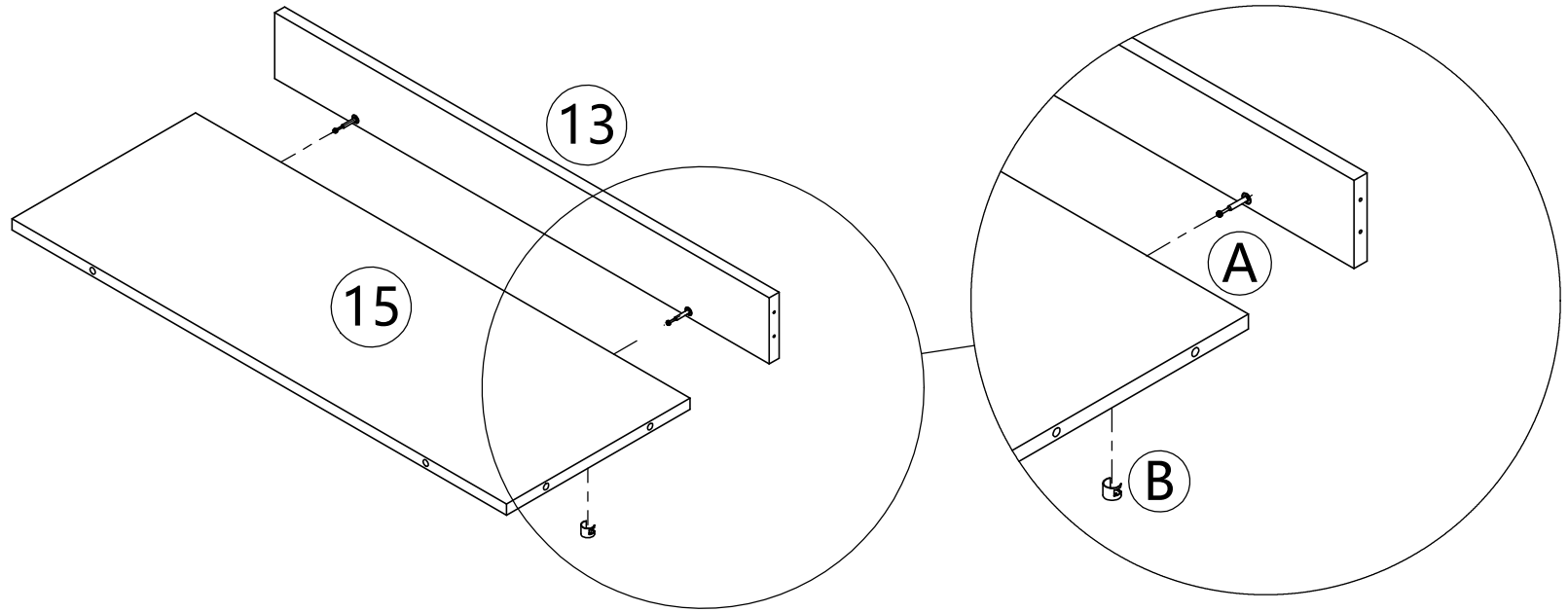
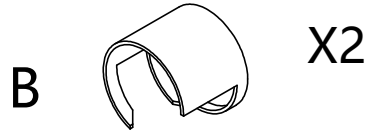


Step 12

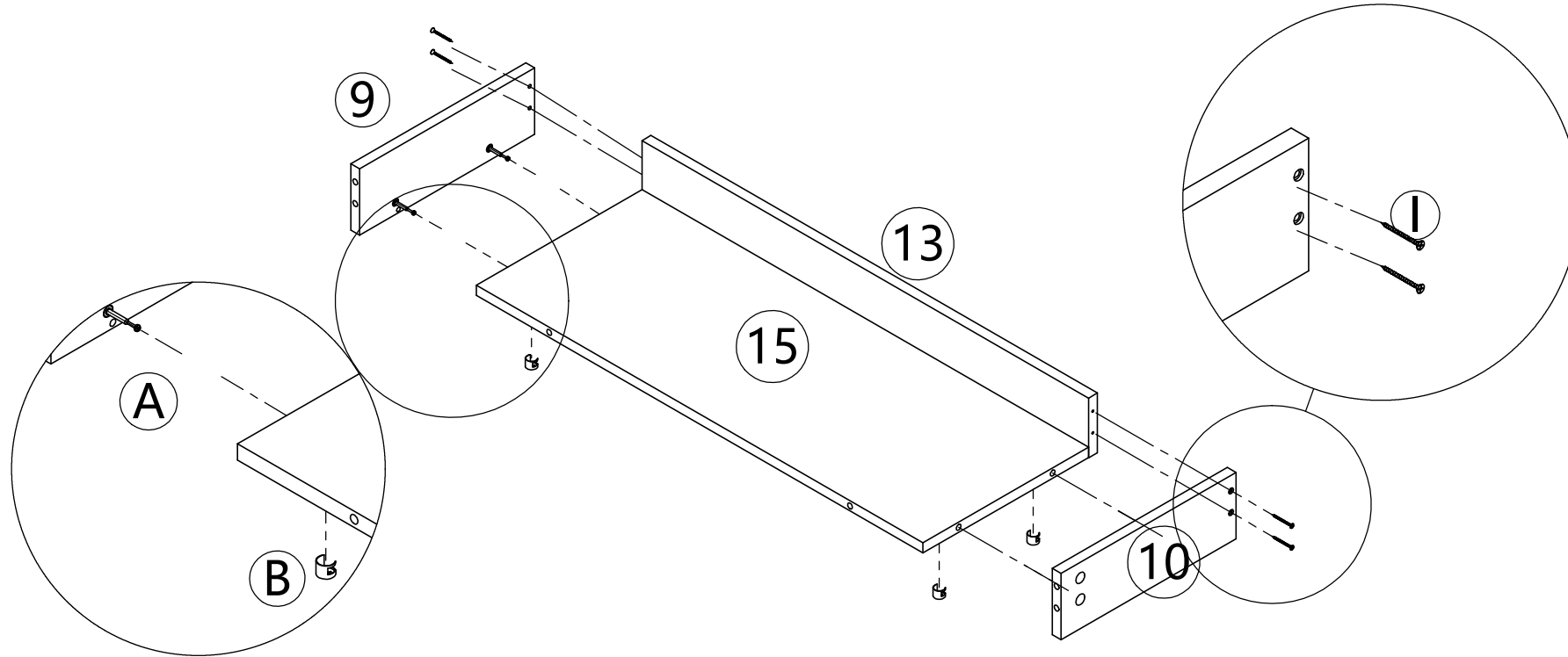
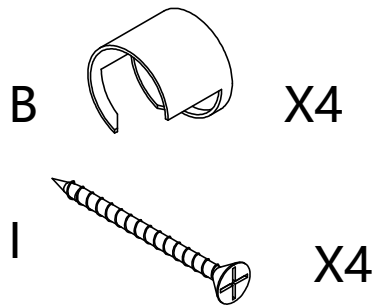
G X1
J X1
I X13



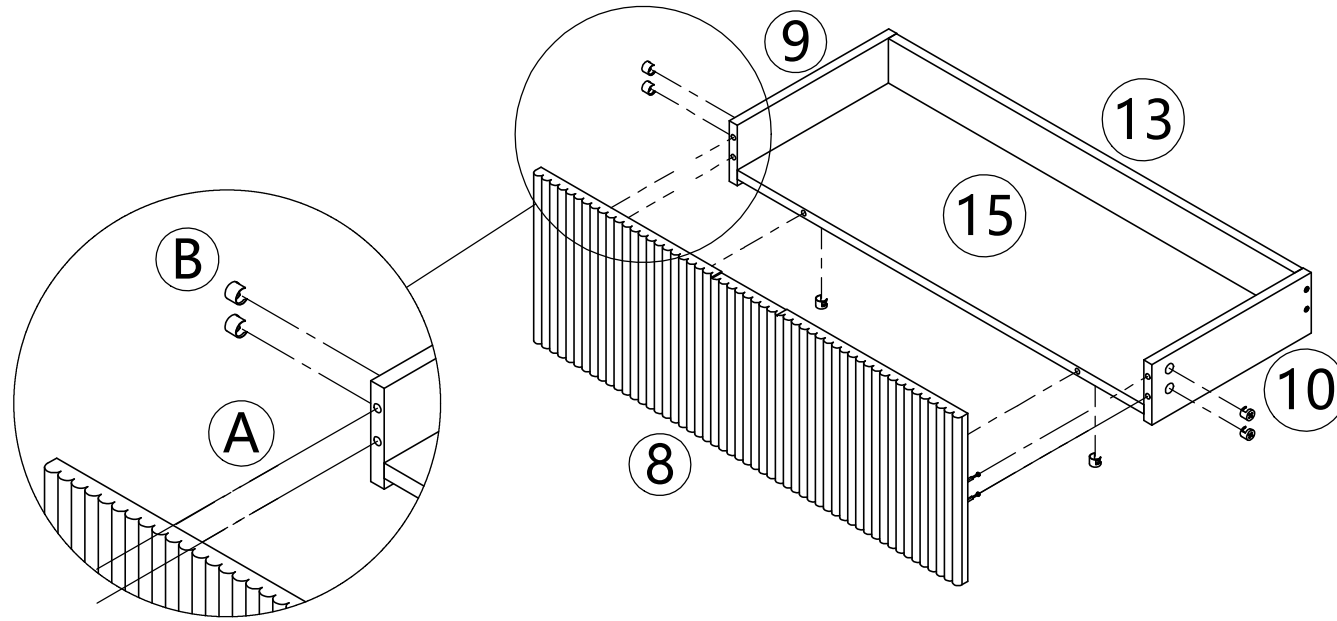
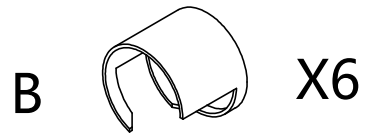
Step 13



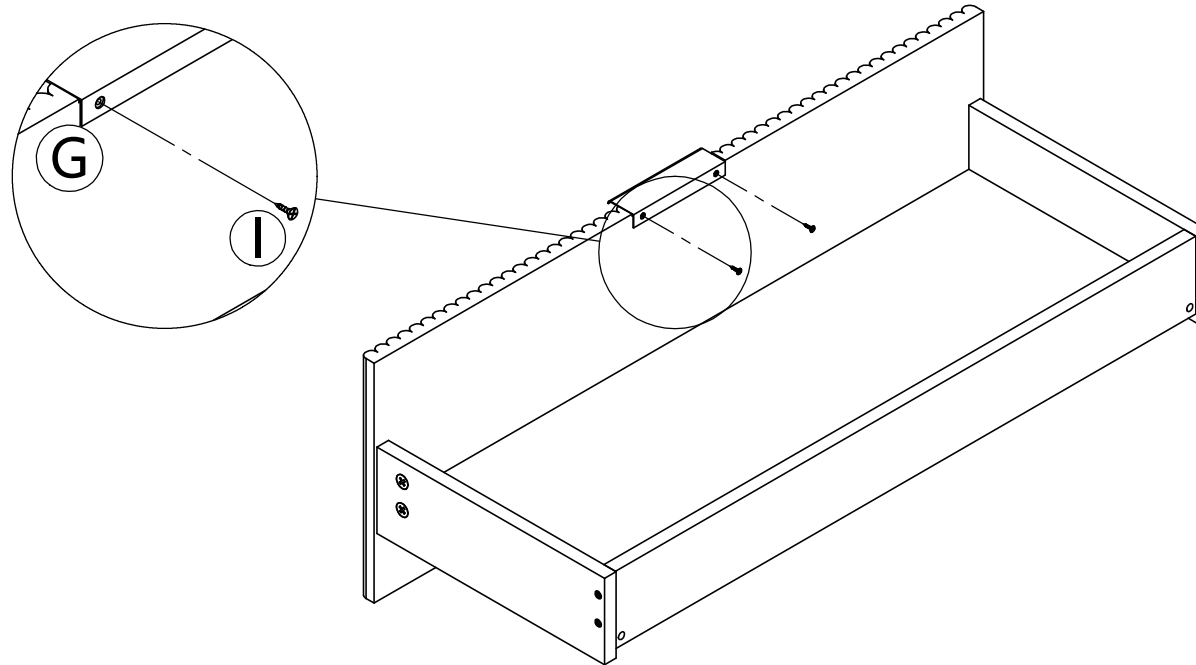
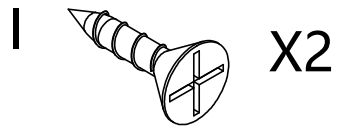
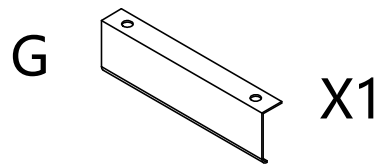
Step 14



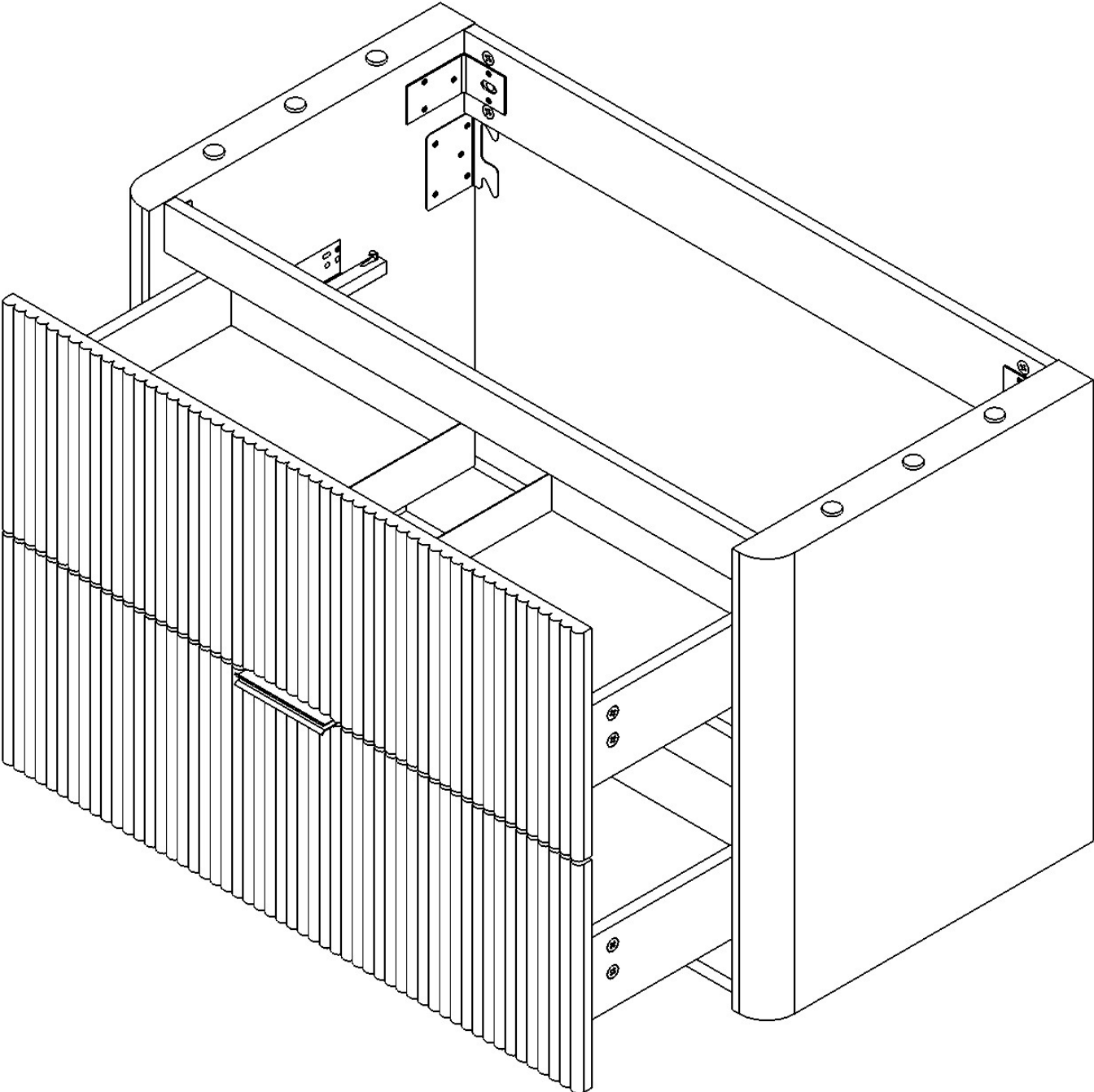
Step 15



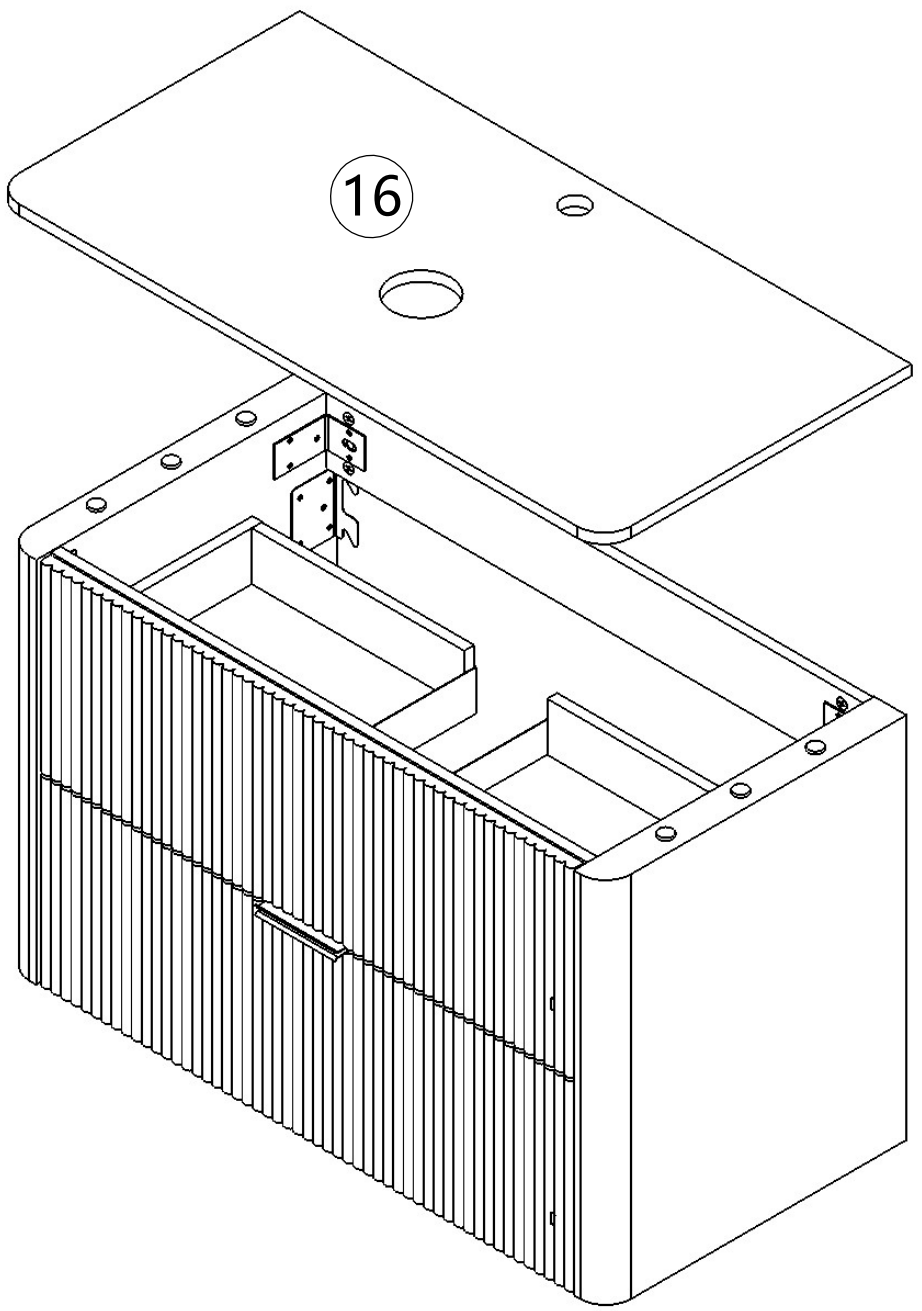
Step 16



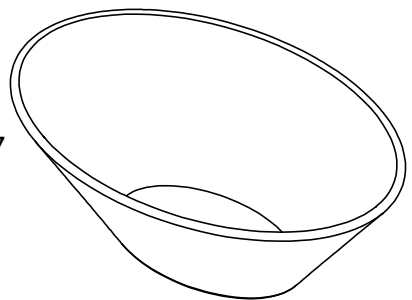
Step 17



Step 18



17



X1

