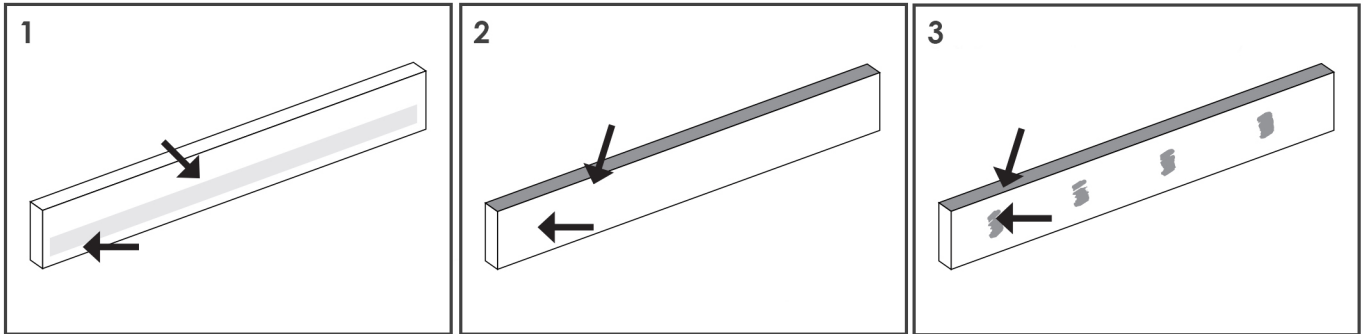
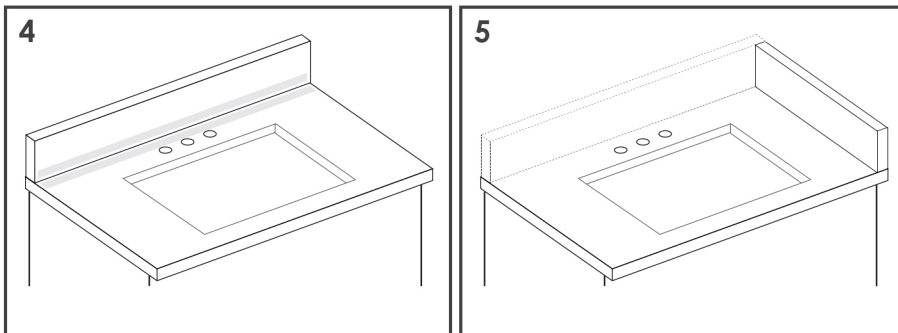


BACKSPLASH/SIDESPLASH INSTALLATION MANUAL



1. Prior to installation, identify the "face(polished/gloss surface)" and the "top edge" of the backsplash/sidesplash. Apply masking tape along bottom edge of backsplash/sidesplash and along the back edge of the vanity top. The tape needs to be set away from the back edge of the top for the thickness of the splash + 1/8 - inches, this will aid in the removal of excess silicone.
2. Apply a bead of color matched or clear silicone caulk along the bottom edge of the backsplash/sidesplash.
3. Apply dabs of silicone to the backside of the backsplash/sidesplash.



4. Carefully set backsplash/sidesplash into place against wall and vanity top. Be sure to lightly press backsplash/sidesplash into place. Do not use excessive force.
5. Apply a thin bead of color matched or clear silicone along the joint between the backsplash/sidesplash and the vanity top.
6. Smooth the silicone bead with a clean, white cotton cloth dampened with a denatured alcohol. Remove masking tape from backsplash/sidesplash and vanity top.
7. Repeat steps 1-7 to attach side splashes.(if applicable)
Wait 24 hours before using vanity top to allow time for silicone to fully cure.

NOTE: Follow all manufacturer's instructions and safety information on all silicone caulk containers.

Ensure adequate ventilation before applying silicone.