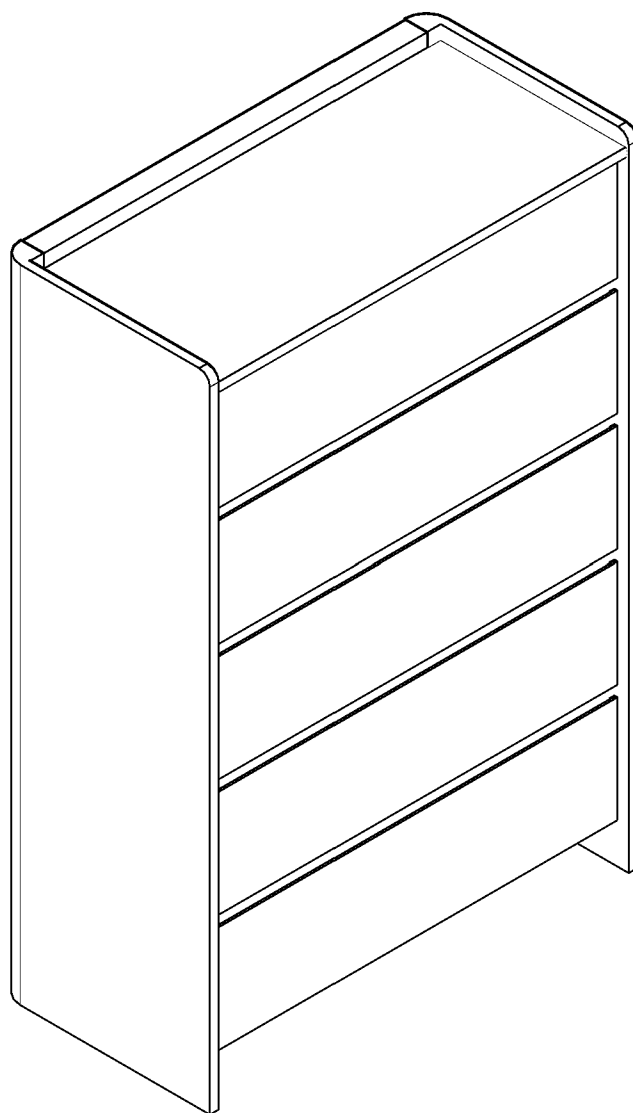


LuxenHöme

5-Drawer Chest

SKU WHIF2679



ASSEMBLY INSTRUCTIONS



90 min. assembly
2 person

* The estimated assembly time may vary depending on the individual.

Hey, there

Now is assembly time!

Deeeeeeep breathe.... and again....

Tools ready,
Easy peasy!

Estimated



90 min. assembly
2 person

Tools Required

- Allen Wrench(included)
- Phillips screwdriver(not included)
- Hammer(not included)
- Power Drill(not included)
- Drill bit(not included)

important.Cautious when you use power tools

Need Help?

- Call us at +1 909 548 6688
- Email customerservice@luxenhome.com
- Submit a ticket on www.luxenhome.com/help

Thank you for purchasing this LuxenHome product. This product has been manufactured with the highest standards of safety and quality.

PLEASE READ ALL INSTRUCTIONS CAREFULLY BEFORE ASSEMBLY.

Unpack all parts from the packaging inside the carton to ensure there are no missing or damaged parts. Lay out all the parts on a clean, flat, and soft surface to prevent scratches. Refer to the steps provided as assembling guide.

Do not attempt to assemble or use the product if any parts are missing or damaged.

Please save this manual for future reference.

REMINDERS

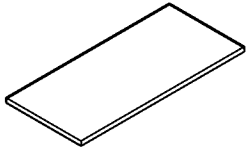
SAFE USAGE IS KEY

Your well-being is our top priority when you use our product. Please prioritize your safety by diligently following the assembly guidelines and inspecting the product carefully both when it arrives and before each use. Please be aware that LuxenHome and Winsome House, Inc. cannot be held liable for any injuries or fatalities that occur due to not adhering to the provided instructions or misuse of the product.

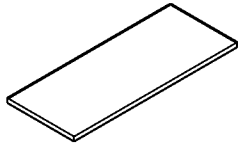
DO NOT MODIFY

Our products undergo rigorous testing to ensure they meet established safety standards before being released for sale. Altering the product in any way can lead to serious safety concerns, for which LuxenHome cannot assume responsibility.

Furniture components:



① Top Panel x1



② Bottom Panel x1



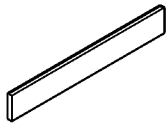
③ Side Panel (L) x1



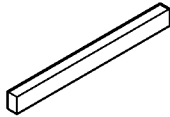
④ Side Panel (R) x1



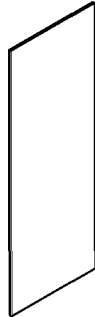
⑤ Bottom Support Panel x1



⑥ Internal Support Panel x1



⑦ Top Support Panel x1



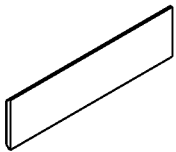
⑧ Back Mdf Board x2



⑨ Support Panel x3



⑩ Fix Support Panel x1



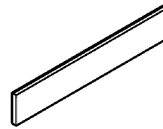
⑪ Drawer Face Panel x5



⑫ Drawer Side Panel(L) x5



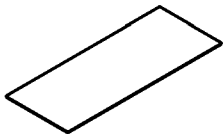
⑬ Drawer Side Panel(R) x5



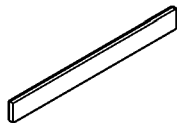
⑭ Drawer Back Panel x5



⑮ Drawer Support Panel x5

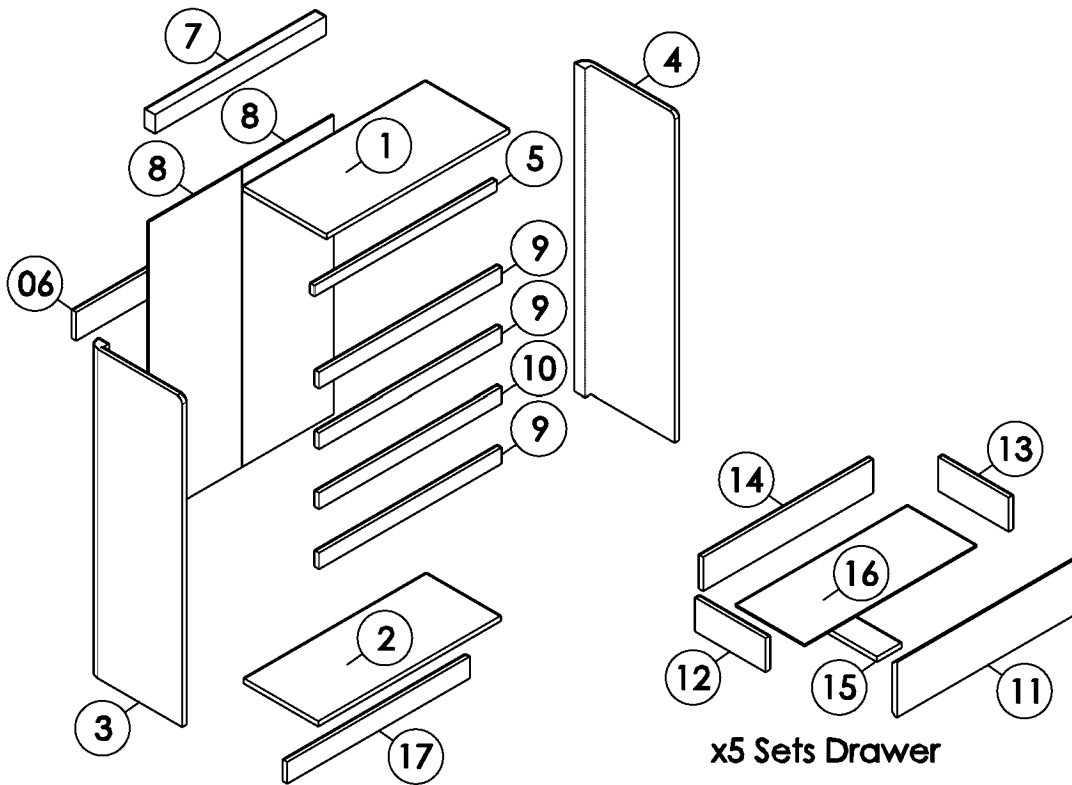


⑯ Drawer Mdf Board x5

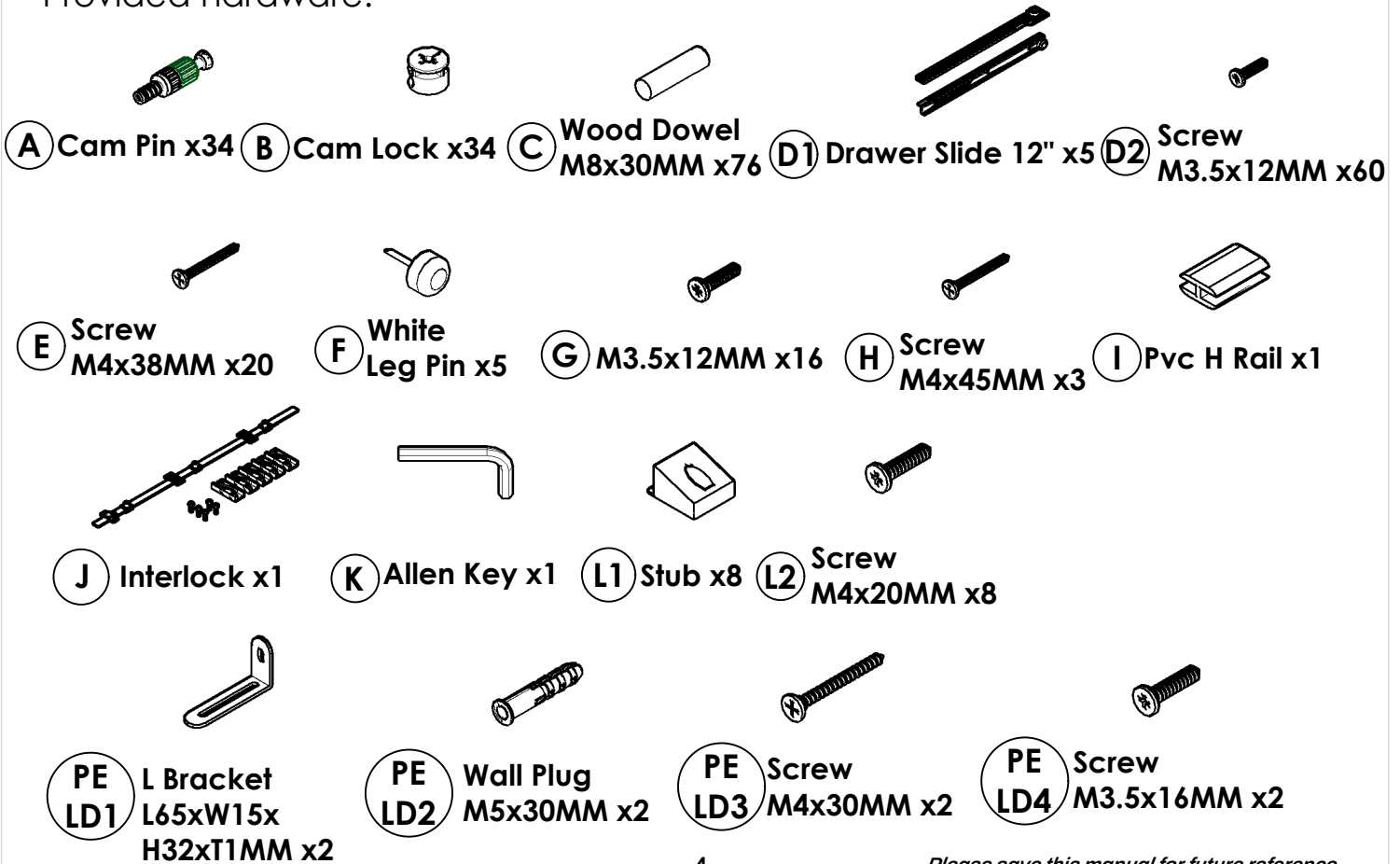


⑰ Bottom Support Panel x1

Furniture components:

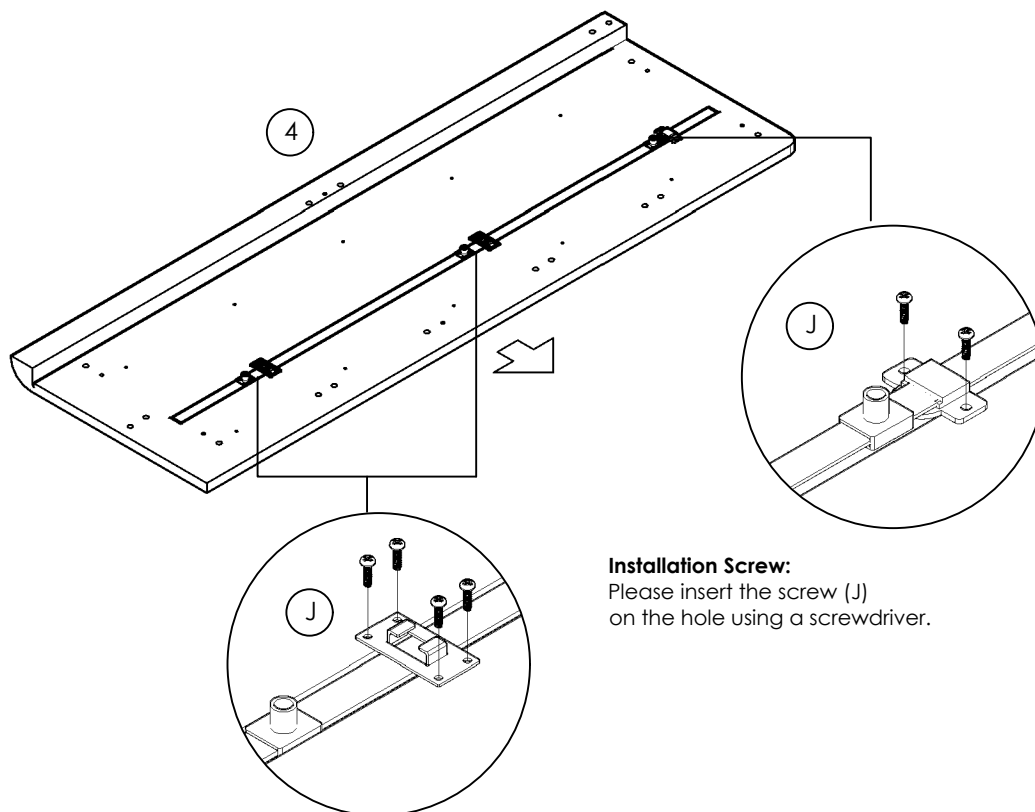
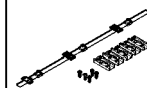


Provided hardware:



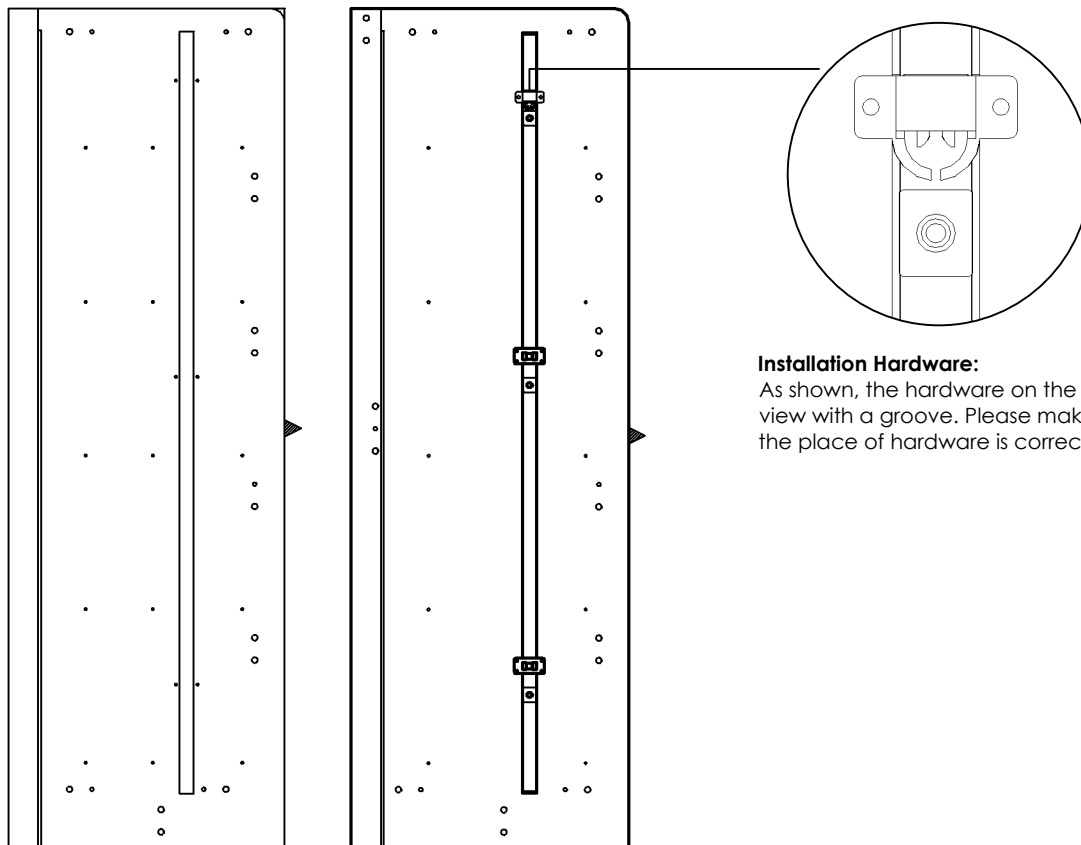
Step 1

(J) x1



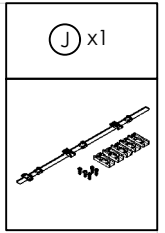
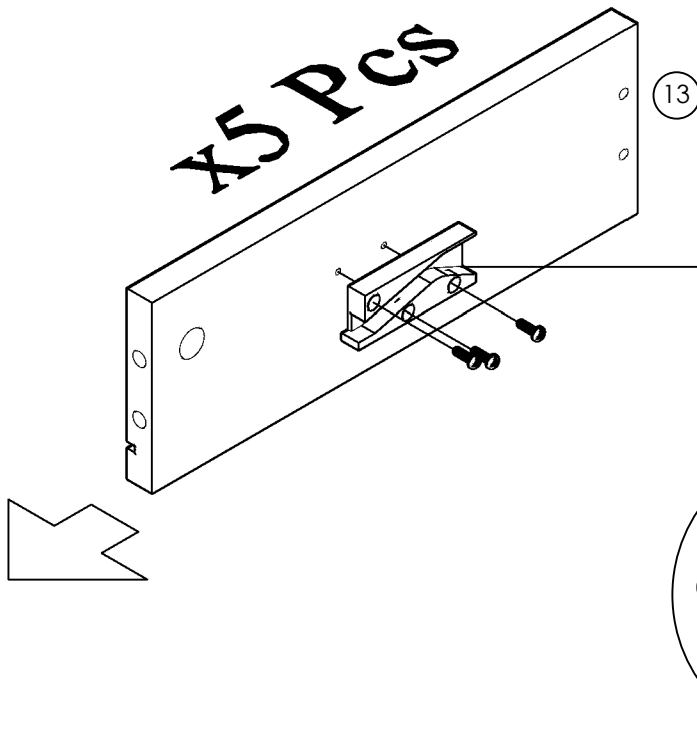
Installation Screw:
Please insert the screw (J)
on the hole using a screwdriver.

Front View:



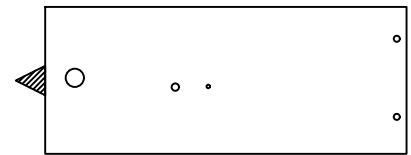
Installation Hardware:
As shown, the hardware on the front
view with a groove. Please make sure
the place of hardware is correct .

Step 2

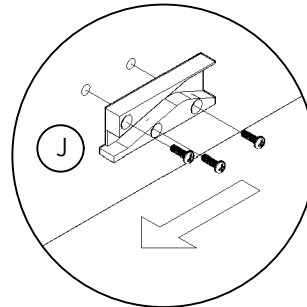


Front View:

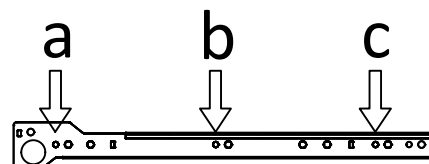
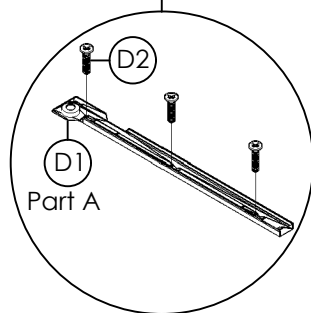
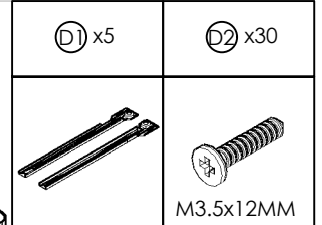
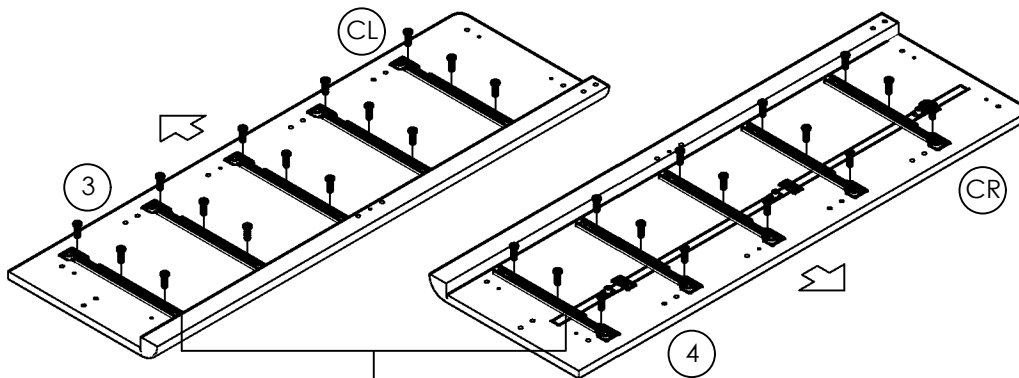
Edging



Right View



Step 3



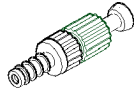


Screw in hole a, b and c

CL for panel (3)

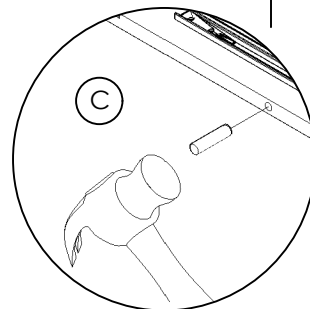
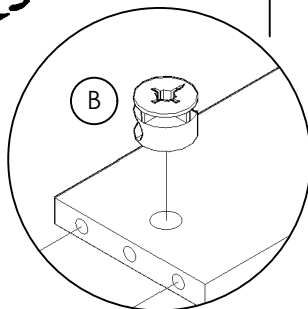
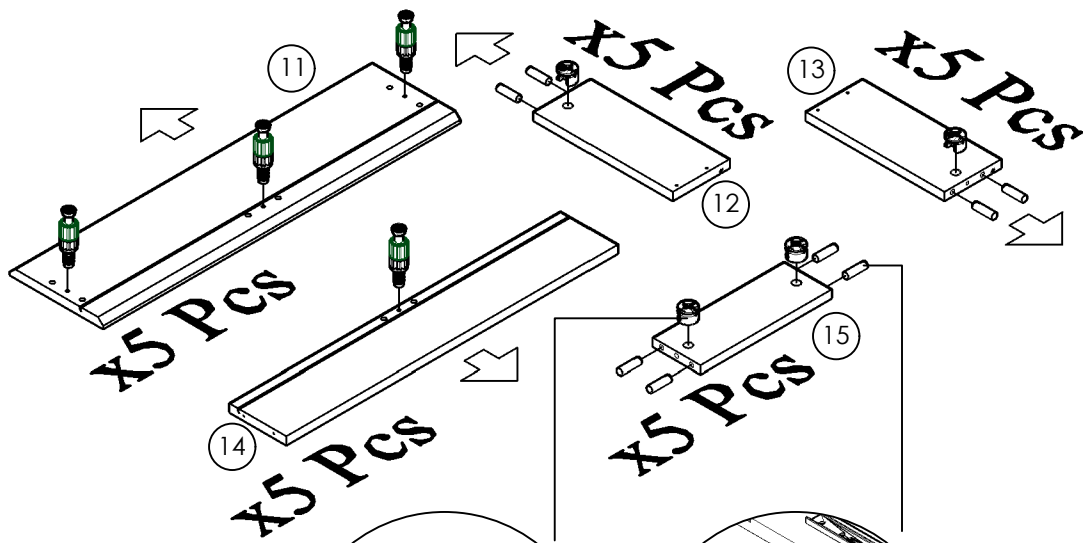
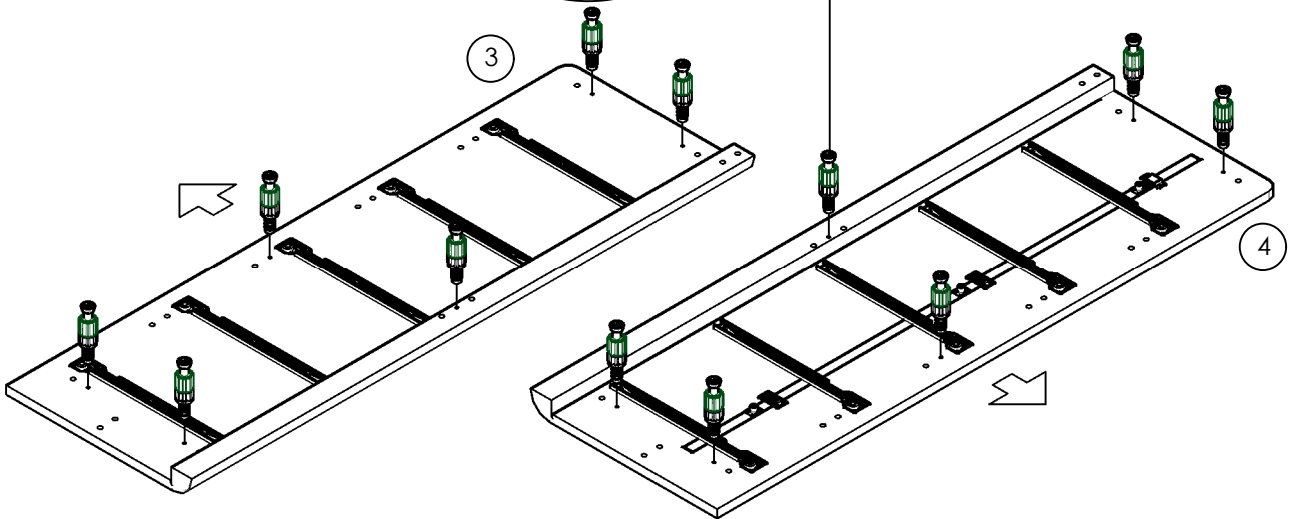
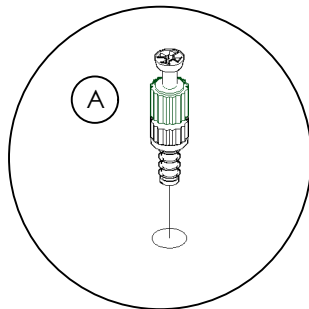
CR for panel (4)

Note: Please find the CL and CR steel seals on the tracks.

Step 4

(A) x32	(B) x20	(C) x40
		

Installation Cam Pin:
Please insert the screw
on panel using a screwdriver.



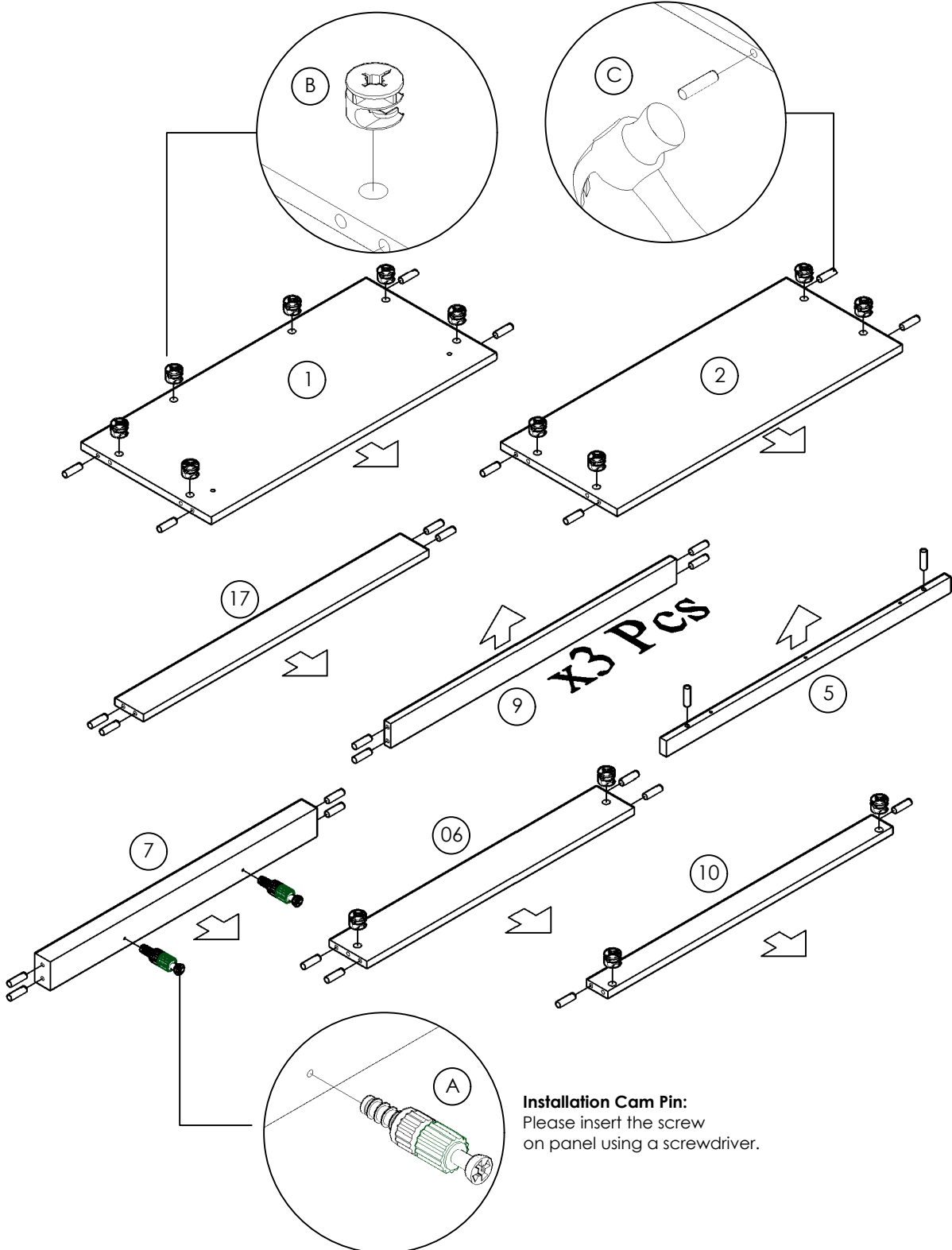
Installation Hardware:
As Shown, Please using the hammer to insert the
camlock(B) and wood dowel(C) into hole of panel.

Step 5

(A) x2	(B) x14	(C) x36

Installation Hardware:

As Shown, Please using the hammer to insert the cam lock (B) and wood dowel(C) into hole of panel.





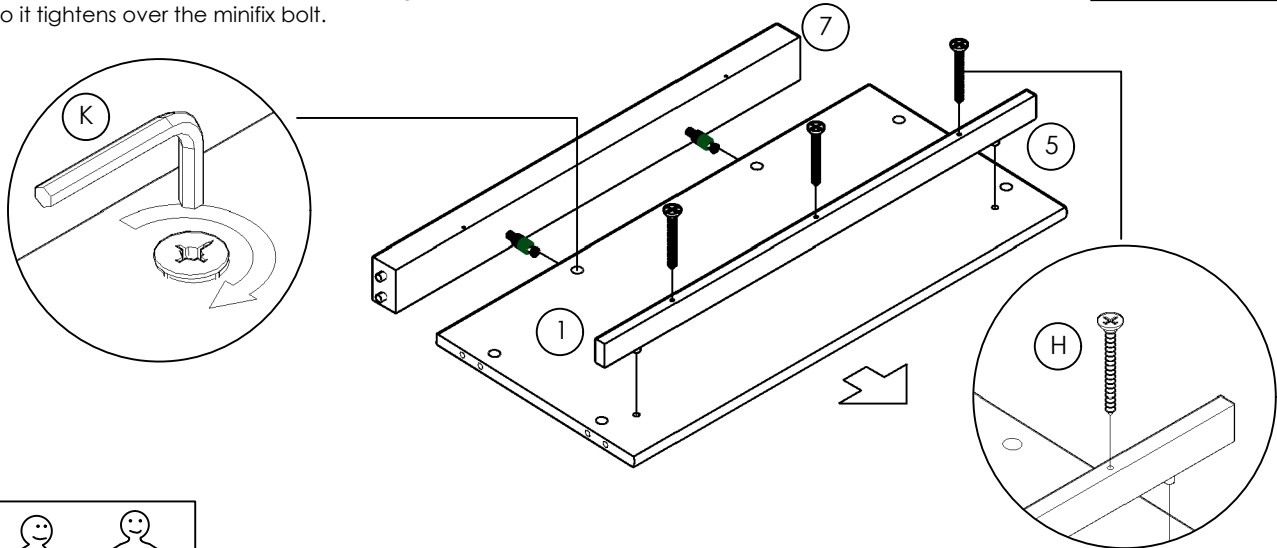
Installation Cam Pin:
Please insert the screw on panel using a screwdriver.

Step 6

Installation:

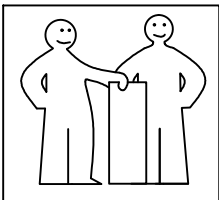
As shown, the head of minifix housing goes into the open mouth of the minifix bolt. Use Allen Key then turn the minifix housing so it tightens over the minifix bolt.

(H) x3	(K) x1
	
M4x45MM	





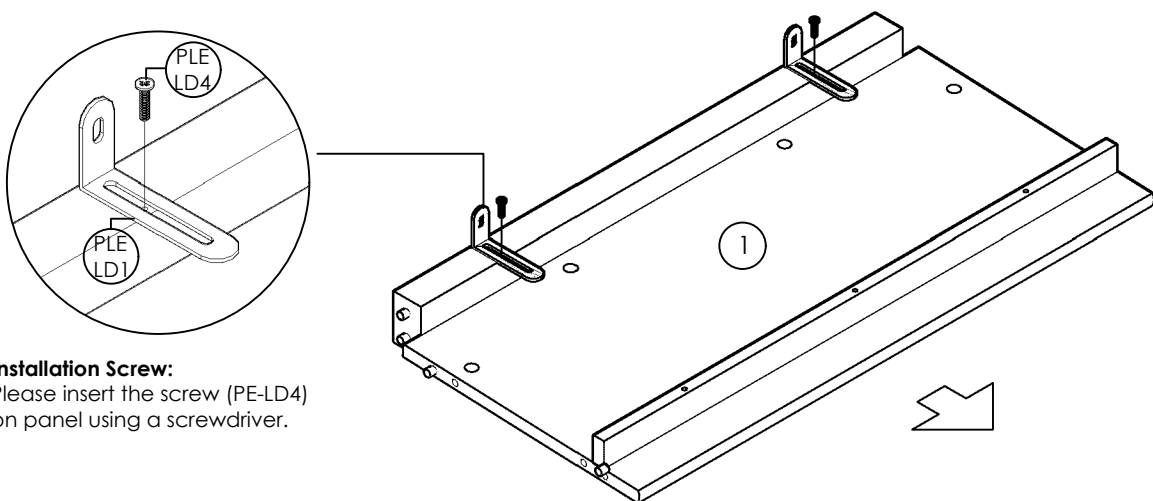
Installation Screw:

Please insert the screw (H) on the hole using a screwdriver.



Step 7

(PDE LD1) x2	(PDE LD4) x2
	
	M3.5x16MM

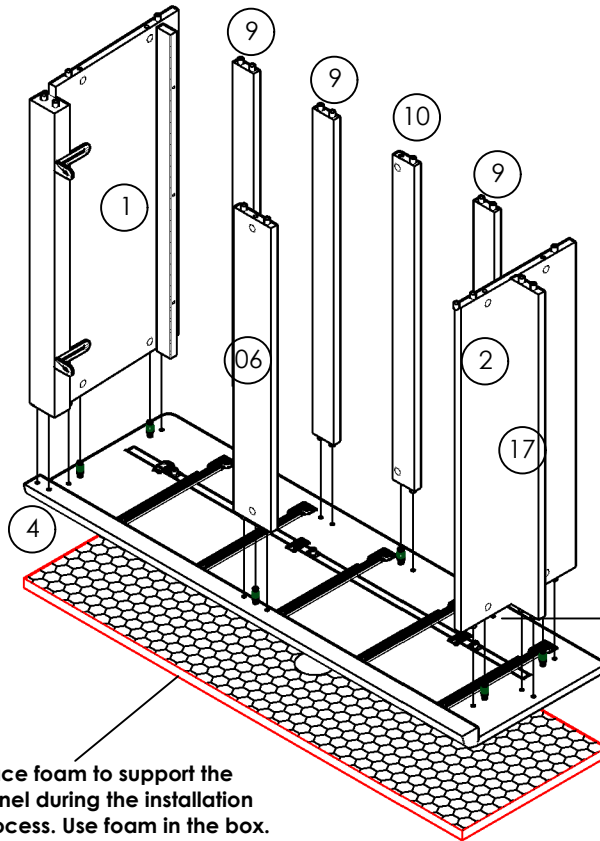


Installation Screw:

Please insert the screw (PE-LD4) on panel using a screwdriver.

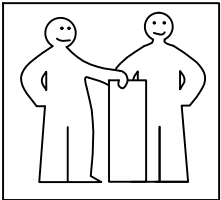
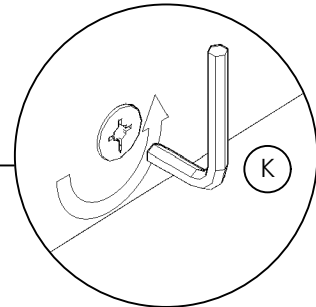
Step 8

(K) x1



Installation:

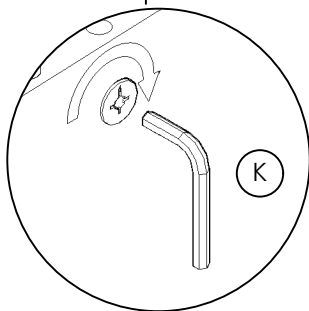
As shown, the head of minifix housing goes into the open mouth of the minifix bolt. Use Allen Key then turn the minifix housing so it tightens over the minifix bolt.



Place foam to support the panel during the installation process. Use foam in the box.

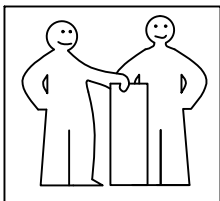
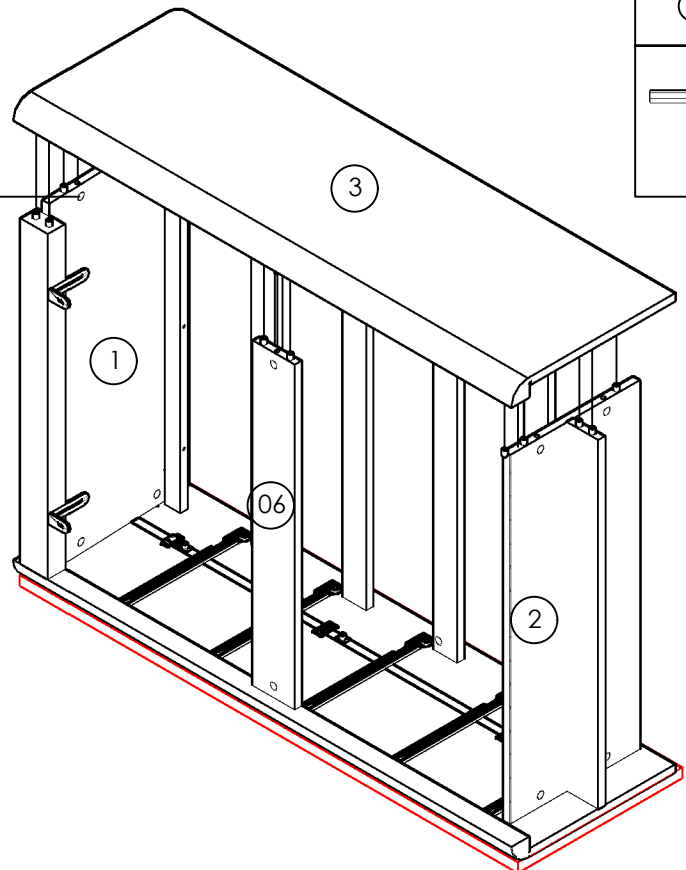
Step 9

(K) x1



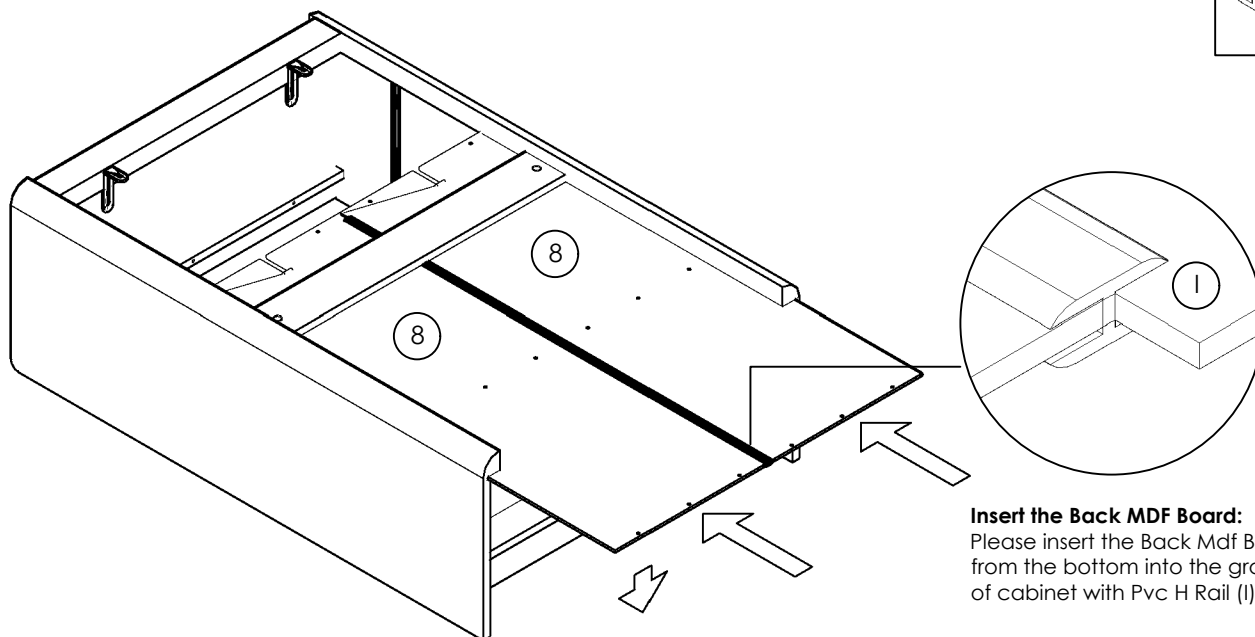
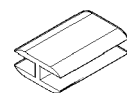
Installation:

As shown, the head of minifix housing goes into the open mouth of the minifix bolt. Use Allen Key then turn the minifix housing so it tightens over the minifix bolt.



Step 10

Ⓛ x1



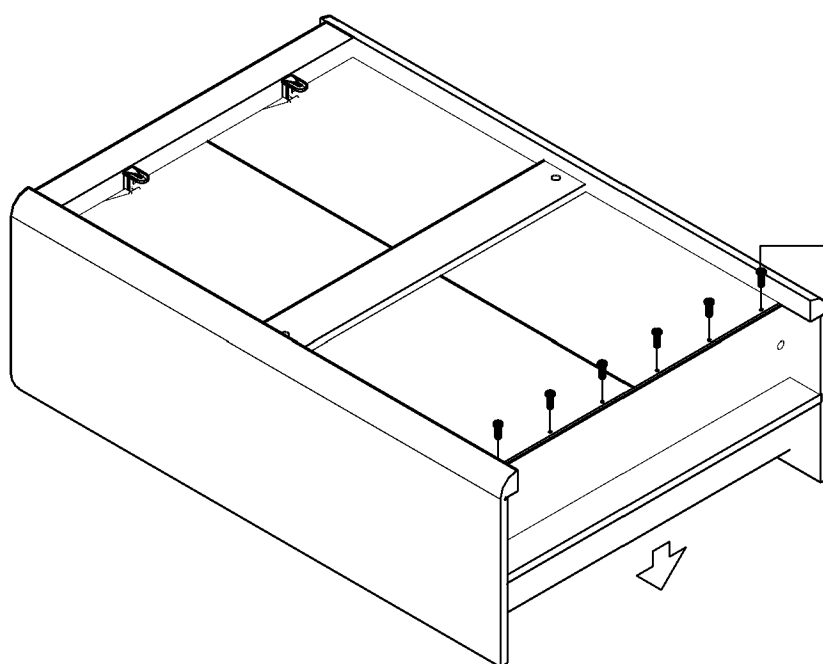
Insert the Back MDF Board:
Please insert the Back Mdf Board from the bottom into the groove of cabinet with Pvc H Rail (I).

Step 11

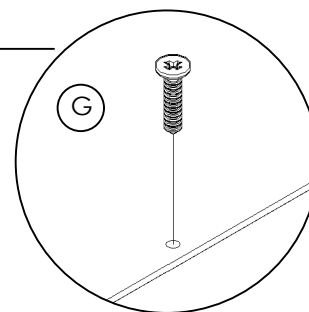
ⓐ x6



M3.5x16MM

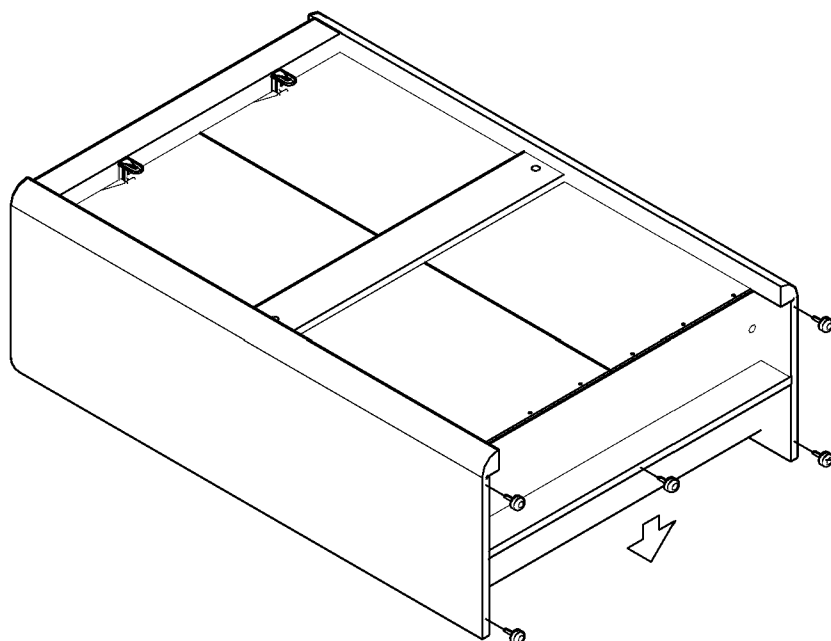


Installation Screw:
Please insert the screw (G) into the holes using a screwdriver.



Step 12

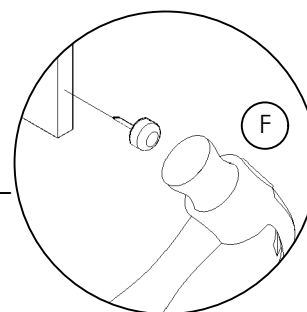
(F) x5



Insert Hardware

Attach to Wooden Leg: As Shown White Leg Pin (F) attach to wooden leg.

Use Hammer for Insertion: Gently tap with a hammer to fully insert the White Leg Pin(F).

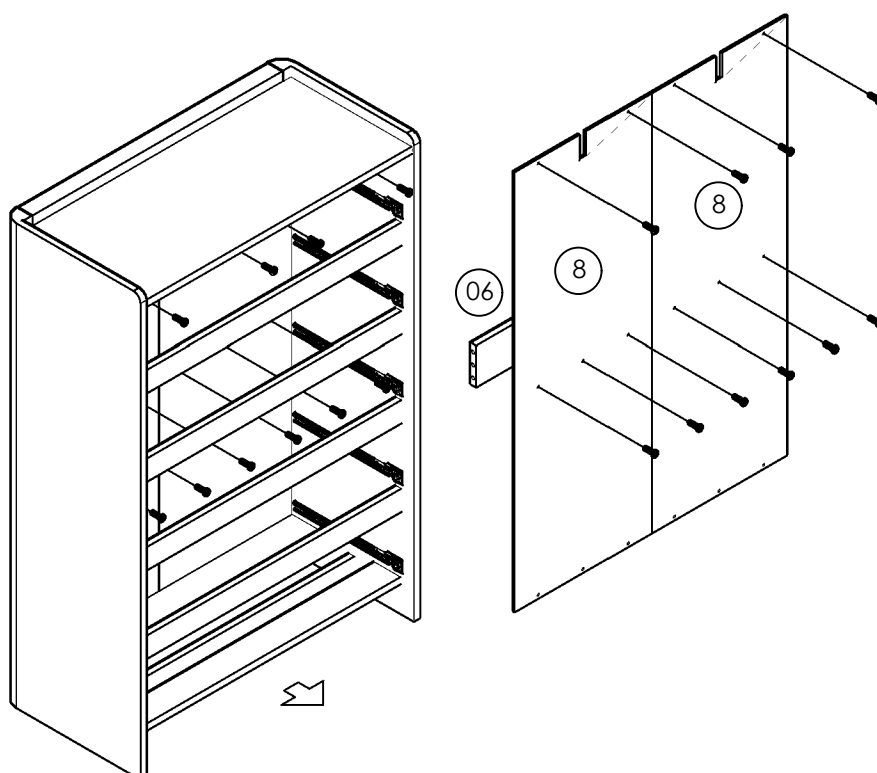


Step 13

(G) x10

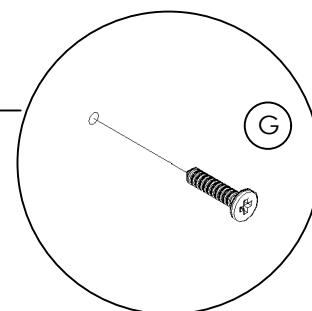


M3.5x16MM

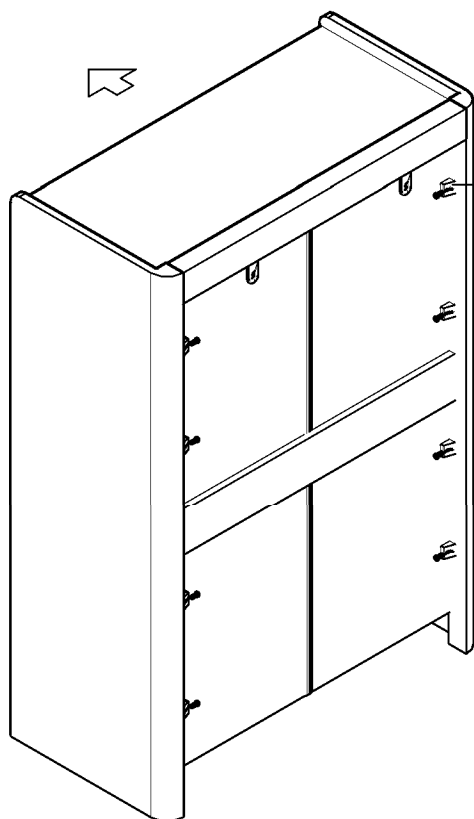


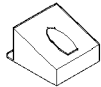

Installation Screw:

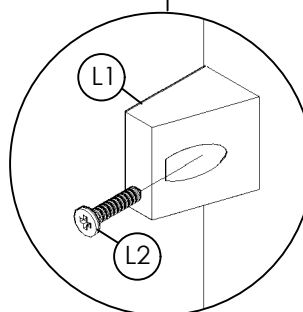
Please insert the screw (G) into the holes using a screwdriver.



Step 14

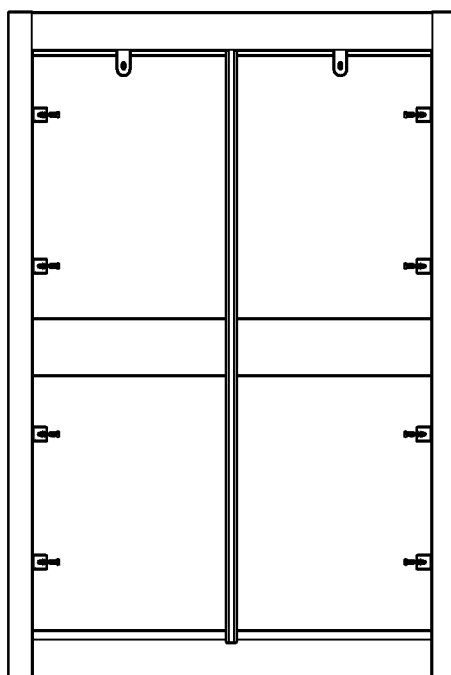


(L1) x8	(L2) x8
	
	M4x20MM

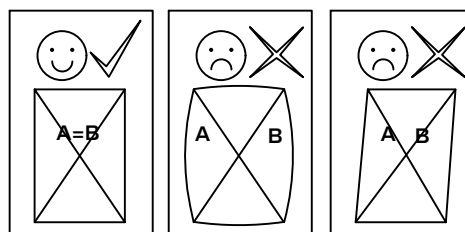


Installation Screw:
Please insert the screw (L2) on the stub (L1) using a screwdriver.

Back view:

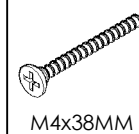


ATTENTION PLEASE:
Please ensure the structure is straight and level and all panels are at right angles before installing the back buckles, **MUST** install back buckles to strengthen product stability.



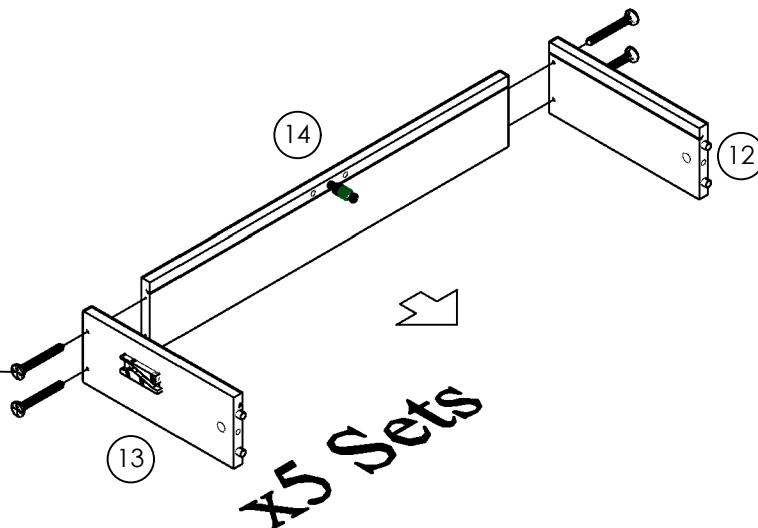
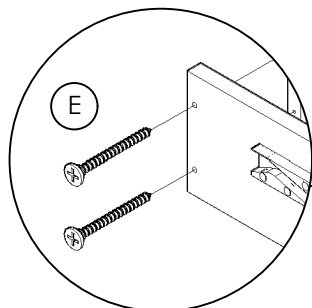
Step 15

(E) x20

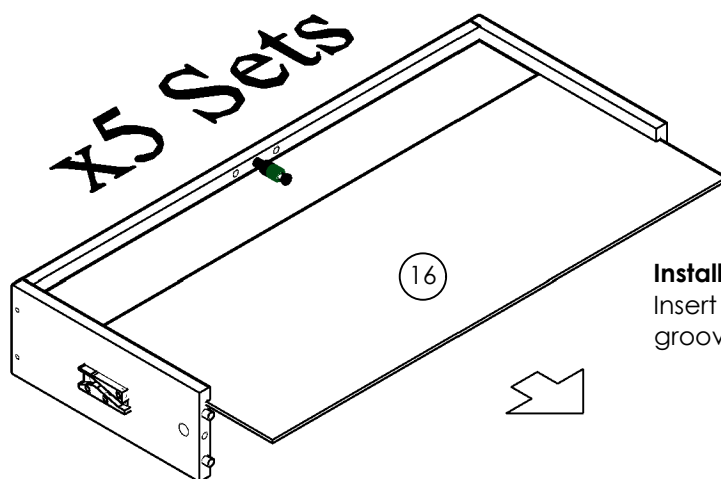


Installation Screw:

Please insert the screw (E) on panel using a screwdriver.




Step 16



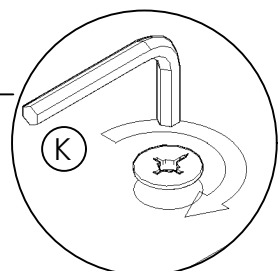
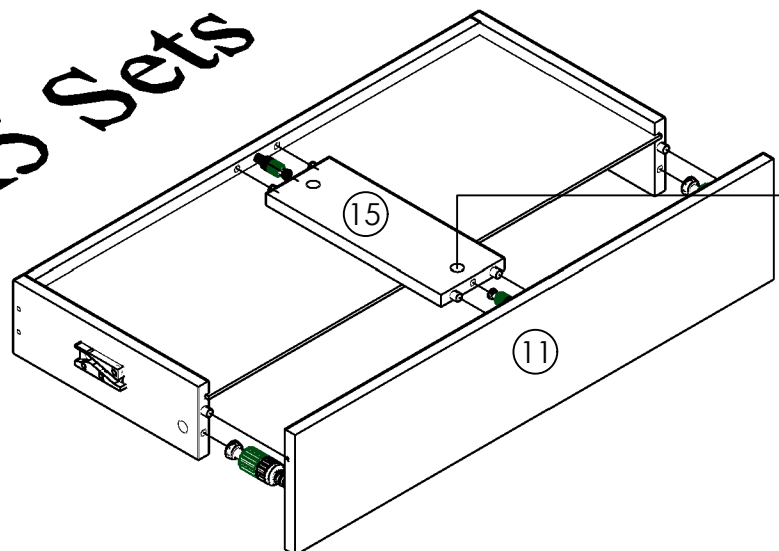
Installing Drawer MDF Board:

Insert Drawer MDF Board into the groove of panel.

Step 17



(K) x1


X5 Sets

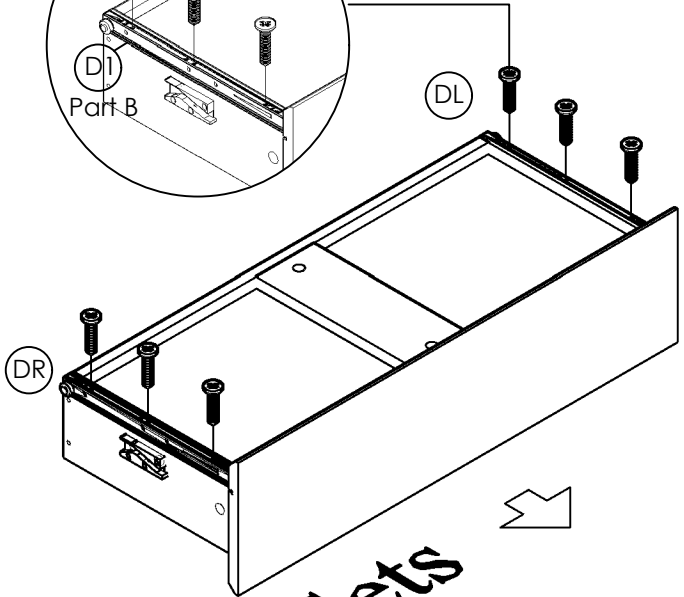
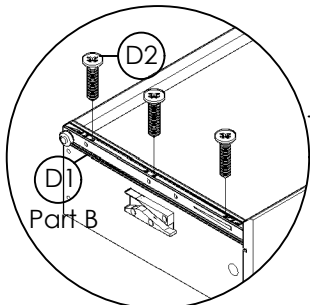


Installation:
As shown, the head of minifix housing goes into the open mouth of the minifix bolt. Use Allen Key then turn the minifix housing so it tightens over the minifix bolt.

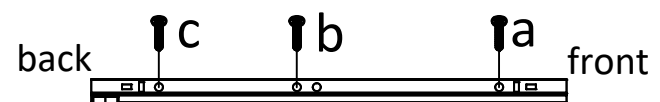
Step 18

(D1) x5	(D2) x30
	
M3.5x12MM	

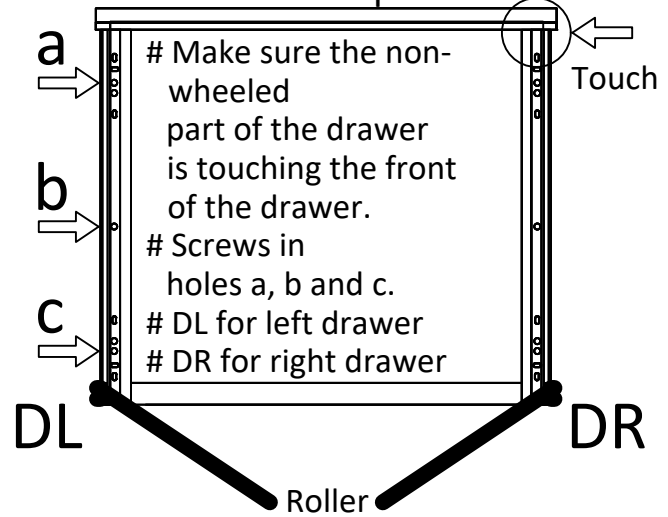
Note: Please find the DL and DR steel seals on the tracks.



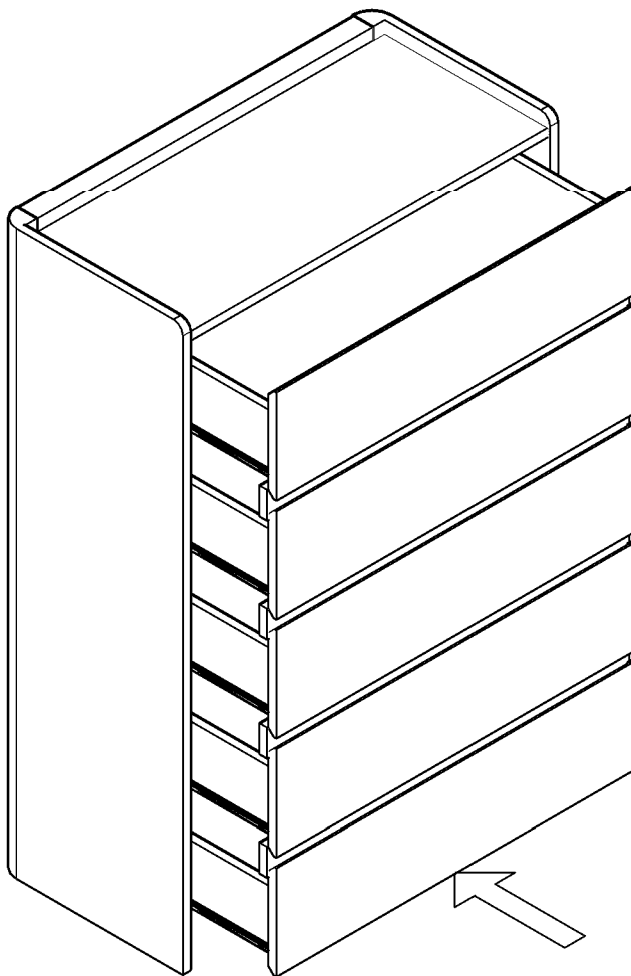
X5 Sets



View for Top Side



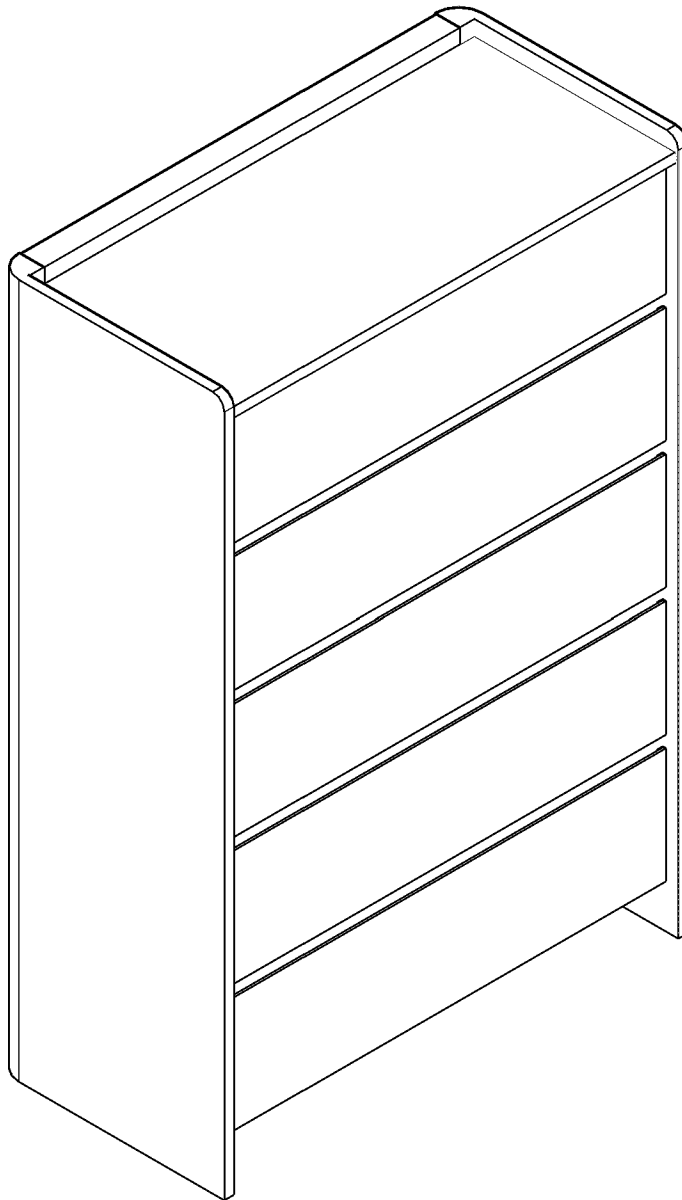
Step 19



Installation Drawer:
Please insert the drawer
into the cabinet.

VOILA!

Now enjoy.



Warning !!!

DO NOT climb, sit or stand on the chest as this may damage the product and cause serious bodily injury.

Something not right?

We are always here to help.

We make mistakes like every human does. Though we always strive to provide the best possible products at competitive prices and the best service in the industry, it's not possible to completely eliminate mistakes. If you experience any dissatisfaction, feel free to contact us immediately. Our in-house customer care team will respond ASAP.

- customerservice@luxenhome.com
Get response within 24 hrs
- 909.548.6688
Mon-Fri 9am-5pm PST/PDT
- www.luxenhome.com/help
Submit a ticket on our website

Things to do to expedite the process

- Have your order# ready
- Take photos/videos to help us better identify the issues
- DO NOT throw away the packaging

Happy with our product?

Leave us a review

It really help us as a small business

Find the product you purchased on our website (tip: search by SKU) and leave us a review.

Alternatively, you can always return to the marketplace where you purchased it and leave a review there.

Share with others

Our customers look for REAL stuff

- Follow us on IG @luxen.home
- Share your #liveluxen moments



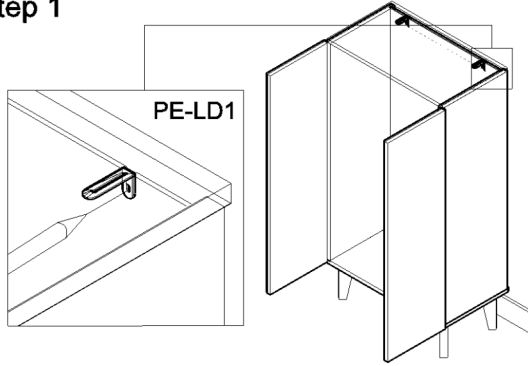
Please save this manual for future reference.

ANTI-TIP DEVICE INSTALLATION INSTRUCTION

Installation Instruction :

To prevent tipping, attach the anti-tip device to a wall stud using the enclosed 2" screw.

Step 1

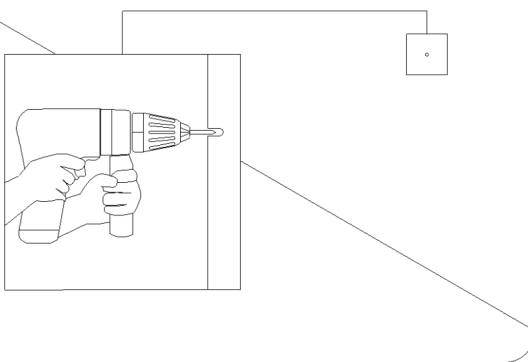


Step 1 : Position and Mark

Place the cabinet against the wall and open door. At the top of the back panel, locate the **pre-installed anti-tip kit**.

Using a pen or pencil, **mark the screw hole position on the wall** through the hole on the anti-tip bracket.

Step 2



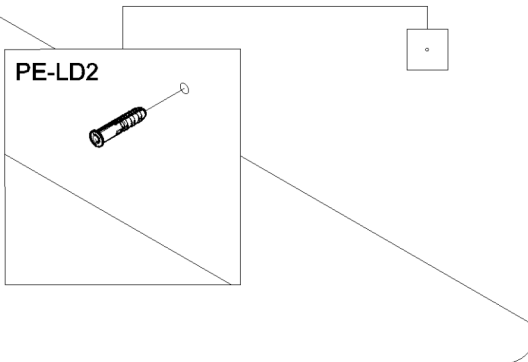
Step 2 : Drill the Wall

Move the cabinet slightly away from the wall. Using a **5mm drill bit**, drill holes at the marked positions to a **depth 30mm**.

Step 3 : Insert Wall Plug

Insert the **wall plug (PE-LD2)** into the drilled hole in the wall.

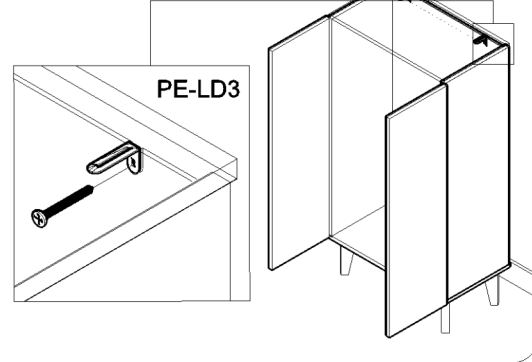
Step 3



Step 4 : Secure the Cabinet

Push the cabinet back to its original position, ensuring the **anti-tip bracket aligns with the wall plug**. Insert the **M4x30 screw (PE-LD3)** through the bracket and and tighten it securely to **anchor the cabinet to the wall**.

Step 4

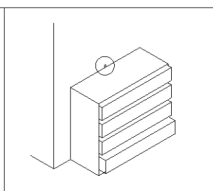
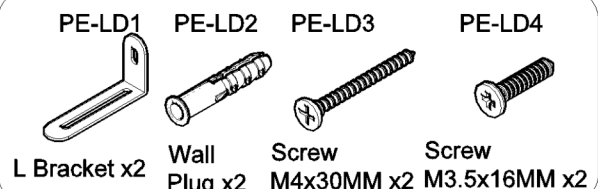


WARNING

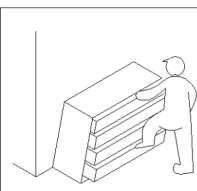
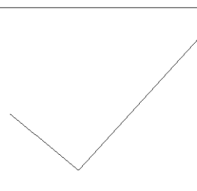
Serious or fatal crushing injuries can occur from furniture tip-over.
ALWAYS secure this furniture to wall using tip-over restraints.
To further reduce the risk of serious injury and death from tip-overs:

- Place heaviest items in the lower drawer.
- Do not set TVs or other heavy objects on top this product
- Never let children climb or hang on drawers, doors, or shelves.

Device :



WITH ANTI-TIP



WITHOUT ANTI-TIP