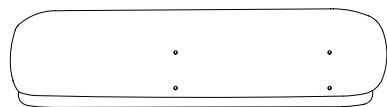
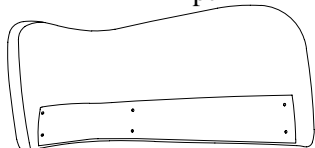


ASSEMBLY INSTRUCTION

<<Before assembling, read all the instruction>>



A x 1 pc



B x 1 pc



C x 1 pc



D x 4 pcs (M8)



F x 6 pcs (M8)
(M8x50mm)



H x 2 pcs



J x 4 pcs
(M8x75mm)



E x 6 pcs
(M8x30mm)



G x 1 pc (5mm)

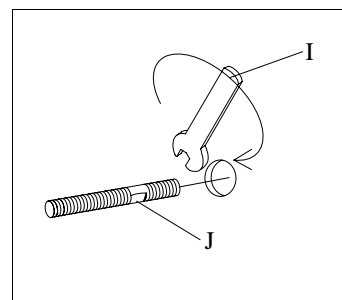
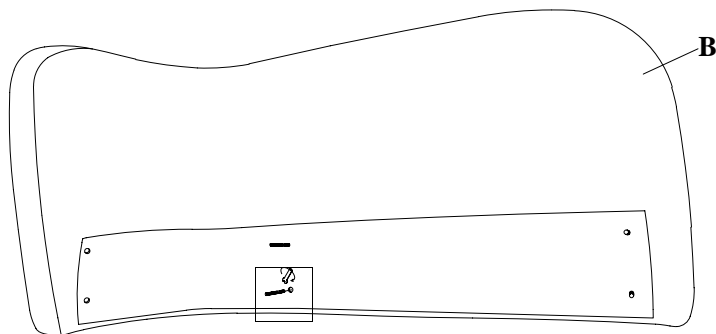


I x 1 pc (6mm)

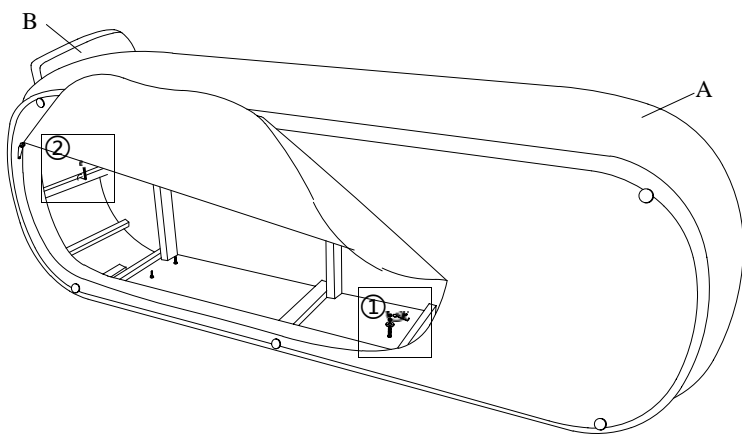


K x 1 pc (14mm)

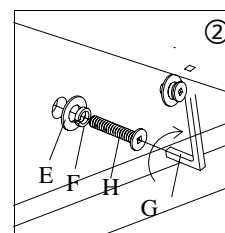
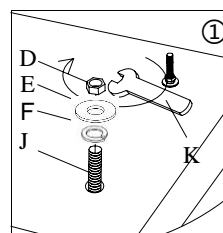
1 Take out the hardwares on the seat.



2



step1 → step2



Please tighten all four bolts of step 1, and then tighten bolts of step 2.

3

