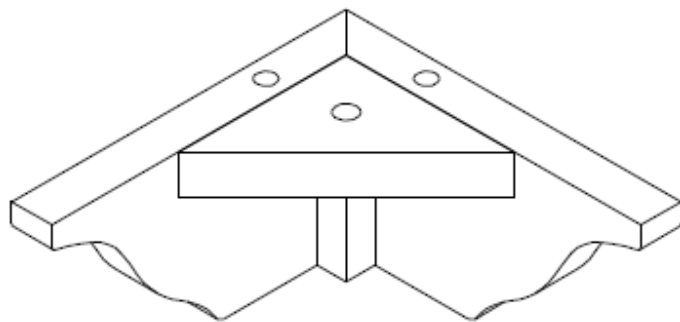
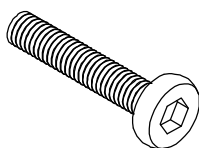
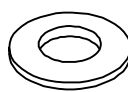

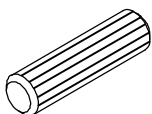


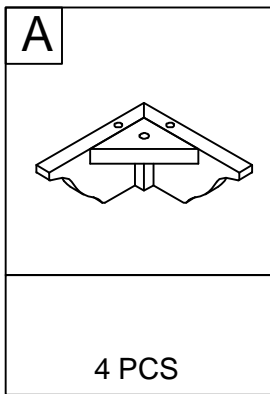
## Classic Leg



# HARDWARE LIST

<div style="border: 1px solid black; padding: 2px; width: 20px; margin: 0 auto; text-align: center;">1</div> 	<div style="border: 1px solid black; padding: 2px; width: 20px; margin: 0 auto; text-align: center;">2</div> 	<div style="border: 1px solid black; padding: 2px; width: 20px; margin: 0 auto; text-align: center;">3</div> 	<div style="border: 1px solid black; padding: 2px; width: 20px; margin: 0 auto; text-align: center;">4</div> 
HEX SOCKET HEAD BOLT 4 PCS	FLAT WASHER 4 PCS	SPRING WASHER 4 PCS	WOOD DOWEL 8 PCS

# PART LIST



step 1. Insert Wood Dowel (4) into two pre-drilled side holes on Classic Leg A. Attach classic leg to cabinet bottom, insert Hex Socket Head Bolt (part#1) with Spring Washer (part#3) and Flat Washer (part#2) through Classic Leg A. Turn bolts clockwise with Allen Wrench until tight.

